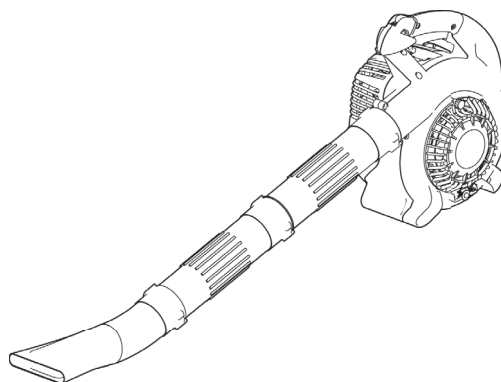




- EN** PETROL BLOWER
- F** SOUFFLEUR À ESSENCE
- D** BENZIN BLASGERÄT
- I** SOFFIATORE A BENZINA
- NL** BENZINE BLADBLAZER
- E** SOPLADOR GASOLINA
- DK** BENZINDREVET BLÆSEAPPARAT
- P** SOPRADOR A GASOLINA

BHX2501



INSTRUCTION MANUAL

(P2~P19)

INSTRUCTIONS D'EMPLOI

(P20~P37)

BETRIEBSANLEITUNG

(S38~S55)

MANUALE D'ISTRUZIONI

(P56~P73)

GEbruIKSAANWIJZING

(P74~P91)

MANUAL DE INSTRUCCIONES

(P92~P109)

BRUGSANVISNING

(P110~P127)

MANUAL DE INSTRUÇÕES

(P128~P145)

Important:

Read this instruction manual carefully before putting the Blower into operation and strictly observe the safety regulations! Preserve instruction manual carefully!

Importante:

Lisez attentivement ce manuel utilisateur avant de mettre en route le souffleur et respectez scrupuleusement les consignes de sécurité. Conservez soigneusement ce manuel.

Wichtig:

Lesen Sie diese Betriebsanleitung sorgfältig durch bevor Sie das Blasgerät in Betrieb nehmen und beachten Sie die Sicherheitsvorschriften genau! Bewahren Sie diese Betriebsanleitung sorgfältig auf!

Importante:

Leggere con attenzione il manuale prima di mettere in funzione il soffiatore; le norme di sicurezza vanno rigorosamente rispettate! Conservare il manuale delle istruzioni per l'uso.

Belangrijk:

Lees altijd eerst de veiligheidsvoorschriften aandachtig door en neem deze in acht voordat u de machine in gebruik neemt. Bewaar deze gebruiksaanwijzing zorgvuldig.

Importante:

Lea bien este manual antes de poner el soplador en funcionamiento, y observe estrictamente las medidas de seguridad. Conserve este manual de instrucciones.

Vigtig:

Denne driftsvejledning skal læses omhyggeligt igennem, inden blæseapparatet tages i drift og man skal være særlig opmærksom på de enkelte sikkerhedsforskrifter! Opbevar denne driftsvejledning omhyggeligt!

Importante:

Leia cuidadosamente este manual de instruções antes de colocar o soprador em funcionamento e observe estrictamente as normas de segurança. Guarde o manual de instruções.

Thank you very much for selecting the Makita blower. We are pleased to be able to offer you the Makita blower which is the result of a long development programme and many years of knowledge and experience.

The blower models BHX2501 combines the advantages of state-of-the-art technology with ergonomic design. They are of light weight handy, compact and represent professional equipment for a great variety of applications.

Please read, understand and follow this booklet which refers in detail to the various points that will demonstrate its outstanding performance. This will assist you to safely obtain the best possible results from your Makita Blower.



Table of contents

	Page
SYMBOLS.....	2
SAFETY INSTRUCTIONS	3
EC DECLARATION OF CONFORMITY	6
SPECIFICATIONS	6
DESIGNATION OF PARTS	7
ASSEMBLY INSTRUCTIONS	8
BEFORE START OF OPERATION	9
OPERATION	11
ADJUSTMENT OF IDLING.....	12
OPERATION METHOD.....	13
INSPECTION AND MAINTENANCE	15
STORAGE.....	17
TROUBLESHOOTING	19

SYMBOLS

It is very important to understand the following symbols when reading this instructions manual.

	WARNING/DANGER		Fuel (Gasoline)
	Read, Understand and Follow Instruction Manual		Engine-manual Start
	Forbidden		Emergency Stop
	No Smoking		First Aid
	No Open Flame		Recycling
	Protective Gloves must be Worn		Recycling
	Keep the Area of Operation Clear of All Persons and Pets		ON/START
	Wear Eye and Ear Protection		OFF/STOP
	Keep bystanders away		Severing of fingers or hand, impeller blade
			CE-Mark

SAFETY INSTRUCTIONS

General Instructions

- To ensure correct and safe operation, the user must read, understand and follow this instruction manual to assure familiarity with the handling of the blower (1). Users insufficiently informed will risk danger to themselves as well as others due to improper handling.
- It is recommended only to loan the blower to people who have proven to be experienced with blowers.
- Always hand over the instruction manual.
- First-time users should ask the dealer for basic instructions to familiarize oneself with the handling of a blower.
- Children and young persons aged under 18 years must not be allowed to operate the blower. Persons over the age of 16 years may however use the tool for the purpose of being trained only while under the direct supervision of a qualified trainer.
- Use blowers with the utmost care and attention.
- Operate the blower only if you are in good physical condition.
- Perform all work conscientiously and carefully. The user has to accept responsibility for others.
- Never use the blower while under the influence of alcohol or drugs (2).
- Do not use the unit when you are tired.
- Save these instructions for future referral.

Personal Protective Equipment

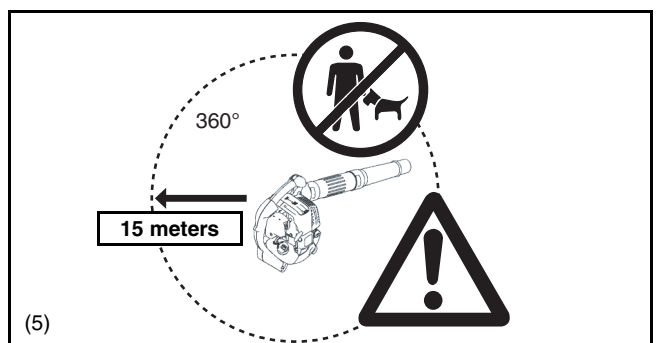
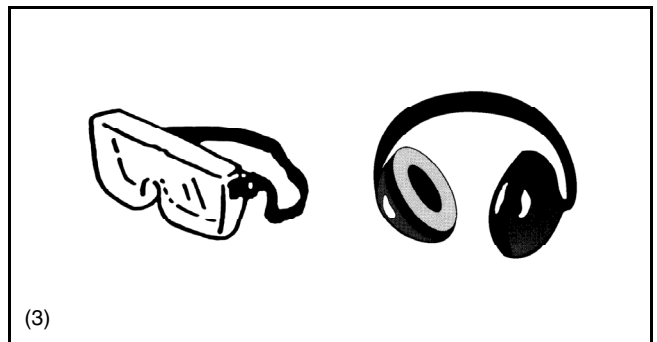
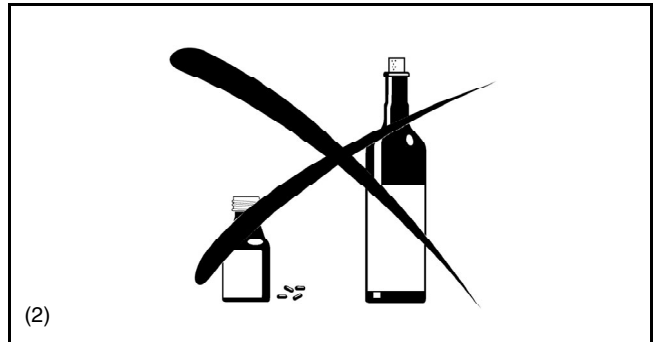
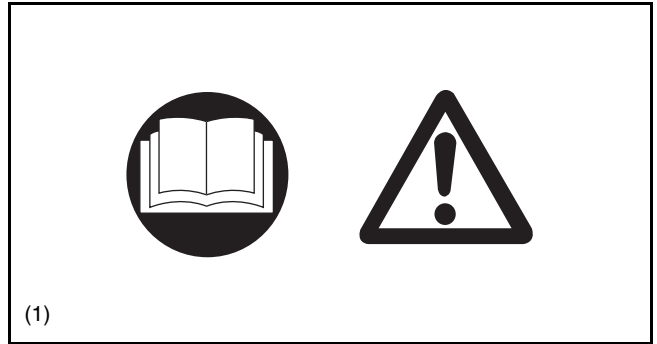
- The clothing worn should be functional and appropriate, i. e. It should be tight-fitting but not cause a hindrance. Do not wear jewelry, clothing or long hair which could be drawn into the air intake.
- In order to avoid head-, eye-, hand- or foot injuries as well as to protect your hearing the following protective equipment and protective clothing must be used during operation of the blower.

Pay particular attention to the following regulations

- Clothing must be sturdy and snug-fitting, but allow complete freedom of movement. Avoid loose-fitting jackets, flared or cuffed pants, scarf, unconfined long hair or anything that could be drawn into the air intake. Wear overalls or long pants to protect your legs. Do not wear shorts. (4)
- Blower noise may damage your hearing. Wear sound barriers (ear plugs or ear muffs) to protect your hearing. Continual and regular users should have their hearing checked regularly. (3)
- Use of gloves when working with the blower is recommended. Good footing is most important. Wear sturdy shoes with non slip soles. (4)
- Proper eye protection is a must. Even though the discharge is directed away from the operator, ricochets and bounce backs can occur during blower operation. (3)
- Never operate a blower unless wearing goggles or properly fitted safety glasses with adequate top and side protection which comply with ANSI Z 87. 1 (or your applicable national standard).

Starting up the blower

- Please make sure that there are no children or other people within a working range of 15 meters (5), also pay attention to any animals in the working vicinity. Never use the blower in urban areas.
- Before operating, always check that the blower is safe for operation: Check the security of the throttle lever. The throttle lever should be checked for smooth and easy action. Check for proper functioning of the throttle lever lock. Check for clean and dry handles and test the function of the I-O switch. Keep handles free of oil and fuel.



Start the Blower only in accordance with the instructions.
Do not use any other methods for starting the engine (6) !

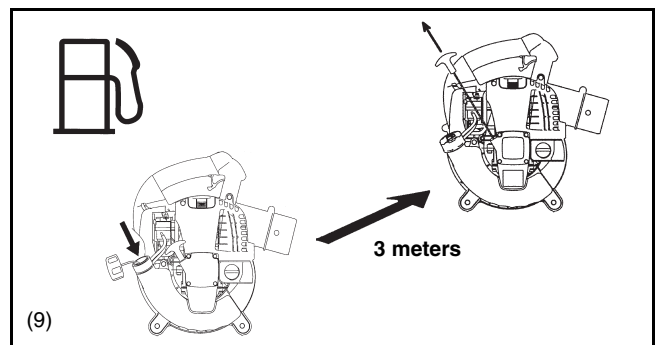
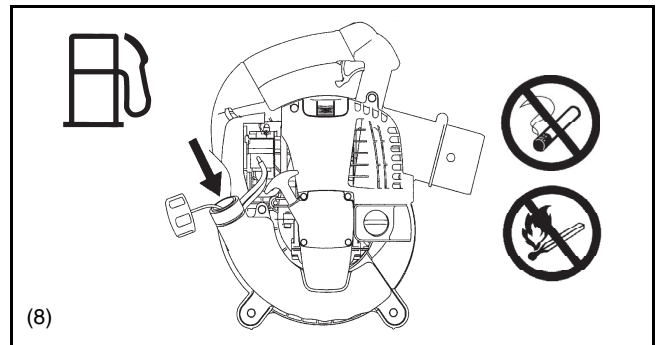
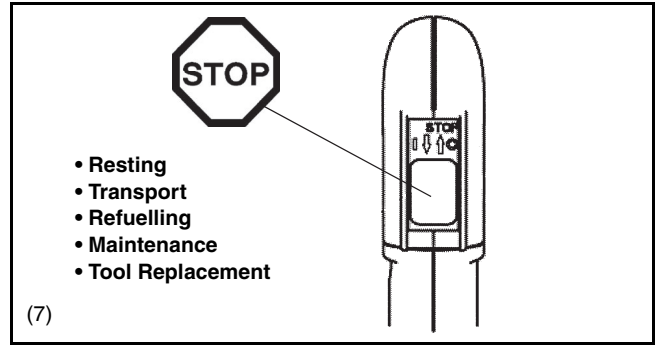
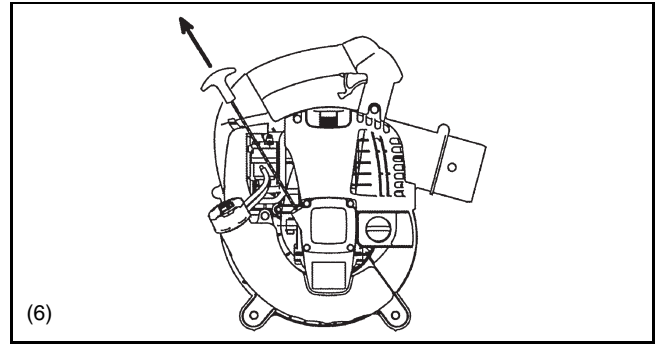
- Use the blower and the tools supplied only for applications specified.
- Start the blower engine only after the entire tool has been assembled. Operation of the tool is permitted only after all the appropriate accessories are attached.
- The engine is to be switched off immediately if there are any engine problems.
- When working with the blower, always wrap your fingers tightly around the handle, keeping the control handle cradled between your thumb and forefinger. Keep your hand in this position to have your machine under control at all times. Make sure your control handle (and grip for vacuum attachment) are in good condition and free of moisture, pitch, oil or grease.

Always ensure a safe, well-balanced footing.

- Operate the blower in such a manner as to avoid inhalation of the exhaust gases. Never run the engine in enclosed rooms (risk of suffocation and gas poisoning). Carbon monoxide is an odorless gas. Always ensure there is adequate ventilation.
- Switch off the engine when resting and when leaving the blower unattended. Place it in a safe location prevent danger to others, setting fire to combustible materials, or damage to the machine.
- Never lay the hot blower onto dry grass or onto any combustible materials.
- All protective parts and guards supplied with the machine must be used during operation.
- Never operate the engine with a faulty exhaust muffler.
- Shut off the engine during transport (7).
- Position the blower safely during car or truck transportation to avoid fuel leakage.
- When transporting the blower, ensure that the fuel tank is completely empty.

Refuelling

- Shut off the engine during refuelling (7), keep well away from open flame (8) and do not smoke.
- Avoid skin contact with petroleum products. Do not inhale fuel vapor. Always wear protective gloves during refuelling. Change and clean protective clothing at regular intervals.
- Take care not to spill either fuel or oil in order to prevent soil contamination (environmental protection). Clean the blower immediately after fuel has been spilt. Allow wet cloths to dry before disposing in properly covered container to prevent spontaneous combustion.
- Avoid any fuel contact with your clothing. Change your clothing immediately if fuel has been spilled on it (fire hazard).
- Inspect the fuel cap at regular intervals making sure that it stays securely fastened.
- Carefully tighten the locking screw of the fuel tank. Change locations to start the engine (at least 3 meters away from the place of refuelling) (9).
- Never refuel in closed rooms. Fuel vapors accumulate at ground level (risk of explosions)
- Only transport and store fuel in approved containers. Make sure stored fuel is not accessible to children.
- Do not attempt to refuel a hot or a running engine.



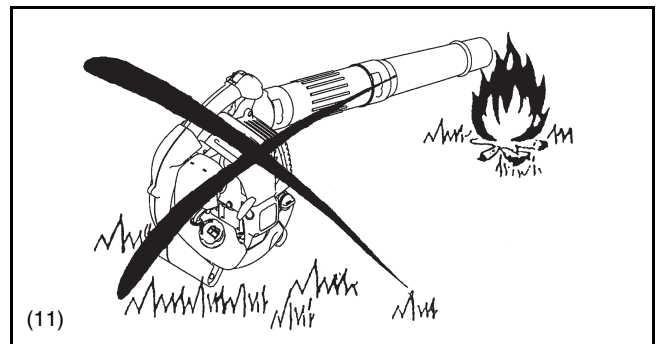
Method of operation

- Use the blower only in good light and visibility. During cold seasons beware of slippery or wet areas, ice and snow (risk of slipping). Always ensure a safe footing.
- Never work on unstable surfaces or steep terrain.
- To reduce the risk of personal injury, do not direct air blast towards bystanders, since the high pressure of the air flow could injure eyes and could blow small objects at great speed.
- Never insert any foreign object into the air intake of the machine or into the nozzle of the blower. It will damage the fan wheel and may cause serious injury to the operator or bystanders as a result of the object or broken parts being thrown out at high speed.
- Pay attention to the direction of the wind, i.e., do not work against the wind.
- To reduce the risk of stumbling and loss of control, do not walk backward while operating the machine.
- Always shut off the engine before cleaning or servicing the unit or replacing parts.



Maintenance instructions

- Be kind to the environment. Operate the blower with as little noise and pollution as possible. In particular check the correct adjustment of the carburetor.
- Clean the blower at regular intervals and check that all screws and nuts are securely tightened.
- Never service or store the blower in the vicinity of open flames, sparks, etc. (11).
- Always store the blower in a well-ventilated locked room and with an emptied fuel tank.



Observe and follow all relevant accident prevention instructions issued by the trade associations and by insurance companies. Do not perform any modifications to the blower as this will risk your safety.

The performance of maintenance or repair work by the user is limited to those activities as described in this instruction manual. All other work is to be done by Authorized Service Agents.

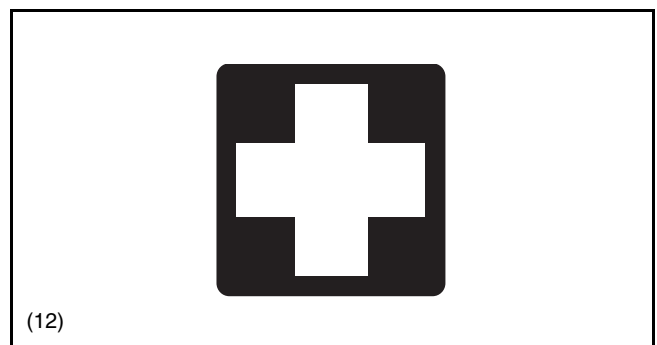
Use only genuine spare parts and accessories supplied by Makita. Use of non-approved accessories and tools means increased risk of accidents and injuries. Makita will not accept any liability for accidents or damage caused by the use of any non-approved attachment or accessories.

First Aid

In case of accident make sure that a well-stocked first-aid kit is available in the vicinity of the operations. Immediately replace any item taken from the first aid kit.

When asking for help, please give the following information:

- Place of accident
- What happened
- Number of injured persons
- Extent of injuries
- Your name



Packaging

The Makita blower is delivered in a protective cardboard box to prevent shipping damage. Cardboard is a basic raw material and is therefore consequently reusable or suitable for recycling (waste paper recycling).



EC DECLARATION OF CONFORMITY

For European countries only

The EC declaration of conformity is included as Annex A to this instruction manual.

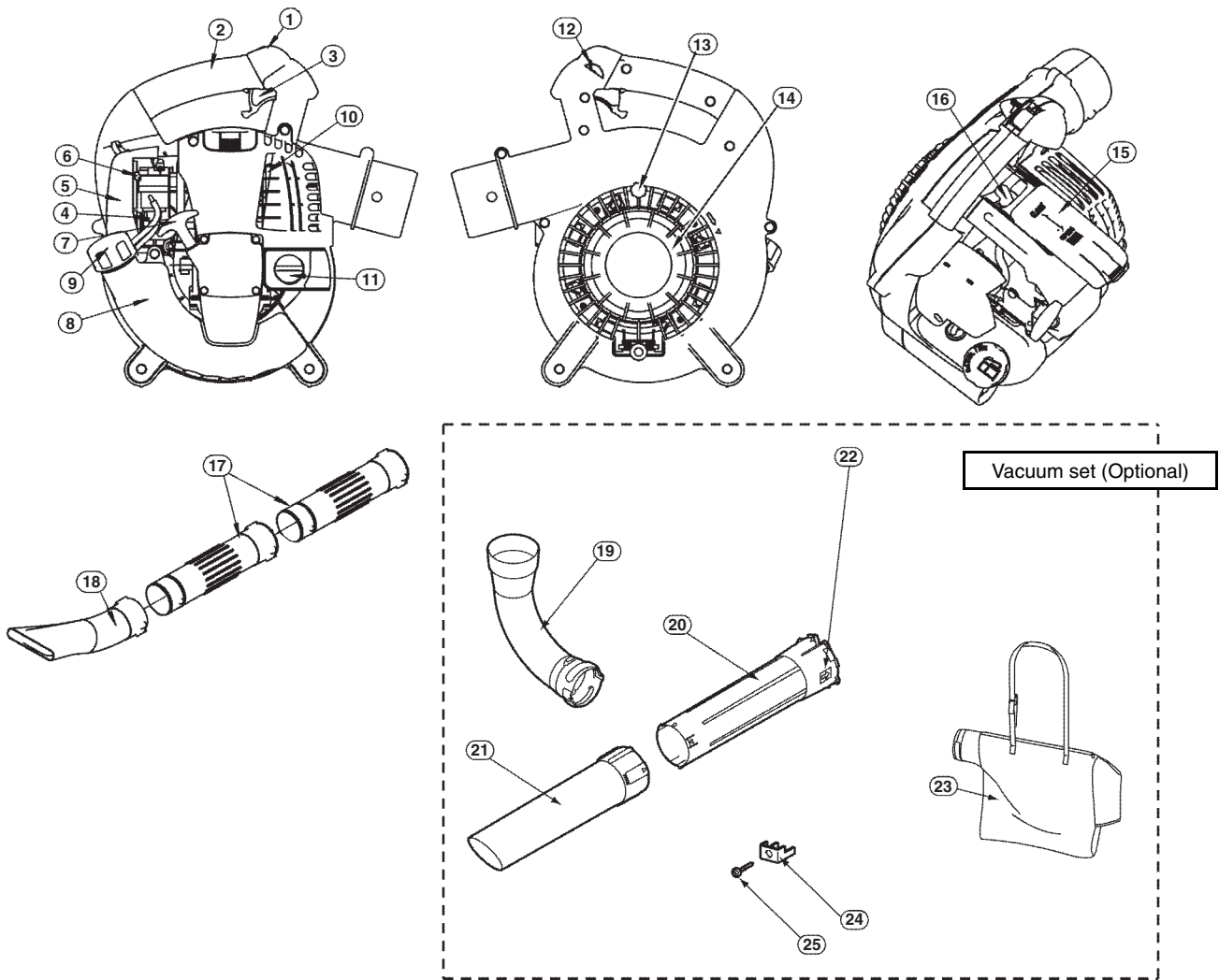
SPECIFICATIONS

Model		BHX2501	BHX2501 with vacuum set	
Mass (without blower pipe)	(kg)	4.5		
Dimension (without blower pipe L x W x H)	(mm)	350 × 231 × 368		
Max. engine speed	(min ⁻¹)	7,800		
Idling speed	(min ⁻¹)	3,500		
Engine displacement	(mL)	24.5		
Fuel		Automobile gasoline		
Fuel tank capacity	(L)	0.52		
Engine oil		SAE 10W-30 oil of API Classification, Class SF or higher (4-stroke engine for automobile)		
Engine oil volume	(L)	0.08		
Carburetor (Diaphragm-carburetor)		WALBRO WYL		
Ignition system		Solid state ignition		
Spark plug		NGK CMR6A		
Electrode gap	(mm)	0.7 - 0.8		
Vibration per ISO22867 (*Left hand/Right hand)	a _{hv eq}	(m/s ²)	9.3	8.1/11.1*
	Uncertainty K	(m/s ²)	0.5	0.5/1.3*
Sound pressure level average to ISO22868	L _{PA eq}	dB(A)	90.8	92.8
	Uncertainty K	dB(A)	1.4	3.8
Sound power level average to ISO22868	L _{WA eq}	dB(A)	104.4	104.3
	Uncertainty K	dB(A)	1.6	1.5

Notes:

1. Use the oil and spark plug specified by Makita.
2. This specification is subject to change without prior notice.

DESIGNATION OF PARTS



DESIGNATION OF PARTS	DESIGNATION OF PARTS	DESIGNATION OF PARTS	DESIGNATION OF PARTS
1. Stop switch	8. Fuel Tank / Assist Handle	15. Plug Cover	22. Arrow Mark
2. Main Handle	9. Fuel Tank Cap	16. Spark Plug	23. Dust Bag
3. Trigger Lever	10. Muffler	17. Blower Tube	24. Bracket
4. Primer Pump	11. Oil Cap	18. Blower Nozzle	25. Screw
5. Air Cleaner Cover	12. Throttle lock button	19. Elbow	
6. Choke Lever	13. Screw	20. Vacuum Pipe A	
7. Starter Handle	14. Protector	21. Vacuum Pipe B	

ASSEMBLY INSTRUCTIONS



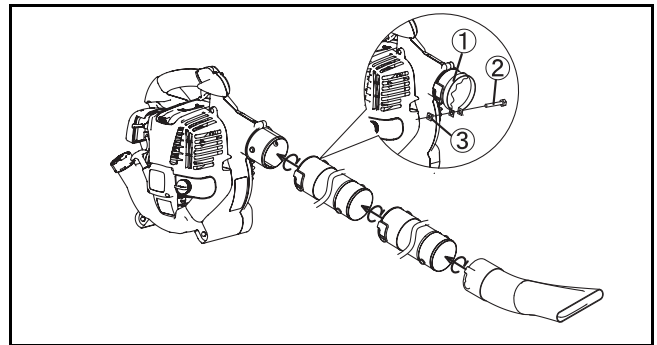
CAUTION : Before performing any work on the blower, always stop the engine and pull the spark plug connectors off the spark plug.

Always wear protective gloves!

CAUTION : Start the blower only after having assembled it completely.

1. ASSEMBLY OF BLOWER PIPES

- 1) Align grooves in the blower pipe with pegs on the blower housing and slide the pipe onto housing.
- 2) Turn the blower pipe clockwise to lock it into place.
- 3) Place clamp ① around the opening of the blower pipe. Fasten securely with bolt ② and nut ③.



2. ASSEMBLY OF VACUUM ATTACHMENT

1) Installing Vacuum pipe (nozzle)

- (1) Loosen the screw ④ and open the protector ⑤.

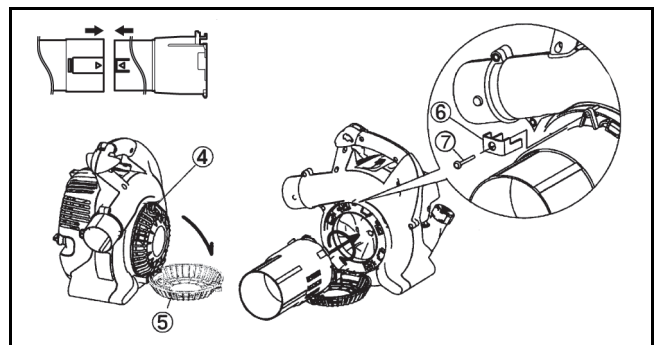


WARNING!

When using the blower for blowing operation, always close the protector ⑤ and tighten the screw ④ before operation. Otherwise the bare impeller may catch your body or clothing and cause serious injury.

Always use the vacuum pipe A and B together. Otherwise contact with the impeller may cause serious injury when the operator attempts to remove jammed debris in the pipe.

- (2) Align “▲” mark on the vacuum pipe A and B. Insert the vacuum pipe A into the vacuum pipe B until three latches snap in.
- (3) Align the ◀ MARK indicated on the vacuum pipe A with the “●” indicated on the blower. Then insert the vacuum pipe into the blower.
- (4) Turn the vacuum pipe until the ◀ MARK is aligned with the “▼” indicated on the blower to lock the vacuum pipe.
- (5) Fasten the vacuum pipe securely to the blower with screw ⑦ and bracket ⑥. Do not tighten the screw too much to avoid parts breakage.



Caution: Do not perform the fastening operation in (5) above if the blower is to be used in a country or region where the CE mark is not applicable.

Note: The engine will not start unless the vacuum pipe is mounted completely.

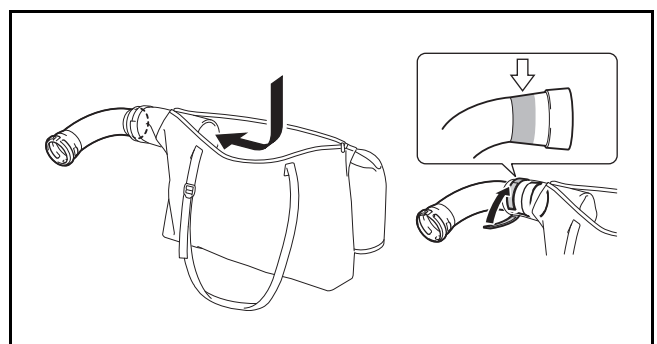
2) Installing Elbow and Dust Bag

- (1) Open the fastener of the dust bag.
- (2) Insert the elbow's railed side into the dust bag, take it out through the bag's entry.
- (3) Fasten the elbow with hook-and-loop fastener around the place indicated in the figure.

CAUTION

Install the dust bag away from railed side of the elbow. If the dust bag is placed near the engine, the exhaust gas may scorch the dust bag.

- (4) Install the elbow on the blower.
- (5) Place clamp ① around the opening of the elbow. Fasten securely with bolt ② and nut ③.

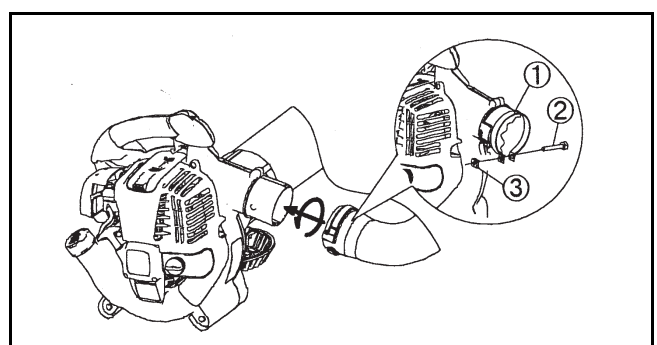


Caution: Do not perform the fastening operation in (5) above if the blower is to be used in a country or region where the CE mark is not applicable.



WARNING!

Do not attempt to pick up large wood chips, metals, glass, stones, liquids, lighted cigarettes, fire works or the like.



BEFORE START OF OPERATION

1. Inspection and Refill of Engine Oil

(1) Perform the following procedure when the engine is cool.

Assure engine is on a flat horizontal surface as shown in Figure 1.

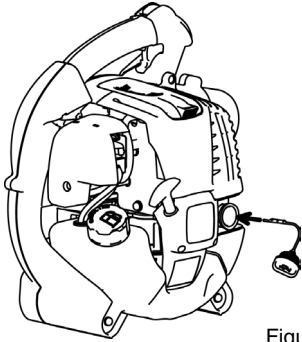
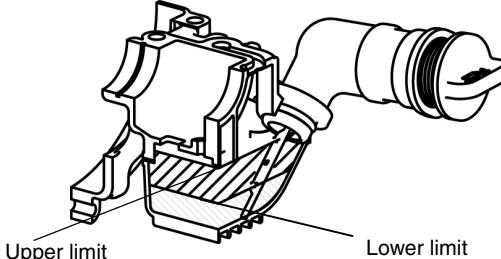
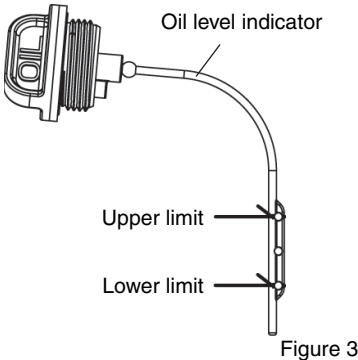
- **Inspection:** Remove the oil cap. Wipe clean the oil level indicator. Reinstall the oil cap (Figure 2) and remove. Confirm if the oil is between the lower or upper limit of the oil indicator.
- **Refill:** After inspection if the oil is below the lower limit add oil through the same opening that the oil cap was removed. See Figure 4 on how to orient the engine to refill the oil.

(2) You may need to refill oil approximately every 10 hours of use (every 10 refuellings).

(3) If the oil changes in color or mixes with dirt, replace the oil. (For the interval and method of replacement, refer to P. 15)

Recommended oil: SAE 10W-30 oil of API Classification, Class SF or higher (4-stroke engine for automobile)

Oil volume: Approx. 0.08 L

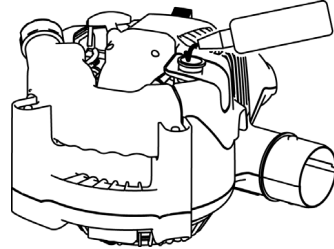
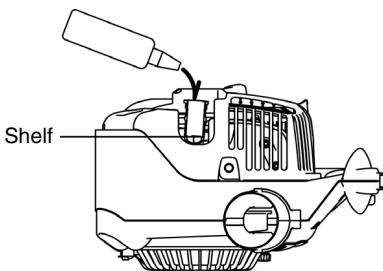
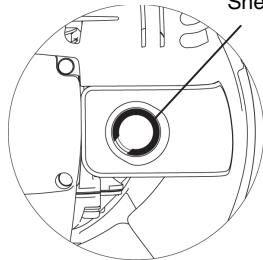
Inspection method of engine oil		
 <p>Figure 1</p>	 <p>Upper limit Lower limit</p> <p>Figure 2</p>	 <p>Oil level indicator</p> <p>Upper limit</p> <p>Lower limit</p> <p>Figure 3</p>

NOTE

- If the engine is not positioned as in Figure 1 on a horizontal surface, an inaccurate indication of oil level may occur.
- If the oil is filled above the limit, oil may be contaminated or may catch fire with white smoke.

Replacement of Oil “Oil Gauge”

- Remove dust or dirt near the oil refill port, and detach the oil gauge.
- Keep the detached oil gauge free of sand or dust. Otherwise, any sand or dust adhering to the oil gauge may cause irregular oil circulation or wear on the engine parts, which will result in troubles.
- As an example to keep the oil gauge clean, it is recommended to insert the oil gauge on its knob side into the engine cover.

 <p>Figure 4</p>	 <p>Shelf</p> <p>Figure 5</p>	 <p>Shelf</p> <p>Figure 6</p>
---	--	--

After refilling oil

- Wipe with a rag any spilled oil.

2. Fuel supply



- When refuelling the unit, be sure to observe the following instructions to prevent ignition or fire:
 - Fuel supply must be made in a place free of fire. Never bring the fire (smoking, etc.) near the place of fuel supply.
 - Stop the engine and allow the engine to cool down before refuelling.
 - Open the fuel tank cap slowly. The fuel may be spilled out under internal pressure.
 - Take care not to spill the fuel. Any spilled fuel must be wiped clean.
 - Carry out fuel supply in a well-ventilated place.
- Handle the fuel with care.
 - Fuel sticking to the skin or entering an eye may cause allergies or irritation. When any physical abnormality is detected, consult the medical specialist immediately.
- DO NOT put oil in the fuel tank.

STORAGE PERIOD OF FUEL

Fuel should be used within a period of 4 weeks, even if it is kept in a special container in a well-ventilated shaded area. If a special container is not used or if the container is not covered, fuel may deteriorate in one day.

Storage of machine and refill tank

- Keep the machine and tank at a cool place free from direct sunshine.
 - Never keep the fuel in a car.
-
-

FUEL

The engine is a four-stroke engine. Be sure to use an automobile gasoline (regular gasoline or premium gasoline).

Points for Fuel

- Never use a gasoline mixture which contains engine oil. Otherwise, it will cause excessive carbon accumulation or mechanical troubles.
 - Use of deteriorated oil will cause irregular startup.
-
-

When refuelling, be sure to stop the engine and confirm that the engine cools down.

REFUELLING METHOD

- Loosen the tank cap a little to release the tank pressure.
- Detach the tank cap, and refuel, discharging air by tilting the fuel tank so that the refuel port will be oriented upward. (DO NOT fill fuel up to the top of the tank.)
- After refuelling, securely tighten the tank cap.
- If there is any flaw or damage on the tank cap, replace it.
- The tank cap wears out in course of time. Replace it every two to three years.
- DO NOT put fuel in the oil fill port.

OPERATION



1. Starting

WARNING

- Never attempt engine start in a place where the fuel has been supplied.
 - If may cause ignition or fire. When starting the engine, keep a distance of at least 3 m.
- Exhaust gas from the engine is toxic. Do not operate the engine in a poorly-ventilated place, such as in a tunnel, building, etc.
 - Operating the engine in the poorly-ventilated place may cause poisoning by exhaust gas.
- In case of detection of any abnormality in sound, odor, vibration after start, stop the engine immediately and carry out inspection.
 - If the engine is operated without attending such abnormality, an accident may occur.
- Confirm that the engine stops when the stop switch is set to "O" position.

1) When the engine is cold or after refuelling

- (1) Set this machine on a flat space.
- (2) Set the stop switch to "I" position (Figure 1).
- (3) Continue to push the primer pump until fuel comes into the primer pump (Figure 2).
 - In general, fuel enters into the carburetor by 7 to 10 pushes.
 - If the primer pump is pushed excessively, an excess of gasoline returns to the fuel tank.
- (4) Lift the choke lever to the closed position (Figure 3).
- (5) Hold the main handle with left hand to prevent the engine from moving.
- (6) Pull out slowly the starter handle till a certain resistance is felt. Return the starter handle backward once from this position, then pull it out with force (Figure 4).
 - Never pull the rope to the full extension.
 - Once the start knob is pulled, never release your hand immediately. Hold the start knob until it returns to its original point.
- (7) When the engine starts, open the choke lever (Figure 5).
 - Open the choke lever progressively while checking the engine operation. Be sure to open the choke lever to the full in the end.
 - In cold or when the engine is cooled down, never open the choke lever suddenly. Otherwise, the engine may stop.
- (8) Continue warm-up operation for 2 to 3 minutes.
- (9) Warm-up is complete when there is quick engine acceleration from low rpm to full throttle.

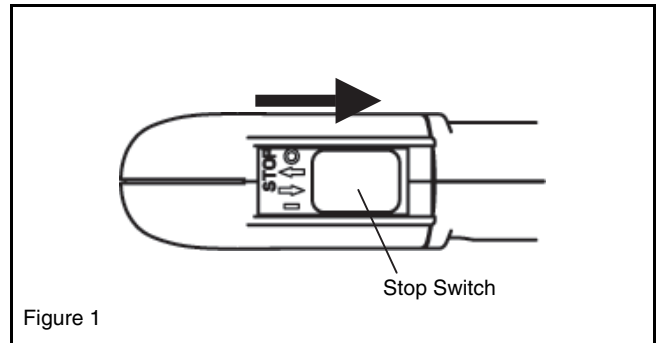


Figure 1

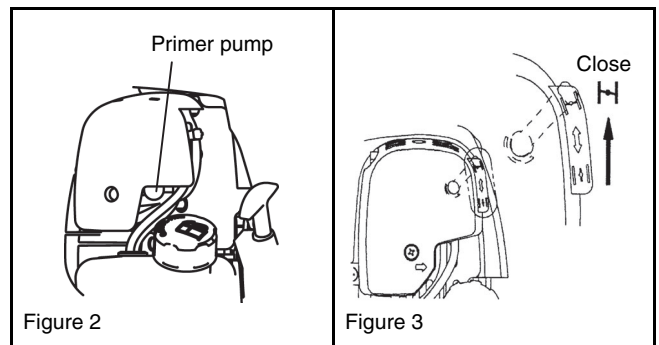


Figure 2

Figure 3

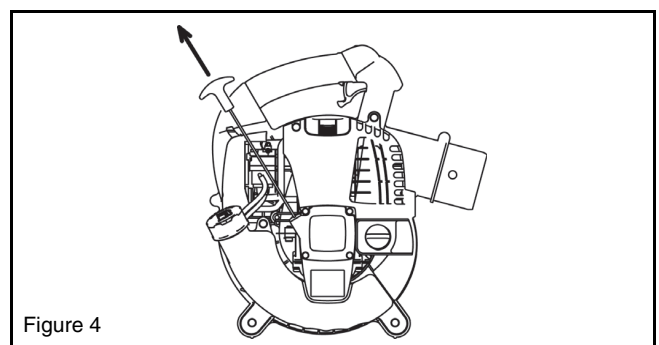


Figure 4

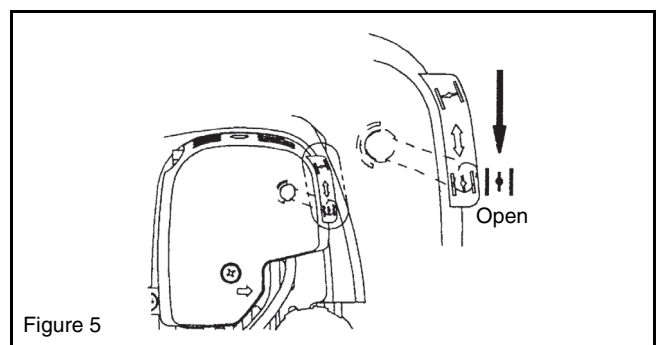


Figure 5

NOTE

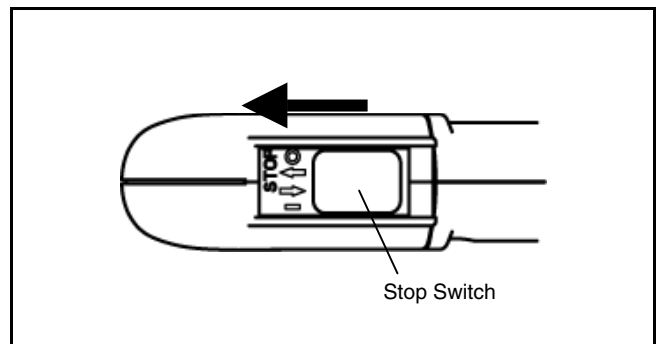
- The engine may be damaged if the choke lever is moved further beyond the “CLOSE” position.
- If the engine fires and stops, return this lever to the “OPEN” position and pull the starter handle several times to start the engine again.
- If the operator keeps pulling the starter handle several times with the choke lever left in the “CLOSE” position, the engine may be difficult to start because of flooding of the fuel.
- In case of flooding of the fuel, remove the spark plug and pull the handle several times rapidly to discharge any excess fuel. Dry the spark plug electrode.
- When the throttle valve does not return to a position in contact with the idling adjusting screw even if the throttle lever is set to the low speed, correct the control cable catching state to ensure proper return of the valve.

2) When the engine is warm

- (1) Place the engine on a flat ground.
- (2) Press the primary pump several times.
- (3) Confirm that the choke lever is open.
- (4) Hold the main handle with left hand to prevent the engine from moving.
- (5) Pull out slowly the starter handle till a certain resistance is felt. Return the starter handle backward once from this position, then pull it out with force.
- (6) When the engine is difficult to start, open the throttle valve by about 1/3.

2. Stopping

Release the trigger lever to reduce the engine speed, and set the stop switch to the “O” position.
(Release throttle lever lock if it is locking the trigger lever in the fully open position.)



ADJUSTMENT OF IDLING



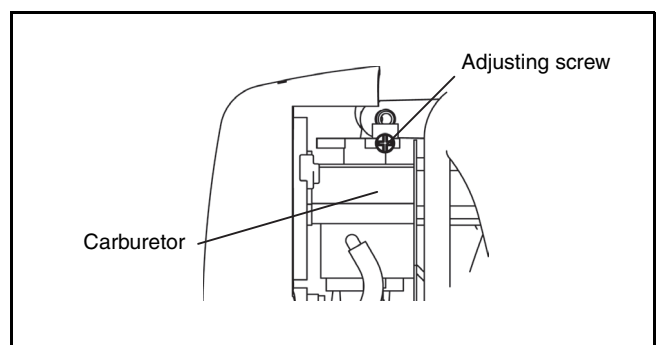
DANGER

The carburetor is factory adjusted. Please do not adjust other than idling adjusting. When adjustment becomes necessary, please consult your dealership or an authorized service agent.

Checkup of low-speed rotation

Set the low-speed rotation to 3500 rpm (min^{-1}).

- If it is necessary to change the rotation speed, regulate the adjusting screw, with Phillips screwdriver.
- Turn the adjusting screw to the right, and the engine speed will increase. Turn the adjusting screw to the left, and the engine speed will drop.



Prevention from carburetor icing

NOTICE

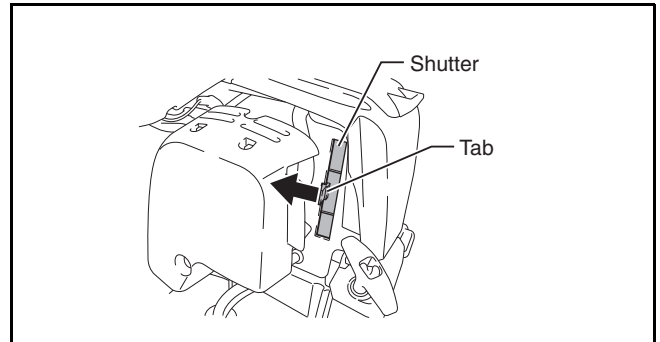
When environmental temperature is higher than 10°C, always close the shutter (normal setting). Otherwise the engine may be damaged by overheating.

When the environmental temperature is low and humidity is high, water vapor may freeze inside the carburetor and the engine drives unsteadily (carburetor icing).

Change the setting of the shutter as follows as necessary.

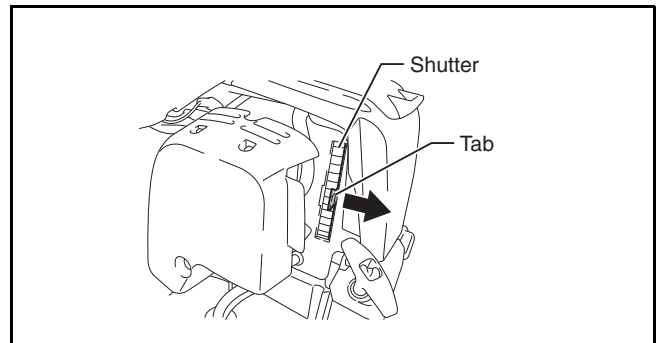
• Warmer environment than 10°C

Hold the tab on the shutter and slide it to the left (closed position).



• 10°C or colder environment

Hold the tab on the shutter and slide it to the right (open position).

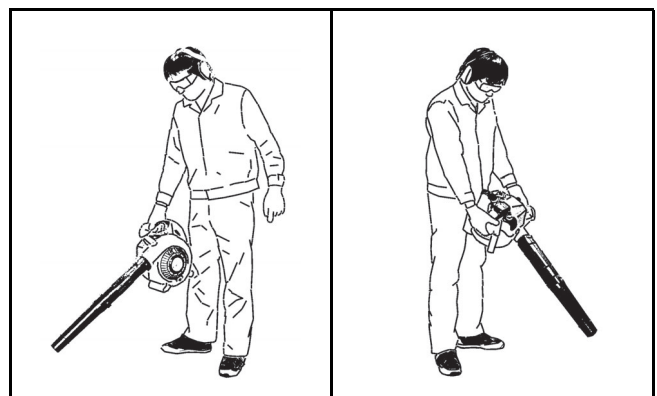


OPERATION METHOD



1. Blower operation

- Hold the machine firmly during operation.
- Direct the nozzle end toward the object to be dusted and pull the trigger lever.
- Fully pull the trigger lever, hold down the throttle lock button and release finger from the trigger lever to lock the trigger lever at full throttle.
- Pull the trigger lever again to release the throttle lock.
- The lower portion of the fuel tank acts as an assist handle, which enables operation with both hands. In this case, be sure to hold the assist handle with a right hand.



2. Dust Collection Operation

WARNING

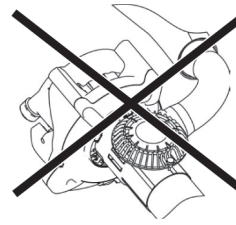
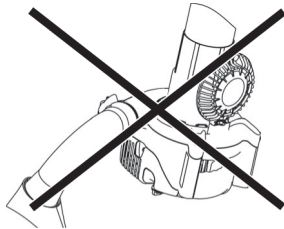
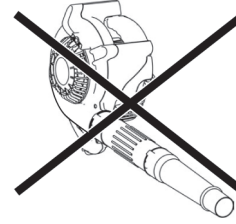
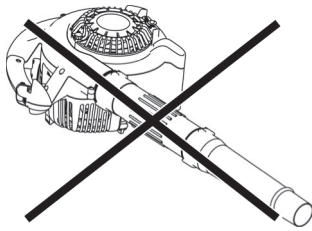
- Do not allow kerosene, gasoline, or lighted cigarette to be sucked into the machine.
 - Otherwise, fire may occur.
- Do not allow foreign materials, such as large wood chips, metals, glass, pebbles, etc., to be sucked into the machine.
 - Otherwise, failure may occur.
- Overfilling of the dust bag may cause its overflow toward the engine side. Empty the bag before it becomes completely full.
 - Otherwise, fire may occur.

- Carry the dust bag belt on the shoulder and adjust the belt length to ensure easy operation.
- Confirm that the dust bag is not twisted and pull the trigger lever to start dust collection.
- When the dust bag is full, remove the dust bag from the machine and open the fastener to empty the bag.



NOTE

If this machine is operated with the protector oriented upwards or the main handle downwards, white smoke may appear, oil may be contaminated or oil may leak.





DANGER

- Before inspection and maintenance, stop the engine and allow it to cool. Remove the spark plug and plug cap.
 - If inspection or maintenance is attempted immediately after engine stop or with the plug cap left attached, the operator may suffer burn or an accident due to careless startup.
- After inspection and maintenance, be sure to confirm that all parts are assembled. Then, proceed to operation.

1. Replacement of engine oil

Deteriorated engine oil will shorten the life of the sliding and rotating parts to a great extent. Be sure to check the period and quantity of replacement.

DANGER

- In general, the engine main unit and engine oil still remain hot just after the engine is stopped. In replacement of oil, confirm that the engine main unit and engine oil are sufficiently cooled down. Otherwise, there may remain a risk of scald. Allow sufficient time after stopping engine for the engine oil to return to the oil tank to ensure accurate reading of the oil level indicator.
- If the oil filled above the limit, it may be contaminated or may catch fire with white smoke.

Interval of replacement: After first 20 operating hours, followed by every 50 operating hours

Recommended oil: SAE10W-30 oil of API Classification SF Class or higher (4-stroke engine oil for automobile)

In replacement, perform the following procedure.

- (1) Confirm that the tank cap is tightened securely.
- (2) Detach the oil cap.
 - Keep the oil gauge free from dust or dirt.
- (3) Tilt the machine in order as shown in Figure 1.
 - Drain the oil in a container.
- (4) Orient the machine as shown in Figure 2 and refill oil to the shelf inside the oil pipe.
- (5) After refill, securely tighten the oil gauge. Insufficient tightening of the oil gauge will lead to oil leakage.

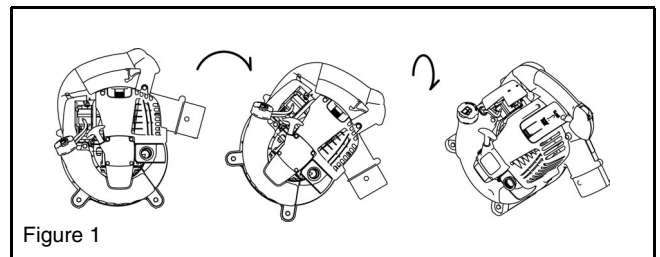


Figure 1

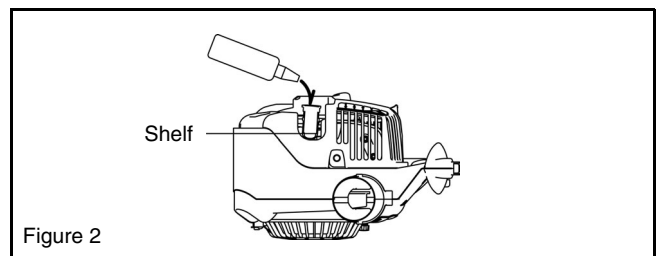


Figure 2

Points in replacement of engine oil

- Never discard replaced engine oil in garbage, earth or sewage ditch. Disposal of oil is regulated by law. In disposal, always follow the relevant laws and regulations. For any points remaining unknown, contact Authorized Service Agent.
- Oil will deteriorate even when it is kept unused. Perform inspection and replacement at regular intervals (replace with new oil every 6 months).

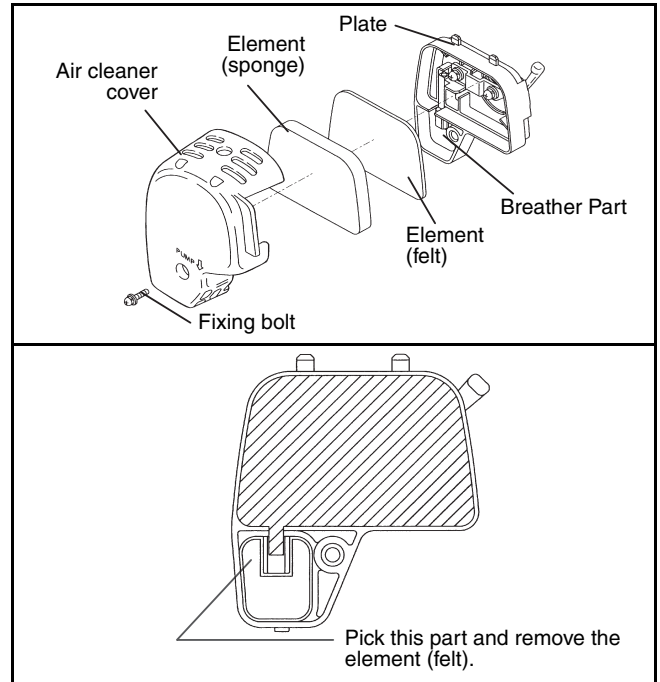
2. Cleaning of air cleaner



WARNING: INFLAMMABLES STRICTLY PROHIBITED

Interval of Cleaning and Inspection: Daily (every 10 operating hours)

- (1) Remove the air cleaner cover-fixing bolts.
- (2) Pull the cover lower side and detach the air cleaner cover.
- (3) Turn the choke lever to the full close side, and keep the carburetor off from dust or dirt.
- (4) If oil adheres to the element (sponge), squeeze it firmly.
- (5) For heavy contamination:
 - Remove the element (sponge), immerse it in warm water or in water-diluted mild detergent, and dry it completely.
 - Clean the element (felt) with gasoline, and dry it completely.
- (6) Before attaching the element, be sure to dry it completely. Insufficient drying of the element may lead to difficult startup.
- (7) Wipe out with waste cloth, oil adhering around the air cleaner cover and plate breather.
- (8) Immediately after cleaning is finished, attach the air cleaner cover and tighten it with fixing bolts. (In remounting, first place the upper claw, and then the lower claw.)



! DANGER

- Clean the element several times a day, if excessive dust adheres to it.
- If operation continues with the element remaining not cleared of oil, oil in the air cleaner may fall outside, resulting in oil contamination.

3. Checking the spark plug

- (1) Opening/closing the plug cover

When opening the cover, apply fingers to the main handle and plug cover projection (Figure 1). Push up the projection and slide the cover in the "OPEN" direction (Figure 2).

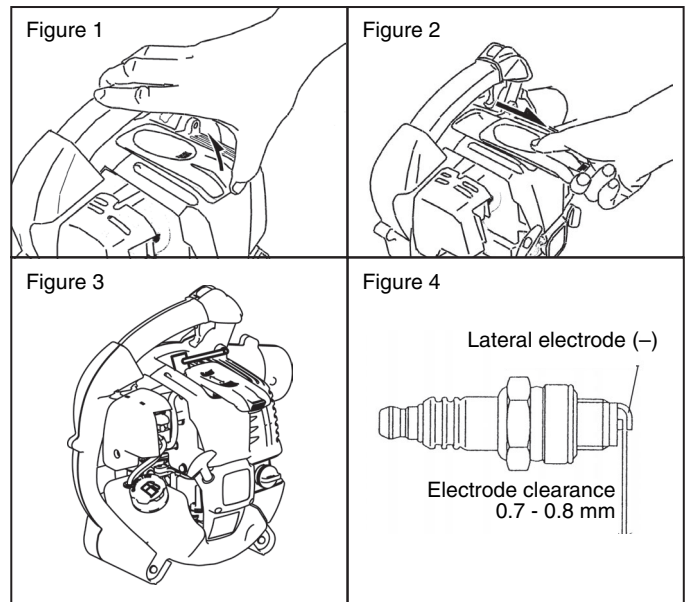
When closing the cover, slide the cover in the "CLOSE" direction till the click under the plug cover projection rides over the engine cover. Finally, push in the projection.
- (2) Removing the spark plug

Use an attached box wrench to remove or install the spark plug (Figure 3).
- (3) Checking the spark plug

The clearance between two electrodes of spark plug is 0.7 to 0.8 mm (Figure 4). Adjust to the correct clearance when it is too wide or too narrow.

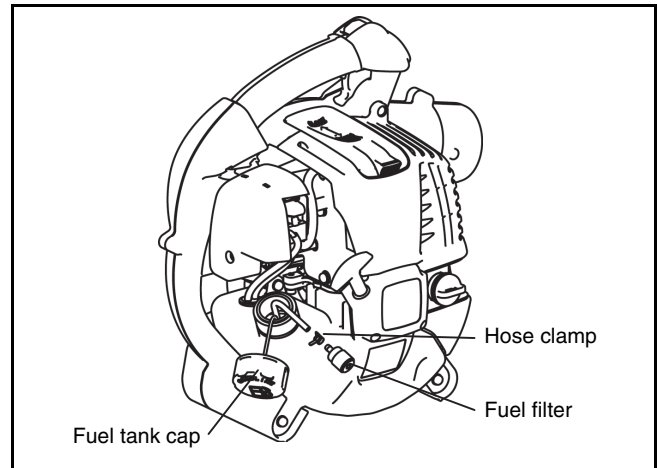
Clean thoroughly or replace the spark plug if it has accumulated carbon or contaminated.
- (4) Replacing the spark plug

For replacement, use NGK-CMR6A.



4. Cleaning the fuel filter

- Clogged fuel filter may cause difficulty of startup or failure of engine speed increase.
- Check the fuel filter regularly as follows:
 - (1) Remove the fuel tank cap, drain the fuel to empty the tank. Check the tank inside for any foreign materials. If any, wipe clean such materials.
 - (2) Pull out the fuel filter using a wire through the fuel filling port.
 - (3) If the fuel filter surface is contaminated, clean it with gasoline. The gasoline used for the cleaning must be disposed of according to the method specified by each local authority. Excessively contaminated filter must be replaced.
 - (4) Reset the fuel filter in the fuel tank and tighten firmly the fuel tank cap. For replacement, contact your dealership or an authorized service agent.



5. Inspection of bolts, nuts and screws

- Retighten loose bolts, nuts, etc.
- Check for fuel and oil leakage.
- Replace damaged parts with new ones for safety operation.

6. Cleaning of parts

- Keep engine clean by wiping down with a cloth rag.
- Keep the cylinder fins free of dust or dirt. Dust or dirt adhering to the fins will cause seizure.

7. Replacement of gaskets and packings

Replace gaskets and packings if the engine is disassembled.

Any maintenance or adjustment work that is not included and described in this manual is only to be performed by Authorized Service Agents.

STORAGE

⚠ WARNING

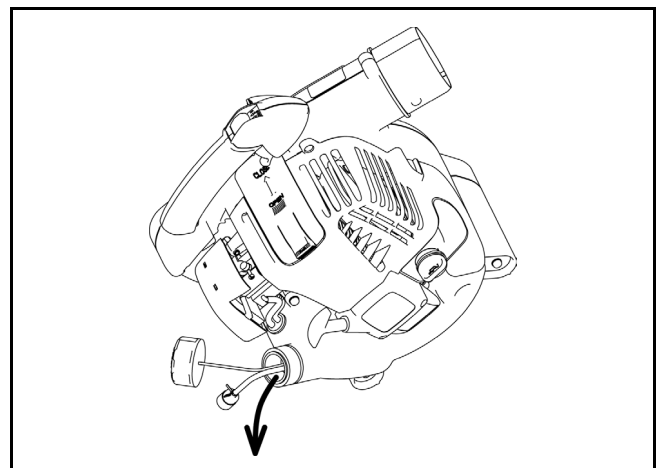
- When draining the fuel, be sure to stop the engine and confirm that the engine cools down.
 - Failure to do so may cause burns or fire.

⚠ DANGER

- When you store the machine for a long time, drain all fuel from the fuel tank and carburetor, and keep it at a dry and clean place.

Drain fuel from the fuel tank and carburetor according to the following procedure:

- (1) Remove the fuel tank cap, and drain fuel completely. If there is any foreign matter remaining in the fuel tank, remove it completely.
- (2) Pull out the fuel filter from the refill port using a wire.
- (3) Push the primer pump until fuel is drained from there, and drain fuel coming into the fuel tank.
- (4) Reset the filter to the fuel tank, and securely tighten the fuel tank cap.
- (5) Then, continue to operate the engine until it stops.
- (6) Remove the spark plug, and drip several drops of engine oil through the spark plug hole.
- (7) Gently pull the starter handle so that engine oil will spread over the engine, and attach the spark plug.
- (8) Keep the machine with its handle upside.
- (9) Keep the drained fuel in a special container in a well-ventilated shade.



Fault location

Fault	System	Observation	Cause
Engine not starting or with difficulty	Ignition system	Ignition spark O.K.	Fault in fuel supply or compression system, mechanical defect
		No ignition spark	STOP-switch operated, wiring fault or short circuit, spark plug or connector defective, ignition module faulty
	Fuel supply	Fuel tank filled	Incorrect choke position, carburetor defective, fuel supply line bent or blocked, fuel dirty.
	Compression	No compression when pulled over	Cylinder bottom gasket defective, crankshaft seals damaged, cylinder or piston rings defective or improper sealing of spark plug
Warm start problems	Mechanical fault	Starter not engaging	Broken starter spring, broken parts inside of the engine
		Tank filled ignition spark existing	Carburetor contaminated, have it cleaned
Engine starts but dies	Fuel supply	Tank filled	Incorrect idling adjustment, carburetor contaminated Fuel tank vent defective, fuel supply line interrupted, cable or STOP-switch faulty
Insufficient performance	Several systems may simultaneously be affected	Engine idling poor	Air filter contaminated, carburetor contaminated, muffler clogged, exhaust duct in the cylinder clogged

Item	Operating time								Corresponding Page
		Before operation	After lubrication	Daily (10h)	30h	50h	200h	Shutdown/rest	
Engine oil	Inspect/clean	○							9
	Replace					○*1			15
Tightening parts (bolt, nut)	Inspect	○							17
Fuel tank	Clean/inspect	○							–
	Drain fuel							○*3	17
Throttle lever	Check function		○						–
Stop switch	Check function		○						12
Low-speed rotation	Inspect/adjust			○					12
Air cleaner	Clean			○					16
Ignition plug	Inspect			○					16
Cooling air duct	Clean/inspect			○					17
Fuel pipe	Inspect			○					17
	Replace						◎*2		–
Fuel filter	Clean/replace					○			17
Clearance between air intake valve and air discharge valve	Adjust						◎*2		–
Oil tube	Inspect						◎*2		–
Engine overhaul							◎*2		–
Carburetor	Drain fuel							○*3	17

*1 Perform initial replacement after 20h operation.

*2 For the 200 operating hour inspection, request Authorized Service Agent or a machine shop.

*3 After emptying the fuel tank, continue to run the engine and drain fuel in the carburetor.

TROUBLESHOOTING

Before making a request for repairs, check a trouble for yourself. If any abnormality is found, control your machine according to the description of this manual. Never tamper or dismount any part contrary to the description. For repairs, contact Authorized Service Agent or local dealership.

State of abnormality	Probable cause (malfunction)	Remedy
Engine does not start	Failure to operate primer pump	Push 7 to 10 times.
	Low pulling speed of starter rope	Pull strongly.
	Lack of fuel	Feed fuel.
	Clogged fuel filter	Clean
	Broken fuel tube	Straighten fuel tube
	Deteriorated fuel	Deteriorated fuel makes starting more difficult. Replace with new one. (Recommended replacement: 1 month)
	Excessive suction of fuel	Set throttle lever from medium speed to high speed, and pull starter handle until engine starts. If engine will not start still, remove spark plug, make electrode dry, and reassemble them as they originally are. Then, start as specified.
	Detached plug cap	Attach securely
	Contaminated spark plug	Clean
	Abnormal clearance of spark plug	Adjust clearance
	Other abnormality of spark plug	Replace
	Abnormal carburetor	Make request for inspection and maintenance.
	Starter rope cannot be pulled	Make request for inspection and maintenance.
	Abnormal drive system	Make request for inspection and maintenance.
Engine stops soon Engine speed does not increase	Insufficient warm-up	Perform warm-up operation
	Choke lever is set to "CLOSE" although engine is warmed up	Set to "OPEN"
	Clogged fuel filter	Clean
	Contaminated or clogged air cleaner	Clean
	Abnormal carburetor	Make request for inspection and maintenance.
	Abnormal drive system	Make request for inspection and maintenance.
	Detached throttle wire	Attach securely
	Abnormal drive system	Make request for inspection and maintenance.
Engine does not stop. ↓ Run engine at idling, and set choke lever to CLOSE.	Detached connector	Attach securely
	Abnormal electric system	Make request for inspection and maintenance.

When the engine does not start after warm-up operation:

If there is no abnormality found for the check items, open the throttle by about 1/3 and start the engine.

Vous venez d'acheter un souffleur Makita, fruit d'importants programmes de développement et de nombreuses années d'études et d'expérience-et nous vous en remercions.
 Les modèles BHX2501 légers, pratiques et compacts, allient les avantages d'une technologie de pointe à une conception ergonomique, et sont des outils de professionnels pour de nombreuses applications.
 Lire soigneusement le manuel, qui traite en détail des différents points des performances de la machine et vous aidera à en tirer le meilleur parti possible.



Table des Matières

	Page
SYMBOLES	20
CONSIGNES DE SECURITE	21
DÉCLARATION DE CONFORMITÉ CE	24
SPÉCIFICATIONS	24
DÉSIGNATION DES PIÈCES	25
INSTRUCTIONS DE MONTAGE.....	26
AVANT MISE EN MARCHÉ	27
FONCTIONNEMENT	29
RÉGLAGE DU RALENTI	30
MODE OPERATOIRE	31
INSPECTION ET MAINTENANCE	33
REMISAGE	35
DEPANNAGE	37

SYMBOLES

Lors de la lecture de ce manuel, prêter une attention particulière aux symboles ci-après :

	Avertissement! Danger!		Essence et huile
	Lire et suivre l'instructions d'emploi		Moteur - Mise en marche manuelle
	Interdit		Arrêt d'urgence
	Interdiction de fumer		Premiers secours
	Interdiction d'utilisation de produits inflammables		Recyclage
	Port de gants de protection obligatoire		Marche
	Zone de fonctionnement interdite aux humains et aux animaux		Arrêt
	Port de lunettes de protection et cache-oreilles obligatoire		Mutilation du doigt ou du bras, Roue mobile
	Éloignez les spectateurs		Logo de la CE

CONSIGNES DE SECURITE

Généralités

- Pour tirer le meilleur parti de votre machine, vous devez lire, assimiler et respecter les instructions figurant dans ce manuel (1). Les utilisateurs mal informés risquent, par des manipulations inappropriées, de se blesser ou de blesser leur entourage.
- Il est conseillé ne prêter cet appareil qu'aux personnes ayant déjà une certaine expérience des souffleurs.
- Dans ce cas, leur confier aussi le manuel d'instruction.
- Les utilisateurs qui ne connaissent pas encore le fonctionnement de la machine devront demander à leur vendeur les explications qui leur permettront de se familiariser avec le souffleur.
- Ne pas laisser les enfants et les jeunes de moins de 18 ans utiliser le souffleur. Au-delà de 16 ans, ils peuvent cependant apprendre à s'en servir, mais uniquement sous le contrôle, direct d'une personne qualifiée.
- Il soit toujours très prudent.
- N'utiliser la machine que si vous êtes en bonne condition physique.
- Faire très attention à tout ce que vous faites. N'oublier pas que vous êtes responsable des autres.
- Ne jamais utiliser l'appareil lorsque vous avez bu ou pris des calmants (2).
- Ne pas utiliser l'appareil lorsque vous êtes fatigué.
- Conserver soigneusement ce manuel afin de pouvoir vous y référer ultérieurement.

Equipements de protection

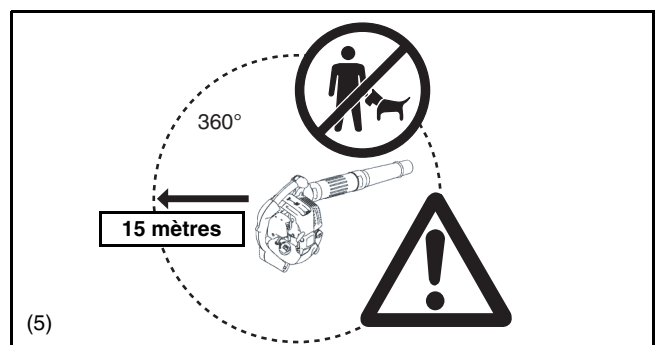
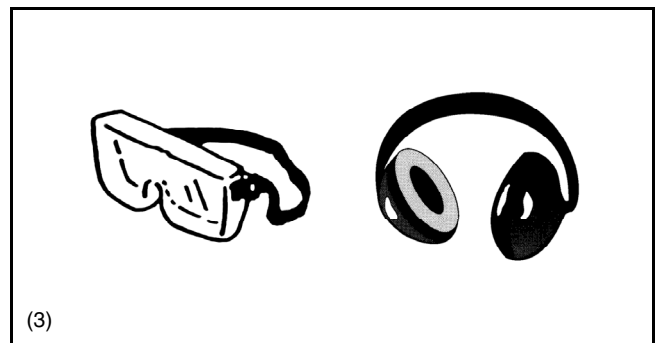
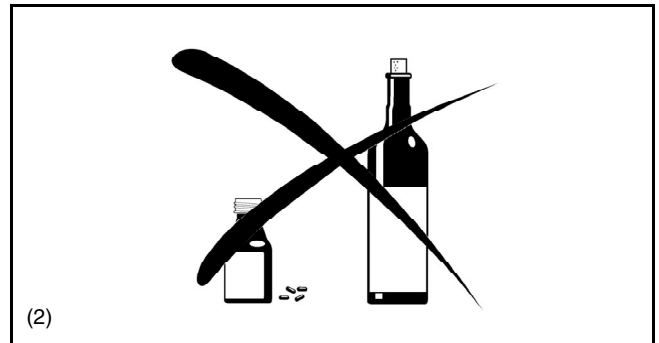
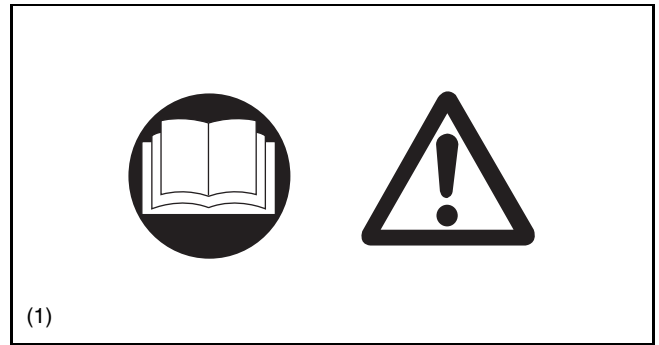
- Porter des vêtements fonctionnels, c'est-à-dire des vêtements légers, ne provoquant aucune gêne. Eviter les bijoux, les vêtements ou les cheveux longs, qui pourraient être happés par l'entrée d'air.
- Pour éviter de vous blesser et vous protéger contre tous les accidents éventuels, il est conseillé d'utiliser les équipements décrits ci-après.

Noter notamment que;

- Les vêtements doivent offrir toute liberté de mouvement. Éviter les vestes amples, les pantalons évasés ou bouffants, les écharpes, les cheveux longs non attachés ou tout ce qui risquerait d'être happé par l'entrée d'air. Porter des survêtements ou des pantalons (et pas de short). (4)
- Le bruit émis par le souffleur peut abîmer l'ouïe. Porter des protections auditives (cache-oreilles ou couvre-oreilles) pour protéger l'ouïe. Si vous utilisez la machine soit régulièrement, soit pendant de longues périodes, rendre régulièrement visite à un oto-rhino. (3)
- Si possible, porter des gants, soyez bien chaussés et éviter les semelles glissantes. (4)
- Protégez-vous soigneusement les yeux. Même si l'évacuation ne se fait pas vers vous, il arrive parfois que le fonctionnement de la machine entraîne des ricochets et des rebonds. (3)
- Ne jamais faire fonctionner la machine sans porter des lunettes ou des verres de sécurité avec protection supérieure et latérale approprié et conforme à la norme ANSI Z 87.1 (ou à toute norme nationale applicable).

Mise en route de l'appareil

- S'assurer qu'il n'y a personne, enfant ou adulte, à moins de 15 mètres (5) de la zone de travail, et prêter aussi attention aux animaux qui se trouvent à proximité. Ne jamais l'utiliser dans des zones urbaines.
- Avant de le mettre en route, vérifier toujours la sécurité de la manette des gaz, qui doit fonctionner facilement et sans à-coup. Vérifier également le fonctionnement de son système de verrouillage. S'assurer que les poignées sont propres et sèches, et vérifier le fonctionnement du commutateur de marche/arrêt. Garder les mains exemptes d'huile et de carburant.



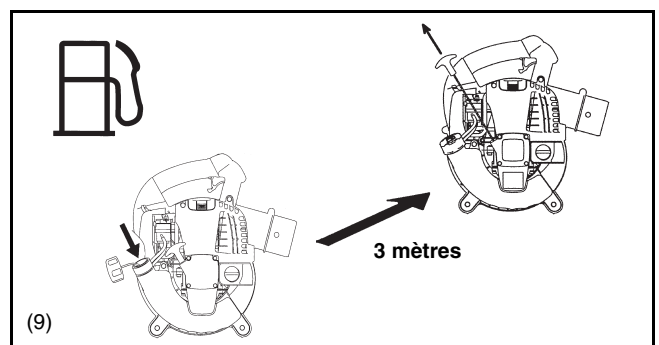
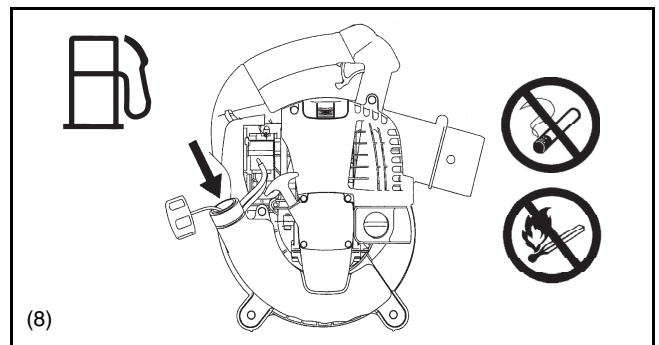
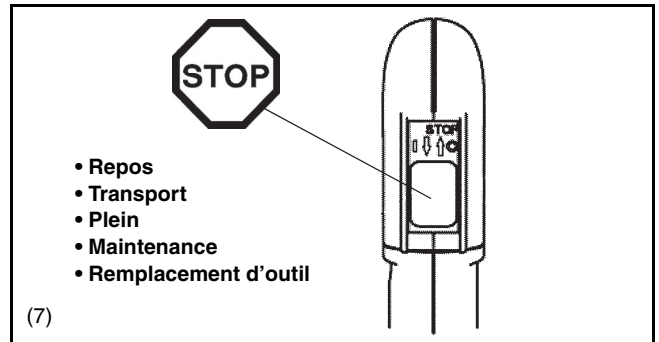
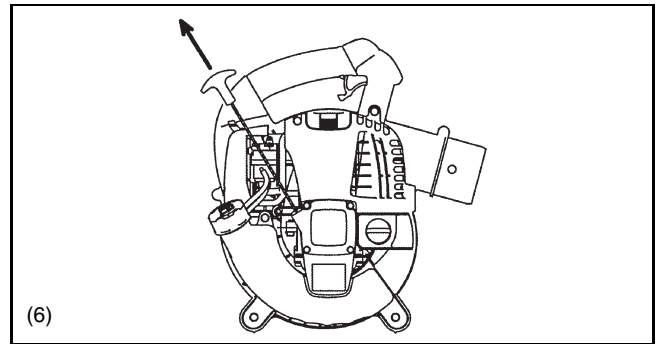
Avant de mettre la machine en marche, s'assurer que toutes les instructions sont bien respectées.

N'utilisez pas d'autres méthodes de mise en marche de l'appareil. (6)

- N'utiliser la machine et les outils fournis que pour les applications spécifiés.
- Ne mettre la machine en marche que lorsque tous les accessoires ont été mis en place. L'appareil ne fonctionne que lorsque tous les accessoires appropriés y sont fixés.
- En cas de dysfonctionnement du moteur, couper immédiatement le contact.
- Pendant l'utilisation du souffleur, toujours tenir fermement la poignée entre les cinq doigts de la main, de sorte que la poignée soit bien calée entre le pouce et l'index. Garder la main dans cette position pour avoir une bonne maîtrise de la machine en tout temps. S'assurer que la poignée et le manche du raccord d'aspiration sont en bon état et exempts d'humidité, de résine, d'huile ou de graisse. Conservez toujours une position stable.
- Pendant le fonctionnement de l'appareil, éviter toute inhalation de gaz d'échappement. N'utiliser jamais l'appareil dans des endroits clos (en raison des risques d'étouffement et d'empoisonnement par les gaz d'échappement). Ne pas oublier que le monoxyde de carbone est un gaz sans odeur. N'utiliser l'appareil que dans un endroit bien aéré.
- Couper le moteur lorsque vous n'utilisez pas l'appareil, et le mettre en lieu sûr pour éviter de blesser l'entourage, de mettre le feu aux matériaux combustibles, ou d'endommager la machine.
- Ne jamais poser la machine chaude sur de l'herbe sèche ou des matériaux combustibles.
- Utiliser toujours les éléments de protection fournis avec la machine.
- Ne jamais faire fonctionner la machine si le silencieux pose problème.
- Couper l'alimentation du moteur pendant le transport. (7)
- Placer le souffleur de manière sûre lors des déplacements en voiture ou en camion, pour éviter les fuites de carburant.
- Pendant le transport, s'assurer que le réservoir de carburant est totalement vide.

Plein

- Couper le contact lors du remplissage (7), s'éloigner de toute flamme vive (8) et ne pas fumer.
- Éviter tout contact avec la peau et les produits dérivés du pétrole. Ne pas inhaler les vapeurs d'essence. Porter toujours des gants de protection. Changer et nettoyer régulièrement les gants de protection.
- Veiller à ne pas renverser de carburants ou d'huile, pour éviter de contaminer le sol (protection de l'environnement). En cas de fuite de carburant, même légère, nettoyer immédiatement l'appareil. Faire toujours sécher les chiffons avant de les jeter dans un conteneur approprié et couvert, pour éviter tout risque de combustion spontanée.
- Éviter tout contact du carburant avec les vêtements. Si nécessaire, changer immédiatement de vêtement.
- Inspecter régulièrement le bouchon du réservoir à carburant pour s'assurer qu'il est toujours bien serré.
- Serrer soigneusement la vis de verrouillage du réservoir à carburant. Changer d'emplacement pour mettre le contact (à au moins 3 mètres de l'emplacement du remplissage). (9)
- Ne jamais faire le plein de carburant dans des pièces fermées : les vapeurs s'accumulent au niveau du sol (risque d'explosion).
- Ne transportez et ne stockez du carburant que dans des conteneurs appropriés. Veiller à ce que les enfants n'y aient pas accès.
- Ne jamais faire le plein d'un moteur chaud ou en marche.



Fonctionnement

- N'utiliser l'appareil que dans des endroits bien éclairés, où la visibilité est bonne. Pendant les saisons fraîches, éviter les sols glissants ou humides, la glace et la neige. Ayez toujours une position stable.
- Ne jamais travailler sur une surface instable ou sur un terrain en pente raide.
- Pour réduire les risques de blessure, ne pas diriger le jet d'air vers les personnes présentes, car la pression élevée du jet d'air peut causer une blessure aux yeux et projeter de petits objets à très grande vitesse.
- Ne jamais introduire de corps étranger dans l'entrée d'air de la machine ou dans le gicleur du souffleur. Cela endommagerait le tourniquet de ventilateur, et l'utilisateur et les personnes présentes risquent de subir une blessure grave s'ils sont heurtés par une pièce cassée ou un objet projeté à grande vitesse.
- Ne jamais travailler contre le vent.
- Pour éviter de tomber et de perdre le contrôle de l'appareil, ne jamais reculer pendant son fonctionnement.
- Couper toujours le moteur avant de nettoyer l'appareil ou de remplacer certaines de ces pièces.

Maintenance

- Respecter l'environnement; vérifier notamment le bon réglage du carburateur pour polluer aussi peu que possible l'atmosphère.
- Vérifier régulièrement le souffleur, et s'assurer que ses vis et écrous sont bien fixés.
- Pendant toutes les opérations de maintenance ou de stockage, éviter soigneusement la présence de flammes, d'étincelles ou autres (11).
- Stocker toujours l'appareil dans une pièce fermée à clé et bien aérée. Avant de le stocker, vider soigneusement son réservoir de carburant.

Respecter toujours les instructions de prévention d'accidents des associations professionnelles et des compagnies d'assurances. N'effectuez aucune modification sur le souffleur, car cela est dangereux.

N'effectuer aucune opération de maintenance ou de réparation qui ne soit pas prévue par ce manuel. Toutes les autres opérations doivent être effectuées par un agent du service après-vente habilité.

N'utiliser que des pièces et des accessoires d'origine, fournis par Makita. L'utilisation d'outils et d'accessoires non agréés augmente les risques d'accident. Makita décline toute responsabilité en cas d'accident ou de dommage provoqué par l'utilisation d'accessoires ou d'outils non agréés.

Premiers secours

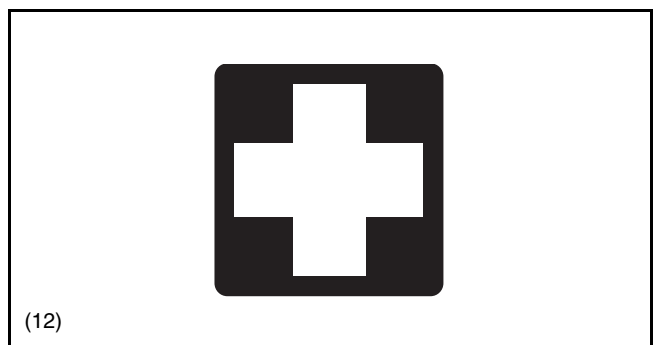
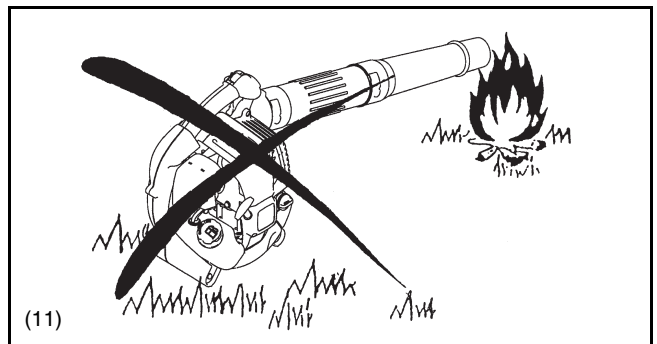
Veiller à avoir toujours à portée de main une trousse de premiers secours respectant les réglementations en vigueur. S'assurer que la trousse est toujours complète.

En cas d'accident, appeler les services de secours et fournissez-leur les informations suivantes:

- lieu de l'accident
- circonstances de l'accident
- nombre de personnes blessées
- type de blessures
- vos coordonnées

Conditionnement

Le souffleur est livré emballé dans un carton. Le carton est un matériau de base qui peut donc être réutilisé ou recyclé.



DÉCLARATION DE CONFORMITÉ CE

Pour les pays d'Europe uniquement

La déclaration de conformité CE est fournie en Annexe A à ce mode d'emploi.

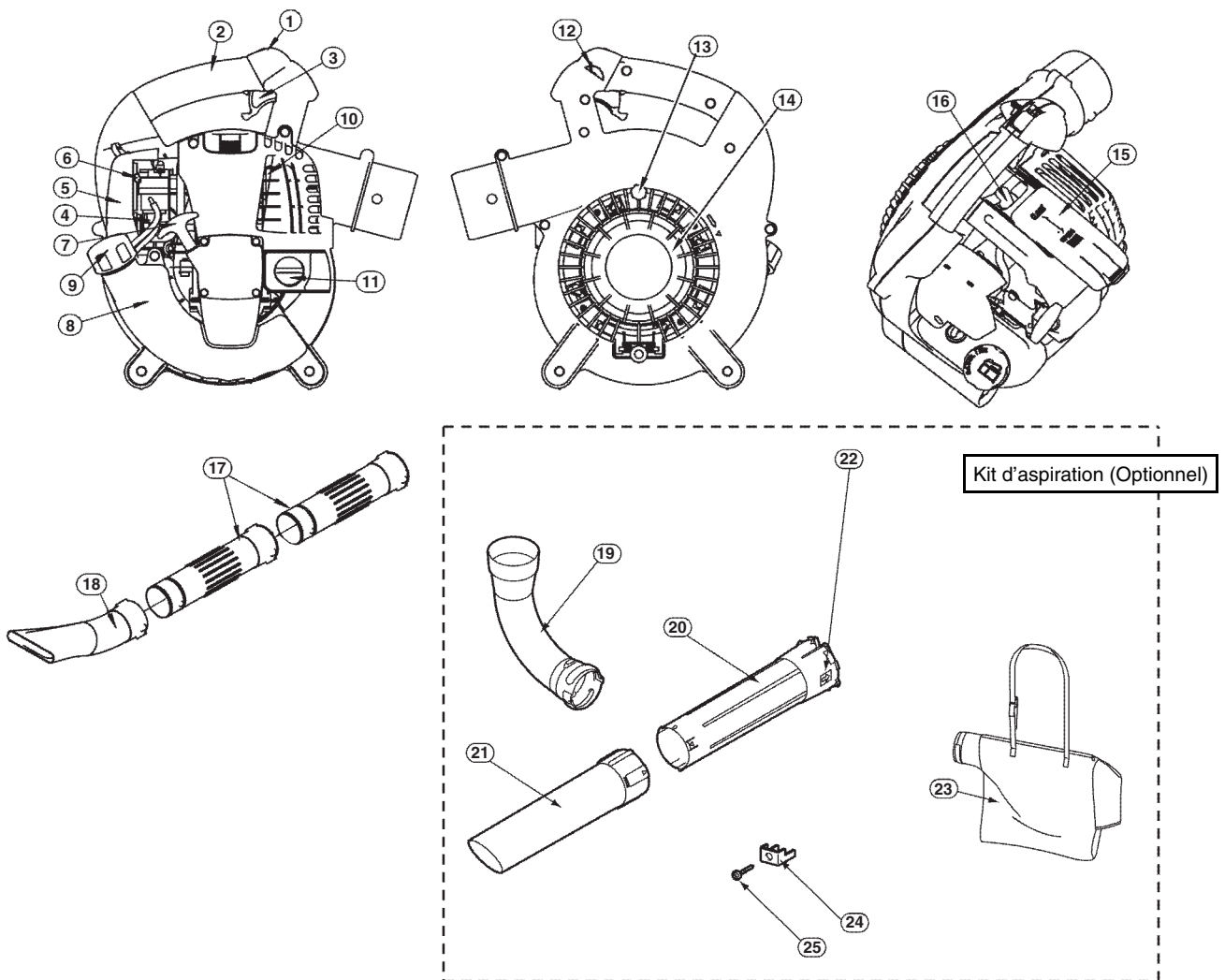
SPÉCIFICATIONS

Modèle		BHX2501	BHX2501 avec kit d'aspiration	
Poids (sans les tubes)	(kg)	4,5		
Dimensions (sans les tubes) (L x L x H totales)	(mm)	350 x 231 x 368		
Vitesse maxi du moteur	(min ⁻¹)	7 800		
Vitesse au ralenti	(min ⁻¹)	3 500		
Cylindrée totale du moteur	(mL)	24,5		
Carburant		Essence à automobile		
Volume du réservoir à carburant	(L)	0,52		
Huile à moteur		SAE 10W- 30 huile de la classification API, classe SF ou supérieure (moteur à quatre temps pour automobile)		
Volume d'huile à moteur	(L)	0,08		
Carburateur (Carburateur à diaphragme)		WALBRO WYL		
Système d'allumage		Allumage électronique		
Bougie		NGK CMR6A		
Distance entre électrodes	(mm)	0,7 - 0,8		
Vibration selon ISO22867 (*Main gauche / Main droite)	a _{hv eq}	(m/s ²)	9,3	8,1/11,1*
	Incertitude K	(m/s ²)	0,5	0,5/1,3*
Moyenne du niveau de pression sonore selon ISO22868	L _{PA eq}	dB(A)	90,8	92,8
	Incertitude K	dB(A)	1,4	3,8
Moyenne du niveau de puissance sonore selon ISO22868	L _{WA eq}	dB(A)	104,4	104,3
	Incertitude K	dB(A)	1,6	1,5

Notes:

1. Utiliser l'huile et la bougie désignés par Makita.
2. La spécification peut être soumise à changement sans avis préalable.

DÉSIGNATION DES PIÈCES



DÉSIGNATION DES PIÈCES	DÉSIGNATION DES PIÈCES	DÉSIGNATION DES PIÈCES	DÉSIGNATION DES PIÈCES
1. Interrupteur d'arrêt	8. Réservoir à carburant / Poignée assistante	15. Capot de bougie	22. Flèche
2. Poignée principale	9. Bouchon du réservoir à carburant	16. Bougie	23. Sac à poussières
3. Déclencheur	10. Silencieux	17. Tuyau de souffleur	24. Support
4. Pompe d'amorçage	11. Bouchon à huile	18. Gicleur de souffleur	25. Vis
5. Couvercle de filtre à air	12. Bouton de verrouillage de l'étrangleur	19. Raccord coudé	
6. Levier de réglage	13. Vis	20. Gicleur d'aspiration A	
7. Poignée de démarrage	14. Capot de protection	21. Gicleur d'aspiration B	

INSTRUCTIONS DE MONTAGE



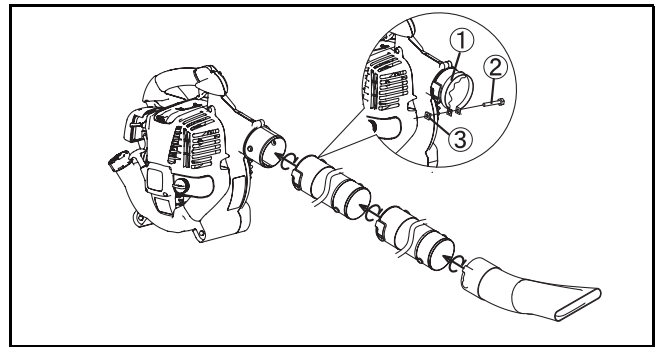
ATTENTION : Avant toute opération sur le souffleur, couper toujours le moteur et débrancher les connecteurs de bougie.

Porter toujours des gants de protection!

ATTENTION : Ne mettre le souffleur en marche que lorsqu'il est complètement monté.

1. MONTAGE DU TUBE DE SOUFFLANTE

- 1) Faire coïncider les rainures du tube de soufflante avec les nervures du carter de l'appareil et faire glisser le tube sur le carter.
- 2) Tourner le tube de soufflante dans le sens des aiguilles d'une montre pour le bloquer.
- 3) Placer la bague ① autour de l'ouverture du tube de soufflante. La serrer fermement avec le boulon ② et l'écrou ③.



2. MONTAGE DES ACCESSOIRES DE L'ASPIRATEUR

1) Fixation de la buse de vide (tuyère)

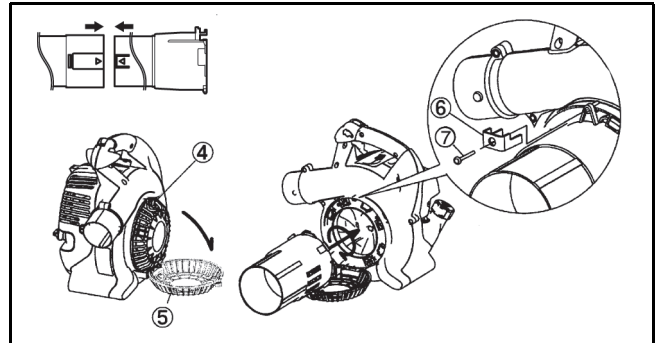
- (1) Desserrer la vis ④ et ouvrir le capot de protection ⑤.





AVERTISSEMENT !

Lorsque vous utilisez le souffleur pour effectuer un travail de soufflage, fermez toujours le protecteur ⑤ et serrez la vis ④ avant de commencer le travail. Autrement le rotor risque de vous blesser grièvement en happant votre corps ou vos vêtements.

Utilisez toujours les buses de vide A et B ensemble. Autrement le contact avec le rotor peut entraîner une grave blessure si vous tentez de retirer des débris coincés dans la buse.



- (2) Aligner le symbole "▲" sur les buses de vide A et B. Insérez la buse de vide A dans la buse de vide B jusqu'à ce que les trois loquets se ferment.
- (3) Faire coïncider le repère  indiqué sur la buse de vide A avec "●" indiqué sur le souffleur, puis engager la buse de vide dans le souffleur.
- (4) Tourner la buse de vide jusqu'à ce que le repère  coïncide avec "▼" indiqué sur le souffleur pour bloquer la buse.
- (5) Serrer fermement la buse de vide au souffleur avec la vis ⑦ et le support ⑥. Pour éviter de casser des pièces, ne pas serrer trop la vis.

Attention : Ne pas effectuer le serrage décrit à l'étape (5) si le souffleur doit être utilisé dans un pays ou une région où le marquage CE n'est pas applicable.

Note : Le moteur ne démarrera que lorsque la buse de vide sera complètement installée.

2) Fixation du raccord coudé et du sac à poussière

- (1) Ouvrir l'attache du sac à poussière.
- (2) Engager le côté coulissant du raccord coudé dans le sac à poussière et sortez-le par l'ouverture du sac.
- (3) Fixer le raccord coudé avec l'attache auto-agrippante autour de l'endroit indiqué sur la figure.

ATTENTION

Installer le sac à poussière à l'écart du côté coulissant du raccord coudé. Si le sac à poussière est placé à proximité du moteur, le gaz d'échappement peut le brûler.

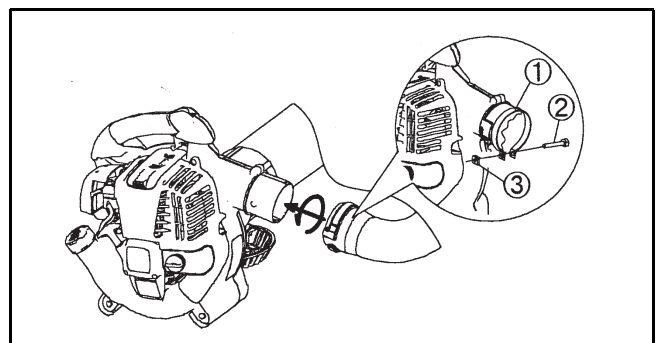
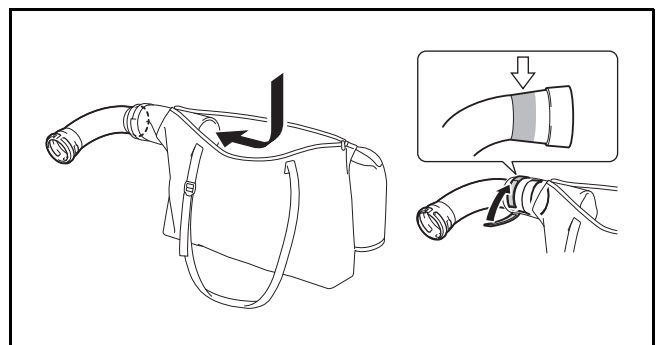
- (4) Fixer le raccord coudé sur l'aspirateur.
- (5) Placer la bague ① autour de l'ouverture du raccord coudé. Serrer fermement avec le boulon ② et l'écrou ③.

Attention : Ne pas effectuer le serrage décrit à l'étape (5) si le souffleur doit être utilisé dans un pays ou une région où le marquage CE n'est pas applicable.



AVERTISSEMENT !

N'essayer pas d'aspirer des copeaux de bois, des morceaux de métal ou de verre, de gros cailloux, des liquides, des cigarettes allumées, des pièces de feu d'artifice, etc.



AVANT MISE EN MARCHÉ

1. Inspection et ravitaillement de l'huile moteur

(1) Suivre la procédure ci-dessous lorsque le moteur est froid.

S'assurer que le moteur est sur une surface horizontale et plane, tel qu'illustré à la Figure 1.

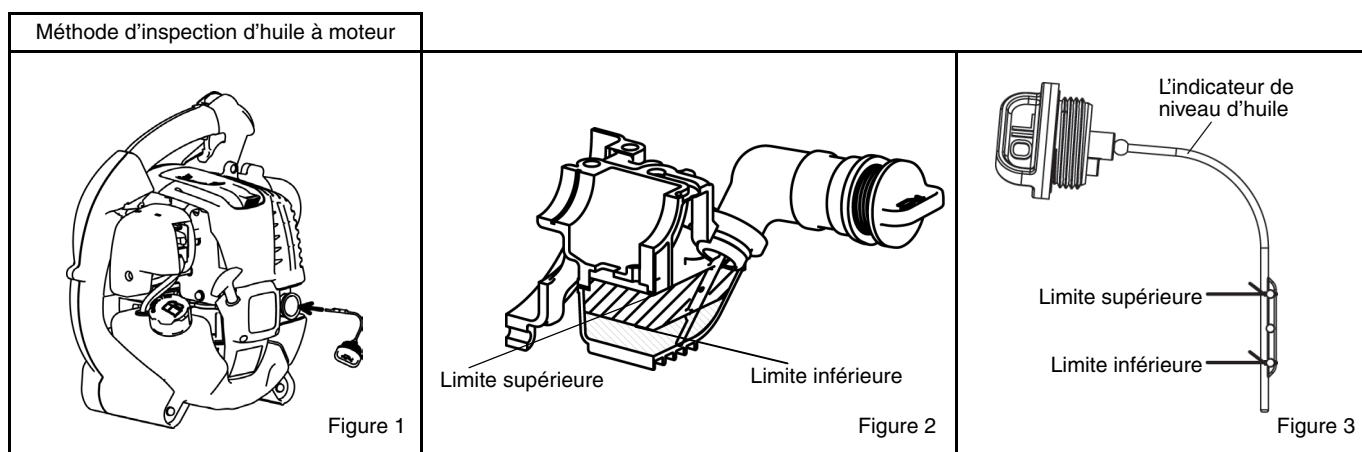
- **Inspection :** Retirer le bouchon du réservoir d'huile. Essuyer l'indicateur de niveau d'huile. Remettre en place le bouchon du réservoir d'huile (Figure 2), puis le retirer. S'assurer que le niveau d'huile se trouve entre les limites inférieure et supérieure de l'indicateur de niveau d'huile.
- **Remplissage :** Après l'inspection, si le niveau d'huile est sous la limite inférieure, ajouter de l'huile par l'ouverture d'où le bouchon du réservoir d'huile a été retiré. Consulter la Figure 4 concernant la façon d'orienter le moteur pour faire le plein d'huile.

(2) Il faudra probablement faire le plein d'huile après 10 heures d'utilisation (ou lors de chaque 10ème plein de carburant).

(3) Si l'huile change de couleur ou s'imprègne de saletés, la remplacer. (Concernant l'intervalle et la méthode de remplacement, voir page 33.)

Huile recommandée : SAE 10W- 30 huile de la classification API, classe SF ou supérieure (moteur à quatre temps pour automobile)

Volume d'huile : Env. 0,08 L (2,7 fl. oz)

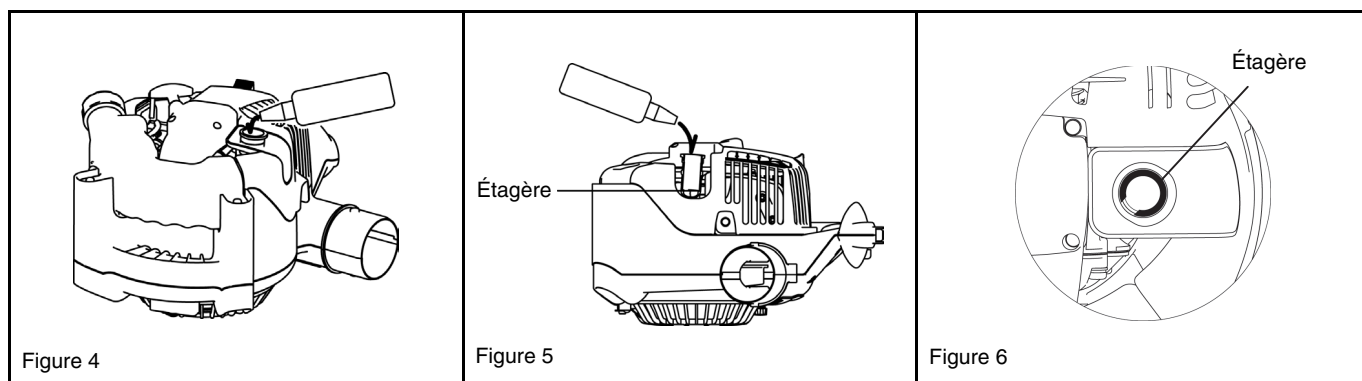


NOTE

- Si le moteur n'est pas placé sur une surface horizontale comme à la Figure 1, l'indication du niveau d'huile risque d'être inexacte.
- Si l'huile est fournie au-dessus de la limite, l'huile peut être contaminée ou elle peut prendre feu, émettant une fumée blanche.

Remplacement de l'huile : "Jauge d'huile"

- Enlever les poussières et les impuretés à proximité de l'orifice de ravitaillement, et déposer la jauge d'huile.
- En retirant la jauge d'huile, éviter de la mettre en contact avec des grains de sable ou des poussières. Autrement les grains de sable ou les poussières collés à la jauge d'huile risquent d'affecter la circulation de l'huile ou de causer l'usure des pièces du moteur, ce qui entraînera des dysfonctionnements.
- A titre d'exemple, pour maintenir la jauge nette, il est recommandé d'insérer la jauge d'huile sur le côté poignée dans le couvercle de moteur.



Après avoir fait le plein d'huile

- Essuyer toute trace d'huile renversée, à l'aide d'un chiffon.

2. Alimentation en carburant

AVERTISSEMENT

- Lors du remplissage, respecter rigoureusement les instructions suivantes pour éviter les risques d'explosion ou d'incendie :
 - L'alimentation en carburant doit être effectuée à l'endroit où il n'y a pas de feu. Ne jamais apporter du feu (tabac, etc.) près de l'endroit de l'alimentation en carburant.
 - Couper le contact et laisser refroidir le moteur avant de refaire le plein.
 - Ouvrir lentement le bouchon du réservoir à carburant. La pression interne peut faire déborder le carburant.
 - Faire attention à ne pas laisser déborder le carburant. Essuyer proprement tout le carburant débordé.
 - Alimenter du carburant à l'endroit bien ventilé.
- Manipuler du carburant avec soin.
 - Le carburant collé sur la peau et pénétré dans les yeux peut causer des allergies ou l'irritation. Lorsque les anomalies physiques quelconques sont constatées, consulter immédiatement un spécialiste médical.
- NE PAS verser d'huile dans le réservoir à carburant.

DURÉE DE STOCKAGE DU CARBURANT

Le carburant doit être utilisé totalement dans un délai de quatre semaines, même s'il est contenu dans un récipient spécial et stocké à l'ombre bien aérée.

Si le carburant n'est pas stocké dans un récipient spécial ou si le récipient n'est pas couvert, le carburant se détériore en un jour.

Entreposage de l'appareil et du réservoir de ravitaillement

- Garder l'appareil et le réservoir à un endroit sans qu'ils soient exposés aux rayons du soleil.
- Ne jamais garder de carburant dans un véhicule.

CARBURANT

Le moteur est à quatre temps. Utiliser de l'essence ordinaire ou du supercarburant.

Les essentiels pour le carburant

- Ne jamais utiliser de l'essence mélangée de l'huile à moteur. Autrement cela causera une accumulation excessive de carbone ou entraînera des problèmes mécaniques.
- Une huile détériorée causera un démarrage irrégulier.

Avant de faire le plein, penser à couper le contact et vérifier que le moteur a refroidi.

MÉTHODE DE REMPLISSAGE

- Desserrer un peu le bouchon du réservoir pour libérer la pression du réservoir.
- Enlever le bouchon du réservoir et faire le plein ; pour vidanger l'air, incliner le réservoir à carburant de sorte que le port de remplissage soit orienté vers le haut.
(NE PAS faire le plein de carburant jusqu'à ras bord du réservoir.)
- Après avoir fait le plein, serrer fermement le bouchon du réservoir.
- Remplacer le bouchon du réservoir s'il est abîmé ou comporte un défaut.
- Le bouchon du réservoir s'use au fil du temps. Le remplacer au bout de deux à trois ans.
- NE PAS verser de carburant dans le port de remplissage du réservoir d'huile.

FONCTIONNEMENT



1. Mise en marche

⚠ AVERTISSEMENT

- Ne jamais tenter de démarrer le moteur dans l'endroit où le carburant a été alimenté.
 - Cela comporte un risque d'explosion ou d'incendie. S'éloigner d'au moins 3 mètres pour faire démarrer le moteur.
- Les gaz d'échappement du moteur sont toxiques. Ne pas mettre le moteur en marche dans l'endroit faiblement ventilé, tel que dans le tunnel, le bâtiment, etc.
 - La manœuvre du moteur dans l'endroit faiblement ventilé peut causer l'empoisonnement par le gaz d'échappement.
- En cas de constatation des anomalies du bruit, de l'odeur ou de la vibration après la mise en marche, arrêter immédiatement le moteur et effectuer l'inspection.
 - Si le moteur est mis en marche sans porter attention à ces anomalies, un incident pourra se produire.
- S'assurer que le moteur s'arrête quand l'interrupteur d'arrêt est mis à la position "O".

1) Lorsque le moteur est froid ou après avoir fait le plein

- (1) Positionner cette machine à un lieu plat.
- (2) Mettre l'interrupteur d'arrêt sur la position "MARCHE". (Figure 1)
- (3) Continuer à pousser la pompe d'amorçage jusqu'à ce que le carburant entre dans la pompe d'amorçage. (Figure 2)
 - En général, le carburant entre dans le carburateur par 7 à 10 poussées.
 - Si la pompe d'amorçage est poussée excessivement, un excès de l'essence retourne au réservoir à carburant.
- (4) Élever le levier de réglage jusqu'en position fermée (Figure 3).
- (5) Saisir la poignée principale avec la main gauche pour empêcher le moteur de bouger.
- (6) Tirer la poignée de démarrage jusqu'à ce qu'il soit difficile de tirer (point de compression). Puis, laisser revenir la poignée de démarrage, et la tirer fortement. (Figure 4)
- Ne jamais tirer sur la corde jusqu'à ce qu'elle sorte complètement.
- Une fois que la poignée de démarrage est tirée, ne jamais lâcher prise du câble tout à coup. Saisir la poignée de démarrage jusqu'à ce qu'elle retourne au point original.
- (7) Lorsque le moteur démarre, ouvrir le levier de réglage. (Figure 5)
 - Ouvrir le levier de réglage pas à pas, en vérifiant la marche du moteur. Ne pas manquer d'ouvrir le levier de réglage pleinement à la fin.
 - A froid ou lorsque le moteur reste froid, ne pas ouvrir le levier de réglage subitement. Autrement, le moteur s'arrêtera.
- (8) Augmenter la température pendant deux ou trois minutes.
- (9) Le réchauffage est terminé lorsque le moteur passe rapidement de la vitesse de faible régime à celle de plein régime.

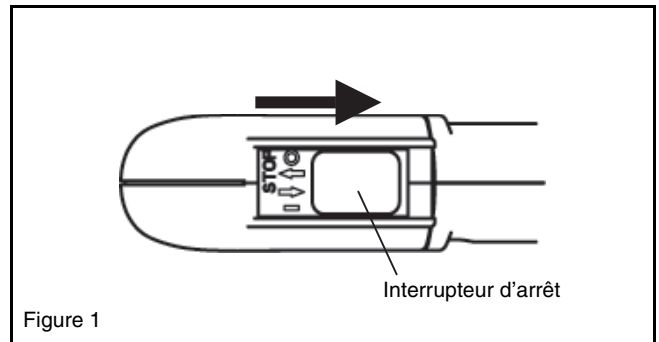


Figure 1

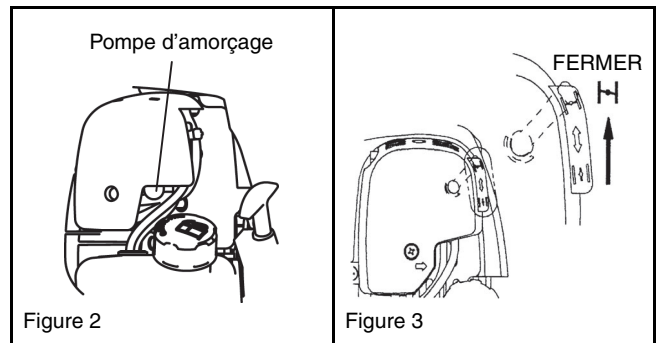


Figure 2

Figure 3

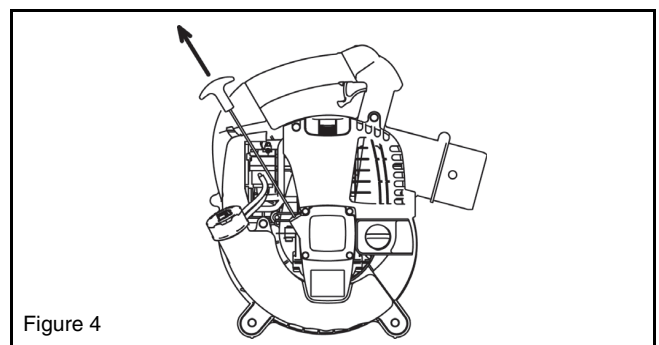


Figure 4

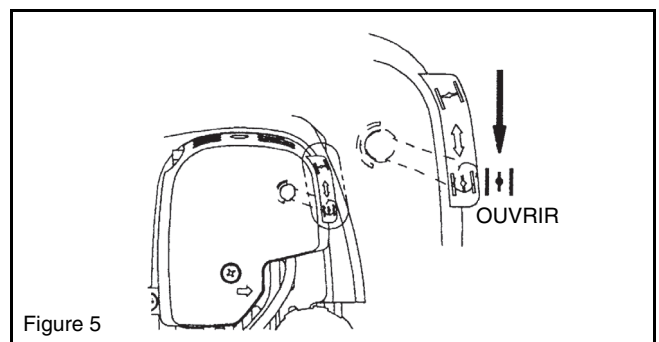


Figure 5

NOTE

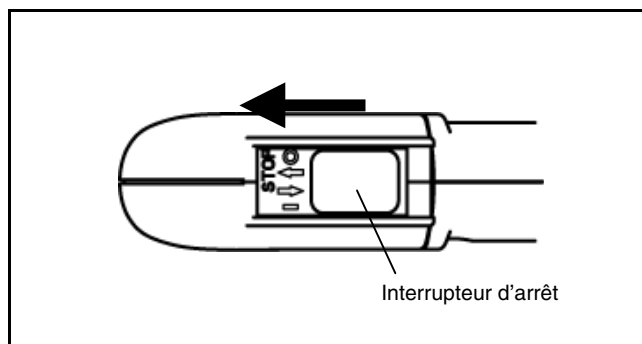
- Le moteur pourra être endommagé si le levier de réglage est déplacé au-delà de la position "CLOSE".
- Si le moteur s'allume puis s'arrête, remettre ce levier en position ouverte ("OPEN") et tirer à quelques reprises sur la poignée de démarreur pour faire redémarrer le moteur.
- Si l'utilisateur tire à plusieurs reprises sur la poignée de démarreur avec le levier de réglage en position fermée ("CLOSE"), il se peut que le moteur ait du mal à démarrer à cause de l'afflux excessif de carburant.
- En cas d'afflux excessif de carburant, retirer la bougie d'allumage et tirer rapidement sur la poignée à plusieurs reprises pour vidanger l'excès de carburant. Faire sécher l'électrode de la bougie d'allumage.
- Si la vanne d'étrangleur ne revient pas en position de contact avec la vis de réglage du ralenti alors que la manette d'étrangleur est réglée sur la vitesse lente, corriger l'état d'accrochage du câble de commande pour assurer le retour adéquat de la vanne.

2) Quand le moteur est échauffé

- (1) Mettre le moteur sur la terre plate.
- (2) Pousser la pompe d'amorçage à quelques fois.
- (3) S'assurer que le levier de réglage est ouvert.
- (4) Saisir la poignée principale avec la main gauche pour empêcher le moteur de bouger.
- (5) Faire sortir lentement la poignée de démarreur jusqu'à la constatation d'une certaine résistance. De cette position, retourner la poignée de démarreur une fois à l'arrière, puis tirer la poignée avec la force.
- (6) S'il est difficile de démarrer le moteur, ouvrir l'étrangleur jusqu'à 1/3 environ.

2. Arrêt

Relâcher le levier de commande pour diminuer la vitesse du moteur et placer l'interrupteur d'arrêt en position "O".
(Débloquer le verrou du levier d'étrangleur s'il bloque le levier de commande en position entièrement ouverte.)



RÉGLAGE DU RALENTI



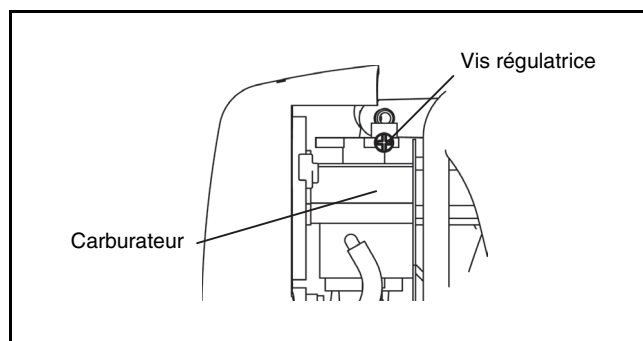
DANGER

Le carburateur est réglé en usine. Ne le régler que lorsque le moteur tourne au ralenti. S'il est nécessaire de régler de nouveau, s'adresser à l'agent du service après-vente habilité.

Vérification de la rotation à petite vitesse

Régler à 3500 rpm (min^{-1}) la rotation à petite vitesse.

- S'il est nécessaire de changer la vitesse de rotation, ajuster la vis régulatrice avec un tournevis cruciforme.
- Tourner la vis de réglage vers la droite pour faire augmenter la vitesse du moteur. Tourner la vis de réglage vers la gauche pour faire diminuer la vitesse du moteur.



Prévention du givrage du carburateur

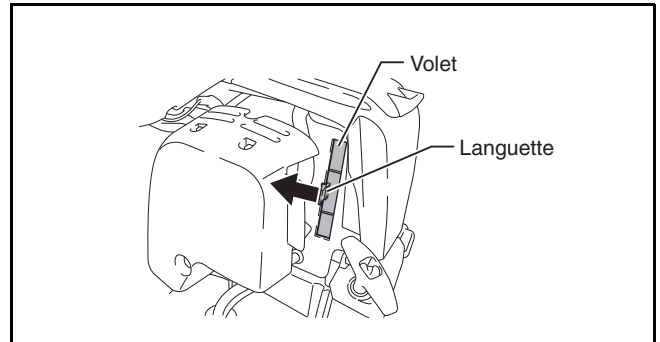
REMARQUE

Lorsque la température ambiante est supérieure à 10 °C, fermez toujours le volet (réglage normal).
Dans le cas contraire, le moteur risque d'être endommagé en raison de la surchauffe.

Lorsque la température ambiante est basse et que l'humidité est élevée, de la vapeur d'eau risque de geler à l'intérieur du carburateur (givrage du carburateur), et le fonctionnement du moteur devient irrégulier.
Modifiez le réglage du volet comme suit au besoin.

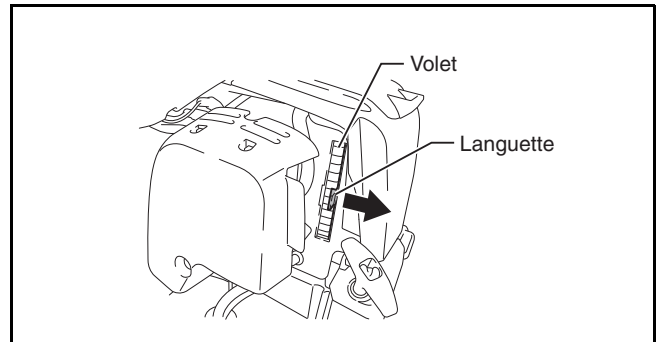
• Environnement plus chaud que 10 °C

Maintenez enfoncée la languette sur le volet et faites-la glisser vers la gauche (position fermée).



• Environnement de 10 °C ou plus froid

Maintenez enfoncée la languette sur le volet et faites-la glisser vers la droite (position ouverte).

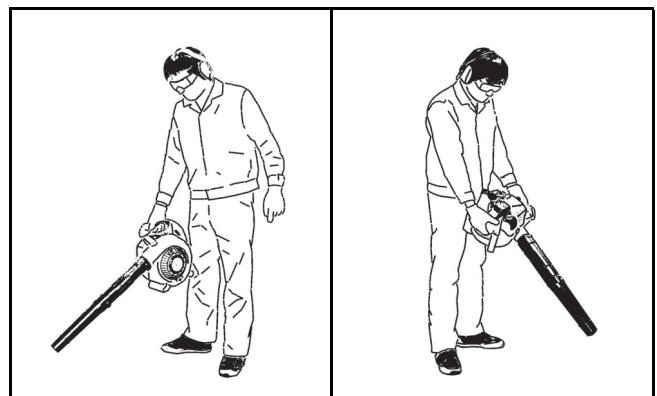


MODE OPERATOIRE



1. Manœuvre du souffleur

- Retenir fermement la machine pendant la manœuvre.
- Orienter le bout de l'embout vers les objets à épousseter et tirer le déclencheur.
- Tirer complètement sur le déclencheur, maintenir le bouton de verrouillage de l'étrangleur enfoncé et retirer le doigt du déclencheur pour verrouiller ce dernier en position de puissance maximale.
- Tirez à nouveau sur le levier de commande pour relâcher le verrou du levier d'étrangleur.
- La partie basse du réservoir de carburant sert de la poignée assistante, ce qui rend possible la manœuvre à deux mains. Dans ce cas, soyez certain de retenir la poignée assistante par la main droite.



2. Opération de dépeussierage

AVERTISSEMENT

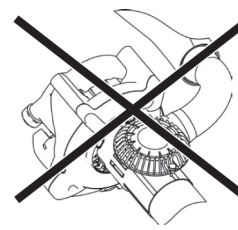
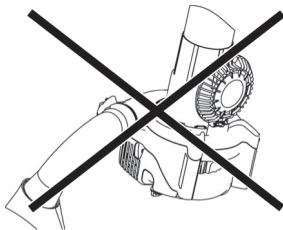
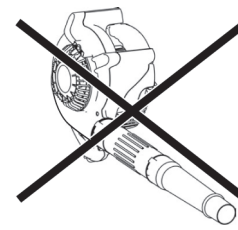
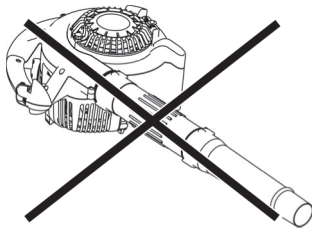
- Ne pas laisser aspirer le kérosène, l'essence, ou la cigarette allumée dans la machine.
 - Sinon, l'incendie peut se produire.
- Ne pas laisser aspirer les corps étrangers, tels que copeaux de bois, métaux, verres, cailloux, etc. dans la machine.
 - Sinon, la panne peut se produire.
- Les poussières risqueront de déborder du côté du moteur si le sac à poussières est trop plein. Vider le sac avant qu'il ne soit complètement plein.
 - Sinon, l'incendie peut se produire.

- Porter le harnais du sac à poussières sur l'épaule et ajuster la longueur de ceinture pour permettre la manipulation facile.
- S'assurer que le sac à poussières n'est pas tordu et tirer le déclencheur pour mettre le dépeussierage en marche.
- Lorsque le sac à poussières est plein, le retirer de la machine et l'ouvrir pour le vider.



NOTE

Si la machine est utilisée avec le protecteur orienté vers le haut ou avec la poignée principale vers le bas, il se peut que la machine dégage de la fumée blanche, que l'huile se contamine ou qu'elle s'écoule.





DANGER

- Avant l'inspection et la maintenance, arrêter le moteur et le laisser refroidir. Retirer la bougie d'allumage et le capot de bougie.
 - Si l'inspection ou la maintenance est effectuée immédiatement après l'arrêt du moteur ou avec le capot en place, l'opérateur a un risque d'être brûlé ou de subir un accident dû au démarrage inattendu.
- Après l'inspection et la maintenance, s'assurer que toutes les pièces sont rassemblées. Puis, procéder à la manœuvre.

1. Remplacement de l'huile à moteur

Une huile à moteur trop usée peut réduire considérablement la durée de service des pièces coulissantes et des pièces rotatives. Ne pas manquer de vérifier la période et la quantité de remplacement.

DANGER

- En général, le bloc moteur et l'huile à moteur restent chauds immédiatement après que le moteur s'arrête. Lors de remplacement d'huile, confirmer que le bloc moteur et l'huile à moteur sont refroidis complètement. Autrement, il y a un risque de brûlure. Une fois le contact coupé, laisser suffisamment le temps à l'huile à moteur de retourner dans le réservoir d'huile, pour assurer une lecture exacte de l'indicateur de niveau d'huile.
- Si l'huile est remplie au-dessus de la limite, elle peut se contaminer ou prendre feu par suite de la fumée blanche.

Intervalle de remplacement : Après les 20 premières heures d'utilisation, puis à intervalles de 50 heures d'utilisation

Huile recommandée : SAE10W-30 de la classification API, Classe SF ou supérieure (moteur à quatre temps pour automobile)

Lors de remplacement, faire les procédés suivants :

- (1) Vérifier que le bouchon de réservoir à carburant est serré complètement.
- (2) Déposer le bouchon d'huile.
 - Tenir la jauge d'huile propre de toute poussière ou d'impuretés.
- (3) Incliner la machine dans l'ordre indiqué à la Figure 1.
 - Recevoir le huile vidée dans un récipient.
- (4) Orienter la machine tel qu'illustré à la Figure 2, et faire le plein jusqu'au repère limite dans le tuyau à huile.
- (5) Après le ravitaillement, serrer la jauge d'huile fermement. Un serrage insuffisant de la jauge d'huile peut provoquer une fuite d'huile.

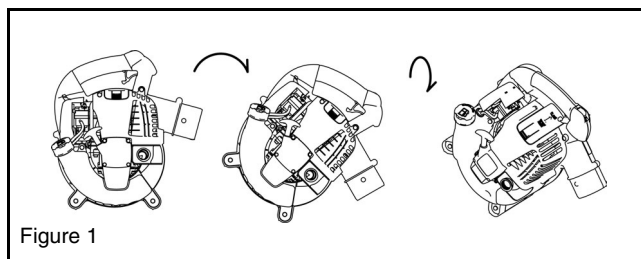


Figure 1

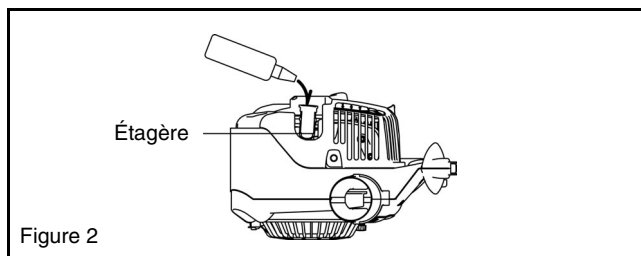


Figure 2

L'essentiel lors de remplacement de l'huile à moteur

- Ne jamais déposer de l'huile du moteur vidé dans des ordures, dans la terre, ou dans un égout. Le dépôt de l'huile usée est réglementé par la loi. Lors du rejet, il faut observer les lois et règlements concernés. Pour toute autre question, contacter l'agent du service après-vente habilité.
- L'huile se détériore même si elle est stockée intacte. Faire le contrôle et le remplacement à des intervalles réguliers (renouveler l'huile tous les six mois.)

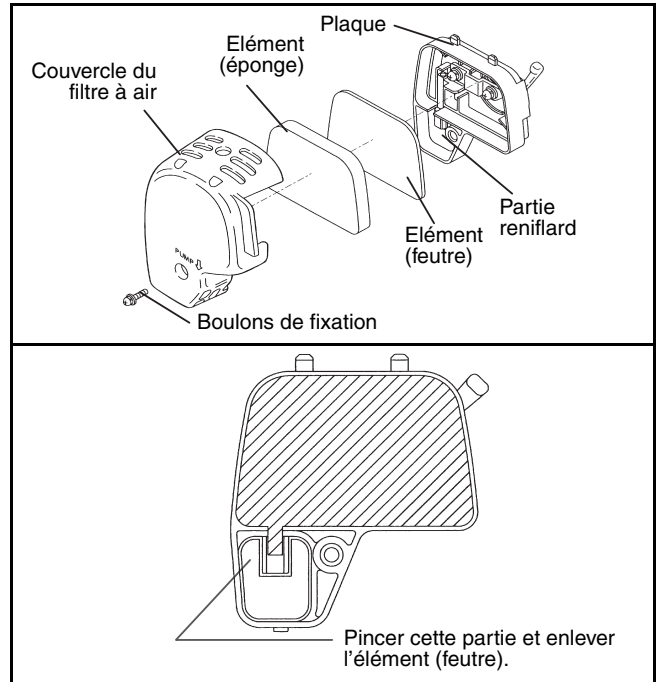
2. Nettoyage du filtre à air



AVERTISSEMENT: DEFENSE DE FAIRE DU FEU

Intervalle de nettoyage et de contrôle : Quotidien (toutes les 10 heures de marche)

- (1) Déposer les boulons de fixation du couvercle de filtre à air.
- (2) Tirer le côté inférieur du couvercle et déposer le couvercle du filtre à air.
- (3) Faire tourner le levier de réglage pleinement vers le côté fermeture, et tenir le carburateur net de la poussière ou d'impuretés.
- (4) Si l'huile adhère à l'élément (éponge), le tordre fermement.
- (5) Pour les contaminations fortes :
 - Retirer l'élément (l'éponge), le faire tremper dans de l'eau tiède ou dans solution d'eau tiède et de détergent doux, puis laisser sécher complètement.
 - Nettoyer l'élément (feutre) avec essence, et le sécher complètement.
- (6) Avant de poser l'élément, prendre garde à le sécher complètement. Le séchage insuffisant peut provoquer un démarrage difficile.
- (7) Essuyer avec une toile toute l'huile adhérente aux alentours du couvercle filtre d'air et du reniflard de toile.
- (8) Immédiatement après que le nettoyage est fini, reposer le couvercle du filtre d'air, et le serrer avec boulons de fixation. (Lors de remontage, d'abord mettre le cliquet supérieur et puis le cliquet inférieur.)



! DANGER

- Nettoyer l'élément à plusieurs reprises par jour, s'il y a de la poussière excessive y adhérente.
- Si le fonctionnement continue sans enlever l'huile complètement de l'élément, l'huile restant dans le filtre d'air peut tomber dehors, ce qui peut provoquer une contamination d'huile.

3. Vérification de bougie d'allumage

- (1) Ouverture/fermeture du capot de bougie

Pour ouvrir le couvercle, poser les doigts sur la poignée principale et la partie saillante du capot de bougie (Figure 1). Soulever la projection et glisser le capot vers la direction "OPEN". (Figure 2)

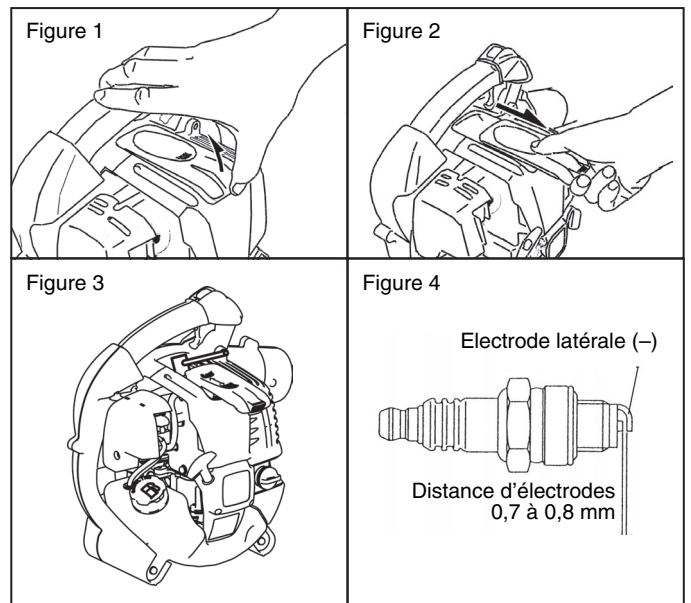
Pour fermer le capot, glisser le capot vers la direction "CLOSE" jusqu'à ce que le clic sous le capot de bougie surmonte le capot du moteur. Finalement, pousser la projection.
- (2) Démontage de bougie d'allumage

Utiliser la clé à douille fournie avec la machine pour monter ou démonter la bougie d'allumage. (Figure 3)
- (3) Vérification de bougie d'allumage

La distance entre les deux électrodes de la bougie est de 0,7 à 0,8 mm. (Figure 4) Régler pour la distance correcte quand elle est trop large ou trop étroite.

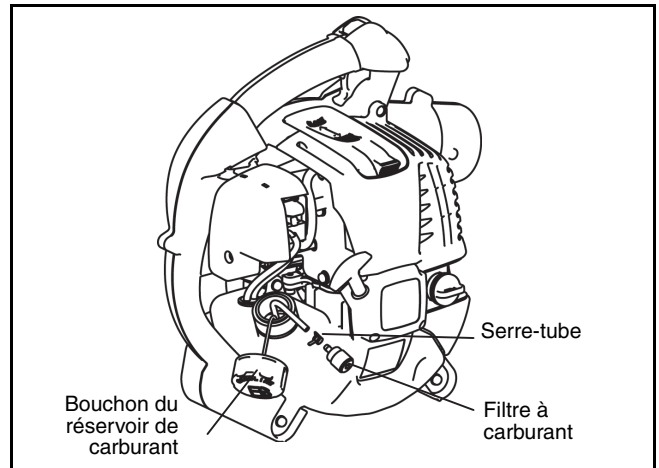
Nettoyer complètement ou remplacer la bougie si le carbone s'accumule ou la bougie est contaminée.
- (4) Remplacement de bougie d'allumage

Pour le remplacement, utiliser NGK-CMR6A.



4. Nettoyage du filtre à carburant

- Le filtre à carburant colmaté peut causer un démarrage difficile ou une défaillance de la montée de vitesse du moteur.
- Vérifier régulièrement le filtre à carburant comme ce qui suit:
 - (1) Démontez le bouchon du réservoir de carburant, évacuez le carburant pour vider le réservoir. Vérifiez l'intérieur du réservoir pour tout corps étranger. Eventuellement, nettoyez les corps étrangers.
 - (2) Faire sortir le filtre à carburant par l'orifice de remplissage du réservoir de carburant à l'aide d'un fil de fer.
 - (3) Si la surface du filtre à carburant est contaminée, nettoyez la surface à l'aide de l'essence. L'essence utilisée pour le nettoyage doit être jetée conformément aux réglementations locales.
Le filtre doit être remplacé lorsqu'il est trop contaminé.
 - (4) Remettez le filtre à carburant dans le réservoir de carburant et serrez fermement le bouchon du réservoir de carburant. Pour le remplacement, prenez contact avec votre succursale ou l'agent du service après-vente habilité.



5. Contrôle des boulons, écrous et vis

- Resserrer les boulons, écrous, etc.
- Vérifier la fuite de carburant et d'huile.
- Pour un fonctionnement sûr, remplacer les pièces abîmées par des neuves.

6. Nettoyage des pièces

- Garder le moteur propre en l'essuyant avec un chiffon.
- Tenir les ailettes de cylindre propres de toutes sortes de poussière et impureté. L'adhérence de la poussière et l'impureté aux ailettes causera un grippage.

7. Remplacement des joints et garnitures

En cas de démontage du moteur, remplacer les joints et garnitures.

Toutes maintenances ou réglage non décrits dans ces instructions doivent être réalisés par un agent du service après-vente habilité.

REMISAGE

⚠ AVERTISSEMENT

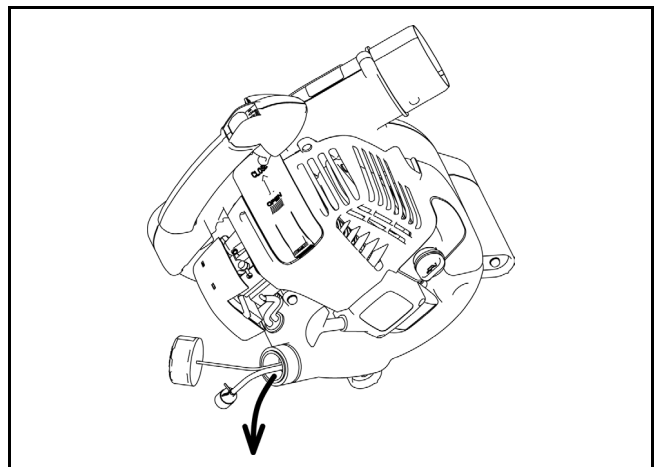
- Lors de décharger le carburant, prendre garde à arrêter le moteur et confirmer que le moteur se refroidit.
- Autrement il y a risque de brûlure ou d'incendie.

⚠ DANGER

- Avant de ranger la machine pour une période prolongée, vidanger complètement le réservoir de carburant et le carburateur, et ranger la machine dans un emplacement sec et propre.

Décharger tout le carburant à partir du réservoir du carburant et du carburateur d'après le procédé suivant :

- (1) Enlever le bouchon du réservoir de carburant, et décharger le carburant complètement.
S'il y a plusieurs matières étrangères restant dans le réservoir de carburant, les enlever complètement.
- (2) Tirer le filtre de carburant de l'orifice de ravitaillement avec un fil de fer.
- (3) Tirer la pompe d'amorçage jusqu'à ce que le carburant soit déchargé d'ici, et décharger le carburant venant du réservoir de carburant.
- (4) Remettre le filtre dans le réservoir de carburant, et serrer fermement le bouchon du réservoir de carburant.
- (5) Puis, continuer à faire fonctionner le moteur jusqu'à ce qu'il s'arrête.
- (6) Enlever la bougie d'allumage, faire tomber plusieurs gouttes de l'huile pour moteur au travers du trou de la bougie d'allumage.
- (7) Tirer doucement la poignée de démarrage de façon que l'huile pour moteur s'étende totalement sur le moteur, et monter la bougie d'allumage.
- (8) Placer la machine avec sa poignée vers le haut.
- (9) Garder le carburant déchargé dans un récipient spécial à l'ombre bien aérée.



Localisation des défauts

Défaut	Système	Observation	Cause
Pas de démarrage du moteur ou démarrage difficile	Système d'allumage	Étincelle d'allumage présente	Défaut dans l'alimentation en carburant ou dans le système de compression. Défaut mécanique
		Pas d'étincelle d'allumage	Interrupteur d'arrêt actionné, défaut du fil ou court-circuit, bougie d'allumage ou connecteur défectueux, module d'allumage défectueux
	Alimentation en carburant	Réservoir de carburant rempli	Position incorrecte de l'étrangleur, carburateur défectueux, tête d'aspiration sale, tuyau d'alimentation en carburant plié ou bloqué
	Compression	Pas de compression au tirage	Joint d'étanchéité du fond du cylindre défectueux, soudures du carter endommagées, piston ou segments défectueux ou fuite par la fixation de la bougie d'allumage
Problèmes en démarrage à chaud	Défaut mécanique	Câble non enclenché	Ressort du câble cassé, pièces cassées à l'intérieur du moteur
		Réservoir rempli Étincelle d'allumage présente	Carburateur sale, le nettoyer
Le moteur démarre mais est immédiatement noyé	Alimentation en carburant	Réservoir rempli	Mauvais réglage du ralenti, carburateur contaminé
Performances insuffisantes	Plusieurs circuits sont peut-être affectés Simultanément.		Orifice du réservoir de carburant bouché. Tuyau d'alimentation en carburant plié, câble ou interrupteur STOP défectueux
		Mauvais fonctionnement du moteur au ralenti	Filtre à air sale, carburateur sale, conduit d'échappement du cylindre bouché

Article	Durée de marche								Page correspondante
		Avant marche	Après lubrification	Quotidien (10h)	30h	50h	200h	Arrêt/repos	
Huile à moteur	Vérifier/Nettoyer	○							27
	Remplacer					○*1			33
Pièces à serrer (boulons, écrous)	Vérifier	○							35
Réservoir à carburant	Nettoyer/Vérifier	○							–
	Evacuer le carburant							○*3	35
Levier d'étranglement	Vérifier les fonctions		○						–
Interrupteur d'arrêt	Vérifier les fonctions		○						30
Rotation à petite vitesse	Vérifier/Ajuster			○					30
Filtre à air	Nettoyer			○					34
Bougie d'allumage	Vérifier			○					34
Conduite d'air de refroidissement	Nettoyer/Vérifier			○					35
Tuyau à carburant	Vérifier			○					35
	Remplacer							◎*2	–
Filtre à carburant	Nettoyer/Remplacer					○			35
Espace entre soupape d'entrée d'air et soupape de déchargement d'air	Ajuster							◎*2	–
Tube d'huile	Vérifier							◎*2	–
Révision générale du moteur								◎*2	–
Carburateur	Evacuer le carburant							○*3	35

*1 Faire le remplacement premier après 20h de marche.

*2 Pour le contrôle de 200 heures de marche, s'adresser à l'agent du service après-vente habilité ou à un atelier des réparations.

*3 Après vidage du réservoir à carburant, continuer à faire fonctionner le moteur et évacuer le carburant dans le carburateur.

DEPANNAGE

Avant de faire une demande de réparations, vérifier un inconvénient par soi-même. S'il y a aucune anomalie, régler votre machine suivant la description de ce manuel. Ne jamais manipuler ou déposer aucune partie contrairement à la description. Pour les réparations, s'adresser à l'agent du service après-vente habilité.

Etat d'anomalie	Cause probable (fonctionnement irrégulier)	Remède
Le moteur ne démarre pas	Panne de la pompe d'amorçage	Pousser 7 à 10 fois
	Petite vitesse de tirage du câble de démarreur	Tirer fortement
	Manque de carburant	Remplir
	Colmatage du filtre à carburant	Nettoyer
	Tuyau à carburant plié	Redresser le tuyau à carburant
	Carburant détérioré	Un carburant détérioré laisse le démarrage plus difficile. Renouveler. (Remplacement recommandé: 1 mois)
	Aspiration excessive du carburant	Ajuster la rotation du levier d'étrangleur de vitesse moyenne à la haute, et tirer la poignée de démarreur jusqu'à ce que le moteur démarre. Si le moteur ne démarre pas, déposer la bougie d'allumage, dessécher l'électrode, et les remonter comme ils étaient initialement. Puis, démarrer suivant les instructions.
	Bouchon déposée	Reposer fermement
	Bougie d'allumage tachée	Nettoyer
	Espace anormal de la bougie d'allumage	Ajuster l'espace
	Autre anomalie de bougie d'allumage	Remplacer
	Carburateur anormal	Faire une commande de contrôle et de maintenance.
	Impossible de tirer sur le câble du démarreur	Faire une commande de contrôle et de maintenance.
Système de commande anormal	Faire une commande de contrôle et de maintenance.	
Le moteur s'arrête toute de suite. Le moteur ne s'augmente pas	Réchauffage insuffisant	Faire le réchauffage
	Le levier de réglage est mis à "CLOSE" même si le moteur est réchauffé.	Mettre à "OPEN"
	Colmatage du filtre à carburant	Nettoyer
	Filtre à air sale ou colmate	Nettoyer
	Carburateur anormal	Faire une commande de contrôle et de maintenance.
	Système de commande anormal	Faire une commande de contrôle et de maintenance.
	Câble d'étrangleur détaché	Reposer fermement
	Système de commande anormal	Faire une commande de contrôle et de maintenance.
Le moteur ne s'arrête pas ↓ Faire marcher le moteur au ralenti, et mettre le levier de réglage à "CLOSE".	Connecteur déposé	Reposer fermement
	Système électrique anormal	Faire une commande de contrôle et de maintenance.

Lorsque le moteur ne démarre pas après le réchauffage :

S'il n'y a pas aucune anomalie pour les points de vérification, ouvrir le levier d'étrangleur par un tiers, et démarrer le moteur.

Vielen Dank, dass Sie sich für ein Makita-Blasgerät entschieden haben. Wir freuen uns, Ihnen das Makita-Blasgerät anbieten zu können, es ist das Ergebnis eines langen Entwicklungsprogramms und jahrelanger Erfahrung und Kenntnisse.

Die Blasgeräte-Modelle BHX2501 verbinden die Vorteile, auf dem neuesten technischen Stand zu sein mit einem ergonomischen Design. Sie haben ein geringes Gewicht, sind handlich, kompakt und bieten die professionelle Ausrüstung für eine große Vielzahl von Anwendungsbereichen.

Bitte lesen, verstehen und befolgen Sie diese Anleitung, in der die verschiedenen Punkte, welche die hervorragende Leistung dieses Produkts demonstrieren, ausführlich behandelt werden. Dies wird Ihnen dabei helfen, die bestmöglichen Resultate von Ihrem Makita-Blasgerät auf sichere Weise zu erhalten.



Inhaltsverzeichnis

	Seite
SYMBOLE	38
SICHERHEITSHINWEISE	39
EG-KONFORMITÄTSERKLÄRUNG	42
TECHNISCHE DATEN	42
BEZEICHNUNG DER TEILE	43
MONTAGEANLEITUNG	44
VOR INBETRIEBNAHME DES GERÄTES	45
BETRIEB	47
LEERLAUFEINSTELLUNG	48
ARBEITEN	49
WARTUNGSARBEITEN	51
LAGERUNG	53
STÖRUNGSSUCHE	55

SYMBOLE

Es ist sehr wichtig, die nachfolgenden Symbole zu verstehen, wenn Sie diese Betriebsanleitung lesen.

	WARNUNG/GEFAHR		Kraftstoff (Benzin)
	Betriebsanleitung lesen und Warnung Sicherheitshinweise befolgen!		Motor starten
	Verboten		NOT AUS
	Rauchen verboten		Erste Hilfe
	Keine offene Flamme		Recycling
	Schutzhandschuhe tragen		DER GRÜNE PUNKT
	Personen und Tiere aus dem Arbeitsbereich fernhalten!		EIN/START
	Augen- und Gehörschutz tragen!		AUS/STOP
	Gefahrenbereich fernhalten		Amputation vom Finger oder von der Hand, Rotorblatt
			CE-Kennzeichnung

SICHERHEITSHINWEISE

Allgemeine Hinweise

- Zur Gewährleistung der sicheren Handhabung muss die Bedienperson unbedingt diese Betriebsanleitung ganz lesen, um sich mit der Handhabung des Blasgerätes vertraut zu machen (1). Unzureichend informierte Bediener können sich und andere Personen durch unsachgemäßen Gebrauch gefährden.
- Es ist ratsam, das Blasgerät nur an Personen zu verleihen, die erwiesenermaßen Erfahrung im Umgang mit Blasgeräten haben.
- Die Betriebsanleitung ist dabei zu übergeben.
- Erstbenutzer von Blasgeräten sollten sich vom Verkäufer einweisen lassen.
- Kinder und Jugendliche unter 18 Jahren dürfen das Blasgerät nicht bedienen. Jugendliche über 16 Jahre sind von diesem Verbot ausgenommen, wenn sie zum Zwecke der Ausbildung unter Aufsicht eines Fachkundigen stehen.
- Das Arbeiten mit dem Blasgerät erfordert hohe Aufmerksamkeit.
- Nur in guter körperlicher Verfassung arbeiten.
- Alle Arbeiten ruhig und umsichtig durchführen. Der Bediener ist gegenüber Dritten verantwortlich.
- Niemals unter Einfluss von Alkohol oder Drogen arbeiten (2).
- Niemals müde arbeiten.
- Zu Nachschlagezwecken Betriebsanleitung sorgfältig aufbewahren.

Persönliche Schutzausrüstung

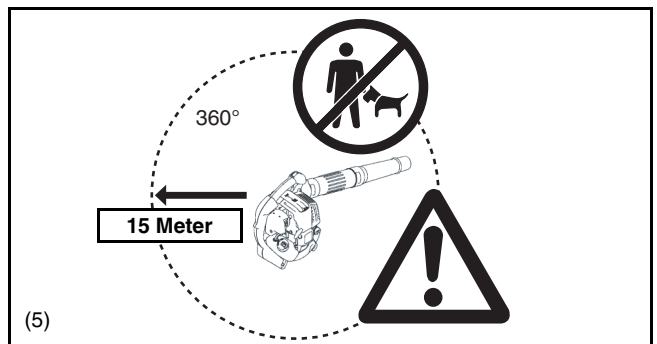
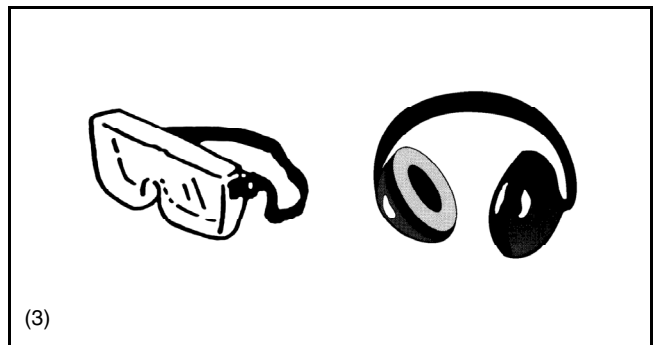
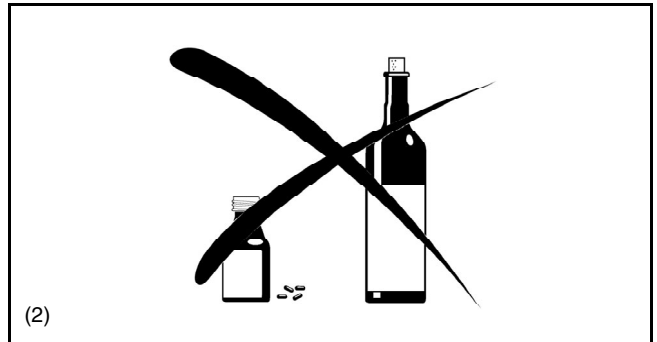
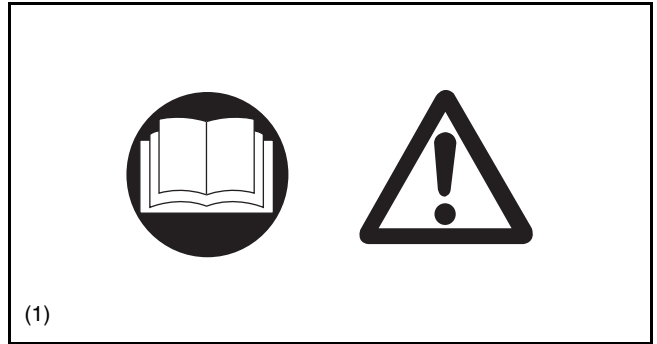
- Die Kleidung soll zweckmäßig, d. h. eng anliegend, aber nicht hinderlich sein. Tragen Sie keinen Schmuck, Kleidung oder lange Haare, die in den Lufteinlaß gelangen können.
- Um beim Arbeiten Verletzungen von Kopf, Augen, Hand oder Fuß sowie Gehörschäden zu vermeiden, müssen die nachfolgend beschriebenen Körperschutzausrüstungen und Körperschutzmittel während der Benutzung des Blasgerätes getragen werden.

Insbesondere ist folgendes zu beachten:

- Die Kleidung soll fest und eng anliegend sein, aber nicht in der Bewegungsfreiheit behindern. Vermeiden Sie locker sitzende Jacken, ausgestellte oder umgeschlagene Hosen, Schals, offenes langes Haar oder Gegenstände, die in den Lufteinlass gesaugt werden könnten. Als Beinschutz stets eine lange Hose oder Overall tragen. Nicht in kurzen Hosen arbeiten. (4)
- Zur Vermeidung von Gehörschäden sind geeignete Schallschutzmittel zu tragen (Gehörschutz, Kapseln). Personen, die das Gerät wiederholt oder regelmäßig verwenden, sollten Ihr Gehör in regelmäßigen Abständen prüfen lassen (3).
- Arbeitshandschuhe sind beim Arbeiten mit dem Blasgerät ständig zu tragen. Ein guter Halt ist sehr wichtig. Tragen Sie feste Schuhe mit griffiger Sohle. (4)
- Ein ordnungsgemäßer Augenschutz ist absolut erforderlich. Obwohl der Auslass weg vom Bediener gerichtet ist, kann ein Abprallen oder Rückprall während der Anwendung des Blasgerätes auftreten (3).
- Verwenden Sie das Blasgerät niemals ohne eine Schutzbrille zu tragen oder eine ordnungsgemäß sitzende Sicherheitsbrille mit ausreichendem seitlichen und oberen Schutz, entsprechend ANSI Z 87.1 (oder der für Ihr Land zutreffenden Norm).

Anlassen des Blasgerätes

- Sicherstellen, dass sich im Arbeitsbereich von 15 Metern (5) keine Kinder oder weitere Personen aufhalten. Achten Sie auch auf Tiere. Verwenden Sie das Blasgerät niemals in städtischen Gebieten.
- Vor Arbeitsbeginn Blasgerät auf betriebssicheren Zustand prüfen: Prüfen Sie die Sicherheit und leichtgängigkeit des Gashebels. Prüfen Sie die Gashebel-Arretierung auf ordnungsgemäße Funktion. Prüfen Sie, ob die Gashebelsperre einwandfrei funktioniert. Vergewissern Sie sich, dass die Handgriffe sauber und trocken sind, und überprüfen Sie die Funktion des Ein-Aus-Schalters. Halten Sie die Handgriffe frei von Öl und Kraftstoff.

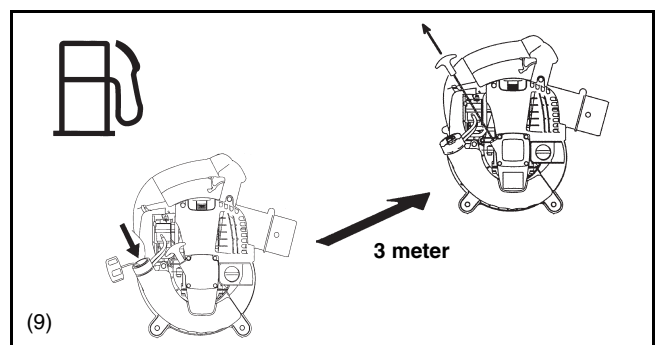
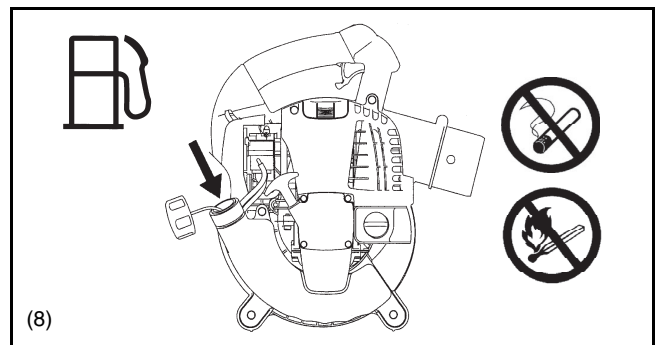
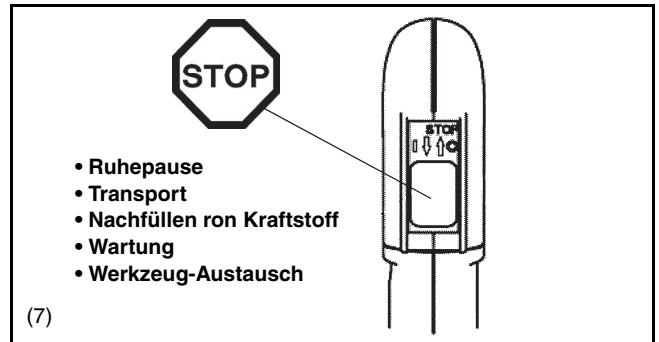
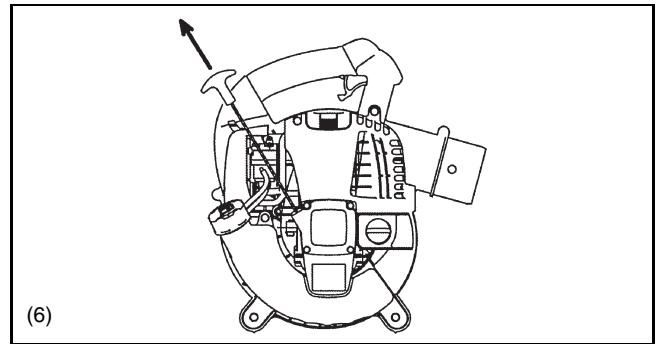


Blasgerät nur wie in der Betriebsanleitung beschrieben starten.
Andere Anwerftechniken sind nicht zulässig (6).

- Verwenden Sie das Blasgerät und die Werkzeuge nur für die angegebenen Anwendungsbereiche.
- Blasgerät erst nach komplettem Zusammenbau starten. Grundsätzlich darf das Gerät nur komplett montiert benutzt werden!
- Gerät sofort ausschalten bei spürbaren Veränderungen im Geräteverhalten.
- Beim Arbeiten mit dem Blasgerät Bediengriff stets mit dem Daumen und Zeigefinger fest umfassen, um das Gerät kontrolliert führen zu können. Sicherstellen, dass der Bediengriff (und der Griff für das Sauger-Zusatzgerät) nicht beschädigt, sauber und trocken ist. Auf sicheren Stand muss laufend geachtet werden.
- Das Blasgerät ist so zu handhaben, dass Abgase nicht eingeatmet werden können. Nicht in geschlossenen Räumen arbeiten (Erstickungs- und Vergiftungsgefahr). Kohlenmonoxyd ist ein geruchloses Gas. Für ausreichenden Luftaustausch im Arbeitsgebiet sorgen.
- In Arbeitspausen und vor dem Verlassen ist das Blasgerät auszuschalten und so abzustellen, dass niemand gefährdet werden kann. Legen Sie das Gerät an einen sicheren Ort, um eine Gefahr für andere Personen, das Entflammen von entzündbaren Materialien oder Schäden an dem Gerät zu vermeiden.
- Blasgerät nicht ins trockene Gras oder neben leicht entzündliche Gegenstände stellen.
- Alle mit der Maschine gelieferten Schutzteile und Schutzhauben müssen während des Betriebs benutzt werden.
- Blasgerät nicht mit defektem Schalldämpfer betreiben.
- Beim Transport ist der Motor auszuschalten (7).
- Beim Transport im PKW oder LKW ist auf sichere Lage des Gerätes zu achten um ein Auslaufen von Kraftstoff zu vermeiden.
- Beim Transport muss der Kraftstofftank vollständig entleert sein.

Nachfüllen von Kraftstoff

- Beim Betanken des Blasgerätes ist der Motor auszuschalten (7). Rauchen und jedes offene Feuer (8) ist nicht zulässig.
- Hautkontakt mit Mineralölprodukten vermeiden. Kraftstoffdämpfe nicht einatmen. Beim Betanken Schutzhandschuhe tragen. Schutzkleidung regelmäßig wechseln und reinigen.
- Darauf achten, dass weder Kraftstoff noch Öl ins Erdreich gelangen (Umweltschutz). Wenn Kraftstoff verschüttet wurde, Blasgerät sofort säubern. Lassen Sie nasse Tücher trocknen, bevor Sie sie in einem ordnungsgemäß abgedeckten Behälter entsorgen, um Selbstentzündung zu verhüten.
- Kraftstoff nicht mit Kleidung in Berührung bringen. Falls Kraftstoff an die Kleidung gelangt, Kleidung sofort wechseln (Verbrennungsgefahr).
- Verschlusschraube für Kraftstofftank regelmäßig auf Dichtheit prüfen.
- Verschlusschraube gut verschließen. Zum Starten des Blasgerätes den Standort wechseln (mindestens 3 Meter entfernt vom Tankplatz) (9).
- Nicht in geschlossenen Räumen tanken. Kraftstoffdämpfe sammeln sich am Boden (Explosionsgefahr).
- Kraftstoffe nur in zugelassenen und gekennzeichneten Kanistern transportieren und lagern. Kraftstoffe Kindern nicht zugänglich machen.
- Bei heißem oder laufendem Motor darf das Blasgerät nicht betankt werden.



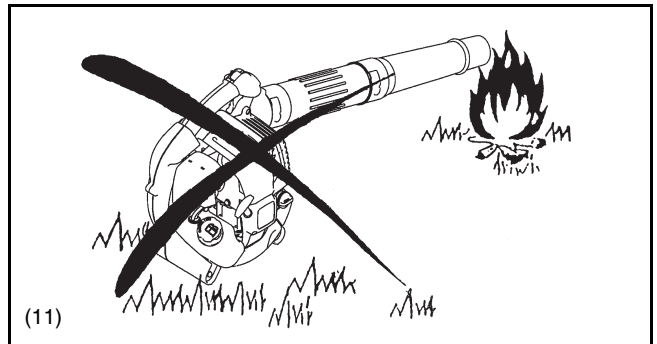
Arbeitsverhalten und -technik

- Nur bei guten Sicht- und Lichtverhältnissen arbeiten. Während der kalten Jahreszeit besonders auf Glätte, Nässe, Eis und Schnee achten (Rutschgefahr).
Stets rutschfestes Schuhwerk tragen.
- Arbeiten Sie niemals auf instabilen Flächen oder in steilem Gelände.
- Blasgerät niemals auf andere Personen richten! Die austretende Luft steht unter hohem Druck und kann Schmutzpartikel enthalten, die zu Verletzungen an den Augen führen können.
- Führen Sie niemals irgendwelche Fremdkörper in den Lufteinlass der Maschine oder die Düse des Blasgerätes ein. Dadurch wird das Gebläserad beschädigt, was schwere Verletzungen der Bedienungsperson oder von Zuschauern zur Folge haben kann, weil der Fremdkörper oder Bruchstücke mit hoher Geschwindigkeit herausgeschleudert werden.
- Windrichtung beachten! Nicht gegen den Wind arbeiten.
- Um ein Stolpern zu vermeiden, beim Arbeiten mit dem Blasgerät nicht rückwärts gehen.
- Vor Reinigung und Wartung des Gerätes, muss der Motor abgestellt sein.



Wartungsvorschriften

- Denken Sie an die Umwelt. Das Blasgerät ist lärm- und abgasarm zu betreiben. Hierbei ist auf korrekte Vergasereinstellung zu achten.
- Blasgerät regelmäßig reinigen und alle Schrauben und Muttern auf festen Sitz kontrollieren.
- Blasgerät nicht in der Nähe von offenem Feuer, Funken usw. warten oder lagern (11).
- Das Blasgerät darf nur mit leerem Tank in abgeschlossenen und gut belüfteten Räumen gelagert werden.



Unfallverhütungsvorschriften der zuständigen Berufsgenossenschaft und der Versicherung beachten. Auf keinen Fall bauliche Veränderungen am Blasgerät vornehmen! Sie gefährden hierdurch Ihre Sicherheit!

Wartungs- und Instandsetzungsarbeiten dürfen nur soweit ausgeführt werden, wie sie in dieser Betriebsanleitung beschrieben sind. Alle übrigen Arbeiten sind von einer Vertragswerkstatt durchzuführen.

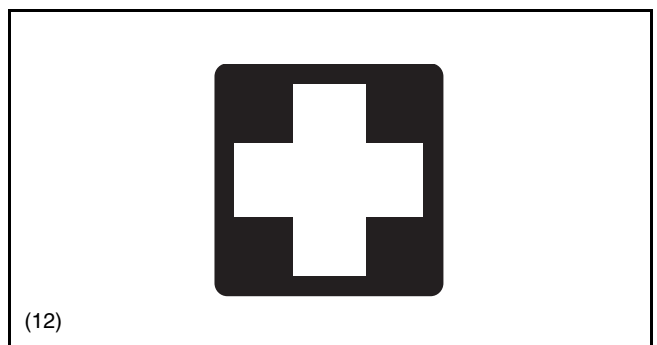
Verwenden Sie nur Original-Ersatzteile und -Zubehöerteile von Makita. Die Verwendung nicht zugelassener Zubehöerteile und Werkzeuge stellt eine erhöhte Unfall- und Verletzungsgefahr dar. Makita übernimmt keine Haftung für Unfälle oder Schäden, die durch den Gebrauch nicht zugelassener Vorrichtungen oder Zubehöerteile verursacht werden.

Erste Hilfe

Für einen eventuell eintretenden Unfall sollte immer ein Verbandskasten nach DIN 13164 am Arbeitsplatz vorhanden sein. Entnommenes Material sofort wieder auffüllen.

Wenn Sie Hilfe anfordern, geben Sie folgende Angaben:

- wo es geschah
- was geschah
- wieviele Verletzte
- welche Verletzungsart
- wer meldet!



Verpackung

Ihr Makita Blasgerät befindet sich zum Schutz vor Transportschäden in einem Karton. Kartonagen sind Rohstoffe und somit wiederverwendungsfähig oder können dem Rohstoffkreislauf (Altpapierverwertung) wieder zurückgeführt werden.



EG-KONFORMITÄTSERKLÄRUNG

Nur für europäische Länder

Die EG-Konformitätserklärung ist als Anhang A in dieser Bedienungsanleitung enthalten.

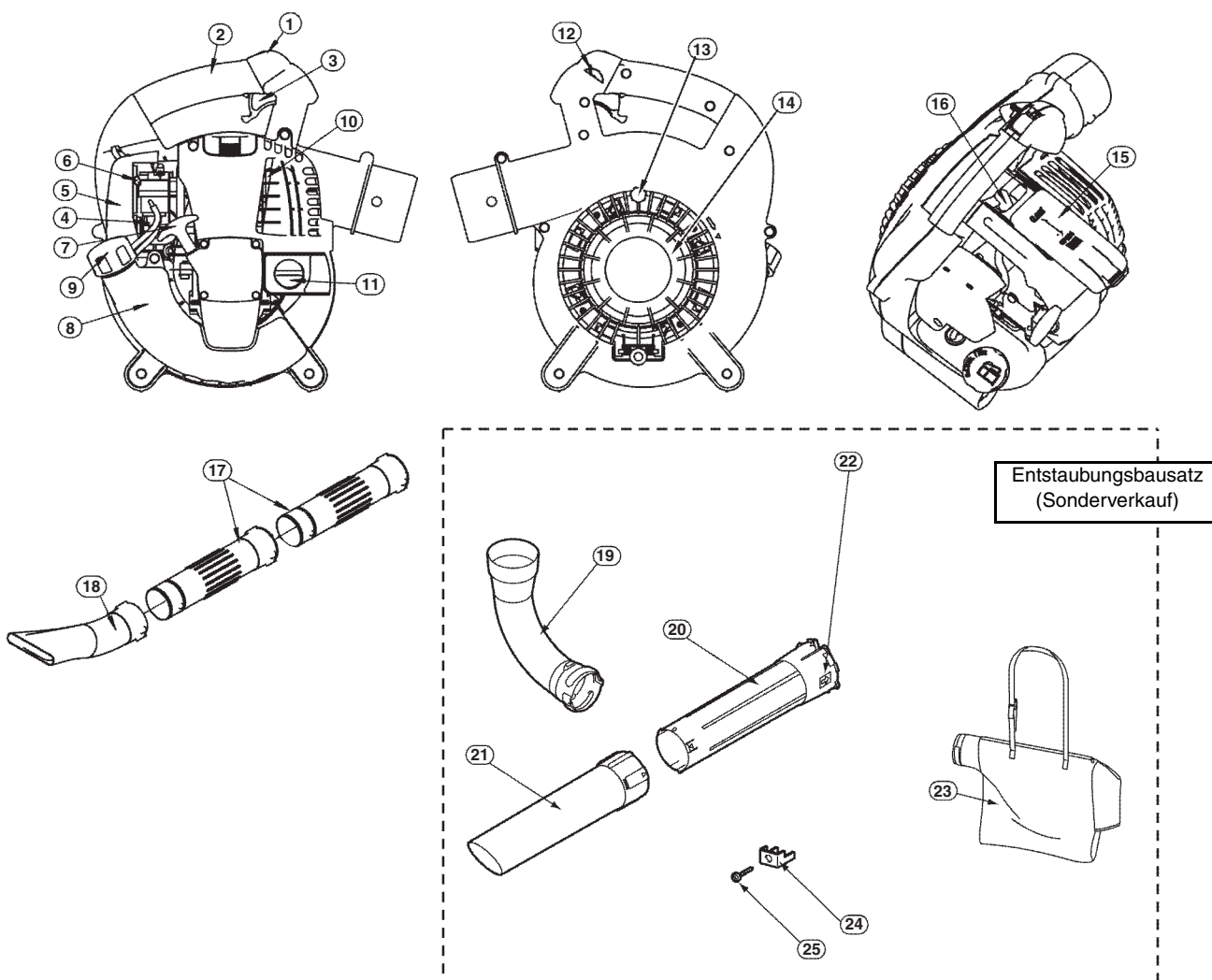
TECHNISCHE DATEN

Modell		BHX2501	BHX2501 mit Saugsatz
Gewicht (ohne Rohre)	(kg)	4,5	
Abmessungen (Länge x Breite x Höhe) (ohne Rohre)	(mm)	350 x 231 x 368	
Maximale Motordrehzahl	(min ⁻¹)	7.800	
Leerlaufdrehzahl	(min ⁻¹)	3.500	
Hubraum	(mL)	24,5	
Kraftstoff		Normalbenzin	
Kraftstofftankkapazität	(L)	0,52	
Motoröl		SAE 10W-30 Öl der API-Klassifizierung, SF-Klasse oder höher (für 4-Takt Motoröl)	
Motorölvolumen	(L)	0,08	
Vergaser (Membranvergaser)		WALBRO WYL	
Zündsystem		Festkörperzündung	
Zündkerze		NGK CMR6A	
Elektrodenabstand	(mm)	0,7 – 0,8	
Vibration gemäß ISO22867 (*Linke Seite/Rechte Seite)	$a_{hv\ eq}$ (m/s ²)	9,3	8,1/11,1*
	Unsicherheit K (m/s ²)	0,5	0,5/1,3*
Schalldruckpegel Durchschnitt gemäß ISO22868	$L_{PA\ eq}$ dB(A)	90,8	92,8
	Unsicherheit K dB(A)	1,4	3,8
Schalleistungspegel Durchschnitt gemäß ISO22868	$L_{WA\ eq}$ dB(A)	104,4	104,3
	Unsicherheit K dB(A)	1,6	1,5

Hinweis:

1. Verwenden Sie nur von MAKITA empfohlene Öle und Zündkerzen.
2. Die Spezifikation kann ohne Ankündigung geändert werden.

BEZEICHNUNG DER TEILE



BEZEICHNUNG DER TEILE	BEZEICHNUNG DER TEILE	BEZEICHNUNG DER TEILE	BEZEICHNUNG DER TEILE
1. Stoppschalter	8. Kraftstofftank / Hilfshandgriff	15. Kerzendeckel	22. Pfeilzeichen
2. Haupthandgriff	9. Kraftstofftankdeckel	16. Zündkerze	23. Saubtasche
3. Triggerhebel	10. Schalldämpfer	17. Ventilatorrohr	24. Halterung
4. Anlaßspritze	11. Öldeckel	18. Ventilatordüse	25. Schraube
5. Luftfilterdeckel	12. Gashebel-Arretierknopf	19. Krümmer	
6. Chokehebel	13. Schraube	20. Saugrohr A	
7. Starterhandgriff	14. Schützvorrichtung	21. Saugrohr B	

MONTAGEANLEITUNG



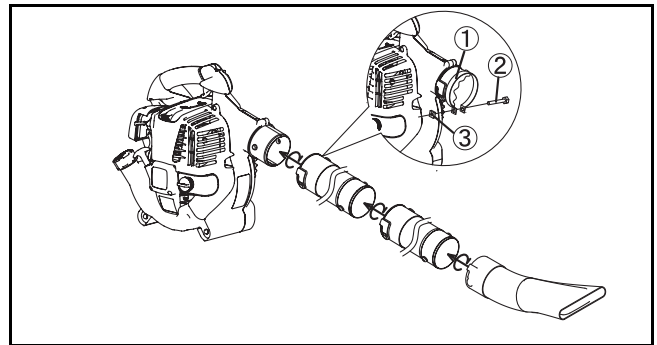
VORSICHT: Bevor Sie Arbeiten am Blasgerät ausführen, schalten Sie stets den Motor aus und ziehen Sie den Kerzenstecker von der Zündkerze ab.

Tragen Sie stets Schutzhandschuhe!

VORSICHT: Starten Sie das Blasgerät erst, wenn Sie es vollständig zusammengebaut haben.

1. MONTAGE DER BLASROHRE

- 1) Richten Sie die Bajonettverschlüsse der Blasrohre auf die Zapfen am Gehäuse des Blasgerätes aus und schieben das Rohr auf das Gehäuse.
- 2) Drehen Sie das Blasrohr bis zur Arretierung nach rechts.
- 3) Die Klemme ① um die Öffnung des Blasrohrs legen und mit dem Bolzen ② und der Mutter ③ sicher befestigen.



2. MONTAGE DES SAUGZUBEHÖRS

1) Installieren des Saugrohrs (Düse)

- (1) Lockern Sie die Schraube ④ und öffnen Sie die Schutzvorrichtung ⑤.



WARNUNG!

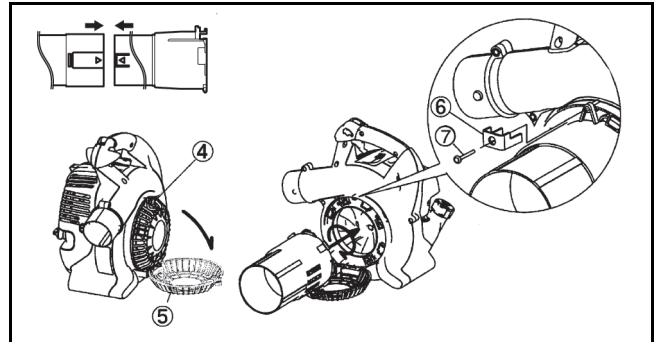
Wenn Sie das Blasgerät für Blasbetrieb benutzen, schließen Sie stets die Schutzkappe ⑤, und ziehen Sie die Schraube ④ vor dem Betrieb an. Anderenfalls kann das freiliegende Flügelrad Körperteile oder Kleidung erfassen und schwere Verletzungen verursachen.

Verwenden Sie die Saugrohre A und B immer zusammen. Anderenfalls kann eine Berührung mit dem Flügelrad schwere Verletzungen verursachen, wenn der Bediener versucht, gestauten Unrat im Rohr zu entfernen.

- (2) Richten Sie das Zeichen "▲" auf den Saugrohren A und B aus. Führen Sie das Saugrohr A in das Saugrohr B ein, bis drei Klinken einrasten.
- (3) Das Zeichen "●" auf dem Saugrohr A mit dem Zeichen "●" auf dem Blasgerät ausrichten. Führen Sie dann das Saugrohr in das Blasgerät ein.
- (4) Um das Saugrohr zu arretieren, drehen Sie das Saugrohr, bis das "MARK" Zeichen mit dem Zeichen "▼" auf dem Blasgerät übereinstimmt.
- (5) Das Vakuumrohr mit der Schraube ⑦ und der Halterung ⑥ sicher am Blasrohr befestigen. Ziehen Sie die Schraube nicht zu fest an, um Beschädigung von Teilen zu vermeiden.

Vorsicht: Führen Sie den Befestigungsvorgang im obigen Schritt (5) nicht durch, wenn das Blasgerät in einem Land oder einer Region benutzt werden soll, wo die CE-Kennzeichnung nicht anwendbar ist.

Anmerkung: Der Motor springt nicht an, wenn das Saugrohr nicht vollständig montiert ist.



2) Montage des Krümmers und des Staubbeutels

- (1) Öffnen Sie den Verschluss am Staubbeutel.
- (2) Führen Sie die geschiente Seite des Krümmers in den Staubbeutel ein, und nehmen Sie sie durch die Einlassöffnung des Beutels heraus.
- (3) Befestigen Sie den Krümmer mit dem Klettverschluss um die in der Abbildung gekennzeichnete Stelle.

VORSICHT

Montieren Sie den Staubbeutel von der geschienten Seite des Krümmers entfernt. Wird der Staubbeutel in die Nähe des Motors gebracht, können die Abgase den Staubbeutel versengen.

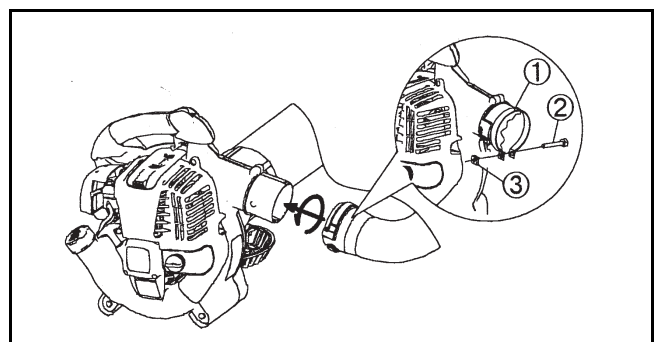
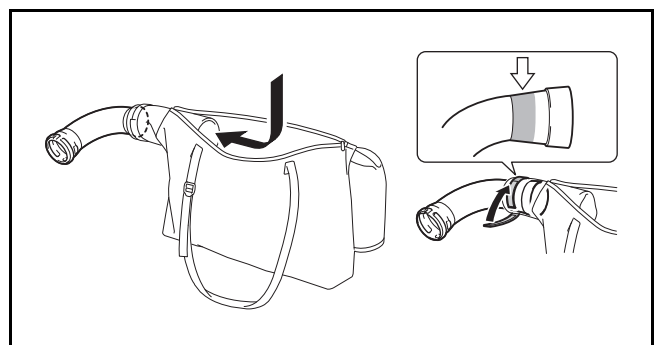
- (4) Montieren Sie den Krümmer am Blasgerät.
- (5) Die Klemme ① um die Öffnung des Krümmers legen und mit dem Bolzen ② und der Mutter ③ sicher befestigen.

Vorsicht: Führen Sie den Befestigungsvorgang im obigen Schritt (5) nicht durch, wenn das Blasgerät in einem Land oder einer Region benutzt werden soll, wo die CE-Kennzeichnung nicht anwendbar ist.



WARNUNG!

Versuchen Sie nicht, große Holzspäne, Metall, Glas, Steine, Flüssigkeit, brennende Zigaretten, Feuerwerkskörper oder ähnliches aufzusaugen.



VOR INBETRIEBNAHME DES GERÄTES

1. Motoröl überprüfen und bei Bedarf nachfüllen

(1) Führen Sie den folgenden Vorgang bei kaltem Motor durch.

Stellen Sie den Motor auf eine ebene horizontale Fläche, wie in Abbildung 1 dargestellt.

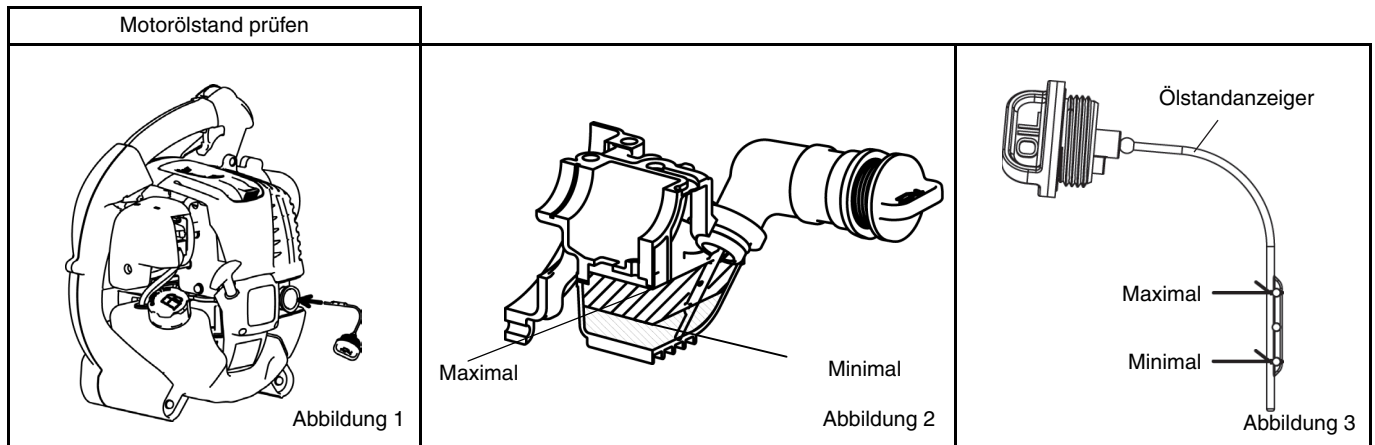
- Überprüfung: Den Öldeckel entfernen. Den Ölstandanzeiger sauber wischen. Den Öldeckel wieder einsetzen (Abbildung 2) und abnehmen. Prüfen, ob sich der Ölstand zwischen der unteren und oberen Pegelmarke des Ölstandanzeigers befindet.
- Nachfüllen: Ergibt die Überprüfung einen zu niedrigen Ölstand, Öl durch dieselbe Öffnung einfüllen, von welcher der Öldeckel entfernt wurde. Siehe Abbildung 4 zur Lage des Motors beim Einfüllen des Öls.

(2) Öl muss u. U. etwa alle 10 Betriebsstunden (nach jeweils 10 Auftankungen) nachgefüllt werden.

(3) Falls das Öl seine Farbe ändert oder sich mit Schmutz vermischt, ist das Öl zu wechseln. (Für das Wechselintervall und die Wechselmethode siehe S. 51.)

Empfohlenes Öl: SAE 10W-30 Öl der API-Klassifizierung, SF-Klasse oder höher (für 4-Takt Motoröl)

Ölmenge: Ca. 0,08 l

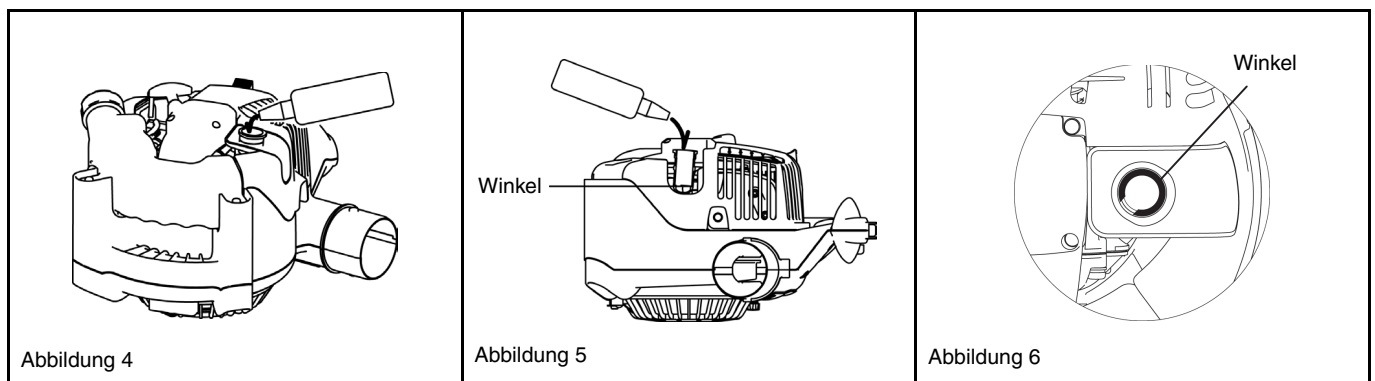


ANMERKUNG

- Steht der Motor nicht auf einer horizontalen Fläche, wie in Abbildung 1 dargestellt, erhält man u. U. eine ungenaue Ölstandanzeige.
- Wird Öl über den Maximalpegel hinaus eingefüllt, kann das Öl verschmutzt werden oder Feuer fangen und weißen Rauch erzeugen.

Ölwechsel und „Ölstandanzeiger“

- Entfernen Sie jeglichen Staub oder Schmutz um den Öl-Einfüllstutzen, bevor Sie den Ölpeilstab herausziehen.
- Achten Sie darauf, dass der Ölpeilstab nicht mit Sand oder Erde in Berührung kommt. Schmutz oder Sand im Öl kann den Ölkreislauf beeinträchtigen und durch frühzeitige Abnutzung mechanischer Teile Defekte verursachen.
- Um eine Verschmutzung des Ölpeilstabs zu vermeiden, kann er in die Motorverkleidung gesteckt werden.



Nach dem Einfüllen von Öl

- Verschüttetes Öl mit einem Lappen aufwischen.

2. Kraftstoffzufuhr



- Beachten Sie beim Betanken des Gerätes die folgenden Anweisungen, um Entzündung oder Brand zu verhindern:
 - Das Auftanken muss an einem feuerfreien Ort erfolgen. Bringen Sie niemals Feuer (brennende Zigaretten usw.) in die Nähe des Auftankortes.
 - Den Motor vor dem Auftanken abstellen und abkühlen lassen.
 - Den Kraftstofftankdeckel langsam öffnen. Anderenfalls kann Kraftstoff durch den internen Druck herauspritzen.
 - Achten Sie darauf, keinen Kraftstoff zu verschütten. Verschütteter Kraftstoff muss aufgewischt werden.
 - Das Betanken darf nur im Freien erfolgen.
- Behandeln Sie Kraftstoff mit Sorgfalt.
 - Kraftstoff, der auf die Haut oder in die Augen gelangt, kann Allergien oder Hautreizungen verursachen. Falls Sie irgendwelche körperlichen Unregelmäßigkeiten feststellen, konsultieren Sie sofort einen Facharzt.
- KEIN ÖL in den Kraftstofftank einfüllen.

Kraftstofflagerung

Verwenden Sie kein Benzin, das älter als 4 Wochen alt ist, auch wenn es in einem Spezialkanister an einem kühlen, schattigen Ort gelagert wurde.

Beachten Sie, dass Benzin in einem Tag verderben kann, falls der Kanister nicht verschlossen ist, oder zur Lagerung kein Spezialkanister verwendet wird.

Lagerung

- Stellen Sie Gerät und Kanister an einem kühlen Ort ohne direkte Sonneneinstrahlung.
 - Kraftstoff niemals in einem Auto aufbewahren.
-
-

KRAFTSTOFFTYP

Der Motor wird mit einem 4-Takt-Motor betrieben. Verwenden Sie nur bleifreies Normalbenzin.

Kraftstoffhinweise

- Verwenden Sie auf keinen Fall 2-Takt-Mischungen. Das dem Benzin beigemischte Motoröl verursacht übermäßige Kohlenstoffablagerungen. Das kann zu mechanischen Problemen führen.
 - Der Gebrauch von minderwertigem Benzin kann den Startvorgang erschweren oder unmöglich machen.
-
-

Vor dem Auftanken unbedingt den Motor abstellen und sicherstellen, dass er abgekühlt ist.

AUFTANKMETHODE

- Den Tankdeckel ein wenig lösen, um den Tankdruck abzulassen.
- Den Tankdeckel abnehmen, dann auftanken. Dabei Luft entweichen lassen, indem der Kraftstofftank so geneigt wird, dass die Kraftstoffeinfüllöffnung oben liegt.
(Kraftstoff NICHT bis zum Rand des Tanks einfüllen.)
- Nach dem Auftanken den Tankdeckel sicher festziehen.
- Falls der Tankdeckel irgendeinen Mangel oder Schaden aufweist, ist er auszutauschen.
- Der Tankdeckel verschleißt im Laufe der Zeit. Er ist alle zwei bis drei Jahre auszutauschen.
- KEINEN Kraftstoff in die Öleinfüllöffnung einfüllen.



1. Starten

WARNUNG

- Versuchen Sie niemals, den Motor am Auftankort anzulassen.
- Dies kann Entzündung oder Brand verursachen. Beim Starten des Motors einen Abstand von mindestens 3 m einhalten.
- Die Abgase des Motors sind giftig. Betreiben Sie den Motor nicht an einem schlecht belüfteten Ort, wie z. B. in einem Tunnel, Gebäude usw.
- Das Einatmen von Motorabgasen in höheren Konzentrationen führt zu einer Abgasvergiftung.
- Bei ungewöhnlichen Geräuschen, Geruch oder Schwingung nach Starten, sofort den Motor abstellen und Ursache soweit beheben, wie es diese Betriebsanleitung beschreibt.
- Der Gebrauch eines schadhafte n Gerätes kann zum Unfall führen.
- Vergewissern Sie sich, dass der Motor abgestellt wird, wenn der Stoppschalter in Position "O" betätigt wird.

1) Bei kaltem Motor oder nach dem Auftanken

- (1) Stellen Sie das Gerät auf eine ebene Fläche.
- (2) Stellen Sie den Stoppschalter auf Position „I“.
- (3) Betätigen Sie die Kraftstoffpumpe wiederholt, bis Benzin in der Pumpe sichtbar wird.
 - Normalerweise sind dazu 7 bis 10 Pumpbewegungen notwendig.
 - Bei übermäßigem Pumpen wird das überflüssige Benzin in den Benzintank zurückgeführt.
- (4) Den Chokehebel auf die geschlossene Stellung anheben (Abbildung 3).
- (5) Den Hauptgriff mit der linken Hand halten, um eine Bewegung des Motors zu verhindern.
- (6) Ziehen Sie mit geringem Kraftaufwand am Startergriff, bis Sie einen Widerstand spüren (Kompressionspunkt). Führen Sie dann den Startergriff zurück und ziehen Sie diesmal schnell und kräftig daran.
 - Das Seil niemals vollständig herausziehen.
 - Lassen Sie den Startergriff nach dem Anreißen des Motors nicht sofort los, sondern halten Sie den Griff in Ihrer Hand, bis er in seine Ausgangsposition zurückgekehrt ist.
- (7) Nachdem der Motor angesprungen ist, schieben Sie den Choke stufenweise nach unten, bis der Motor aufgewärmt ist.
 - Schieben Sie den Choke stufenweise und achten Sie dabei auf das Verhalten des Motors. Vergewissern Sie sich, dass der Choke vollständig geöffnet ist, wenn der Motor warm ist und rund läuft.
 - Falls Sie in kaltem Wetter oder bei einem Kaltstart nach dem Starten des Motors denn Choke plötzlich vollständig öffnen, kann es vorkommen, dass der Motor abstirbt.
- (8) Geben Sie dem Motor 2-3 Minuten Aufwärmzeit.
- (9) Der Warmlauf ist beendet, wenn der Motor von niedriger Drehzahl bis Vollgas schnell anspricht.

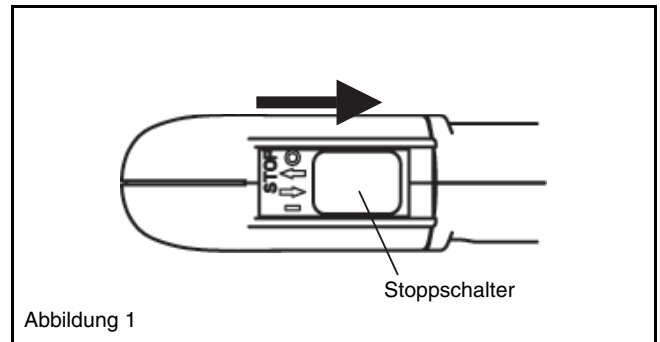


Abbildung 1

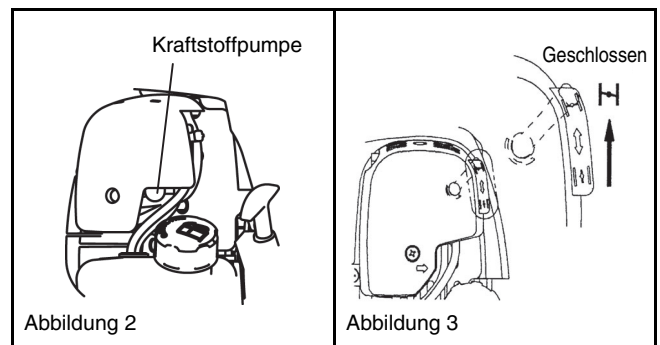


Abbildung 2

Abbildung 3

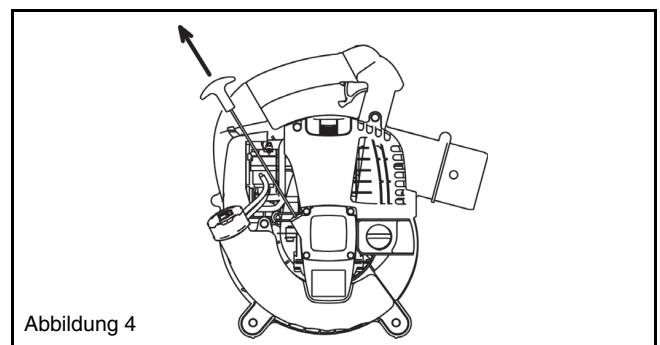


Abbildung 4

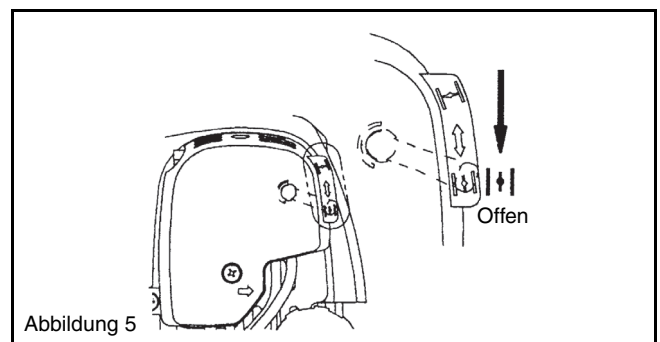


Abbildung 5

ANMERKUNG

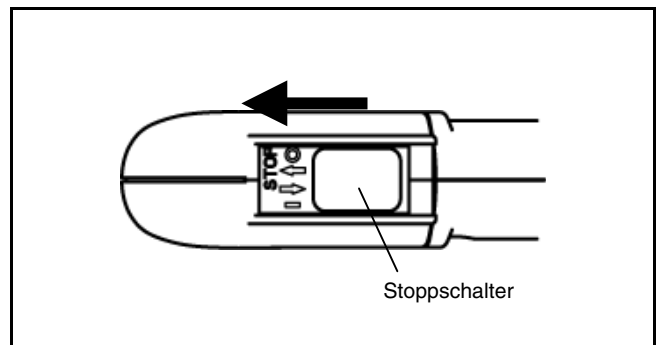
- Der Motor kann beschädigt werden, falls der Chochebel über die Stellung „CLOSE“ hinaus geschoben wird.
- Falls der Motor sofort nach dem Anspringen stehen bleibt, diesen Hebel auf die Stellung „OPEN“ zurückstellen, und den Startergriff mehrmals ziehen, um den Motor wieder zu starten.
- Wird der Startergriff mehrmals gezogen, während der Chochebel in der Stellung „CLOSE“ belassen wird, kann der Motor wegen Überfettung schwer zu starten sein.
- Bei Überfettung die Zündkerze herausdrehen, und den Handgriff mehrmals schnell ziehen, um überschüssigen Kraftstoff auszustoßen. Die Zündkerzenelektrode abtrocknen.
- Kontrollieren Sie den Anschlag der Leerlaufschraube. Falls der Drosselklappenhebel nicht bis an den Anschlag zurückgeführt wird, wenn der Gashebel losgelassen wird, überprüfen Sie den Bowdenzug auf Herausrutschen aus der Führung.

2) Warmstart

- (1) Stellen Sie das Gerät auf eine ebene Fläche.
- (2) Betätigen Sie die Kraftstoffpumpe einige Male.
- (3) Vergewissern Sie sich, dass der Chochebel geöffnet ist.
- (4) Den Hauptgriff mit der linken Hand halten, um eine Bewegung des Motors zu verhindern.
- (5) Ziehen Sie mit geringem Kraftaufwand am Startergriff, bis Sie einen Widerstand spüren (Kompressionspunkt). Führen Sie dann den Startergriff zurück und ziehen Sie diesmal schnell und kräftig daran.
- (6) Wenn der Motor nicht anspringt, betätigen Sie den Gashebel um 1/3 und starten Sie erneut.

2. Ausschalten

Lassen Sie den Auslöser los, um die Drehzahl des Motors zu verringern, und bringen Sie den Stoppschalter in die Position „O“.
(Geben Sie die Gashebelarretierung frei, wenn diese den Auslöser in der Vollgasposition arretiert.)



LEERLAUFEINSTELLUNG



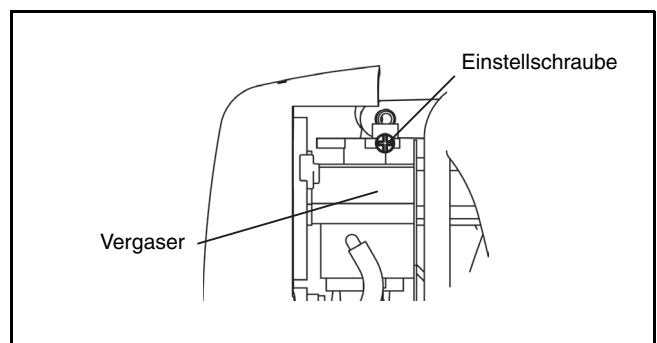
! GEFAHR

Der Vergaser ist werksseitig eingestellt. Bitte außer der Leerlaufeinstellung keine anderen Einstellungen vornehmen. Sollte trotzdem eine Neueinstellung notwendig sein, wenden Sie sich bitte die nächste Vertrags-Kundendienststelle.

Überprüfung der Leerlaufdrehzahl

Die Leerlaufdrehzahl sollte bei etwa 3500 rpm (min^{-1}) liegen.

- Verwenden Sie einen Kreuzschlitzschraubenzieher um, falls notwendig, eine Einstellungen am Vergaser vorzunehmen.
- Durch Drehen der Einstellschraube nach rechts wird die Motordrehzahl erhöht. Durch Drehen der Einstellschraube nach links wird die Motordrehzahl erniedrigt.



Verhütung von Vergaservereisung

BEMERKUNG

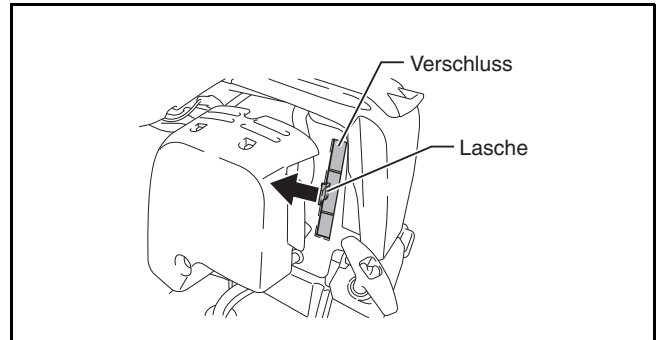
Schließen Sie stets den Verschluss (Normalstellung), wenn die Umgebungstemperatur über 10 °C liegt.
Anderenfalls kann der Motor durch Überhitzung beschädigt werden.

Wenn die Umgebungstemperatur niedrig und die Luftfeuchtigkeit hoch ist, kann Wasserdampf im Vergaser gefrieren, so dass der Motor unruhig läuft (Vergaservereisung).

Ändern Sie die Verschlusseinstellung bei Bedarf wie folgt.

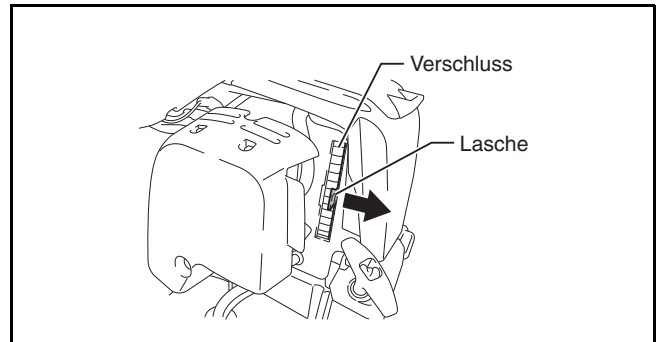
• Umgebung wärmer als 10 °C

Halten Sie die Lasche am Verschluss, und schieben Sie ihn nach links (geschlossene Stellung).



• Umgebung 10 °C oder kälter

Halten Sie die Lasche am Verschluss, und schieben Sie ihn nach rechts (offene Stellung).

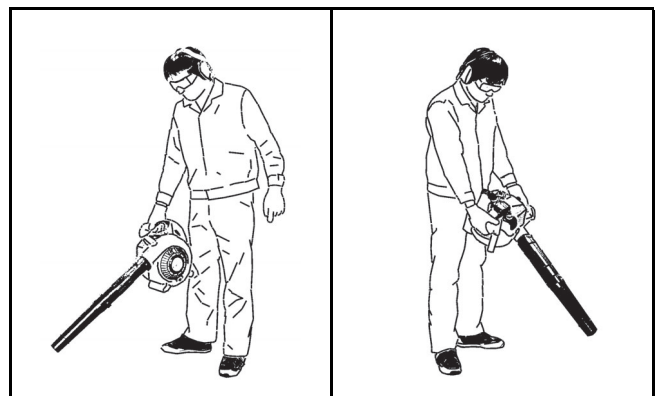


ARBEITEN



1. Arbeiten mit der Blasfunktion

- Halten Sie das Gerät gut fest bei der Arbeit.
- Halten Sie das Rorhende auf die zu kehrenden Objekte und drücken Sie den Gashebel.
- Ziehen Sie den Triggerhebel vollständig, während Sie den Gashebel-Arretierknopf niederhalten, und lassen Sie dann den Triggerhebel los, um ihn in der Vollgasposition zu arretieren.
- Ziehen Sie den Auslöser nochmals, um die Gashebelarretierung freizugeben.
- Das Gerät kann mit beiden Händen gehalten werden. Fassen Sie hierzu mit der rechten Hand den Haupthandgriff an.



2. Arbeiten mit der Saugfunktion

WARNUNG

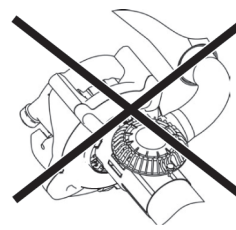
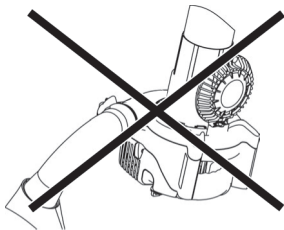
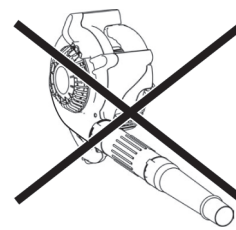
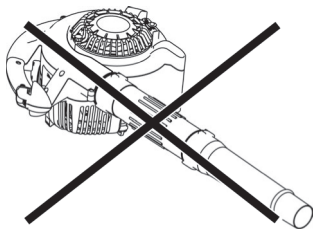
- Saugen Sie keine Flüssigkeiten (z.B. Benzin), brennende Zigaretten oder Ähnliches mit diesem Gerät ein.
 - Es besteht Brandgefahr.
- Saugen Sie keine zu großen Fremdkörper, wie zum Beispiel große Holzsplitter, Metall, Glas, Steine usw.
 - Es besteht die Gefahr der Beschädigung des Gerätes.
- Überfüllen des Staubsacks kann zu Überlaufen auf der Motorseite führen. Entleeren Sie den Sack, bevor er ganz voll wird.
 - Es besteht Brandgefahr.

- Hängen Sie den Traggurt des Staubbeutels über die Schulter und stellen Sie ihn auf Ihre Körpergröße ein.
- Vergewissern Sie sich, dass die Staubtasche nicht verdreht ist und betätigen Sie den Gashebel.
- Wenn der Staubsack voll ist, entfernen Sie ihn von der Maschine, und öffnen Sie den Verschluss, um den Sack zu entleeren.



ANMERKUNG

Wird diese Maschine betrieben, während die Schutzvorrichtung nach oben oder der Hauptgriff nach unten gerichtet ist, kann weißer Rauch austreten, oder das Öl kann verschmutzt werden oder auslaufen.





⚠ GEFAHR

- Vor jeder Wartungsarbeit, Motor abstellen und abkühlen lassen. Kerzenstecker und Zündkerze entfernen.
 - Falls der Versuch einer Überprüfung oder Wartung unmittelbar nach dem Abstellen des Motors oder bei angebrachtem Kerzenstecker unternommen wird, kann die Bedienungsperson Verbrennungen oder einen Unfall durch versehentliches Starten erleiden.
- Vergewissern Sie sich nach jeder Überprüfung und Wartung, dass alle Teile wieder eingebaut sind. Fahren Sie dann mit dem Betrieb fort.

1. Ölwechsel

Minderwertige Öle verkürzen die Lebensdauer des Gerätes beträchtlich. Überprüfen Sie die Zeitspanne und Menge des Wechsels.

⚠ GEFAHR

- Im Allgemeinen sind Motoreinheit und Motoröl unmittelbar nach dem Abstellen des Motors noch heiß. Vergewissern Sie sich beim Ölwechsel, dass Motoreinheit und Motoröl ausreichend abgekühlt sind. Anderenfalls besteht Verbrennungsgefahr. Nach dem Abstellen des Motors warten, bis das Motoröl in den Öltank zurückgelaufen ist, um eine genaue Ablesung des Ölstandanzeigers zu gewährleisten.
- Wird Öl über den Maximalpegel hinaus eingefüllt, kann das Öl verschmutzt werden oder Feuer fangen und weißen Rauch erzeugen.

Ölwechselintervall: Nach den ersten 20 Betriebsstunden, danach alle 50 Betriebsstunden

Empfohlenes Öl: SAE 10W-30 Öl der API-Klassifizierung, Klasse SF oder höher (4-Takt Motoröl)

Gehen Sie beim Ölwechsel wie folgt vor:

- (1) Vergewissern Sie sich, dass der Deckel des Benzintanks gut verschlossen ist.
- (2) Entnehmen Sie den Öldeckel.
 - Deponieren Sie den Ölmesstabs so, dass er nicht verschmutzt wird.
- (3) Die Maschine in der in Abbildung 1 gezeigten Reihenfolge neigen.
 - Lassen Sie das Öl in einen Behälter ab.
- (4) Die Maschine so ausrichten, wie in Abbildung 2 gezeigt, und Öl bis zum Absatz im Ölrohr einfüllen.
- (5) Setzen Sie den Ölmesstab wieder ein und schrauben Sie diesen vollständig fest. Ungenügendes Verschließen des Ölmesstabs kann ein Überlaufen von Öl zur Folge haben.

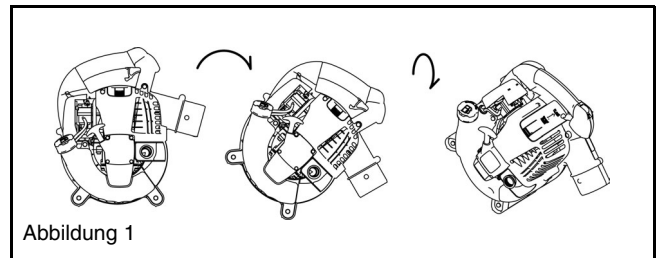


Abbildung 1

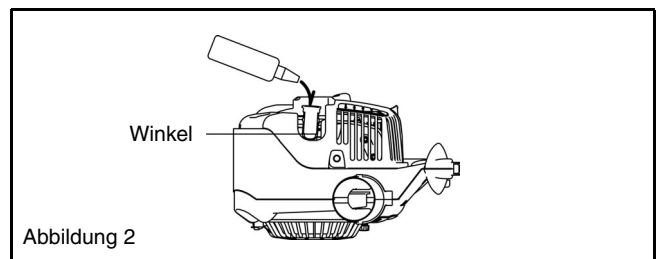


Abbildung 2

Öhinweise

- Schütten Sie Altöl niemals in den Müll, in den Boden oder in einen Abwassergraben. Die Entsorgung von Öl ist gesetzlich geregelt. Befolgen Sie bei der Entsorgung immer die einschlägigen Gesetze und Vorschriften. Bei Unklarheiten und Fragen bezüglich Altölentsorgung, wenden Sie sich bitte an die nächste Kundendienststelle.
- Beachten Sie, dass Öl auch bei Nichtgebrauch altert. Prüfen Sie ungebrauchtes Öl und ersetzen Sie es in regelmäßigen Zeitabständen (alle 6 Monate).

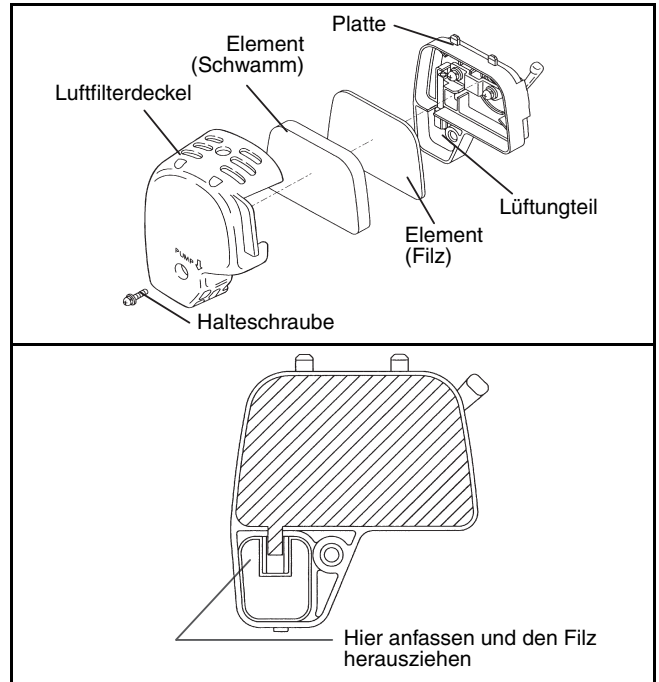
2. Reinigung des Luftreinigers



WARNUNG: ZÜNDSTOFFE STRENG VERBOTEN

Häufigkeit von Reinigung und Inspektion: täglich (alle 10 Betriebsstunden)

- (1) Entfernen Sie die Halteschraube des Luftreinigergehäuses.
- (2) Ziehen Sie den unteren Teil des Luftreinigergehäuses nach außen und heben Sie das Gehäuse ab.
- (3) Schließen Sie den Choke vollständig und vergewissern Sie sich, dass der Vergaser frei von Staub und Schmutz ist.
- (4) Wenn das Element (Schwamm) mit Öl getränkt ist, kräftig auspressen.
- (5) Bei hoher Verschmutzung:
 - Das Element (Schwamm) entfernen, in warmes oder mit mildem Reinigungsmittel verdünntes Wasser tauchen, und dann vollständig trocknen lassen.
 - Reinigen Sie das Element (Filz) mit Benzin, und lassen Sie es vollständig trocknen.
- (6) Bevor Sie die Elemente erneut einsetzen, müssen diese vollständig trocken sein. Feuchte Elemente können den Startvorgang erschweren.
- (7) Reinigen Sie mit einem sauberen Lappen den Luftfilterdeckel und die Platte.
- (8) Setzen Sie sofort nach der Reinigung das Gehäuse des Luftreinigers wieder auf und befestigen Sie es mit der Halteschraube (zuerst oberen Teil aufsetzen, dann unteren Teil einpassen).

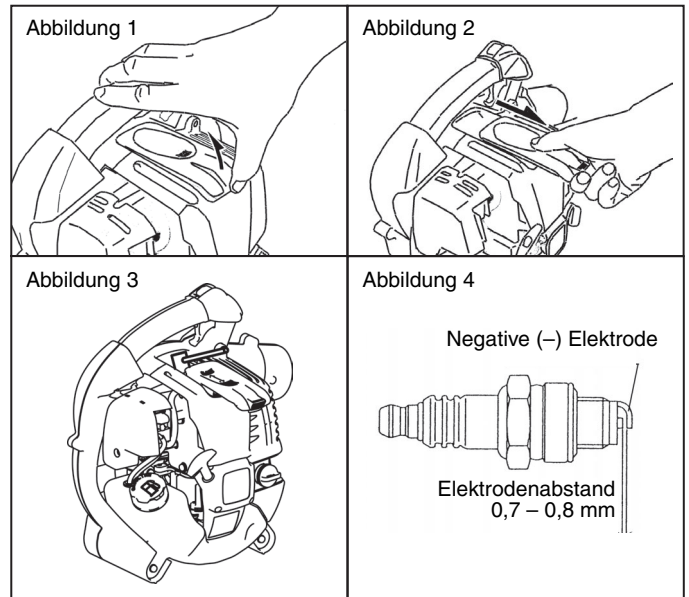


⚠️ GEFAHR

- Bei hoher Staubeinwirkung muss der Luftfilter mehrmals täglich gereinigt werden.
- Wenn Sie die Filterelemente nicht sauber halten, kann dies zur Verschmutzung des Vergasers führen.

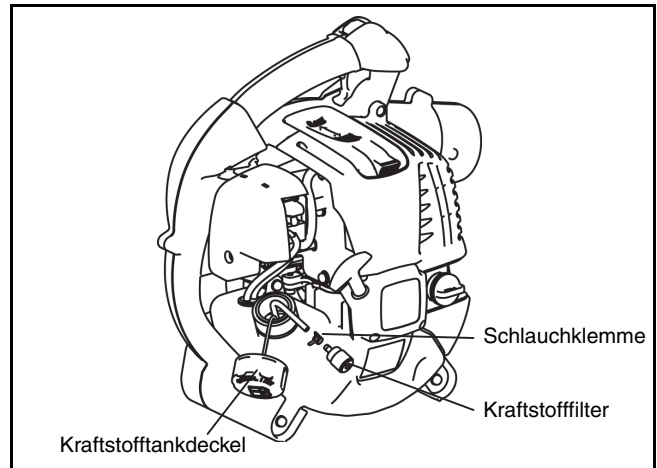
3. Zündkerze überprüfen

- (1) Öffnen/Schließen des Kerzedeckels
Zum Öffnen der Abdeckung den Hauptgriff und den Vorsprung der Zündkerzenabdeckung mit den Fingern fassen (Abbildung 1). Den Vorsprung hochdrücken, und die Abdeckung in Richtung „OPEN“ schieben (Abbildung 2). Die Abdeckung zum Schließen in Richtung „CLOSE“ schieben, bis die Raste unter dem Vorsprung der Zündkerzenabdeckung auf der Motorabdeckung ruht. Zum Schluss den Vorsprung hineindrücken.
- (2) Zündkerze herausschrauben
Verwenden Sie den im Lieferumfang enthaltenen Kombischlüssel zum Herausschrauben der Zündkerze.
- (3) Zündkerze überprüfen
Der Abstand zwischen den Elektroden der Zündkerze muss 0,7 bis 0,8 mm betragen (Abbildung 4). Benutzen Sie eine Fühlerleere, um den Abstand einzustellen. Bei Ablagerungen an den Elektroden sind diese mit einer Drahtbürste zu reinigen. Sind die Elektroden der Zündkerze abgebrannt, muss sie ersetzt werden.
- (4) Auswechseln der Zündkerze
Verwenden Sie NGK-CMR6A als Ersatz.



4. Kraftstofffilter reinigen

- Der Filzfilter des Saugkopfes kann sich im Gebrauch zusetzen. Verminderte Motorleistung ist die Folge.
- Überprüfen Sie den Kraftstofffilter regelmäßig wie folgt:
 - (1) Nehmen den Kraftstofftankdeckel ab. Entleeren Sie den Tank und vergewissern Sie sich, dass keine Fremdkörper in den Tank gelangen bzw. im Tank verbleiben.
 - (2) Ziehen Sie den Kraftstofffilter mit einem durch den Kraftstoffeinfüllstutzen eingeführten Draht heraus.
 - (3) Falls die Kraftstofffilteroberfläche schmutzig ist, reinigen Sie sie mit Benzin.
Das für die Reinigung verwendete Benzin muss gemäß der von der jeweiligen örtlichen Behörde vorgeschriebenen Methode entsorgt werden.
Ein stark verschmutzter Filter muss ausgetauscht werden.
 - (4) Füllen Sie neues Benzin in den Tank und verschließen Sie sorgfältig den Kraftstofftankdeckel. Ersatz-Kraftstofffilter bekommen Sie im autorisierten Service Center.



5. Überprüfung von Bolzen, Muttern und Schrauben

- Ziehen Sie lose Schrauben und Muttern wieder an.
- Überprüfen Sie den Motor nach Öl- und Benzinlecks.
- Ersetzen Sie defekte Teile um sicheren Betrieb zu gewährleisten.

6. Reinigung

- Halten Sie den Motor durch Abwischen mit einem Lappen sauber.
- Halten Sie die Kühlrippen des Motors immer frei von Staub und Schmutz. An den Lamellen haftender Staub oder Schmutz verursacht Festfressen.

7. Ersetzen von Dichtungen

Dichtungen sind im Falle einer Zerlegung des Motors auszutauschen.

Alle Einstellungs- und Wartungsarbeiten, die nicht in dieser Betriebsanleitung beschrieben werden, müssen von qualifiziertem Servicepersonal ausgeführt werden.

LAGERUNG

⚠️ WARNUNG

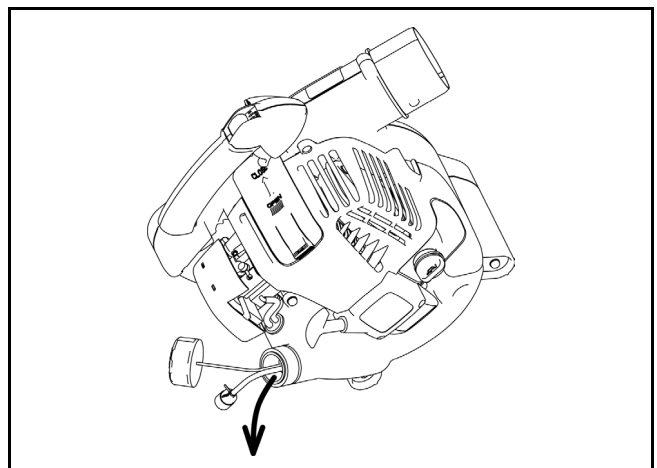
- Wenn Kraftstoff ausläuft, sofort Motor ausstellen und abkühlen lassen.
- Anderenfalls kann es zu Verbrennungen oder einem Brand kommen.

⚠️ GEFAHR

- Soll die Maschine längere Zeit gelagert werden, den Kraftstoff restlos von Kraftstofftank und Vergaser ablassen, und die Maschine an einem trockenen und sauberen Ort aufbewahren.

Tank entleeren und Vergaser (Benzin-Leitungssystem) leerfahren:

- (1) Nehmen den Kraftstofftankdeckel ab.
Entleeren Sie den Tank und vergewissern Sie sich, dass keine Fremdkörper in den Tank gelangen bzw. im Tank verbleiben.
- (2) Ziehen Sie den Kraftstofffilter mit einem Draht durch die Tankverschlussöffnung heraus.
- (3) Drücken Sie die Kraftstoffpumpe, bis kein Benzin mehr zu sehen ist. Entleeren Sie anschließend den Tank erneut.
- (4) Drücken Sie den Kraftstofffilter in den Tank und schrauben Sie den Tankdeckel auf.
- (5) Starten Sie den Motor und lassen Sie ihn bis zum Stillstand laufen.
- (6) Nehmen Sie die Zündkerze ab, und tropfen Sie mehrere Tropfen Motoröl durch das Zündkerzeloch.
- (7) Ziehen Sie den Startergriff, so dass sich das Motoröl im Zylinder verbreiten. Setzen Sie die Zündkerze wieder ein.
- (8) Die Maschine mit oben liegendem Griff aufbewahren.
- (9) Restkraftstoff nur in gekennzeichneten und geprüften Benzinkanistern aufbewahren.



Fehlererkennung

Fehler	System	Zustand	Ursache
Motor startet nicht oder nur mit Schwierigkeiten	Zündsystem	Zündfunke vorhanden	Fehler in der Kraftstoffzufuhr oder in der Kompression, mechanischer Defekt.
		Kein Zündfunke	START(I)/STOPP(O)-Schalter in STOPP-Stellung; Verdrahtungsfehler oder Kurzschluss, Zündkerze oder Kerzenstecker defekt, fehlerhaftes Zündmodul.
	Kraftstoffzufuhr	Benzintank voll	Falsche Choke-Stellung, Vergaser defekt, Ansaugkopf verschmutzt, Benzinleitung geknickt oder verstopft, verschmutztes Benzin.
	Kompression	Keine Kompression beim Durchziehen	Zylinderbodendichtung defekt, Pleuellendichtungen beschädigt, Zylinder- oder Pleurerringe schadhaf, Dichtung der Zündkerze ist defekt oder passt nicht.
	Mechanischer Fehler	Anlasser funktioniert nicht	Defekte Rückholfeder, defekte Motorteile.
Probleme beim Warmstart		Tank voll, Zündfunke vorhanden	Vergaser verschmutzt (Vergaser reinigen lassen).
Motor startet, stirbt aber gleich wieder ab	Kraftstoffzufuhr	Tank voll	Leerlauf schlecht eingestellt, Ansaugkopf oder Vergaser verschmutzt. Benzintank-Entlüftung defekt, Benzinleitung unterbrochen, Kabel oder STOPP(O)-Schalter fehlerhaft.
Unbefriedigende Leistung	Mehrere Systeme können gleichzeitig betroffen sein	Verhalten des Motors im Leerlauf unbefriedigend	Luftfilter verschmutzt, Vergaser verschmutzt, Auspuffdämpfer verstopft, Zylinderauslass verstopft.

Artikel	Betriebszeit								Betriebsein- stellung/ Pause	Entspre- chende Seite
		Vor Inbe- trieb- nahme	Nach Schmie- rung	Täglich (10 Std.)	30 Std.	50 Std.	200 Std.			
Motoröl	Prüfen/Reinigen	○								45
	Auswechseln					○*1				51
Befestigungen (Schrauben, Muttern)	Prüfen	○								53
Benzintank	Reinigen/Prüfen	○								–
	Restbenzin aufbrauchen							○*3		53
Gashebel	Funktionscheck		○							–
Stopschalter	Funktionscheck		○							48
Leerlauf	Prüfen/Einstellen			○						48
Luftreiniger	Reinigen			○						52
Zündkerzenstecker	Prüfen			○						52
Kühlluftschacht	Reinigen/Prüfen			○						53
Benzinleitung	Prüfen			○						53
	Auswechseln.							◎*2		–
Benzinfilter	Reinigen/ Auswechseln					○				53
Freiraum zwischen Lufteinlass- und Luftauslassventil	Einstellen							◎*2		–
Ölleitung	Prüfen							◎*2		–
Motor überholen								◎*2		–
Vergaser	Restbenzin aufbrauchen							○*3		53

*1 Bei fabrikneuem Gerät: erster Ölwechsel nach 20 Betriebsstunden.

*2 Für den Jahresservice (oder nach 200 Betriebsstunden), wenden Sie sich an eine Vertrags-Kundendienststelle.

*3 Lassen Sie nach dem Entleeren des Benzintanks den Motor laufen, bis das Restbenzin im Vergaser aufgebraucht ist.

STÖRUNGSSUCHE

Falls das Gerät nicht ordnungsgemäß funktioniert, suchen Sie zuerst in der Liste unten nach möglichen Fehlerquellen und den entsprechenden Maßnahmen zur Behebung der Störung. Führen Sie keine Wartungs- oder Reparaturarbeiten durch, die nicht ausdrücklich in dieser Betriebsanleitung beschrieben sind. Für Reparaturen und periodischen Service wenden Sie sich bitte an Ihren Händler oder an eine bevollmächtigte Kundendienststelle in Ihrer Nähe.

Störung	Mögliche Ursache (Funktionsfehler)	Maßnahme zur Behebung
Motor springt nicht an.	Anlass-Einspritzpumpe wurde nicht betätigt.	Drücken Sie 7 bis 10 mal.
	Mit zu wenig Kraft am Starterseil gezogen.	Kräftig ziehen.
	Kein Benzin im Tank.	Benzin nachfüllen.
	Benzinfilter verstopft.	Reinigen.
	Geknickte Benzinleitung.	Benzinleitung geradebiegen.
	Qualitätsverschlechterung beim Benzin.	Minderwertiges Benzin erschwert den Startvorgang. Tank entleeren und frisches Benzin nachfüllen. (Empfohlene Verbrauchsdauer für Benzin: ca. 1 Monat).
	Übermäßige Benzinzufuhr.	Stellen Sie den Gashebel auf mittlere bis hohe Geschwindigkeit und ziehen Sie am Starterseil bis der Motor anspringt. Falls der Motor immer noch nicht anspringt, entnehmen Sie die Zündkerze und trocknen Sie die Elektroden. Schrauben Sie die Zündkerze wieder ein und versuchen Sie noch einmal, den Motor zu starten.
	Kerzenstecker lose.	Einwandfrei anbringen
	Schmutzige Zündkerze.	Reinigen
	Abnormaler Elektroden-Abstand.	Abstand justieren
	Andere Abnormitäten an der Zündkerze.	Auswechseln.
	Vergaser funktioniert nicht richtig.	Überprüfen und reparieren lassen.
	Starterseil kann nicht gezogen werden.	Überprüfen und reparieren lassen.
	Antriebssystem funktioniert nicht richtig.	Überprüfen und reparieren lassen.
Motor stirbt nach dem Anlassen gleich wieder ab. Motors kann nicht beschleunigt werden.	Motor unzureichend aufgewärmt.	Den Motor genügend aufwärmen.
	Choke ist geschlossen, obwohl Motor warm ist.	Choke öffnen.
	Benzinfilter verstopft.	Reinigen.
	Luftreiniger verstopft oder verschmutzt.	Reinigen.
	Vergaser funktioniert nicht richtig.	Überprüfen und reparieren lassen.
	Antriebssystem funktioniert nicht richtig.	Überprüfen und reparieren lassen.
	Losgelöster Gaszug	Einwandfrei anbringen
	Antriebssystem funktioniert nicht richtig.	Überprüfen und reparieren lassen.
Motor lässt sich nicht abstellen.	Losgelöster Stecker	Einwandfrei anbringen
	Elektrisches System funktioniert nicht richtig.	Überprüfen und reparieren lassen.
Bei Leerlauf Choke schließen.		

Wenn der Motor nach dem Warmlaufbetrieb nicht anspringt:
Falls keine Unregelmäßigkeit bei den Prüfpunkten festgestellt wird, den Gashebel um etwa 1/3 betätigen, und den Motor starten.

Vi ringraziamo per aver scelto il soffiatore Makita. Siamo lieti di potervi offrire questo apparecchio, risultato di un lungo programma di sviluppo e di anni di anni di conoscenza e di esperienza.

Il soffiatore modello BHX2501 unisce i vantaggi della più moderna tecnologia ad un design ergonomico; i nostri apparecchi sono leggeri, maneggevoli, compatti e rappresentano la soluzione professionale per un gran numero di applicazioni.

Vi preghiamo di leggere e seguire il manuale che descrive in ogni dettaglio vari punti che dimostreranno le straordinarie prestazioni di questo apparecchio. Ciò aiuta a ottenere con sicurezza i risultati migliori possibili da questo soffiatore Makita.



Indice

	Pagina
SIMBOLI	56
NORME DI SICUREZZA.....	57
DICHIARAZIONE DI CONFORMITÀ CE	60
CARATTERISTICHE TECNICHE.....	60
NOME DEI COMPONENTI.....	61
MONTAGGIO	62
PRIMA DELLA MESSA IN MOTO.....	63
UTILIZZO	65
REGOLAZIONE DEL MINIMO.....	66
METODO DI LAVORO	67
CONTROLLI E MANUTENZIONE	69
IMMAGAZZINAGGIO.....	71
SOLUZIONE DEI PROBLEMI.....	73

SIMBOLI

E' molto importante conoscere il significato dei simboli contenuti in questo manuale d'istruzioni:

	ATTENZIONE/PERICOLO		Carburante (Benzina)
	Leggere, comprendere il manuale e seguire le istruzioni		Avviamento manuale
	Vietato		Arresto di emergenza
	Vietato fumare		Misure di pronto soccorso
	Non utilizzare fiamme libere		Riciclaggio
	Indossare i guanti protettivi		Riciclaggio
	Tenere persone ed animali lontano dal raggio d'azione dell'apparecchio		ON/Avviamento
	Indossare occhiali e cuffie di protezione		OFF/ARRESTO
	Tenere persone lontane		Mutilazione del dito o del braccio, Paletta della girante
			Marchio (CE)

NORME DI SICUREZZA

Istruzioni generali

- Per un uso corretto e sicuro è necessario leggere, comprendere e seguire le istruzioni contenute nel manuale in modo da acquisire familiarità con l'uso del soffiatore (1). Gli utenti insufficientemente informati costituiscono un pericolo per sé stessi e per gli altri, a causa di un utilizzo scorretto.
- Si raccomanda di prestare il soffiatore soltanto a persone di provata esperienza con l'uso dei soffiatori.
- Insieme al soffiatore consegnare anche il manuale di istruzioni.
- Gli utilizzatori inesperti devono informarsi presso il rivenditore circa le nozioni basilari riguardanti l'impiego di un soffiatore.
- È vietato l'uso dell'apparecchio ai bambini e ai minori di anni 18. Tuttavia i giovani di età superiore ai 16 anni possono utilizzare l'apparecchio a scopo di addestramento, sotto la supervisione di persone qualificate.
- Utilizzare il soffiatore prestando la massima attenzione.
- Utilizzare il soffiatore solo in condizioni fisiche perfette.
- Eseguire il lavoro con calma e attenzione. L'utilizzatore deve accettare responsabilità verso terzi.
- Non utilizzare il soffiatore sotto l'effetto di alcool o droghe (2).
- Non utilizzare l'apparecchio in condizioni di stanchezza.
- Conservare il manuale delle istruzioni per riferimento futuro.

Equipaggiamento protettivo

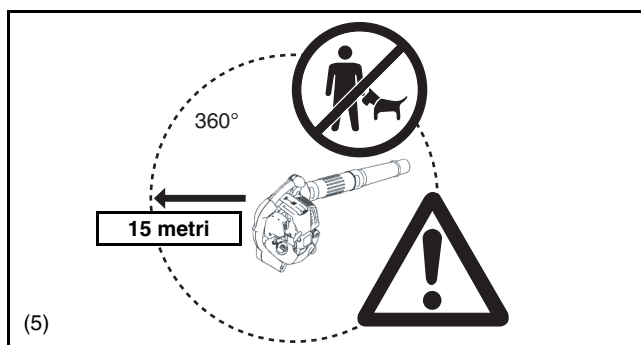
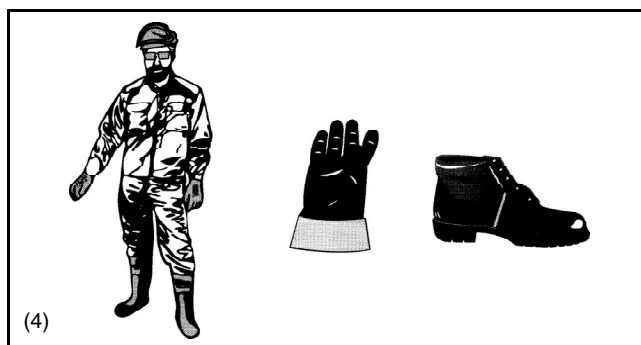
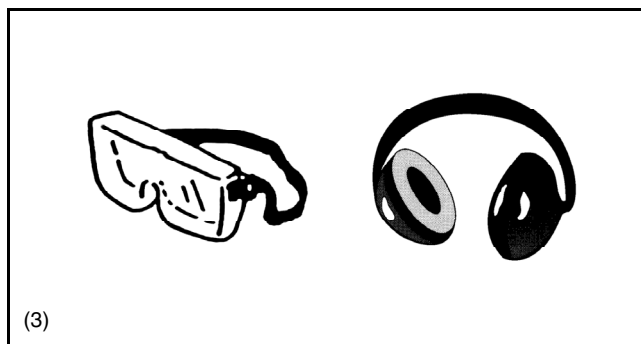
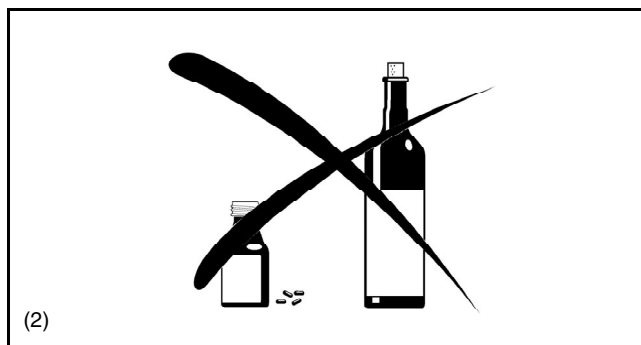
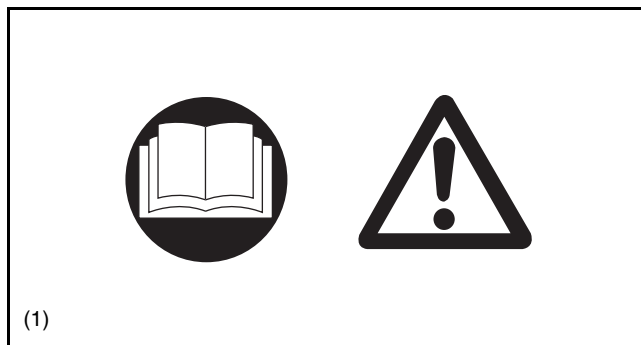
- L'operatore deve indossare indumenti funzionali e adeguati; questi devono essere aderenti senza tuttavia impedire i movimenti. Non indossare gioielli o capi di abbigliamento che potrebbero venir aspirati dall'ingresso dell'aria.
- Onde evitare ferite o danni a testa, occhi, mani o piedi e per proteggere l'udito, durante il funzionamento del soffiatore è necessario indossare l'equipaggiamento protettivo di seguito descritto.

Rispettare con particolare attenzione le seguenti norme

- Gli abiti devono essere resistenti e aderenti, pur consentendo la massima libertà di movimento. Non indossare giacche ampie, pantaloni scampanati o con risvolti, e sciarpe, non lasciare i capelli lunghi sciolti ed evitare tutto ciò che potrebbe essere attirato nell'ingresso dell'aria. Indossare apposite tute o pantaloni lunghi per proteggere le gambe. Non indossare pantaloncini corti. (4)
- Il soffiatore potrebbe danneggiare l'udito. Indossare le apposite protezioni (auricolari o cuffie) per proteggere l'udito. Chi fa uso frequente dell'apparecchio deve sottoporsi a regolari controlli dell'udito (3).
- Lavorando con il soffiatore è consigliato l'uso dei guanti. È molto importante l'appoggio saldo dei piedi. Calzare scarpe robuste con soles che non scivolano. (4)
- È obbligatoria l'appropriata protezione degli occhi. Anche se lo scarico è diretto discosto dall'operatore, durante il funzionamento del soffiatore può accadere che qualche residuo rimbalzi in direzione dell'operatore. (3)
- Non utilizzare il soffiatore senza aver prima indossato gli occhiali protettivi oppure occhiali di sicurezza con protezione superiore e laterale, come previsto dalla norma ANSI Z 87.1 (o norma locale in vigore).

Avviamento del soffiatore

- Accertarsi che non ci siano bambini o altre persone entro un raggio di 15 metri dal posto di lavoro (5), e fare anche attenzione agli animali nelle vicinanze. Non utilizzare il soffiatore all'interno di aree urbane.
- Prima di azionarlo, controllare che il soffiatore sia pronto per operare in sicurezza:
Controllare che la leva della valvola a farfalla funzioni perfettamente. Controllare che la leva diffusore funzioni normalmente e senza difficoltà. Controllare anche il relativo dispositivo di blocco. Assicurarsi che le impugnature siano asciutte e pulite e che l'interruttore principale funzioni. Controllare che le impugnature non siano sporche di olio o carburante.



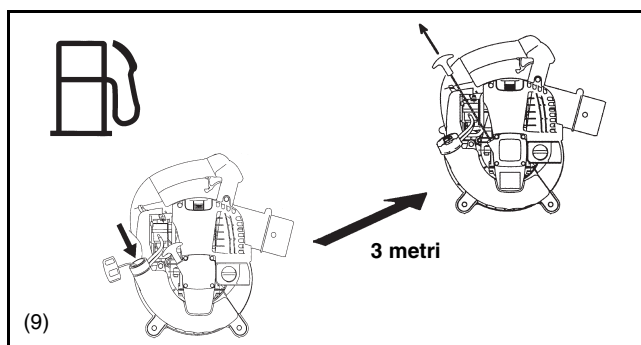
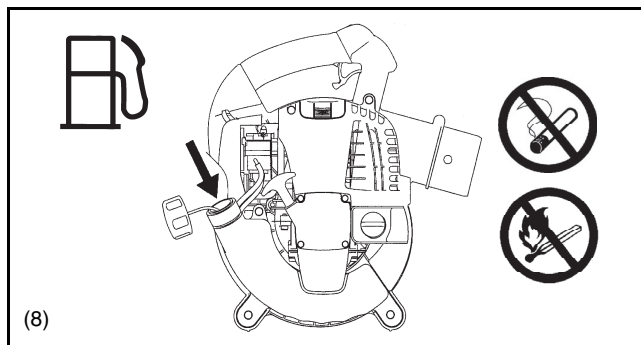
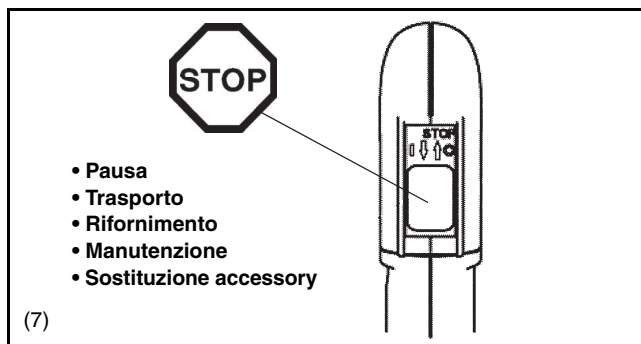
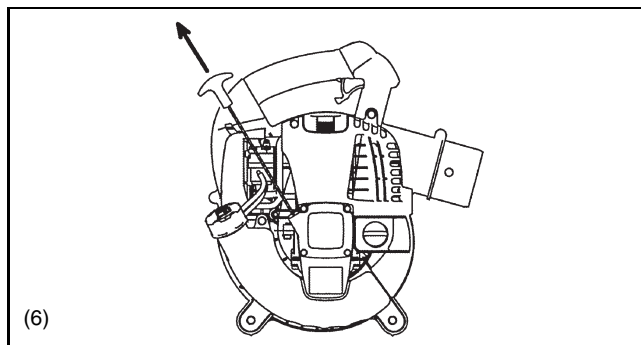
Il soffiatore va messo in funzione seguendo solamente le apposite istruzioni.

Non utilizzare altri metodi per avviare il motore (6) !

- Il soffiatore e i relativi accessori vanno utilizzati esclusivamente per le applicazioni specificate.
- Avviare il motore del soffiatore soltanto dopo aver montato l'intero utensile. Il funzionamento dell'utensile è consentito soltanto dopo che sono stati montati tutti gli accessori appropriati.
- In presenza di problemi al motore, spegnere immediatamente il soffiatore.
- Durante il lavoro afferrare saldamente il soffiatore per l'impugnatura (tenendo l'impugnatura di controllo tra pollice e indice). In questo modo è possibile mantenere l'apparecchio sempre sotto controllo. Assicurarsi che l'impugnatura (e il gancio per l'aspiratore) siano in buone condizioni e non siano umidi, né sporchi di resina, olio o grasso. Assicurarsi di essere sempre in perfetto equilibrio mantenendo una posizione di lavoro sicura.
- Evitare di inalare i gas di scarico del soffiatore. Non utilizzare l'apparecchio al chiuso (rischio di soffocamento e intossicazione). Il monossido di carbonio è un gas inodore. Controllare sempre che la ventilazione sia adeguata.
- Spegnere il motore quando si fa una sosta durante il lavoro, e quando si lascia il soffiatore incustodito. Mettendolo in un posto sicuro si evitano pericoli alle persone, l'incendio di materiali combustibili o i danni alla macchina.
- Non appoggiare il soffiatore caldo su erba secca o su materiali combustibili.
- Prima di utilizzare il soffiatore, installare tutte le protezioni fornite in dotazione.
- Non avviare il motore se la marmitta di scarico è guasta.
- Arrestare il motore durante il trasporto (7).
- In caso di trasporto in macchina o in furgoncino, caricare con cura il soffiatore onde evitare perdite di carburante.
- In caso di spedizione, controllare che il serbatoio del carburante sia vuoto.

Rifornimento

- Durante il rifornimento (7), spegnere il motore, non avvicinarsi a fiamme libere (8) e non fumare.
- Evitare che il carburante entri in contatto con la pelle. Non inalare i vapori. Durante il rifornimento indossare sempre i guanti protettivi. Cambiare e lavare l'abbigliamento protettivo a intervalli regolari.
- Non versare carburante, né olio onde evitare di inquinare il terreno (protezione ambientale). Pulire immediatamente il soffiatore in caso di fuoriuscita di carburante. Far asciugare gli stracci bagnati prima di smaltirli in appositi contenitori coperti per evitare fenomeni di combustione spontanea.
- Evitare che la benzina venga a contatto con gli abiti. Cambiare immediatamente abito se si è spantata della benzina su di esso (pericolo di incendio).
- Controllare il tappo del serbatoio a intervalli regolari e assicurarsi che rimanga perfettamente chiuso.
- Serrare con cura la vite di bloccaggio del serbatoio. Prima di avviare il motore, allontanarsi di almeno 3 metri dal luogo in cui è avvenuto il rifornimento (9).
- Non eseguire il rifornimento al chiuso. I vapori si accumulano a livello del terreno (rischio di esplosione).
- Il carburante va trasportato e conservato solo in appositi contenitori omologati. Conservare fuori dalla portata dei bambini.
- Non eseguire il rifornimento quando il motore è caldo o in funzione.



Metodo di lavoro

- Il soffiatore va utilizzato solo in condizioni di buona visibilità e di buona illuminazione. Durante la stagione invernale, fare attenzione alle superfici scivolose, bagnate o ghiacciate (rischio di scivolare). Assicurarsi di essere sempre in perfetto equilibrio.
- Evitare sempre di lavorare su superfici instabili o terreni ripidi.
- Per evitare il rischio di ferite, non dirigere il getto d'aria verso persone l'alta pressione dell'aria potrebbe procurare danni agli occhi o far rimbalzare piccoli oggetti a grande velocità.
- Non si devono mai inserire oggetti estranei nell'ingresso dell'aria della macchina o nella bocchetta del soffiatore. Ciò danneggia la ventola e potrebbe causare un serio incidente all'operatore o agli astanti, in quanto tali oggetti o parti rotte potrebbero essere scagliati fuori dalla macchina ad alta velocità.
- Controllare la direzione del vento, non lavorare mai controvento.
- Mentre si utilizza l'apparecchio non camminare all'indietro per non inciampare o perdere il controllo.
- Spegnerlo prima di eseguire operazioni di pulizia o manutenzione dell'unità o procedere alla sostituzione delle parti.

Manutenzione

- Rispettare l'ambiente. Mantenere al minimo i livelli di rumore e inquinamento. Controllare in particolare la regolazione corretta del carburatore.
- Pulire il soffiatore a intervalli regolari e verificare che tutte le viti e i dadi siano ben serrati.
- Non eseguire operazioni di manutenzione, né custodire il soffiatore nelle vicinanze di fiamme libere, faville, ecc. (11).
- Custodire sempre il soffiatore in un locale chiuso e ben aereato e con il serbatoio completamente vuoto.

Osservare e rispettare tutte le norme di prevenzione degli infortuni previste dalle associazioni di categoria e dalle compagnie di assicurazione. Per motivi di sicurezza personale, non apportare alcuna modifica al soffiatore.

L'utilizzatore si deve limitare ad eseguire le operazioni di manutenzione e riparazione descritte nel manuale. Tutti gli altri lavori devono essere eseguiti da personale autorizzato del Servizio Assistenza.

Utilizzare solo ricambi e accessori originali Makita.

L'impiego di accessori e utensili non omologati aumenta il rischio di incidenti e lesioni. La Makita declina ogni responsabilità in caso di incidenti o danni provocati dall'uso di attrezzi o accessori non autorizzati.

Misure di pronto soccorso

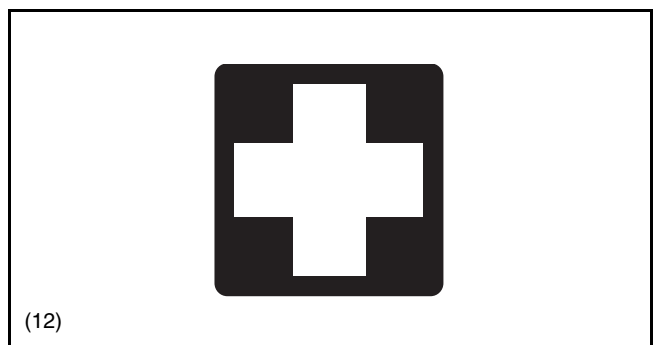
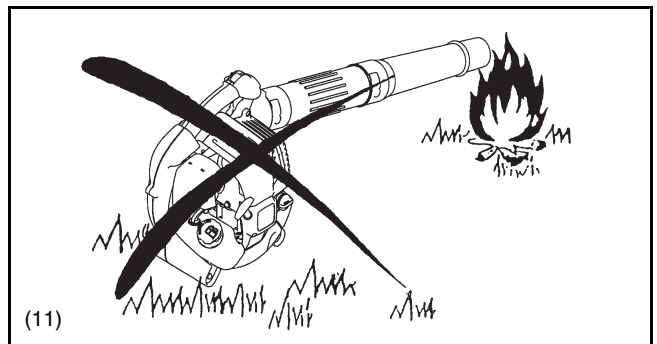
In caso di incidente assicurarsi che nelle immediate vicinanze sia disponibile una cassetta del pronto soccorso. Sostituire subito i prodotti medicinali utilizzati.

In caso di richiesta di aiuto, fornire le seguenti informazioni:

- luogo dell'incidente
- descrizione dell'accaduto
- numero di feriti
- tipo di ferite
- Propri nomi

Imballo

Il soffiatore Makita è imballato in una scatola di cartone protettiva per evitare danni dovuti al trasporto. Il cartone è una materia prima fondamentale e può essere riutilizzato o riciclato (riciclaggio della carta).



DICHIARAZIONE DI CONFORMITÀ CE

Solo per i paesi europei

La dichiarazione di conformità CE è inclusa come Allegato A al presente manuale di istruzioni.

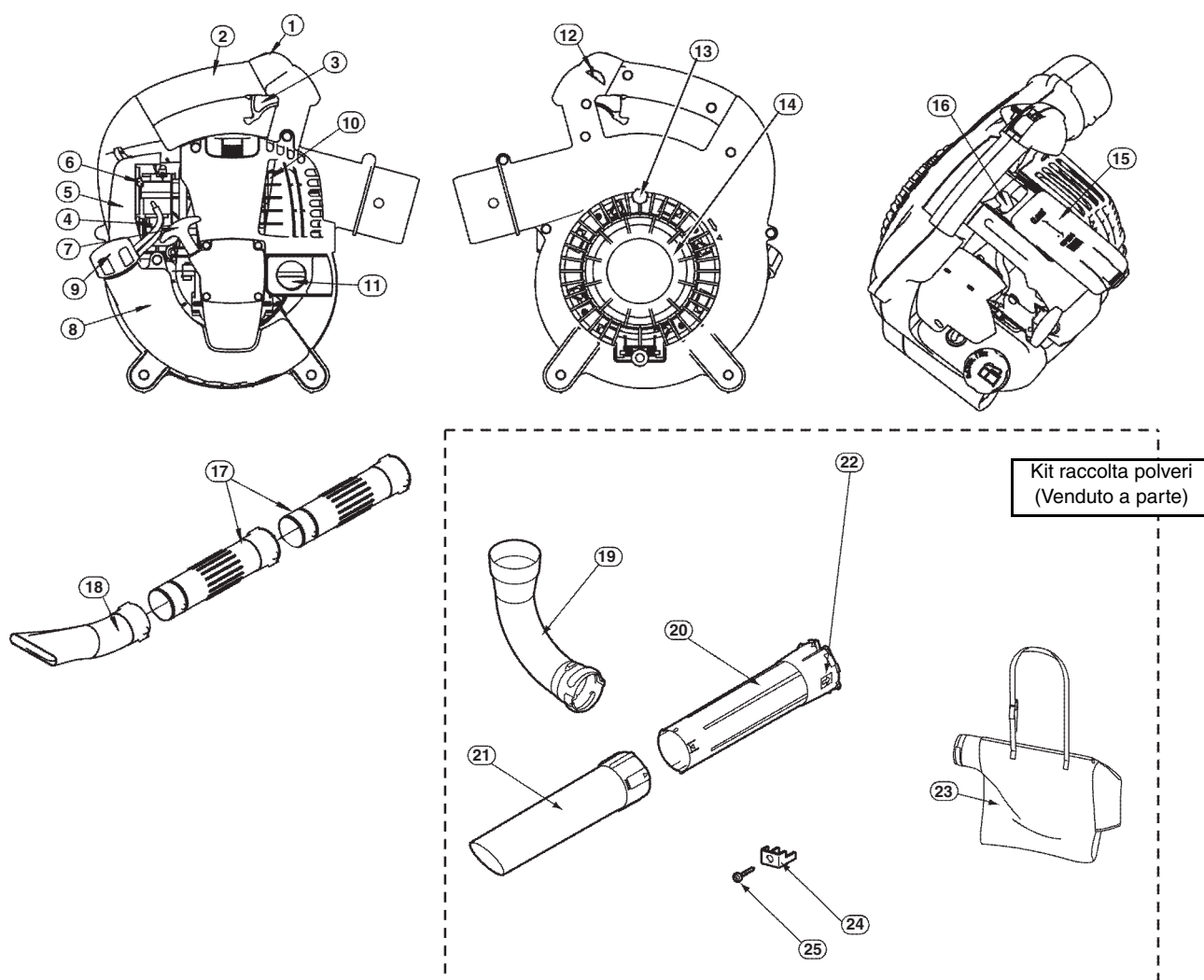
CARATTERISTICHE TECNICHE

Modello		BHX2501	BHX2501 con kit di raccolta polveri
Peso (senza tubi) (kg)		4,5	
Dimensioni (senza tubi) (Lunghezza×Larghezza×Altezza) (mm)		350 × 231 × 368	
Velocità max. del motore (min ⁻¹)		7.800	
Velocità del minimo (min ⁻¹)		3.500	
Cilindrata motore (mL)		24,5	
Carburante		Carburante Benzina per auto	
Volume serbatoio (L)		0,52	
Olio motore		SAE 10W- 30 olio della classificazione API, classe SF o superiore (motore a quattro tempi per automobile)	
Volume dell'olio per motore (L)		0,08	
Carburatore (a membrana)		WALBRO WYL	
Sistema di iniezione		A stato solido	
Candela accensione		NGK CMR6A	
Distanza tra gli elettrodi (mm)		0,7 – 0,8	
Vibrazioni conf. a ISO22867 (*Lato sinistro/lato destro)	a _{hv eq} (m/s ²)	9,3	8,1/11,1*
	Variazione K (m/s ²)	0,5	0,5/1,3*
Livello medio di pressione acustica conf. a ISO22868	L _{PA eq} dB(A)	90,8	92,8
	Variazione K dB(A)	1,4	3,8
Livello medio pressione acustica conf. a ISO22868	L _{WA eq} dB(A)	104,4	104,3
	Variazione K dB(A)	1,6	1,5

Nota:

1. Usare l'olio e la candela di accensione indicati da MAKITA.
2. Dati tecnici possono modificarsi senza preavviso.

NOME DEI COMPONENTI



NOME DEI COMPONENTI	NOME DEI COMPONENTI	NOME DEI COMPONENTI	NOME DEI COMPONENTI
1. Interruttore d'arresto	8. Serbatoio carburante / Impugnatura ausiliare	15. Coperchio della candela	22. Freccia
2. Impugnatura principale	9. Coperchio del serbatoio	16. Candela di accensione	23. Sacco polveri
3. Leva del grilletto	10. Marmitta	17. Tubo soffiante	24. Staffa
4. Pompa avviamento	11. Coperchio olio	18. Ugello soffiante	25. Vite
5. Coperchio del filtro aria	12. Tasto blocco valvola	19. Tubo curva	
6. Leva diffusore	13. Vite	20. Tubo aspirazione A	
7. Impugnatura starter	14. Protezione	21. Tubo aspirazione B	

MONTAGGIO



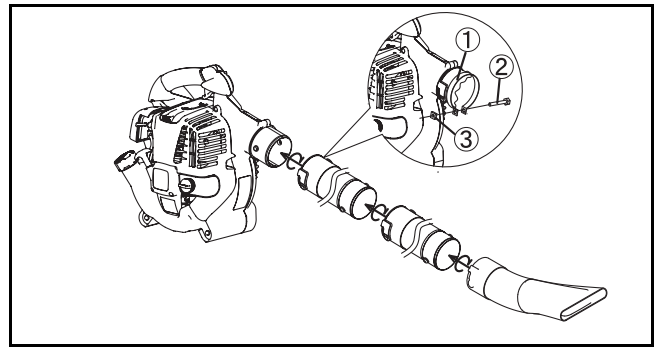
ATTENZIONE: Prima di eseguire qualsiasi operazione sul soffiatore, spegnere il motore e rimuovere il connettore della candela d'accensione.

Indossare sempre i guanti protettivi!

ATTENZIONE: Avviare il soffiatore solo dopo averne completato il montaggio.

1. MONTAGGIO DEI TUBI DEL SOFFIATORE

- 1) Allineare le scanalature del tubo soffiante con i tasselli del corpo dell'apparecchio, quindi applicare il tubo.
- 2) Ruotare il tubo soffiante in senso orario in modo da bloccarlo.
- 3) Mettere la fascetta ① attorno all'apertura del tubo soffiante. Fissare quindi bene con il bullone ② ed il dado ③.



2. MONTAGGIO DELL'ACCESSORIO PER L'ASPIRAZIONE

1) Montaggio del tubo di aspirazione (bocchetta)



- (1) Allentare la vite ④ e aprire la protezione ⑤.

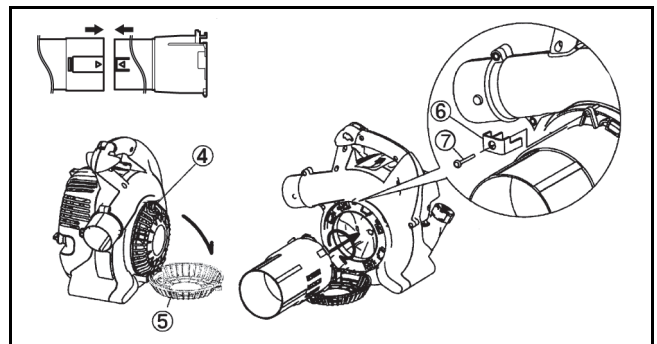


AVVERTIMENTO!

Quando si usa il soffiatore per l'operazione di soffiatura, chiudere sempre la protezione ⑤ e stringere la vite ④ prima dell'operazione. In caso contrario, il corpo o gli abiti dell'operatore potrebbero impigliarsi nella girante nuda causando un grave incidente.

Usare sempre insieme il tubo di aspirazione A e B. Altrimenti, il contatto con la girante potrebbe causare un grave incidente quando l'operatore cerca di rimuovere i frammenti bloccati nel tubo.

- (2) Allineare il segno "▲" sul tubo di aspirazione A e B. Inserire il tubo di aspirazione A nel tubo di aspirazione B finché i tre granchi scattano dentro.
- (3) Allineare la freccia  indicata sul tubo di aspirazione A con il disegno "●" indicato sul soffiatore. Quindi inserire il tubo di aspirazione nel soffiatore.
- (4) Per bloccare il tubo di aspirazione, ruotarlo finché la freccia  non è allineata con "▼" indicato sul soffiatore.
- (5) Fissare saldamente il tubo di aspirazione al soffiatore con la vite ⑦ e la staffa ⑥. Non stringere eccessivamente la vite, per evitare la rottura delle parti.



Attenzione: Non eseguire l'operazione di serraggio al punto (5) sopra se si usa il soffiatore in un paese o regione dove il marchio CE non è valido.

Nota: Il motore non si avvia se il tubo aspiratore non è completamente montato.

2) Montaggio del tubo curva e del sacco polveri

- (1) Aprire il fermaglio del sacco polveri.
- (2) Inserire il lato con il binario del tubo curva nel sacco polveri, e farlo uscire attraverso l'entrata nel sacco.
- (3) Fissare il tubo curva con la fascetta in velcro intorno alla sede indicata nella figura.

ATTENZIONE

Installare il sacco polveri lontano dal lato con il binario del tubo curva. Qualora il sacco polveri venga posizionato in prossimità del motore, il gas di scarico potrebbe causare la bruciatura superficiale del sacco polveri.

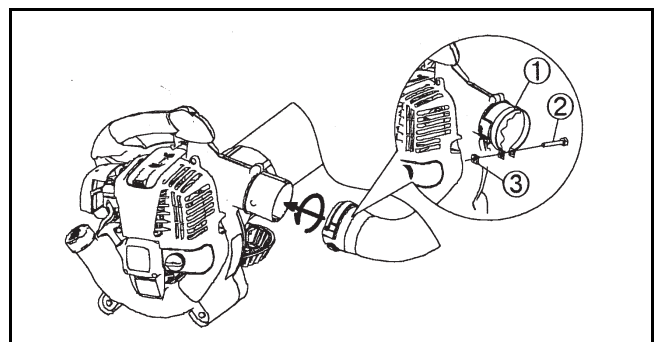
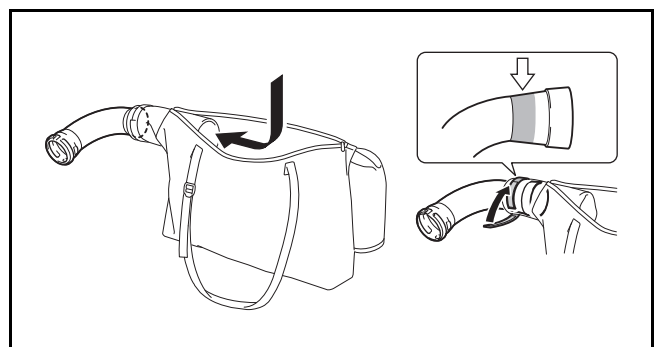
- (4) Installare il tubo curva sul soffiatore.
- (5) Mettere la fascetta ① attorno all'apertura del tubo curva. Fissare bene con il bullone ② ed il dado ③.

Attenzione: Non eseguire l'operazione di serraggio al punto (5) sopra se si usa il soffiatore in un paese o regione dove il marchio CE non è valido.



AVVERTIMENTO!

Non raccogliere grossi pezzi di legno, metalli, vetro, pietre, liquidi, sigarette accese, fuochi d'artificio, ecc.



PRIMA DELLA MESSA IN MOTO

1. Ispezione e rabbocco dell'olio motore

(1) Procedere nel modo seguente quando il motore è freddo.

Accertarsi che il motore si trovi su una superficie piana orizzontale, come mostrato nella Figura 1.

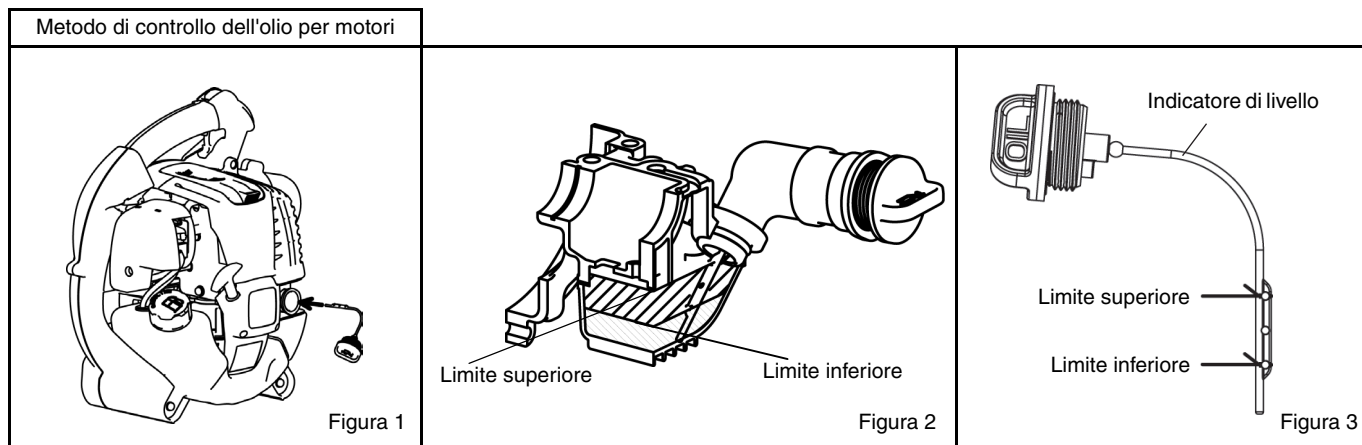
- **Ispezione:** Togliere il coperchio dell'olio. Pulire l'indicatore di livello olio. Reinstallare il coperchio dell'olio (Figura 2) e rimuoverlo. Accertarsi che l'olio sia tra i segni del limite superiore e inferiore dell'indicatore dell'olio.
- **Rabboccare:** Se dopo l'ispezione l'olio è sotto il limite inferiore, aggiungere olio attraverso la stessa apertura da cui è stato tolto il coperchio dell'olio. Vedere la Figura 4 sul modo di orientare il motore per il rabbocco dell'olio.

(2) Potrebbe essere necessario rabboccare l'olio ogni circa 10 ore di utilizzo (ogni 10 rifornimenti).

(3) Sostituire l'olio se cambia colore o è misto a sporco. (Per l'intervallo e il metodo di sostituzione vedere a pagina 69.)

Olio raccomandato: SAE 10W- 30 olio della classificazione API, classe SF o superiore (motore a quattro tempi per automobile)

Capacità del serbatoio: Circa 0,08 L

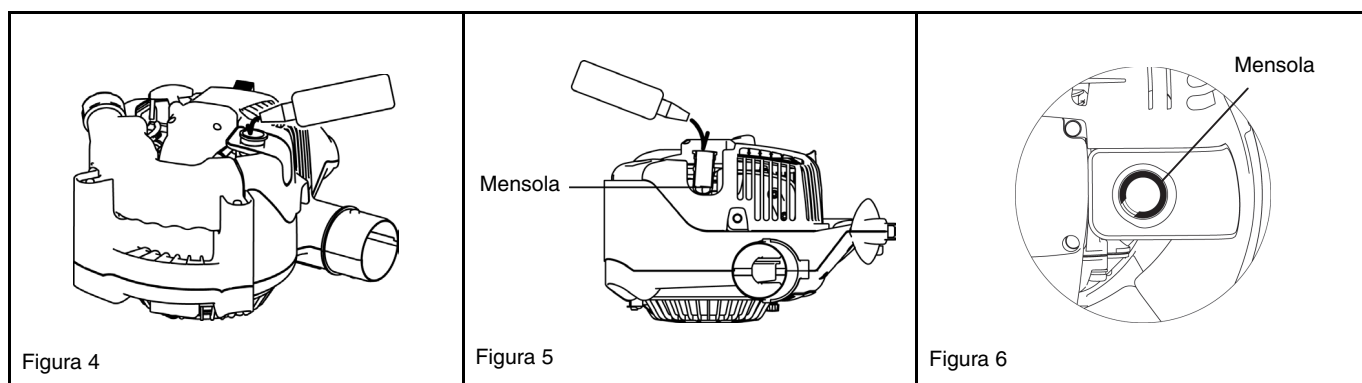


NOTA

- Se il motore non è posizionato su una superficie orizzontale come nella Figura 1, si potrebbe ottenere una indicazione scorretta del livello dell'olio.
- Se il serbatoio dell'olio è riempito oltre il limite, l'olio può inquinarsi o bruciare producendo fumo bianco.

Sostituzione dell'olio "Indicatore di livello olio"

- Togliere le polveri e la sporcizia vicino al foro di rifornimento dell'olio, e togliere l'indicatore di livello dell'olio.
- Mantenere pulito dalla sabbia o della polvere l'indicatore del livello dell'olio. La sabbia o la polvere aderenti all'indicatore di livello olio potrebbero altrimenti causare la circolazione irregolare dell'olio o l'usura delle parti del motore con conseguenti problemi.
- Per mantenere pulito l'indicatore di livello olio si consiglia di inserirlo dal lato della manopola nel coperchio del motore.



Dopo il rabbocco dell'olio

- Pulire con uno straccio tutto l'olio spanto.

2. Alimentazione carburante

AVVERTENZE

- Durante il rifornimento, osservare le istruzioni seguenti per evitare una combustione o un incendio.
 - Il rifornimento del carburante deve essere fatto in un luogo dove non ci siano fiamme. Mai avvicinare una fiamma (fumare, ecc.) vicino al posto di rifornimento.
 - Spegner il motore e lasciarlo raffreddare prima di procedere con il rifornimento.
 - Aprire lentamente il coperchio del serbatoio. Il carburante potrebbe fuoriuscire per la pressione interna.
 - Far attenzione a non far fuoriuscire il carburante. Asciugare completamente il carburante eventualmente fuoriuscito.
 - Eseguire il rifornimento in un luogo ben aereato.
- Far attenzione nel maneggiare il carburante.
 - Se il carburante entra in contatto con la pelle o gli occhi, è possibile che provochi infiammazione o allergia. Consultare immediatamente un medico specialista se si dovessero riscontrare anomalie nelle condizioni fisiche.
- NON versare olio nel serbatoio del carburante.

PERIODO DI CONSERVAZIONE DEL CARBURANTE

Il carburante deve essere utilizzato totalmente entro quattro settimane, anche se è conservato in un recipiente apposito all'ombra e in un luogo ben ventilato.

Se il carburante non è conservato in un recipiente apposito o se il recipiente non è coperto, si deteriora in un giorno.

Immagazzinaggio della macchina e del serbatoio di rifornimento

- Conservare la macchina e il serbatoio in un luogo fresco al riparo dalla luce diretta del sole.
- Non tenere mai il carburante dentro una automobile.

CARBURANTE

Il motore è a quattro tempi. Utilizzare sempre la benzina per automobile (benzina senza piombo o benzina super).

Note per carburante

- Non utilizzare nessuna miscela di benzina fatta con olio motore. Questo provocherebbe un accumulo eccessivo di residui carboniosi e/o disturbi meccanici.
- Un olio deteriorato provocherà un avviamento irregolare.

Prima del rifornimento, spegnere il motore e accertarsi che si sia raffreddato.

METODO DI RIFORNIMENTO

- Allentare leggermente il coperchio del serbatoio per rilasciare la pressione interna.
- Togliere il coperchio del serbatoio e fare rifornimento scaricando l'aria inclinando il serbatoio in modo che l'apertura di rifornimento sia rivolta in alto.
(NON aggiungere carburante fino a riempire completamente il serbatoio.)
- Dopo il rifornimento, stringere saldamente il coperchio del serbatoio.
- Sostituire il coperchio del serbatoio se ha un qualsiasi difetto o danno.
- Il coperchio del serbatoio si usura con il tempo. Sostituirlo ogni due o tre anni.
- NON versare il carburante nell'apertura di rabbocco dell'olio.

UTILIZZO



1. Avviamento

⚠ AVVERTENZE

- Non avviare il motore nel luogo stesso del rifornimento.
 - Ciò potrebbe causare combustione o incendio. Quando si avvia il motore, mantenere una distanza di almeno 3 metri.
- Il gas di scarico del motore è tossico. Non usare l'apparecchio in luoghi mal aereati (ad esempio gallerie, edifici etc...)
 - Il funzionamento del motore nei luoghi mal aereati potrebbe causare intossicazione da gas di scarico.
- Se dopo l'avviamento si sentono rumori, odori particolari o vibrazioni anomale, spegnere subito il motore per un'ispezione.
 - Se il motore funziona senza accorgersi di tale anomalia, potrebbe causare un incidente.
- Accertarsi che il motore si spenga quando si porta l'interruttore d'arresto sulla posizione "O".

1) Quando il motore è freddo o dopo il rifornimento del carburante

- (1) Mettere la macchina in piano.
- (2) Posizionare l'interruttore arresto sulla posizione "I" (Figura 1).
- (3) Continuare a premere la pompa di avviamento finché il carburante entra nella stessa (Figura 2).
 - In generale, il carburante entra nel carburatore dopo 7/10 spinte.
 - Premendo troppe volte la pompa di avviamento si potrebbe causare un ritorno dell'eccesso di benzina nel serbatoio.
- (4) Alzare la leva diffusore sulla posizione di chiusura (Figura 3).
- (5) Tenere l'impugnatura principale con la mano sinistra per evitare che il motore si muova.
- (6) Tirare la manopola di avviamento finché non si sente una leggera resistenza. Poi, rilasciare la manopola e tirarla nuovamente con forza (Figura 4).
 - Non tirare il cavo fino alla sua estensione massima.
 - Una volta che la manopola è tirata, non abbandonare la presa immediatamente. Tenere la manopola finché essa non ritorna al punto di partenza.
- (7) Quando il motore si avvia, aprire la leva di diffusore (Figura 5).
 - Aprire la leva di diffusore lentamente, verificando la rotazione del motore. Assicurarsi di aprire la leva diffusore al massimo.
 - In caso di basse temperature o quando il motore si è raffreddato, non aprire la leva diffusore bruscamente, altrimenti il motore può arrestarsi.
- (8) Continuare l'operazione di riscaldamento per 2 o 3 minuti.
- (9) Il riscaldamento è completo quando c'è una veloce accelerazione dai bassi giri del motore fino a pieno acceleratore.

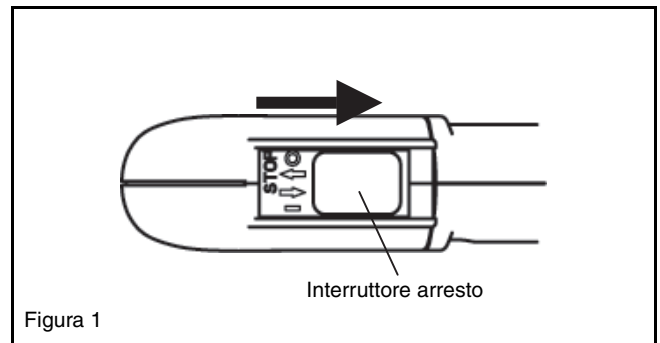


Figura 1

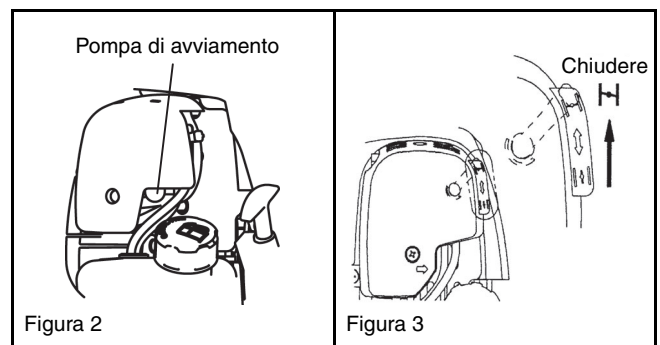


Figura 2

Figura 3

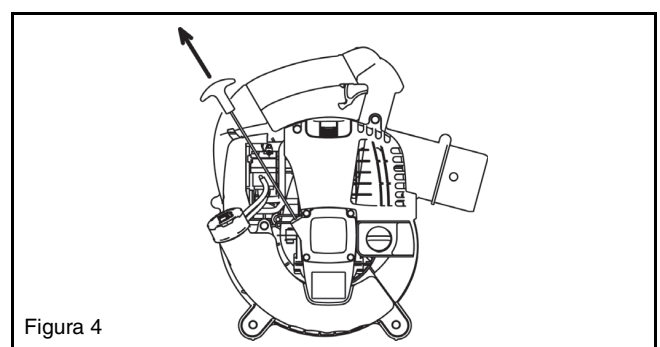


Figura 4

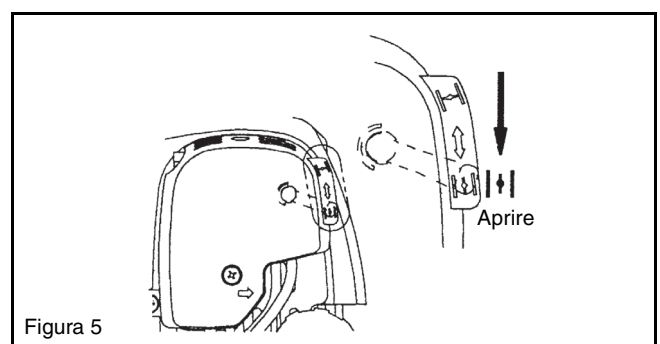


Figura 5

NOTA

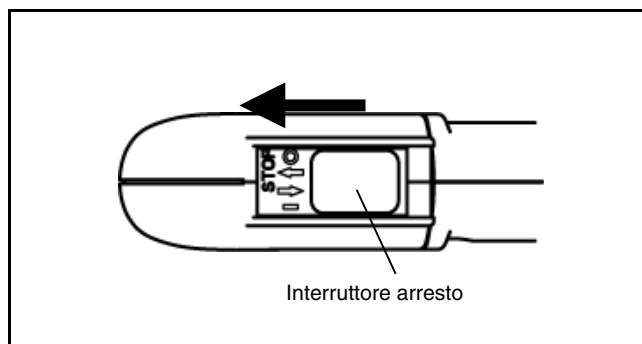
- Se la leva diffusore viene portata più in alto rispetto alla posizione "CLOSE", si potrebbe danneggiare.
- Se il motore parte e si arresta, rimettere questa leva sulla posizione "OPEN" e tirare diverse volte la leva dello starter per avviare di nuovo il motore.
- Se si continua a tirare diverse volte la leva dello starter con la leva diffusore lasciata sulla posizione "CLOSE", il motore ha difficoltà a partire a causa dell'ingolfamento del carburante.
- Nel caso di ingolfamento del carburante, rimuovere la candela e tirare rapidamente diverse volte la leva per scaricare ogni eccesso di carburante. Asciugare l'elettrodo della candela.
- Se alla velocità più bassa la valvola a farfalla non arriva a toccare la vite di regolazione del minimo, agire sul blocco del cavo di controllo in modo da riportarla a toccare la vite di regolazione.

2) Quando il motore è caldo

- (1) Mettere il motore in piano.
- (2) Premere la pompa di avviamento qualche volta.
- (3) Controllare che la leva diffusore sia aperta.
- (4) Tenere l'impugnatura principale con la mano sinistra per evitare che il motore si muova.
- (5) Tirare lentamente l'impugnatura starter fino a sentirne la resistenza e dopo averla fatta ritornare alla posizione iniziale, tirarla nuovamente con forza.
- (6) Se dovesse essere difficile avviare il motore, aprire la valvola a farfalla per circa un terzo.

2. Arresto

Rilasciare la leva del grilletto per ridurre la velocità del motore e impostare l'interruttore di arresto in posizione "O".
(Rilasciare il blocco della leva dell'acceleratore se blocca la leva del grilletto nella posizione di piena apertura.)



REGOLAZIONE DEL MINIMO



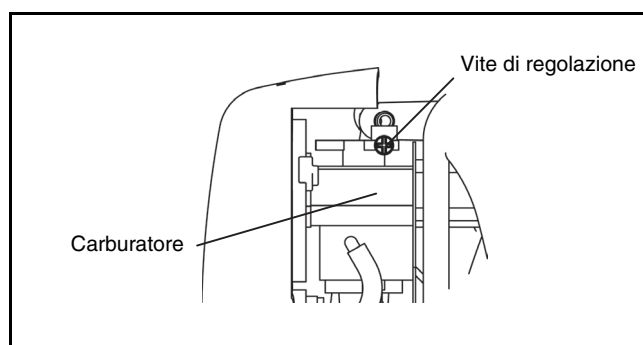
⚠ PERICOLO

Il carburatore è stato regolato in fabbrica. Non eseguire alcuna regolazione diversa da quella del minimo. Se è necessaria la regolazione, rivolgersi al rivenditore o a un Centro di Assistenza autorizzato.

Controllo della rotazione a bassa velocità

Mettere la rotazione a velocità bassa a 3500 rpm (min^{-1}).

- Se fosse necessario cambiare la velocità di rotazione, regolare la vite di regolazione con un cacciavite a croce.
- Girare a destra la vite di regolazione per aumentare la velocità del motore. Girare a sinistra la vite di regolazione per ridurre la velocità del motore.



Prevenzione del congelamento del carburatore

AVVISO

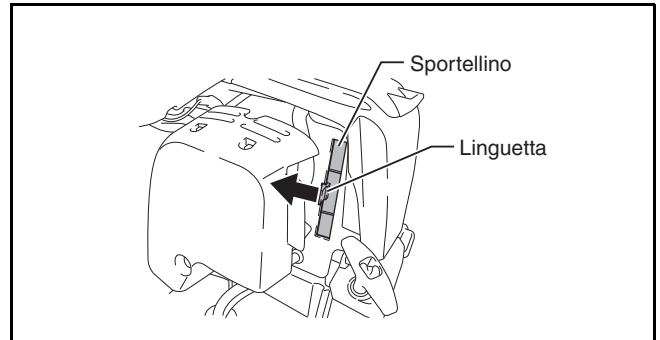
Quando la temperatura ambiente è superiore a 10°C, chiudere sempre lo sportellino (impostazione normale).
In caso contrario, il motore potrebbe venire danneggiato dal surriscaldamento.

Quando la temperatura ambiente è bassa e l'umidità è elevata, il vapore acqueo potrebbe congelare all'interno del carburatore, e il motore girerebbe in modo incostante (congelamento del carburatore).

Modificare l'impostazione dello sportellino nel modo seguente, se necessario.

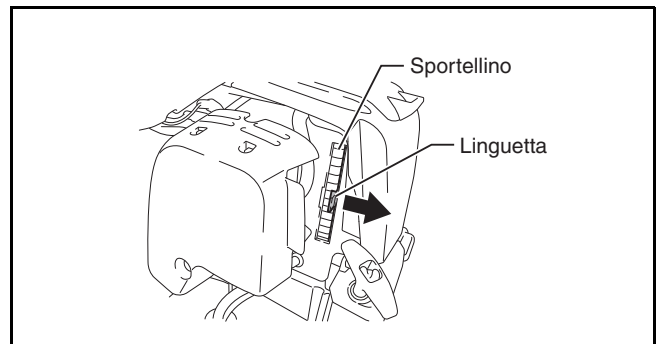
• Temperatura ambiente superiore a 10°C

Afferrare la linguetta sullo sportellino e far scorrere quest'ultimo verso sinistra (posizione chiusa).



• Temperatura ambiente pari o inferiore a 10°C

Afferrare la linguetta sullo sportellino e far scorrere quest'ultimo verso destra (posizione aperta).

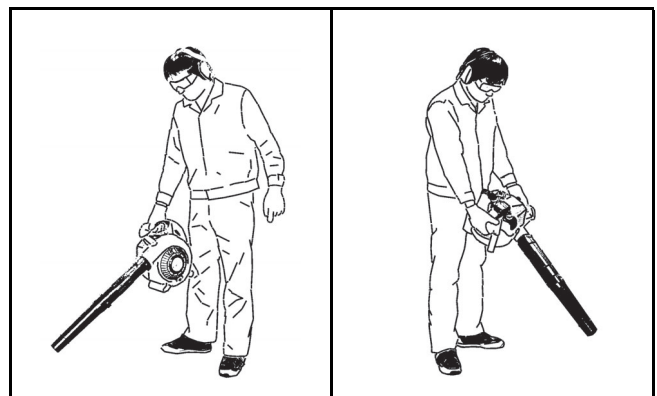


METODO DI LAVORO



1. Uso del soffiatore

- Eseguire i lavori reggendo bene il soffiatore.
- Tirare la leva del grilletto dirigendo l'estremità dell'ugello verso l'oggetto da soffiare.
- Tirare completamente la leva del grilletto, mantenere premuto il tasto di blocco valvola e togliere il dito dalla leva del grilletto rilasciandola per bloccarla a pieno acceleratore.
- Tirare di nuovo la leva del grilletto per rilasciare il blocco dell'acceleratore.
- La parte inferiore del serbatoio del carburante funziona come impugnatura ausiliaria, permettendo di lavorare usando entrambe le mani. In questo caso mantenere l'impugnatura ausiliaria con la mano destra.



2. Raccolta delle polveri

AVVERTENZE

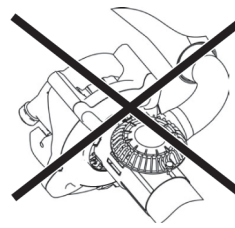
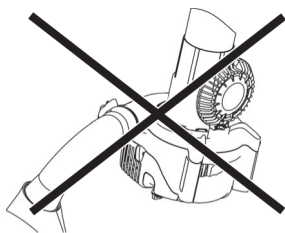
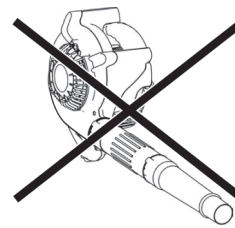
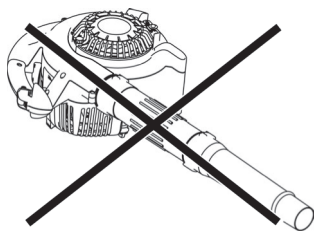
- Non aspirare kerosene, benzina, sigarette accese, ecc. onde evitare incendi.
 - Altrimenti potrebbe causare un incendio
- Aspirare corpi estranei (grandi pezzi di legno, di metallo e di vetro, piccoli sassi, ecc.) può causare un guasto alla macchina.
 - Altrimenti potrebbe causare un fallimento.
- Il riempimento eccessivo del sacco polveri potrebbe causare il traboccamento verso il lato del motore. Svuotare il sacco prima che diventi completamente pieno.
 - Altrimenti potrebbe causare un incendio

- Sistemare la cinghia del sacco della polvere sulla spalla regolandone la lunghezza in modo da facilitare il lavoro.
- Controllando la posizione del sacco, tirare la leva del grilletto per la raccolta della polvere.
- Quando il sacco polveri è pieno, rimuoverlo dalla macchina e aprire il fermaglio per svuotarlo.



NOTA

Se si fa funzionare questa macchina con la protezione rivolta in su o con il manico principale rivolto in giù, potrebbe apparire del fumo bianco e l'olio diventare contaminato, o si potrebbero verificare perdite d'olio.





PERICOLO

- Prima del controllo e della manutenzione, spegnere e raffreddare il motore. Rimuovere la candela e il coperchio della candela.
 - Se si cerca di procedere con l'ispezione o la manutenzione immediatamente dopo l'arresto del motore o con il coperchio della candela ancora attaccato, l'operatore rischia bruciature o un incidente a causa di un avviamento imprevisto del motore.
- Dopo l'ispezione e la manutenzione, procedere all'avvio, dopo aver controllato che tutte le parti siano montate correttamente.

1. Sostituzione dell'olio motore

L'olio motore deteriorato riduce notevolmente la vita delle parti mobili e rotanti. Verificare gli intervalli di sostituzione e la quantità di olio da sostituire.

PERICOLO

- In generale, il corpo del motore e l'olio motore rimangono ancora caldi subito dopo lo spegnimento del motore. Prima della sostituzione dell'olio, accertarsi che il corpo del motore e l'olio motore si siano sufficientemente raffreddati. Rimane altrimenti il rischio di ustioni. Dopo aver fermato il motore, lasciare all'olio motore un tempo sufficiente per tornare nel serbatoio dell'olio in modo da assicurare una lettura accurata dell'indicatore di livello dell'olio.
- Se l'olio è rifornito oltre il limite, esso può essere inquinato o può prendere fuoco con fumo bianco.

Intervallo di sostituzione: Dopo le prime 20 ore di utilizzo, seguite da ogni 50 ore di utilizzo

Olio raccomandato: SAE 10W-30 olio della classificazione API, classe SF o superiore (motore a quattro tempi per automobile)

Al momento della sostituzione, seguire il metodo seguente:

- (1) Verificare che il coperchio del serbatoio sia stretto perfettamente.
- (2) Togliere il coperchio dell'olio.
 - Tenere l'indicatore di livello dell'olio pulito dalla polvere o dello sporco.
- (3) Inclinare la macchina nell'ordine mostrato nella Figura 1.
 - Versare l'olio usato in un contenitore.
- (4) Orientare la macchina come mostrato nella Figura 2, e rabboccare l'olio nella mensola all'interno del tubo dell'olio.
- (5) Dopo il rifornimento, chiudere fermamente il coperchio dell'olio. Una chiusura insufficiente provocherà una perdita d'olio.

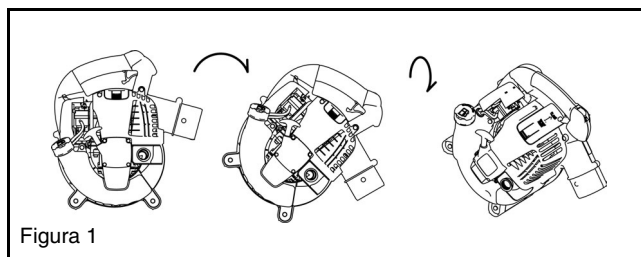


Figura 1

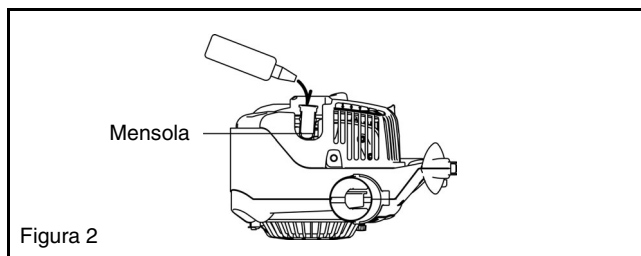


Figura 2

Note sulla sostituzione dell'olio

- Non gettare l'olio motore nei rifiuti, sul terreno o nelle fognature. La disposizione per lo smaltimento degli oli usati è soggetta a controllo legale. Nello smaltimento, rispettare le leggi e i regolamenti. In caso di dubbi, consultare il Servizio Assistenza Autorizzato.
- L'olio può deteriorarsi anche se non viene utilizzato. Fare il controllo e la sostituzione ad intervalli periodici (sostituzione con un olio nuovo ogni 6 mesi)

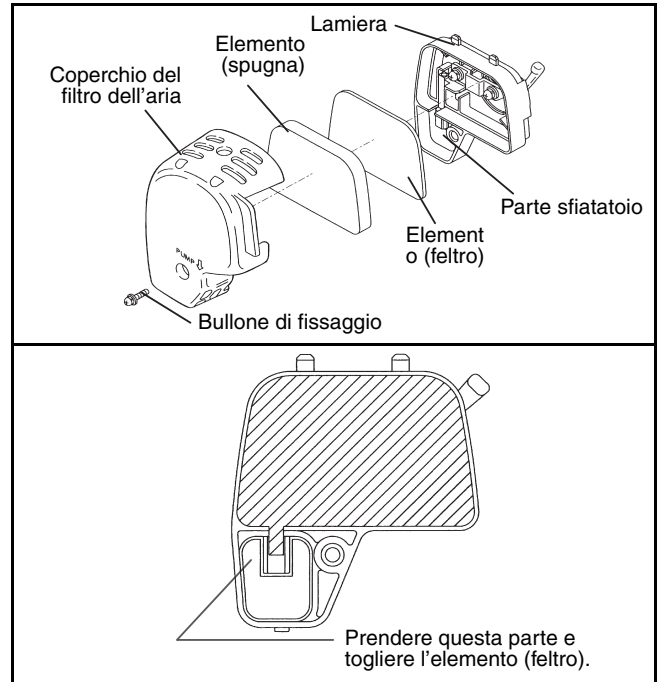
2. Pulitura del filtro dell'aria



AVVERTENZE: SEVERAMENTE VIETATO USARE SOSTANZE INFIAMMABILI

Intervallo di pulitura e di controllo : Quotidiano (ogni 10 ore di funzionamento)

- (1) Rimuovere i bulloni di fissaggio del coperchio del filtro dell'aria.
- (2) Tirare il lato inferiore del coperchio del filtro e toglierlo.
- (3) Girare la leva di diffusore a fondo verso il lato chiusura, e preservare il carburatore da polvere o sporcizia.
- (4) Se l'olio aderisce all'elemento (spugna), spremere forte.
- (5) Se è molto contaminato:
 - Rimuovere l'elemento (spugna), immergerlo in acqua calda o in un detergente debole diluito con acqua, e asciugarlo completamente.
 - Pulire l'elemento (feltro) con benzina, e farlo asciugare completamente.
- (6) Prima di rimettere l'elemento, farlo asciugare completamente. L'elemento non asciugato sufficientemente potrebbe rendere l'avviamento difficoltoso.
- (7) Asciugare con uno straccio l'olio aderente al coperchio del filtro dell'aria e allo sfiatatoio a piastra.
- (8) Immediatamente dopo la pulitura, rimontare il coperchio del filtro e serrarlo con i bulloni di fissaggio. (Nel rimontarlo, prima mettere la griffa superiore e poi la griffa inferiore.)

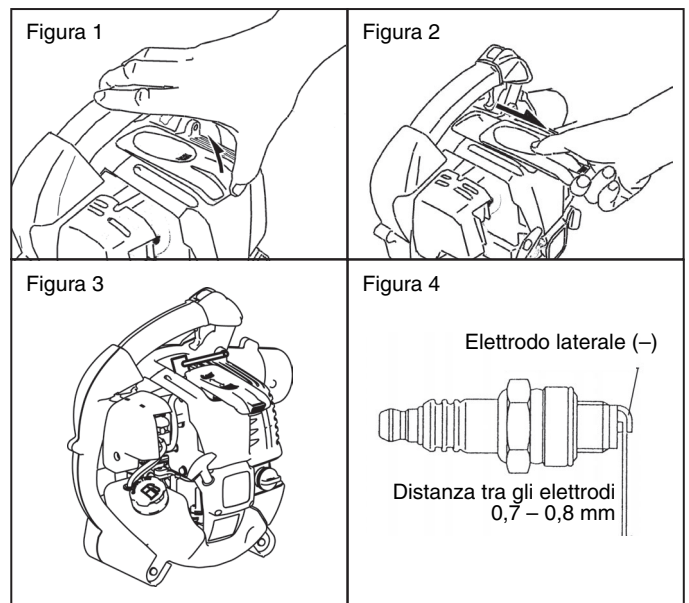


PERICOLO

- Pulire l'elemento alcune volte al giorno se c'è eccesso di polveri aderenti.
- Se si continua l'utilizzo con l'elemento sporco di olio, l'olio nel filtro dell'aria può uscire, inquinando.

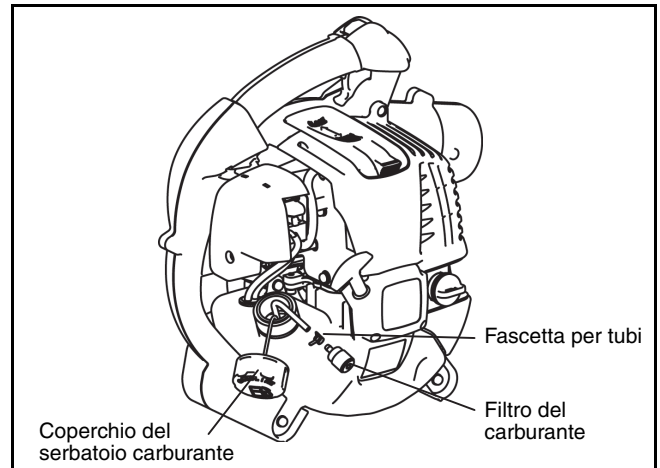
3. Ispezione della candela di accensione

- (1) **Aprire/chiedere il coperchio della candela**
Per aprire il coperchio, mettere le dita sull'impugnatura principale e sulla sporgenza del coperchio della candela (Figura 1). Far scorrere la sporgenza verso la posizione "OPEN" spingendola su (Figura 2).
Per chiudere, far scorrere la sporgenza del coperchio della candela verso la posizione "CLOSE" finché un uncino sotto la sporgenza finisce sul coperchio del motore e alla fine inserire la sporgenza.
- (2) **Staccare la candela di accensione**
Per rimuovere o installare la candela, usare la chiave a tubo in dotazione (Figura 3).
- (3) **Ispezione della candela di accensione**
La distanza tra i due elettrodi è di 0,7-0,8 mm. (Figura 4). Se questa distanza è superiore o inferiore, regolarla correttamente.
Se la candela è sporca od otturata da residui carboniosi, pulirla completamente o sostituirla.
- (4) **Sostituire la candela di accensione**
Quando si sostituisce la candela, usarne una di tipo NGK-CMR6A.



4. Pulizia del filtro carburante

- Se si ottura il filtro carburante, è possibile che l'avviamento sia difficile o che la rotazione del motore non possa aumentare.
- Controllare il filtro periodicamente secondo la procedura seguente:
 - (1) Rimuovere il coperchio del serbatoio carburante, scaricare il carburante e vuotare il serbatoio. Controllare che nessun corpo estraneo rimanga nel serbatoio ed eventualmente estrarli.
 - (2) Tirare fuori il filtro carburante con un filo di ferro attraverso il portello di rifornimento del carburante.
 - (3) Se la superficie del filtro carburante è sporca, pulirla con la benzina. Per disfarsi della benzina usata per la pulizia bisogna osservare le norme specificate dall'ente locale. Il filtro eccessivamente contaminato deve essere sostituito.
 - (4) Rimettere il filtro nel serbatoio e chiudere bene il coperchio del serbatoio. Per la sostituzione, consultare il venditore o servizio assistenza autorizzato.



5. Controllo bulloni, dadi e viti

- Serrare di nuovo i bulloni, dadi, ecc. allentati.
- Verificare eventuali perdite di carburante e d'olio.
- Sostituire i pezzi guasti con quelli nuovi per sicurezza di funzionamento.

6. Pulitura dei pezzi

- Mantenere pulito il motore pulendolo con uno straccio.
- Tenere le alette di cilindro pulite di polvere e sporco. Polveri o sporcizia aderenti alle alette provocheranno un grippaggio.

7. Sostituzione delle guarnizioni

Sostituire le guarnizioni se si smonta il motore.

Qualsiasi operazione di manutenzione o regolazione che non sia descritta nel presente manuale deve essere eseguita esclusivamente dal personale del Servizio Assistenza Autorizzato.

IMMAGAZZINAGGIO

⚠ AVVERTENZE

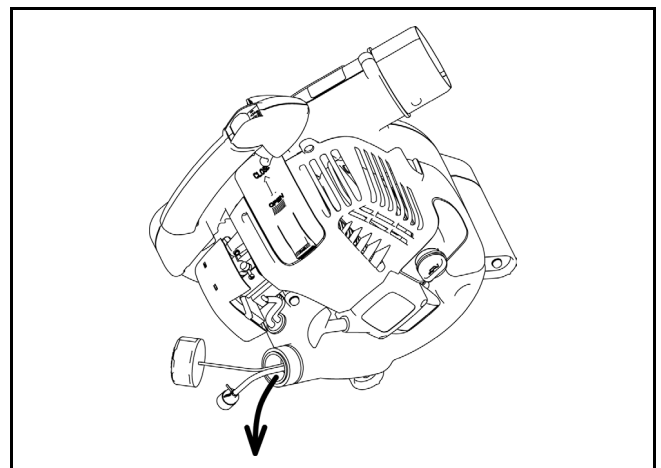
- Per scaricare il carburante, è necessario arrestare il motore e attendere che si raffreddi completamente.
 - In caso contrario, c'è pericolo di bruciature o di incendio.

⚠ PERICOLO

- Per immagazzinare la macchina per un lungo periodo di tempo, scaricare tutto il carburante dal serbatoio del carburante e dal carburatore, e conservarlo in un luogo asciutto e pulito.

Scaricare completamente il carburante dal serbatoio di carburante e del carburatore secondo la procedura seguente :

- (1) Togliere il coperchio del serbatoio del carburante, e scaricare il carburante completamente.
Se vi sono corpi estranei nel serbatoio, rimuoverli.
- (2) Tirare fuori il filtro del carburante dal portello di rifornimento, usando il filo.
- (3) Spingere la pompa di avviamento fino a vuotarla completamente del carburante.
- (4) Rimettere il filtro nel serbatoio del carburante e serrare fermamente il coperchio del serbatoio.
- (5) Poi, continuare a far funzionare il motore fino al suo arresto.
- (6) Togliere la candela, e far cadere delle gocce di olio per motore nel foro della candela.
- (7) Tirare dolcemente l'impugnatura dell'avviamento in modo che l'olio si distribuisca nel motore, e rimettere la candela.
- (8) Lasciare la macchina con l'impugnatura rivolta in alto.
- (9) Conservare il carburante scaricato in un recipiente apposito all'ombra in un locale aereato.



Localizzazione dei guasti

Guasto	Sistema	Osservazione	Causa
Il motore non parte o parte con difficoltà	Sistema di iniezione	Scintilla d'accensione presente	Guasto nell'alimentazione del carburante o nel sistema di compressione, difetto meccanico
		Assenza scintilla d'accensione	Interruttore su STOP, guasto all'impianto elettrico o corto circuito, candela o connettore difettosi, modulo d'iniezione difettoso
	Alimentazione carburante	Serbatoio pieno	Posizione leva diffusore errata, carburatore difettoso, linea di alimentazione carburante piegata o intasata, olio sporco
	Compressione	Compressione assente all'avvio	Guarnizione fondo cilindro difettosa, guarnizioni albero a gomiti danneggiate, anello cilindro o pistone difettoso oppure difetto nella tenuta della candela
Problemi con l'avviamento a caldo	Guasto meccanico	Manopola di avvio non funziona	Molla avviatore rotta, parti rotte all'interno del motore
	Alimentazione carburante	Serbatoio pieno candela presente	Il carburatore va pulito
		Serbatoio pieno	Errata regolazione del minimo, carburatore sporco
Il motore parte ma si arresta subito			Sfiatatoio del serbatoio difettoso, linea di alimentazione carburante interrotta, cavo o interruttore di arresto guasti
Rendimento insoddisfacente	Può riguardare diversi sistemi	Minimo del motore scadente	Filtro aria sporco, carburatore sporco, marmitta intasata, tubo di scarico del cilindro intasato

Intervallo di funzionamento	Articolo	Prima del funzionamento	Dopo la lubrificazione	Quotidiano (10 ore)	30 ore	50 ore	200 ore	Arresto / quiete	Pagina corrispondente
Olio motore	Controllare/pulire	○							63
	Sostituire					○*1			69
Pezzi da serrare (bulloni, dadi)	Controllare/pulire	○							71
Serbatoio di carburante	Pulire/controllare	○							–
	Scaricare il carburante							○*3	71
Leva valvola	Verificare le funzioni		○						–
Interruttore d'arresto	Verificare le funzioni		○						66
Rotazione a velocità bassa	Controllare / regolare			○					66
Filtro dell'aria	Pulire			○					70
Candela d'accensione	Controllare			○					70
Condotto dell'aria di raffreddamento	Pulire/controllare			○					71
Tubo del carburante	Controllare/pulire			○					71
	Sostituire						⊙*2		–
Filtro del carburante	Pulire/sostituire					○			71
Spazio fra valvola della presa d'aria e valvola di scarico dell'aria	Regolare						⊙*2		–
Tubo dell'olio	Controllare/pulire						⊙*2		–
Ispezione motore							⊙*2		–
Carburatore	Scaricare il carburante							○*3	71

*1 Fare la prima sostituzione dopo 20 ore di funzionamento.

*2 Per il controllo dopo 200 ore di funzionamento, rivolgersi ad un Servizio Assistenza Autorizzato o dal rivenditore.

*3 Dopo aver svuotato il serbatoio, continuare a far funzionare il motore finché il carburante non si esaurisce.

SOLUZIONE DEI PROBLEMI

Prima di fare richiesta di riparazione, verificate personalmente un guasto. Se c'è un cattivo funzionamento, controllare la vostra macchina secondo la descrizione di questo manuale. Non manomettere o smontare nessuna parte contrariamente alla descrizione. Per le riparazioni, consultare il Servizio Assistenza Autorizzato o un rivenditore locale.

Problema	Causa probabile (malfunzionamento)	Rimedio
Il motore non si avvia	La pompa d'avviamento non funziona	Spingere 7 -10 volte
	Difficoltà nel tirare la manopola di avviamento	Tirare fortemente
	Mancanza di carburante	Rifornire di carburante
	Filtro del carburante otturato	Pulire
	Tube del carburante guasto	Sostituire il tubo del carburante
	Carburante deteriorato	Un carburante deteriorato provoca un avviamento più difficile. Sostituire con quello nuovo. (Sostituzione raccomandata : 1 mese)
	Aspirazione eccessiva di carburante	Regolare la farfalla dalla velocità media alla alta, e tirare la manopola di avviamento finché il motore si avvia. Se il motore non si avvia ancora, togliere la candela di accensione, asciugare gli elettrodi, e rimontarla. Poi, avviare secondo le istruzioni.
	Coperchio di candela semiaperto	Serrare bene
	Candela di accensione sporca	Pulire
	Distanza anormale elettrodi candela di accensione	Regolare la distanza
	Altra anomalia della candela di accensione	Sostituire
	Carburatore anormale	Fare richiesta di controllo e manutenzione
	La manopola di avviamento non può essere tirata.	Fare richiesta di controllo e manutenzione
	Anomalie nei sistemi di comando	Fare richiesta di controllo e manutenzione
Il motore si arresta subito La velocità del motore non aumenta	Riscaldamento insufficiente	Fare il riscaldamento
	La leva di regolazione è messa sulla posizione "CLOSE" anche se il motore è caldo	Mettere sulla posizione "OPEN"
	Filtro del carburante otturato	Pulire
	Filtro dell'aria sporco o otturato	Pulire
	Carburatore anormale	Fare richiesta di controllo e manutenzione
	Anomalie nei sistemi di comando	Fare richiesta di controllo e manutenzione
	Cavo diffusore staccato	Serrare bene
	Anomalie nei sistemi di comando	Fare richiesta di controllo e manutenzione
Il motore non si arresta. ↓ Fare funzionare il motore al minimo, e mettere la leva diffusore sulla posizione "CLOSE"	Connettore staccato	Serrare bene
	Sistema elettrico anormale	Fare richiesta di controllo e manutenzione

Quando il motore non si avvia dopo il riscaldamento:

Se non c'è nessuna anomalia per gli articoli di controllo, aprire la valvola circa un terzo e avviare il motore.

Hartelijk dank voor uw aankoop van deze MAKITA-bladblazer. Wij zijn ervan verzekerd dat deze u zal bevallen, daar deze het resultaat is van jarenlange research en onze know-how en ervaring.
 De MAKITA BHX2501 combineert de voordelen van de huidige stand der techniek met ergonomisch design; zij zijn licht in gewicht, handig, compacte en staan voor professionele inzet van tal van verschillende gebruiksvormen.
 Lees, begrijp en volg de in deze gebruiksaanwijzing omschreven punten om zodoende volledig gebruik te maken van de mogelijkheden die deze machine u biedt. Dit biedt u de garantie zo goed en veilig mogelijk te werken met de Makita-bladblazer.



Inhoudstabel

	Pagina
SYMBOLLEN	74
VEILIGHEIDSVOORSCHRIFTEN	75
EG-VERKLARING VAN CONFORMITEIT	78
TECHNISCHE GEGEVENS	78
BENAMING VAN ONDERDELEN	79
OPBOUWINSTRUCTIES	80
VOOR GEBRUIK	81
BEDIENING	83
AFSTELLINGEN	84
BEDIENINGSMETHODE	85
INSPECTIE EN ONDERHOUD	87
MACHINE-OPSLAG	89
OPLOSSEN VAN PROBLEMEN	91

SYMBOLLEN

Het is erg belangrijk de volgende symbolen te herkennen en begrijpen wanneer u deze gebruiksaanwijzing doorleest.

	WAARSCHUWING/GEVAAR		Brandstof (Benzine)
	Lees, begrijp en volg gebruiksaanwijzing		Handstart motor
	Verboden		Noodstop
	Niet roken		Eerste Hulp
	Geen open vuur		Recycling
	Beschermende handschoenen dragen		Recycling
	Houd werkomgeving vrij van personen en dieren		AAN/START
	Draag oog- en oorprotectie		UIT/STOP
	Houd omstanders uit de buurt		Gevaar verlies vinger/hand, impeller
			CE-merk

VEILIGHEIDSVOORSCHRIFTEN

Algemene instructies

- Om verzekerd te zijn van een correcte en veilige bediening moet de gebruiker de gebruiksaanwijzing lezen, begrijpen en opvolgen om vertrouwd te raken met de blazer (1). Niet volledig geïnstrueerde gebruikers riskeren ongelukken voor zichzelf en voor anderen door niet correct gebruik.
- Het is aan te bevelen de machine enkel uit te lenen aan mensen die vertrouwd zijn met de werking hiervan.
- Reik altijd de gebruiksaanwijzing over.
- Onervaren gebruikers moeten zich door de dealer op de hoogte laten stellen van het correcte gebruik van de blazer.
- Kinderen en personen onder de 18 jaar mogen niet werken met de machine. Personen boven de 16 jaar mogen enkel onder begeleiding van deskundigen met de machine werken.
- Gebruik de blazer met de meeste zorg en waakzaamheid.
- Gebruik de blazer enkel wanneer u in een goede, lichamelijke conditie verkeerd.
- Werk met de grootste waakzaamheid. De gebruiker is verantwoordelijk voor derden.
- Gebruik de blazer nooit indien de gebruiker onder invloed van alcohol of medicijnen is (2).
- Werk niet met de machine indien u zich moe voelt.
- Bewaar deze instructies voor later naslagwerk.

Persoonlijke beschermingsmiddelen

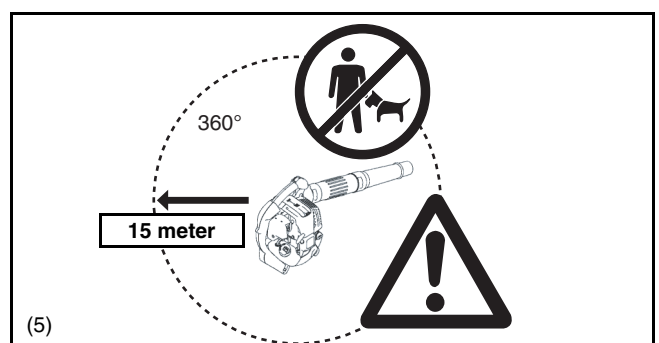
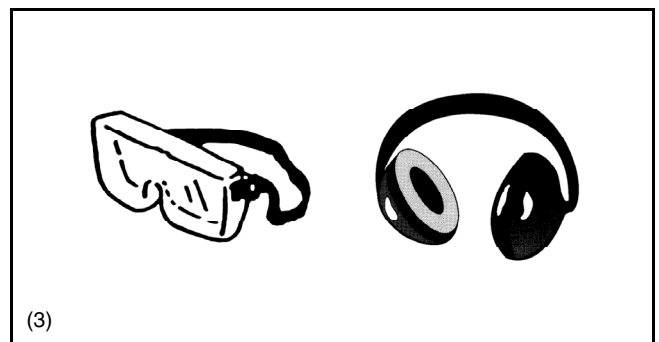
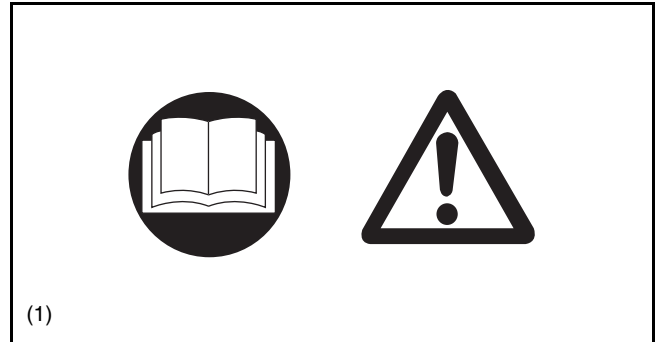
- De te dragen kleding moet functioneel zijn en afdoende bescherming bieden. De kleding mag de werkzaamheden niet hinderen. Draag nooit kettingen, loszittende kledingstukken of lang haar wat door de aanzuigtrechter kan worden ingezogen.
- Om hoofd-, oog-, of voetverwondingen te voorkomen evenals uw gehoor te beschermen moet u tijdens de werkzaamheden de volgende beschermende maatregelen nemen:

Geef de volgende voorschriften extra aandacht:

- Kleding moet nauwaansluitend en afgekleed zitten, maar moet voldoende bewegingsruimte bieden. Draag geen loszittende jassen, broeken met brede pijpen of omgeslagen zomen, sjaal, loshangend lang haar of iets anders dat in de luchtinlaat kan worden gezogen. Draag beschermende lange broeken, geen korte broeken. (4)
- Het uitlaatgeluid kan uw gehoor beschadigen. Draag oorbescherming zoals oorproppen of gehoorbeschermers. Regelmatige gebruikers moeten hun gehoor regelmatig laten testen. (3)
- Het gebruik van handschoenen is aangeraden. Goed schoeisel is erg belangrijk. Draag beschermende schoenen met anti-slipzolen. (4)
- Deugdlijke oogbescherming is een must. Alhoewel de luchtstroom van u af gericht is, kunnen steentjes of takjes terug kaatsen tijdens de werkzaamheden. (3)
- Nooit een blazer gebruiken zonder een veiligheidsbril of een goed passende, beschermende bril te dragen met afdoende bescherming aan de boven- en zijkanten, die voldoet aan ANSI Z 87.1 (of de van toepassing zijnde nationale norm).

Het starten van de blazer

- Verzekeer u ervan dat er geen kinderen of andere personen zich bevinden binnen een straal van 15 meter (5), let ook op eventuele aanwezigheid van dieren. Gebruik de blazer niet in druk bevolkte gebieden.
- Controleer voor gebruik altijd of de blazer veilig is om te gebruiken: Controleer de juiste werking van de gashendel. De gashendel moet worden gecontroleerd op soepele werking en gemakkelijke bediening. Controleer de juiste werking van de gashendelvergrendeling. Controleer of de handgrepen schoon en droog zijn en test de werking van de stopschakelaar. Voorkom dat olie of brandstof op de handgrepen komt.



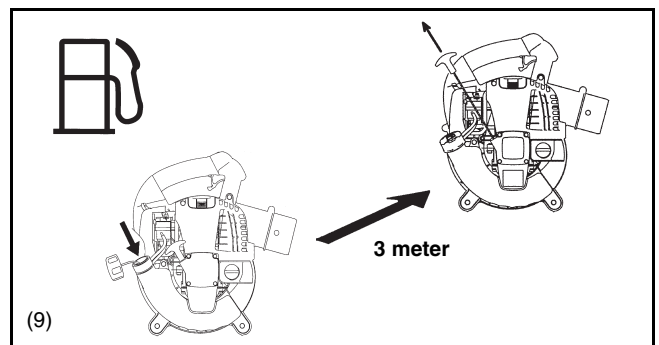
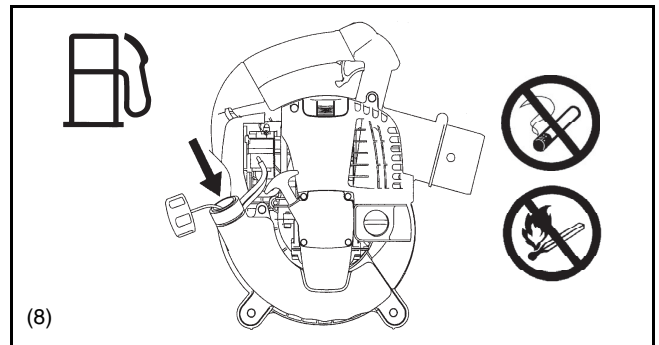
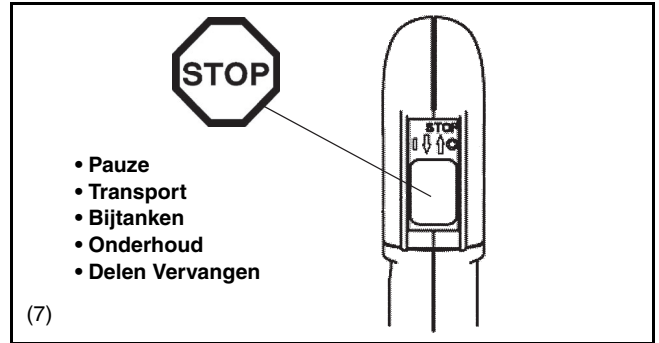
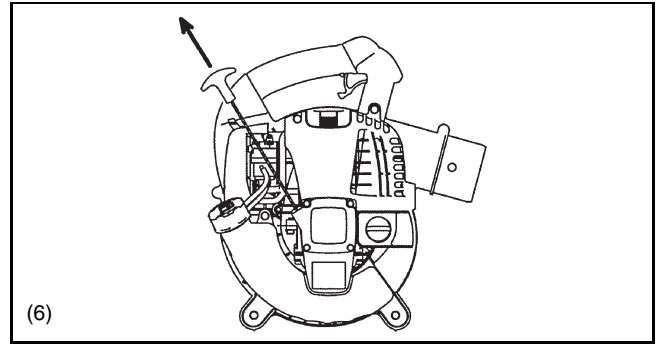
Start de blazer enkel volgens de instructies.

Probeer de machine niet op een andere manier te starten (6) !

- Gebruik de blazer en de toebehoren enkel waarvoor zij bedoeld zijn.
- Start de motor alleen nadat de machine op de juiste wijze is gemonteerd. Het gereedschap mag uitsluitend worden gebruikt nadat alle toepasselijke toebehoren zijn gemonteerd.
- De motor moet direct worden uitgeschakeld, indien zich hier problemen mee voor doen.
- Wanneer u met de machine werkt, sla uw vingers altijd losjes om de handgreep zodat u volledige controle heeft over de gashendel en de aan/uitschakelaar. Houd uw hand op deze plaats om de machine te allen tijde onder controle te houden. Zorg ervoor dat uw bedieningshendel (en de handgreep voor het vacuümhulpstuk) zich in goede staat bevinden en er geen vocht, vuil, olie of vet op zit. Verzeker u er altijd van dat u veilig en in evenwicht kunt staan.
- Werk zo met de machine dat u voorkomt dat u uitlaatgassen inademt. Werk nooit met de machine in afgesloten ruimten (gevaar van vergiftiging). Koolmonoxyde is een geur- en kleurloos gas. Zorg altijd voor voldoende ventilatie.
- Schakel de motor altijd uit tijdens werkpauzes of wanneer de blazer even niet gebruikt wordt. Berg deze zonnig veilig op voor gevaar voor derden, brandgevaar door licht ontvlambaar materiaal of beschadiging van de machine.
- Zet de machine nooit neer in droog gras of andere licht-ontvlambare materialen.
- Alle benodigde beschermingsmiddelen moeten worden gebruikt tijdens de werkzaamheden.
- Werk nooit met een dichtgekoelde (vervuilde) uitlaat.
- Schakel de motor uit bij transport (7).
- Plaats de machine veilig tijdens transporteren om brandstof-lekkage te voorkomen.
- Overtuig u ervan dat bij transporteren van de blazer de tank geleedigd is.

Bijtanken

- Schakel de motor uit bij tanken (7), houd de machine weg bij open vuur en rook beslist niet.
- Voorkom huidcontact met benzine. Inhaleer geen benzinedampen. Draag altijd beschermende handschoenen bij het tanken. Wissel en reinig regelmatig beschermende kleding.
- Voorkom het spillen van benzine en olie uit veiligheids- en milieu overwegingen. Veeg gemorste benzine direct af en reinig de machine. Laat natte doeken eerst drogen voordat u ze weggooit in een geschikte en gesloten container om te voorkomen dat ze spontaan ontbranden.
- Voorkom ieder contact van benzine op uw kleding. Trek direct kleding uit indien deze in contact is geweest met de brandstof om brandgevaar en huidcontact te voorkomen.
- Controleer met regelmaat de benzinetankdop op lekkage en of deze goed afdicht.
- Draai de benzinetankdop altijd goed aan en start de machine op een andere plaats (min. 3 meter verder) dan waar u heeft bijgetankt (9).
- Tank nooit bij in afgesloten ruimten. Benzinedampen vormen zeer brandbare gassen op grondniveau (gevaar voor explosies).
- Transporteer en sla de benzine enkel op in goedgekeurde cans. Verzeker u dat de benzine volgens voorschriften is opgeslagen en geen toegang heeft voor derden.
- Tank nooit een hete of nog draaiende motor bij.



Bedieningsinstructie

- Gebruik de blazer enkel bij goed zicht en goede belichting. Tijdens de koude seizoenen, let op een natte en gladde ondergrond met ijs en sneeuw (gevaar tot uitglijden). Sta altijd stabiel.
- Werk nooit op instabiele plaatsen of een steile ondergrond.
- Om de kans op persoonlijk letsel te verkleinen, mag u geen luchtstroom richten op omstanders aangezien de hoge druk van de luchtstroom oogletsel kan veroorzaken en kleine voorwerpen met een hoge snelheid kan wegwerpen.
- Steek nooit een vreemd voorwerp in de luchtinlaat van de machine of in het mondstuk van de luchtblazer. Hierdoor zal de ventilator worden beschadigd, en kan ernstig letsel worden veroorzaakt bij de gebruiker en omstanders doordat het voorwerp of kapotte onderdelen op hoge snelheid uit de machine worden geworpen.
- Let op de windrichting; werk niet tegen de windrichting in.
- Om het gevaar van struikelen en vallen te voorkomen, werk nooit lopend in achterwaartse richting.
- Schakel de motor altijd uit indien u de machine onderhoudt of reinigt of indien u onderdelen vervangt.

Onderhoudsinstructies

- Wees milieubewust. Werk met zo min mogelijk lawaai en belasting van het milieu als mogelijk. Controleer de afstelling van de carburateur.
- Reinig de blazer met regelmaat en controleer alle bouten, moeren en schroeven op hun bevestiging.
- Onderhoud of plaats de blazer nooit in nabijheid van open vuur, vonken, etc. (11).
- Sla de blazer altijd op met een lege tank in een goed geventileerde ruimte.

Houd u zich aan en volg alle relevante veiligheidsinstructies, uitgegeven door overheidsinstellingen en verzekeraars. Voer geen enkele wijzigingen uit aan uw blazer, omdat dit uw veiligheid in gevaar brengt.

Het uitvoeren van onderhoud of reparaties door de gebruiker is beperkt tot de in deze gebruiksaanwijzing omschreven punten. Alle andere werkzaamheden dienen door de erkende vakman/dealer uitgevoerd te worden.

Gebruik enkel originele Makita-onderdelen.

Gebruik van niet originele onderdelen of toebehoren verhoogt de kans op verwondingen en ongelukken. Makita accepteert geen enkele claim die voortvloeit uit het gebruik van niet-originele onderdelen of toebehoren.

Eerste Hulp

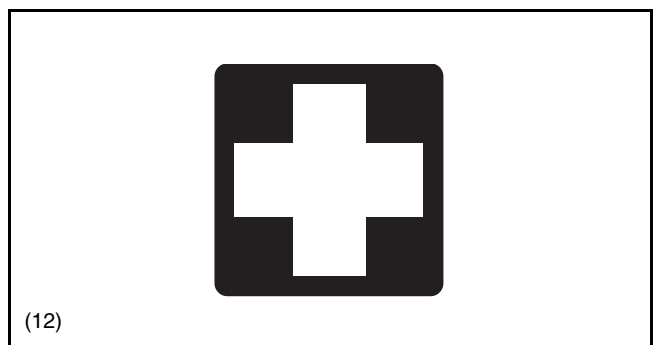
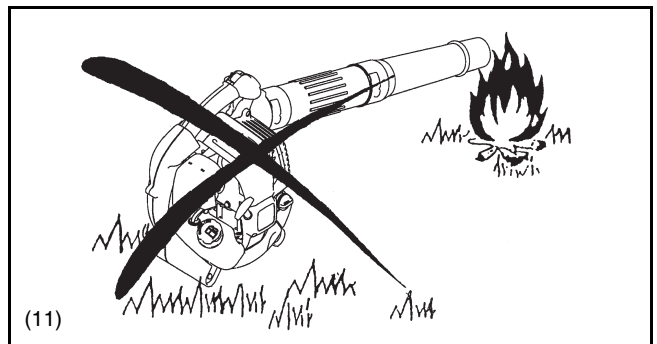
In geval van ongelukken dient een goed gevulde Eerste hulp-koffer volgens DIN 13164 aanwezig te zijn. Vul direct na gebruik van de inhoud de koffer weer volledig aan.

Wanneer u hulp inroept, geef altijd de volgende informatie:

- Plaats van ongeluk
- Wat er gebeurt is
- Aantal verwonde mensen
- Aard van verwondingen
- Uw naam

Verpakking

De Makita-blazer wordt geleverd in een beschermende kartonnen doos. Karton is geschikt voor hergebruik en geschikt voor recycling.



EG-VERKLARING VAN CONFORMITEIT

Alleen voor Europese landen

De EG-verklaring van conformiteit is bijgesloten als Aanhangsel A bij deze gebruiksaanwijzing.

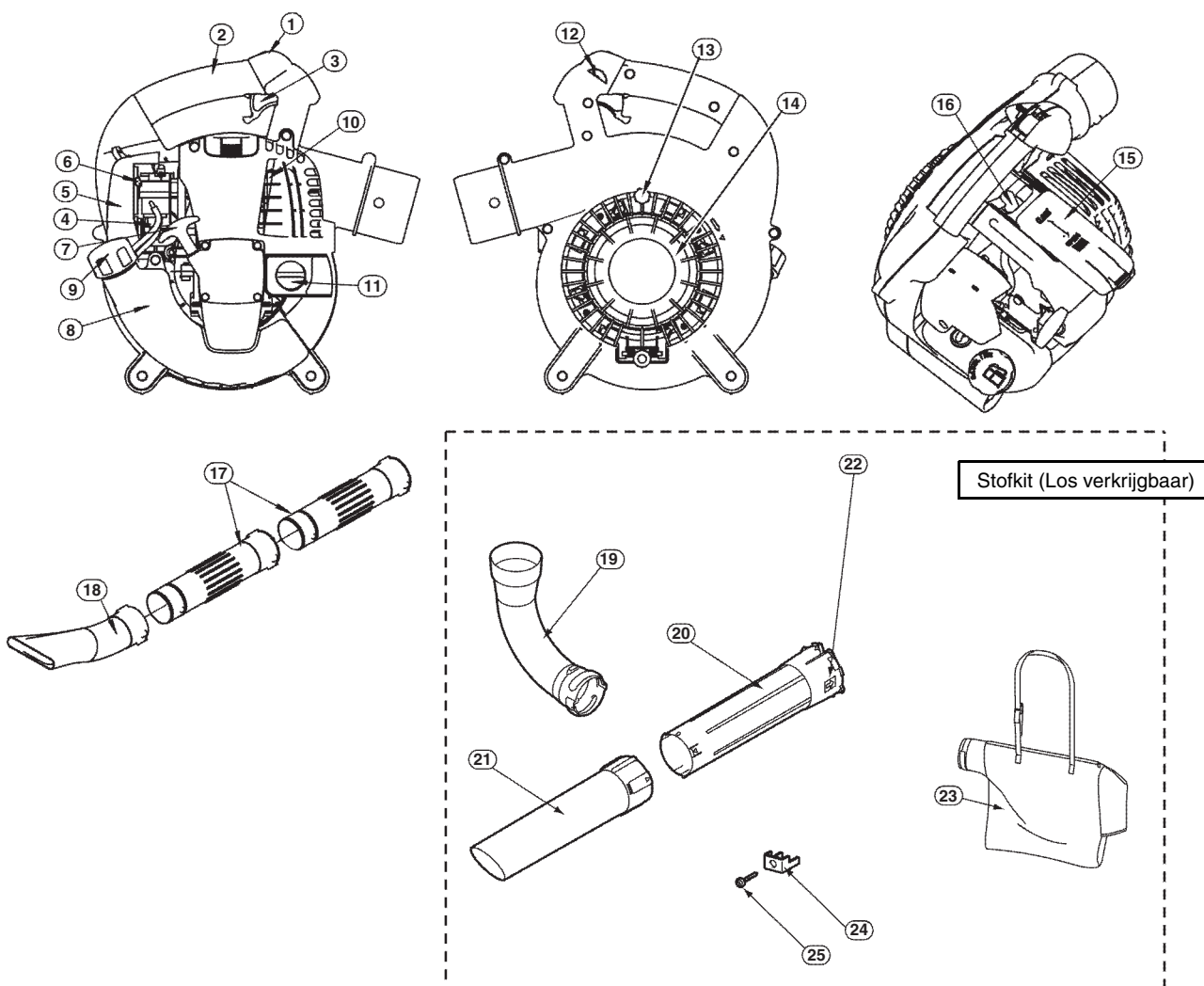
TECHNISCHE GEGEVENS

Model		BHX2501	BHX2501 met stofzuigkit
Droog gewicht (zonder pijpen)	(kg)	4,5	
Afmetingen (zonder pijpen) (totaal l x b x h)	(mm)	350 x 231 x 368	
Max. toerental	(min ⁻¹)	7.800	
Stationair toerental	(min ⁻¹)	3.500	
Cilinderverplaatsing	(mL)	24,5	
Brandstof		Autobenzine	
Inhoud brandstoftank	(L)	0,52	
Motorolie		SAE10W-30 olie van API Classificatie SF Klasse of hoger (4-takt olie voor auto's)	
Olievolume van de motor	(L)	0,08	
Carbureteur (Membraan-type)		WALBRO WYL	
Ontsteking		Transistorontsteking	
Bougie		NGK CMR6A	
Elektrode-afstand	(mm)	0,7 – 0,8	
Trillingen volgens ISO22867 (*Linkerkant/rechterkant)	a _{pv eq} (m/s ²)	9,3	8,1/11,1*
	Onzekerheid K (m/s ²)	0,5	0,5/1,3*
Gem. Geluidsdruk volgens ISO22868	L _{PA eq} dB(A)	90,8	92,8
	Onzekerheid K dB(A)	1,4	3,8
Gem. Geluidsniveau volgens ISO22868	L _{WA eq} dB(A)	104,4	104,3
	Onzekerheid K dB(A)	1,6	1,5

Opmerkingen:

1. Gebruik uitsluitend de door MAKITA gespecificeerde olie en bougie.
2. Deze technische gegevens kunnen zonder kennisgeving vooraf gewijzigd worden.

BENAMING VAN ONDERDELEN



BENAMING VAN ONDERDELEN	BENAMING VAN ONDERDELEN	BENAMING VAN ONDERDELEN	BENAMING VAN ONDERDELEN
1. Stopschakelaar	8. Benzinetank / Hulpgreep	15. Bougiekap	22. Pijlteken
2. Hoofdgreep	9. Benzinetankdop	16. Bougie	23. Stofzak
3. Trekker	10. Uitlaat	17. Blaaspijp	24. Beugel
4. Opvoerpomp	11. Oliekop	18. Blaasmond	25. Schroef
5. Afdekking luchtfilter	12. Throttle vergrendelknop	19. Elleboog	
6. Chokehendel	13. Schroef	20. Zuigmond A	
7. Trekstarter	14. Beschermerooster	21. Zuigmond B	

OPBOUWINSTRUCTIES

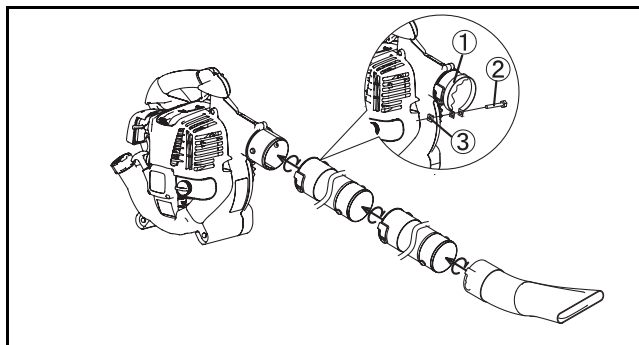


LET OP: Altijd voordat u werkzaamheden aan de blazer uitvoert, de motor uitschakelen en de bougiedop lostrekken.

LET OP: Draag altijd beschermende handschoenen.

1. Bevestiging van de pijpen

- 1) Lijn de groeven van de blazerpijpen uit met de nokken op het ventilatorhuis en plaats deze over elkaar.
- 2) Draai nu de pijp met de richting van de klok mee en schroef deze aan elkaar.
- 3) Plaats de klem ① rond de opening van de pijp van de blazer. Zet goed vast met bout ② en moer ③.



2. Bevestiging van de zuigtoebehoren.

1) Monteer opzuigpijp (nozzle)

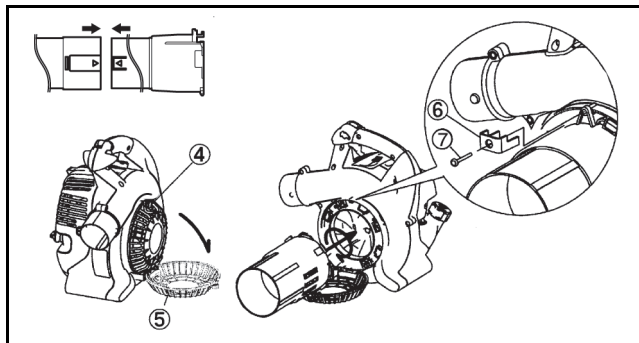
- (1) Draai schroef ④ los en open het beschermrooster ⑤.





WAARSCHUWING!

Als u de bladblazer gaat gebruiken voor blazen, dient u van tevoren altijd het beschermrooster ⑤ te sluiten en de schroef ④ vast te draaien. Anders zou het onafgeschermd schoepenwiel uw lichaam of kleding kunnen grijpen, met kans op ernstige verwondingen.

Gebruik de opzuigpijpen A en B altijd beide tegelijk. Anders zou aanraking met het schoepenwiel ernstige verwondingen kunnen veroorzaken wanneer u vastgeraakt afval uit de pijp probeert te verwijderen.



- (2) Lijn de “▲” tekens op de opzuigpijpen A en B met elkaar uit. Schuif opzuigpijp A in opzuigpijp B totdat de drie klemmetjes vastklikken.
- (3) Lijn de  afgetekend op de opzuigpijp uit A met het “●” teken op de blazer. Plaats nu de opzuigpijp in de opening van de blazer.
- (4) Draai de opzuigpijp totdat de  is uitgelijnd met het “▼” teken op de blazer, zodat deze vastgedraaid zit.
- (5) Zet de opzuigpijp goed vast aan de blazer met schroef ⑦ en beugel ⑥. Draai de schroef niet al te ver aan, om te voorkomen dat er onderdelen breken.

Let op: Verricht het vastzetten van stap (5) niet als de blazer gebruikt gaat worden in een land of streek waar het CE-merk niet van toepassing is.

Opmerking: De motor zal niet starten als de vacuümbuis niet volledig gemonteerd is.

2) Bevestiging van elleboog en stofzak.

- (1) Open de sluiting van de stofzak.
- (2) Steek het geribde uiteinde van de elleboog in de stofzak en trek de elleboog naar buiten door de inlaatopening van de stofzak.
- (3) Maak de elleboog vast met klittenband rond de plaats die in de afbeelding staat aangegeven.

LET OP

Installeer de stofzak uit de buurt van het geribde uiteinde van de elleboog. Als de stofzak te dicht bij de motor komt, kunnen de uitlaatgassen de stofzak schroeien.

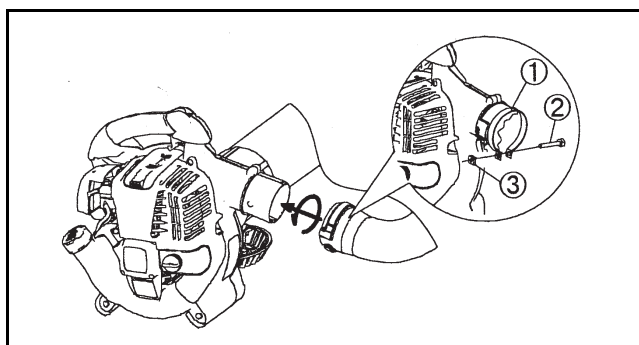
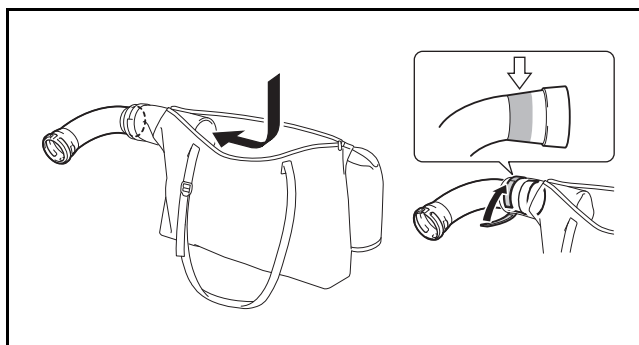
- (4) Bevestig de elleboog op de blazer.
- (5) Plaats klem ① rond de opening van de elleboog. Zet goed vast met bout ② en moer ③.

Let op: Verricht het vastzetten van stap (5) niet als de blazer gebruikt gaat worden in een land of streek waar het CE-merk niet van toepassing is.



WAARSCHUWING!

Zuig geen grote stukken hout, metalen, glas, stenen, vloeistoffen, brandende sigaretten of andere brandende voorwerpen op.



VOOR GEBRUIK

1. Inspectie en bijvullen van motorolie

(1) Volg de onderstaande procedure wanneer de motor koud is.

Zorg ervoor dat de motor op een vlakke, horizontale ondergrond staat, zoals aangegeven in afbeelding 1.

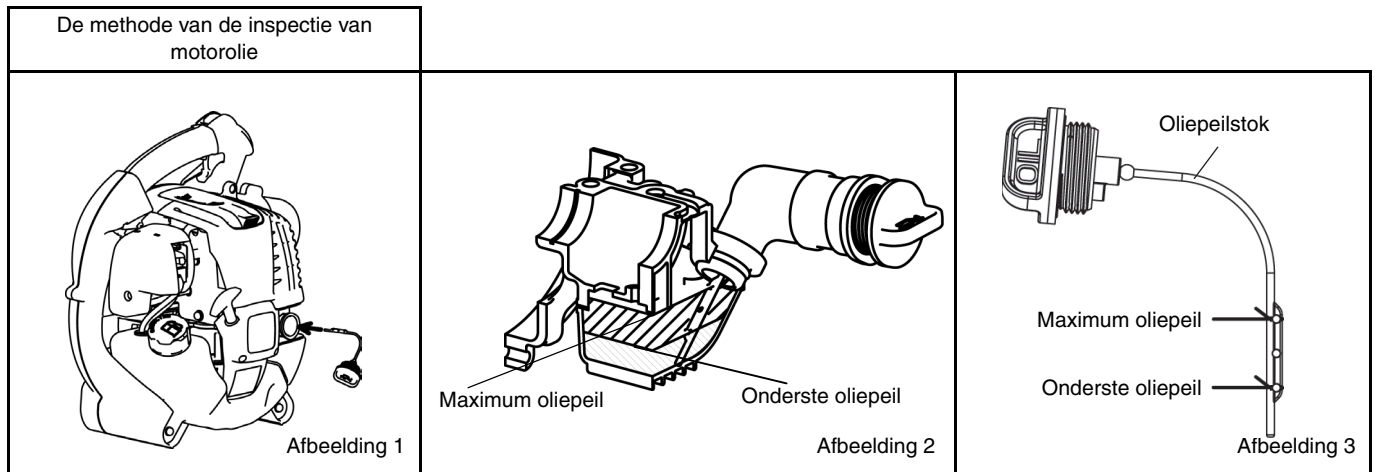
- **Inspectie:** Verwijder de oliedop. Veeg de oliepeilstok af. Plaats de oliedop terug (afbeelding 2) en verwijder hem weer. Controleer of het oliepeil tussen de onderste en bovenste merktekens staat.
- **Bijvullen:** Als na inspectie blijkt dat het oliepeil onder het onderste merkteken staat, vult u olie bij via dezelfde opening waaruit de oliedop werd gedraaid. Zie afbeelding 4 voor hoe de motor moet worden gehouden om olie bij te vullen.

(2) Het kan nodig zijn olie bij te vullen na iedere 10 bedrijfsuren (na iedere 10 keer brandstof bijvullen).

(3) Als de olie van kleur verandert of met vuil is vermengd, ververs u de olie. (Raadpleeg pagina 87 voor informatie over het verversingsinterval en de verversingsprocedure.)

Aanbevolen olie: SAE10W-30 olie van API Classificatie SF Klasse of hoger (4-takt olie voor auto's)

Hoeveelheid olie: Ongeveer 0,08 L

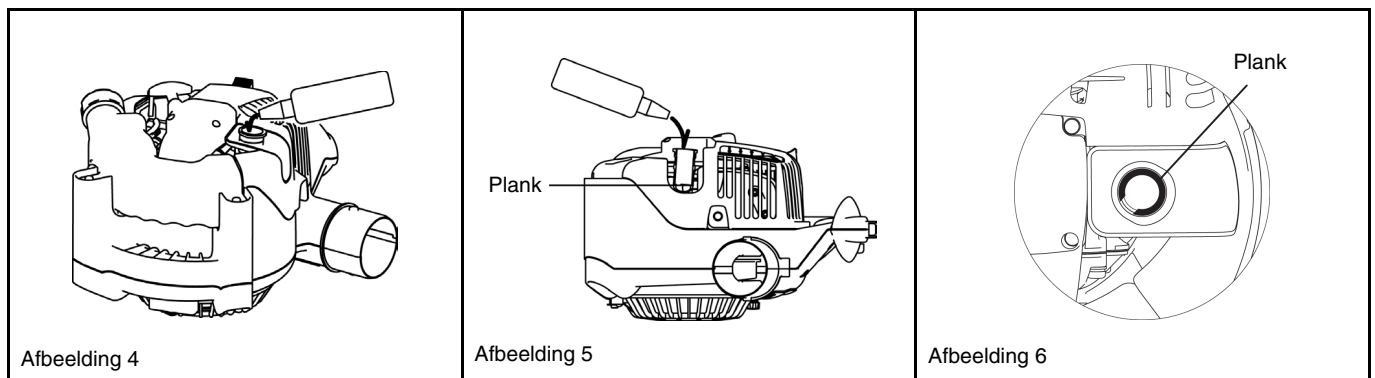


OPMERKING

- Als de motor niet in de stand wordt gehouden zoals aangegeven in Afbeelding 1 op een horizontale ondergrond, kan het oliepeil onnauwkeurig worden aangegeven.
- Als er teveel olie in het carter gedaan is, kan de olie verontreinigd raken, of verbranden met een witte rook als resultaat.

Olie verversen, "oliepeilstok"

- Verwijder stof en vuil rond de oliedop-opening en draai de oliepeilstok los.
- Houd de losgemaakte oliepeilstok vrij van zand en stof. Doet u dat niet, dan kan vuil dat aan de oliepeilstok blijft kleven de circulatie van de olie door de motor belemmeren of het binnenwerk beschadigen, wat kan leiden tot problemen.
- Een manier om de oliepeilstok schoon te houden is om de draaiknop van de oliepeilstok in de motorafdekking te steken.



Na het bijvullen van olie

- Veeg gemorste olie af met een poetsdoek.

2. Brandstofvoorziening

WAARSCHUWING

- Let bij het bijvullen van brandstof op de volgende punten om te voorkomen dat brand uitbreekt:
 - Werk met brandstof en tank op een plek waar geen vuur of hittebron in de buurt is. Breng in geen geval vuur of hittebronnen (door te roken bijvoorbeeld) in de buurt van de brandstof.
 - Zet de motor uit en laat de motor afkoelen voordat u brandstof bijvult.
 - Draai de brandstofvuldop langzaam los. De brandstof kan eruit komen als gevolg van inwendige druk.
 - Wees voorzichtig dat u geen brandstof morst. Veeg eventueel gemorste brandstof onmiddellijk weg.
 - Tank alleen op een goed geventileerde plek.
- Ga voorzichtig om met brandstof.
 - Wanneer brandstof op de huid of in een oog terecht komt, kan dit leiden tot allergische reacties of irritatie. Roep onmiddellijk medische assistentie in wanneer u een fysieke afwijking bespeurt.
- Giet GEEN olie in de brandstoftank.

OPSLAGTERMIJN VAN BRANDSTOF

Brandstof hoort binnen 4 weken opgebruikt te worden, zelfs al wordt het bewaard in een speciale container in een goed geventileerde, donkere ruimte.

Als u geen speciale container gebruikt, of als de container open is, kan brandstof binnen een dag onbruikbaar worden.

Opslag van de machine en de tank

- Bewaar de machine en de tank op een koele plek, uit de zon.
- Bewaar brandstof nooit in een auto.

BRANDSTOF

De gebruikte motor is een 4-takt motor. Let er op dat u benzine voor auto's gebruikt (normaal of super).

Opmerkingen over brandstof

- Gebruik nooit een benzine-olie mengsel. Doet u dit toch, dan kan er zich een koolstof afzetting vormen en kunnen er mechanische problemen op gaan treden.
- Als verslechterde olie wordt gebruikt, zal dat leiden tot onregelmatig starten.

Let er bij het bijvullen van brandstof op dat de motor is uitgezet en controleer of de motor is afgekoeld.

METHODE VAN BRANDSTOF BIJVULLEN

- Draai de brandstofvuldop een klein stukje los en de druk in de brandstoftank af te laten.
- Draai de brandstofvuldop eraf, vul brandstof bij en laat de lucht uit de brandstoftank stromen door de brandstoftank iets te kantelen zodat de brandstofvulopening recht omhoog wijst.
(NIET bijvullen tot in de vulopening van de brandstoftank.)
- Na het bijvullen van brandstof draait u de brandstofvuldop weer stevig vast.
- Als enige onvolkomenheid of schade aan de brandstofvuldop wordt geconstateerd, moet deze worden vervangen.
- De brandstofvuldop is na verloop van tijd versleten. Vervang de brandstofvuldop iedere twee of drie jaar.
- GEEN brandstof bijvullen in de olievlopening.

BEDIENING



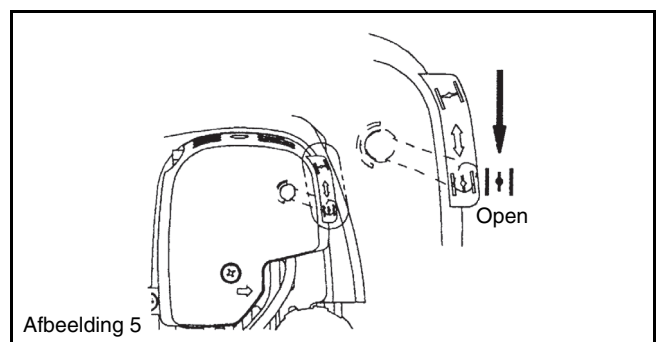
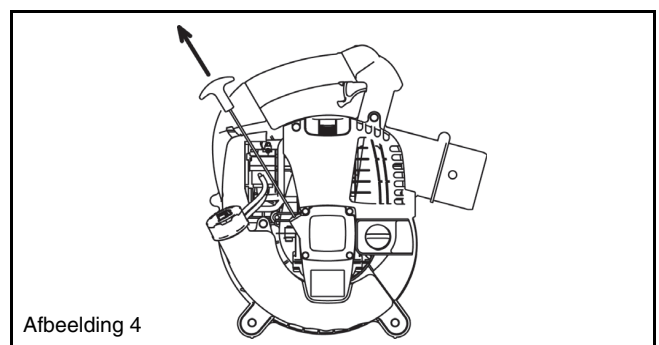
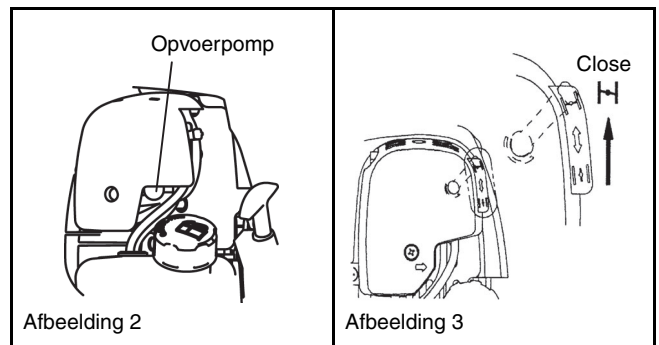
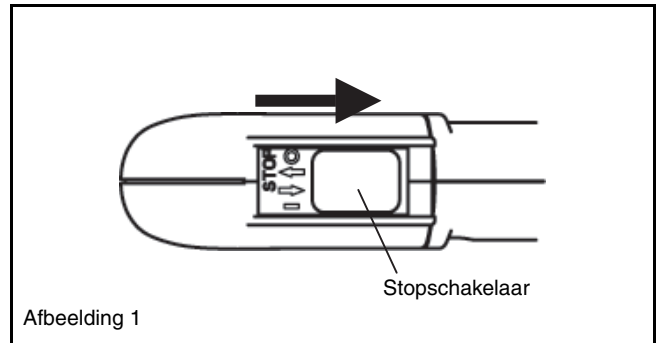
1. Starten

⚠ WAARSCHUWING

- Start de motor in geen geval op dezelfde plek als waar u getankt heeft.
 - Hierdoor kan ontbranding of brand ontstaan. Blijf bij het starten van de motor op een afstand van ten minste 3 meter.
- Het uitlaatgas uit de motor is giftig. Gebruik de motor niet op een slecht geventileerde plek, bijvoorbeeld in een tunnel, in een gebouw enz.
 - Gebruik van de motor op een slecht geventileerde plek kan leiden tot vergiftiging door uitlaatgassen.
- Stop en inspecteer de motor onmiddellijk wanneer u na het starten iets abnormaals bespeurt, zoals een vreemd geluid, geur, of trilling.
 - Als u de motor blijft gebruiken terwijl zich een dergelijk abnormaal verschijnsel voordoet, kan dat leiden tot een ongeval.
- Controleer of de motor inderdaad stopt wanneer de stopschakelaar op de "O" stand wordt gezet.

1) Als de motor koud is of na het bijvullen van brandstof

- (1) Plaats de machine op een vlakke ondergrond.
- (2) Zet de stopschakelaar op "I" (Afbeelding 1).
- (3) Blijf op de opvoerpomp drukken tot er brandstof in de opvoerpomp komt. (Afbeelding 2)
 - In het algemeen zal er na 7 tot 10 keer drukken brandstof in de opvoerpomp komen.
 - Als u de opvoerpomp te intensief gebruikt, zal het teveel aan benzine teruggevoerd worden naar de brandstoftank.
- (4) Til de chokehendel op naar de gesloten stand (Afbeelding 3).
- (5) Houd de hoofdgreep vast met uw linkerhand om te voorkomen dat de motor beweegt.
- (6) Trek de hendel van de trekstarter voorzichtig uit tot u weerstand voelt. Laat de trekstarter vervolgens terugkeren en trek er dan krachtig aan (Afbeelding 4).
 - Trek nooit door tot aan het einde van het trekstartkoord.
 - Laat nooit direct los nadat u de trekstarter heeft uitgetrokken. Houd de trekstarter vast totdat deze terugkeert naar zijn oorspronkelijke positie.
- (7) Zet de chokehendel open wanneer de motor start. (Afbeelding 5)
 - Zet de chokehendel steeds verder open terwijl u controleert hoe de motor loopt. Vergeet niet dat de chokehendel uiteindelijk helemaal open moet staan.
 - Als het koud is of wanneer de motor is afgekoeld, mag u nooit de chokehendel ineens helemaal open zetten. Doet u dit toch, dan kan de motor stilvallen.
- (8) Laat de motor 2 a 3 minuten opwarmen.
- (9) Het opwarmen is klaar wanneer de motor snel accelereert van een laag toerental naar volledig geopend gas.



OPMERKING

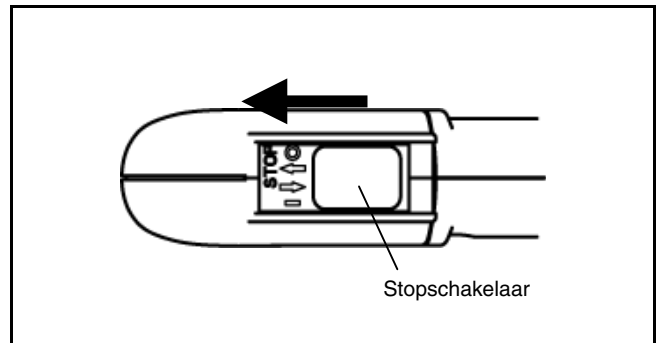
- De motor kan beschadigd raken als de chokehendel verder gezet wordt dan de "CLOSE" (Dicht) stand.
- Als de motor aanslaat en afslaat, zet u deze hendel terug in de stand "OPEN" en trekt u meerdere keren aan de trekstarter om de motor opnieuw te starten.
- Als de gebruiker meerdere keren aan de trekstarter blijft trekken met de chokehendel in de stand "CLOSE", kan de motor moeilijk worden gestart omdat te veel brandstof is toegevoerd ("verzopen").
- In het geval de motor door te veel brandstof is verzopen, verwijdert u de bougie en trekt u meerdere keren snel aan de trekstarter om het overschot aan brandstof te verwijderen. Droog de elektroden van de bougie.
- Wanneer de gasklep niet terugkomt in een stand waarin deze de stationair stelschroef raakt, zelfs niet wanneer het gas helemaal dicht staat, stel dan de kabel opnieuw af zodat de klep terugkeert in de correcte stand.

2) Wanneer de motor warm is.

- (1) Plaats de motor op een vlakke ondergrond.
- (2) Druk een paar keer op de opvoerpomp.
- (3) Controleer of de chokehendel open staat.
- (4) Houd de hoofdgreep vast met uw linkerhand om te voorkomen dat de motor beweegt.
- (5) Trek de hendel van de trekstarter voorzichtig uit tot u weerstand voelt. Laat de trekstarter terugkeren naar de uitgangspositie en trek er vervolgens stevig aan.
- (6) Wanneer de motor moeilijk te starten is, kunt u proberen het gas ongeveer 1/3 open te zetten.

2. Stop

Laat de aan/uit-schakelaar los om het motortoerental te verlagen en zet de stopschakelaar in de stand "O".
(Ontgrendel de gashendelvergrendeling als deze de gashendel in de volledig geopende stand vergrendelt.)



AFSTELLINGEN



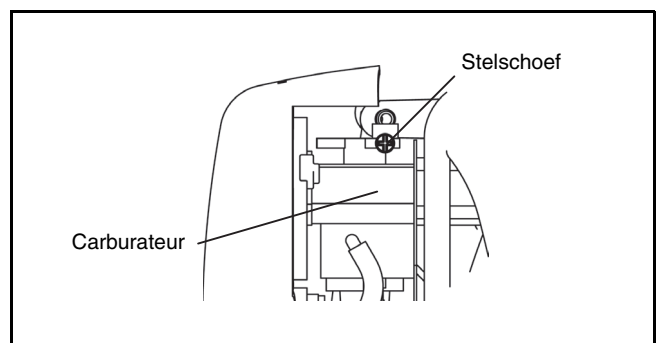
⚠ GEVAAR

De carburateur is in de fabriek afgesteld. Stel niet af, anders dan het stationaire toerental. Als het nodig is om hem bij te stellen, dient u contact op te nemen met uw erkende onderhoudsmonteur.

Controleren van het stationaire toerental

Stel het stationaire toerental in op 3500 rpm (min^{-1}).

- Wanneer het noodzakelijk is het stationaire toerental bij te stellen, dient u de stelschroef op de carburateur bij te stellen, met een kruiskopschroevendraaier.
- Draai de stelschroef rechtsom om het motortoerental te verhogen. Draai de stelschroef linksom om het motortoerental te verlagen.



IJsvorming in de carburateur voorkomen

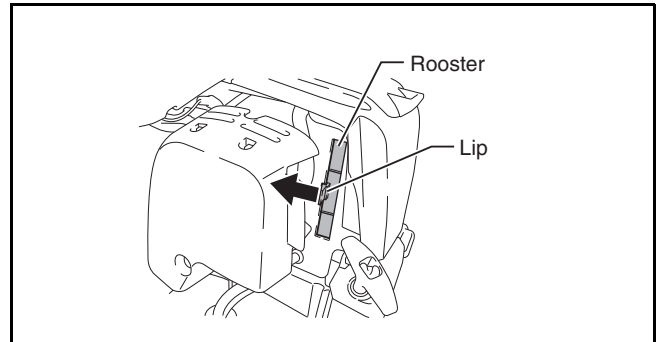
KENNISGEVING

Wanneer de omgevingstemperatuur hoger is dan 10 °C, sluit u altijd het rooster (normale stand). Anders kan de motor beschadigd raken door oververhitting.

Wanneer de omgevingstemperatuur laag is en de luchtvochtigheid hoog is, kan waterdamp bevroren binnenin de carburateur waardoor de motor onregelmatig loopt (ijsvorming in de carburateur). Verander zo nodig de stand van het rooster als volgt.

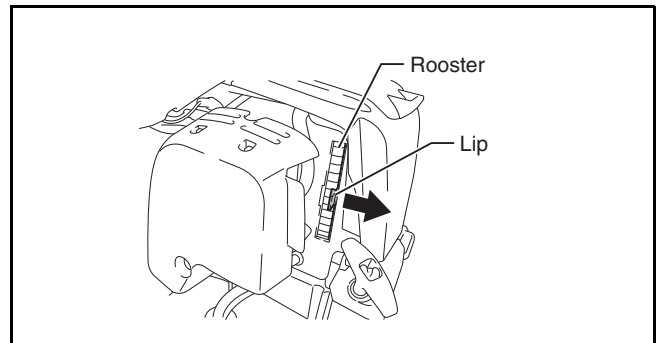
• Omgevingstemperatuur hoger dan 10 °C

Pak de lip op het rooster vast en schuif deze naar links (gesloten stand).



• Omgevingstemperatuur lager dan 10 °C

Pak de lip op het rooster vast en schuif deze naar rechts (geopende stand).

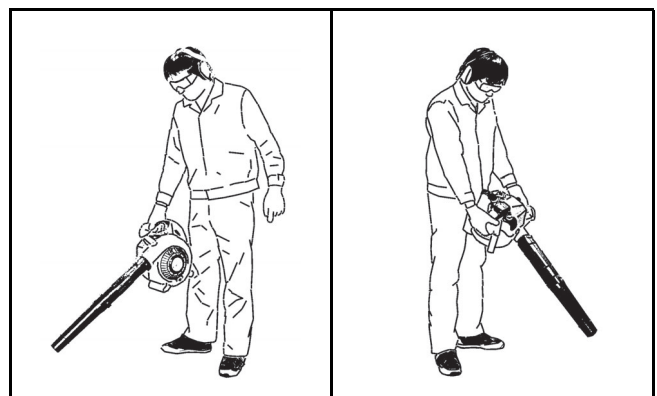


BEDIENINGSMETHODE



1. Gebruik als blazer

- Houd de machine stevig vast tijdens gebruik.
- Richt het uiteinde van het mondstuk op de plek waar u wilt blazen en haal de trekker over.
- Knijp de trekker helemaal in, houdt de throttle vergrendelknop ingedrukt en laat met uw vinger de trekker los zodat de trekker is vergrendeld op volledig geopend gas.
- Knijp de trekker nogmaals in om de gashendelvergrendeling te ontgrendelen.
- Het onderste deel van de brandstoftank fungeert tevens als hulpgreep zodat u de machine met beide handen kunt gebruiken. Houd in dit geval de hulpgreep met uw rechterhand vast.



2. Zuigen

WAARSCHUWING

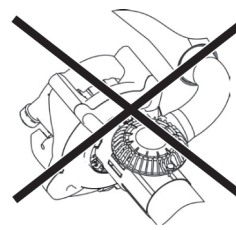
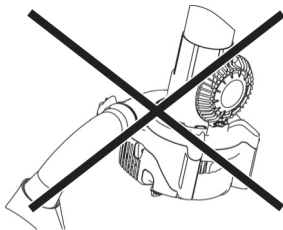
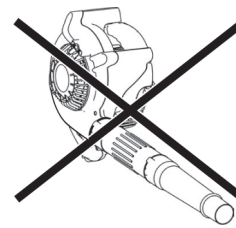
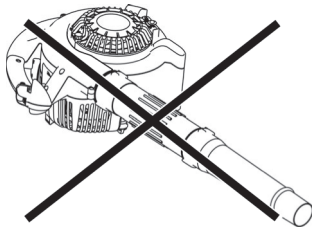
- Zorg ervoor dat er geen dingen zoals kerosine, benzine of brandende sigaretten de machine in gezogen worden.
 - Als u dat niet doet, kan brand ontstaan.
- Zorg ervoor dat er geen ongeschikte materialen zoals grote houtsnippers, stukken metaal, glas, kiezelstenen enz. in de machine gezogen worden.
 - Hierdoor kunnen namelijk gemakkelijk storingen ontstaan.
- Door de stofzak te ver te vullen, kan deze overstromen aan de kant van de motor. Leeg de stofzak voordat deze helemaal vol zit.
 - Als u dat niet doet, kan brand ontstaan.

- Draag de schouderriem voor de stofzak en stel de riem op een comfortabele lengte in.
- Controleer of de stofzak niet gedraaid zit en haal de aan/uit-schakelaar over om uw werk te beginnen.
- Als de stofzak vol zit, verwijdert u de stofzak van de blazer en opent u de sluiting om de stofzak te legen.



OPMERKING

Als de blazer wordt bediend terwijl het beschermrooster omhoog gericht is of de hoofdgreep omlaag gericht is, kan witte rook worden uitgestoten, kan de olie verontreinigd worden of kan olie eruit lekken.





GEVAAR

- Stop de motor en laat deze afkoelen voor u inspectie en onderhoud gaat uitvoeren. Verwijder de bougie en de bougiekap.
 - Als u inspectie of onderhoud uitvoert direct nadat de motor gestopt is of wanneer de bougiekap nog op zijn plaats zit, kunt u zich branden of een ongeval oplopen omdat de motor onverwacht opstart.
- Controleer of alle onderdelen goed op hun plek zitten na inspectie of onderhoud. Ga pas daarna de machine opnieuw gebruiken.

1. Verversen van de motorolie

Te lang gebruikte motorolie zal de levensduur van de heen en weer bewegende en roterende onderdelen flink bekorten. Vergeet niet te controleren wanneer en hoeveel olie verversd moet worden.

GEVAAR

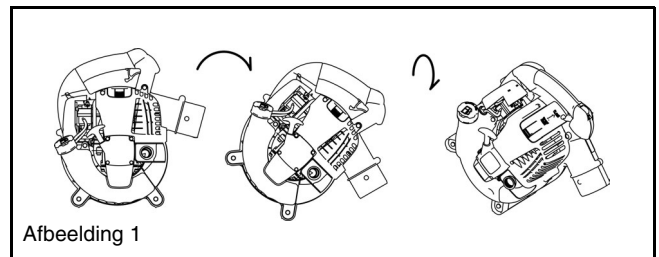
- In het algemeen zullen de motor zelf en de motorolie nog enige tijd heet blijven ook al is de motor gestopt. Als u de olie wilt gaan verversen, moet u eerst controleren of de motor zelf en de motorolie daarin voldoende zijn afgekoeld. Doet u dat niet, dan bestaat het gevaar dat u zich zult branden. Wacht nadat de motor is uit gezet voldoende lang om de motorolie te laten terugstromen naar de olietank voor een nauwkeurige controle van het oliepeil.
- Als er teveel olie in het carter gedaan is, kan de olie verontreinigd raken, of verbranden met een witte rook als resultaat.

Verversingsinterval: Na de eerste 20 bedrijfsuren en vervolgens na iedere 50 bedrijfsuren.

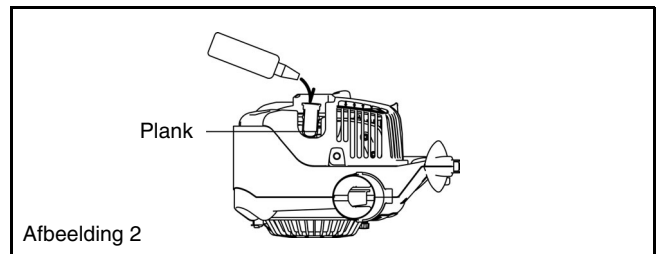
Aanbevolen olie: SAE10W-30 olie van API Classificatie SF Klasse of hoger (4-takt olie voor auto's)

Voer de volgende procedure uit bij het verversen van de olie.

- (1) Controleer of de tankdop goed dicht zit.
- (2) Maak de oliedop los.
 - Houd de oliepeilstok vrij van stof of vuil.
- (3) Kantel de blazer in de volgorde aangegeven in afbeelding 1.
 - Vang de olie op in een daarvoor geschikte bak.
- (4) Richt de blazer zoals aangegeven in afbeelding 2 en vul olie bij tot aan de rand in de oliebus.
- (5) Doe de oliepeilstok weer terug en zet hem goed vast na het verversen van de olie. Als u de oliepeilstok niet goed vast maakt, zal er olie gaan lekken.



Afbeelding 1



Afbeelding 2

Opmerkingen bij het verversen van de motorolie

- Gooi afgewerkte motorolie niet weg met het normale vuilnis en loos het niet in de natuur of in een sloot. Het afvoeren van olie is wettelijk geregeld. Volg altijd de geldende wetten en regelgeving wanneer u zich van afgewerkte motorolie wilt ontdoen. Neem contact op met een erkende onderhoudsmonteur als u hieromtrent vragen hebt.
- Ook wanneer u olie gewoon bewaart zal de olie op den duur bederven. Controleer regelmatig of de olie die u wilt gebruiken nog goed is (vervang de olie minstens elke 6 maanden).

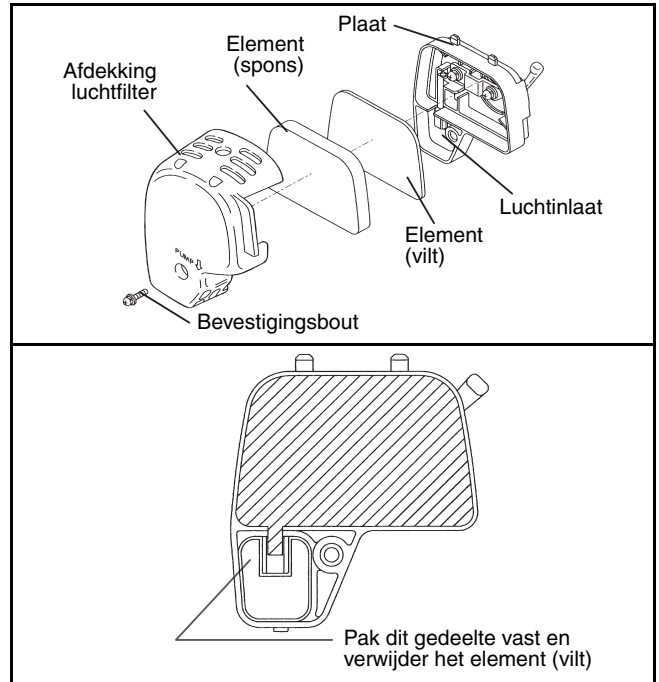
2. Reinigen van het luchtfilter



**WAARSCHUWING: ONTVLAMBARE MATERIALEN
TEN STRENGSTE VERBODEN**

Interval voor reiniging en inspectie: Dagelijks (om de 10 bedrijfsuren)

- (1) Verwijder de bevestigingsbout(en) van het deksel van het luchtfilter.
- (2) Trek het deksel naar beneden en haal het los.
- (3) Doe de chokehendel helemaal dicht en zorg ervoor dat er verder geen stof en vuil in de carburateur terecht kan komen.
- (4) Als er nog olie aan het element (spons) zit, dient u het stevig uit te knijpen.
- (5) Bij zware verontreiniging:
 - Verwijder het filterelement (spons), dompel het in warm water of in een oplossing van een mild schoonmaakmiddel in water, en droog het grondig.
 - Reinig het element (vilt) met benzine en laat het goed drogen.
- (6) Voor u het element weer terugzet, moet u controleren of het volledig gedroogd is. Is het element nog niet goed droog, dan kunt u startproblemen ondervinden.
- (7) Veeg met een poetsdoek eventuele olie rond de afdekking van het luchtfilter en luchtinlaat weg.
- (8) Direct na het reinigen dient u het deksel terug te zetten en vast te maken met de bevestigingsbout(en). (Maak eerst de haakjes aan de bovenkant vast en vervolgens aan de onderkant.)

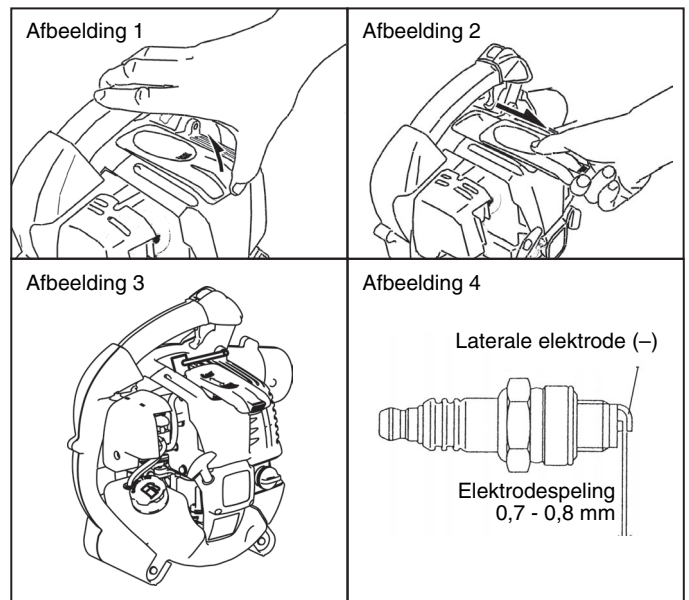


GEVAAR

- Reinig het element verschillende keren per dag als er erg veel stof door wordt opgevangen.
- Als u blijft doorwerken terwijl het filterelement vervuild is met olie, kan de olie buiten het luchtfilter terechtkomen en tot olieverontreiniging leiden.

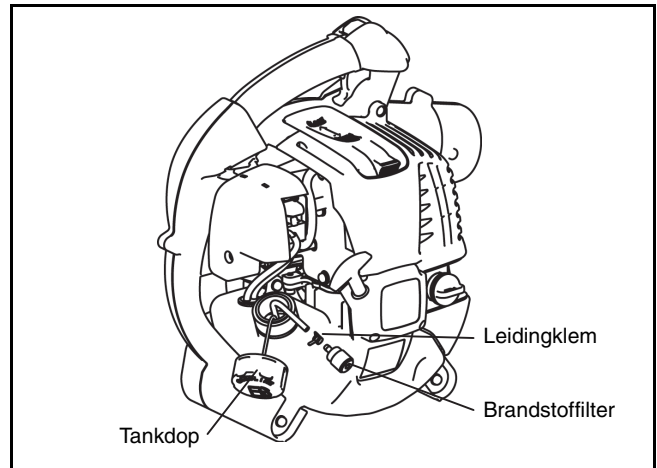
3. Controleren van de bougie

- (1) Open/dicht doen van de afdekking
Om de afdekking te openen, zet u uw vingers op de hoofdgreep en het uitsteeksel van de bougieafdekking (Afbeelding 1). Druk het uitsteeksel omhoog en schuif de afdekking in de "OPEN" richting (Afbeelding 2).
Als u de afdekking wilt sluiten, schuif u de afdekking in de richting "CLOSE" tot de klik onder het uitsteeksel van de bougieafdekking over de motorafdekking valt. Druk tenslotte het uitsteeksel naar binnen.
- (2) Verwijderen van de bougie
Gebruik de meegeleverde bougiesleutel om de bougie te verwijderen of vast te draaien (Afbeelding 3).
- (3) Controleren van de bougie
De speling tussen de twee elektroden van de bougie moet 0,7 tot 0,8 mm bedragen (Afbeelding 4). Stel de juiste speling in wanneer de afstand te groot of te klein is. Maak de bougie grondig schoon of vervang de bougie wanneer deze verontreinigd of aangeslagen is.
- (4) Vervangen van de bougie
Gebruik een NGK-CMR6A bougie ter vervanging.



4. Schoonmaken van het brandstoffilter

- Een verstopt filter kan leiden tot startproblemen of de onmogelijkheid het toerental te verhogen.
- Controleer het brandstoffilter regelmatig op de volgende wijze:
 - (1) Verwijder de tankdop en tap de brandstof af zodat de tank helemaal leeg is. Controleer de binnenkant van de tank op eventuele ongerechtigheden. Verwijder eventueel aanwezige ongerechtigheden.
 - (2) Trek het brandstoffilter met behulp van een draad naar buiten door de brandstofvulopening.
 - (3) Reinig het brandstoffilter met schone benzine als het filter vuil is. De benzine die voor het reinigen wordt gebruikt, moet worden weggegooid in overeenstemming met de lokaal geldende regelgeving.
Een buitensporig vervuild filter moet worden vervangen.
 - (4) Doe het brandstoffilter terug in de tank en doe de tankdop weer stevig op zijn plaats. Ter vervanging dient u contact op te nemen met uw dealer of een erkende reparateur.



5. Inspectie van bouten, moeren en schroeven

- Draai losgetrilde bouten, moeren enz. opnieuw vast.
- Controleer of er brandstof- of olie lekkage is opgetreden.
- Vervang beschadigde of versleten onderdelen onmiddellijk door nieuwe om een veilige werking van de machine te waarborgen.

6. Reinigen van onderdelen

- Houd de motor schoon door deze af te vegen met een poetsdoek.
- Houd de cilinders vrij van stof en vuil. Als de koelvinnen bedekt raken door stof en vuil, kan de motor vastlopen.

7. Vervangen van pakkingen en afdichtingen

Vervang de pakkingen en afdichtingen als de motor gedemonteerd is.

Onderhouds- of afstelwerkzaamheden die niet beschreven worden in deze handleiding mogen alleen worden uitgevoerd door een erkende onderhoudsmonteur.

MACHINE-OPSLAG

⚠ WAARSCHUWING

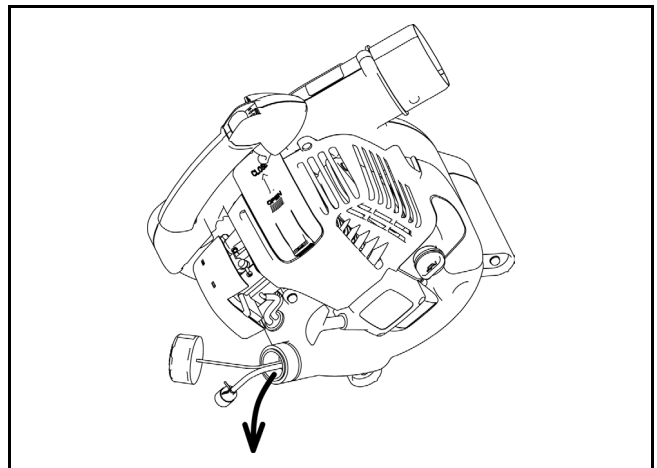
- Voor u de brandstof aftapt moet u de motor stoppen en laten afkoelen.
- Als u dat niet doet kan dat leiden tot brandwonden of brand.

⚠ GEVAAR

- Als u de blazer gedurende een lange tijd opbergt, tapt u alle brandstof af uit de brandstoftank en carburateur, en bergt u hem op een droge en schone plaats op.

Tap de brandstof uit de tank en de carburateur af via de volgende procedure:

- (1) Verwijder de tankdop en tap alle brandstof af.
Als er verontreinigingen achterblijven in de brandstoftank, dient u deze eveneens volledig te verwijderen.
- (2) Gebruik een draad om het brandstoffilter te verwijderen.
- (3) Druk op de opvoerpomp tot alle brandstof daaruit verwijderd is en tap eventuele brandstof uit de tank af.
- (4) Doe het filter weer terug in de tank en doe de tankdop goed vast.
- (5) Laat de motor vervolgens lopen tot deze vanzelf stopt.
- (6) Verwijder de bougie en druppel een beetje motorolie in het bougiegat.
- (7) Trek voorzichtig aan de starter zodat de motorolie verdeeld wordt en doe de bougie weer terug.
- (8) Houd de grepen van de blazer recht op.
- (9) Bewaar de afgetapte brandstof in een speciale jerrycan in een goed geventileerde ruimte.



Storing lokaliseren

Storing	Onderdeel	Observatie	Oorzaak
Motor start niet of nauwelijks	Ontsteking	Bougie vonkt	Oorzaak in benzinetoevoer of compressiesysteem, of mechanische oorzaak
		Vonkt niet	Stopschakelaar, kabelbreuk, kortsluiting, bougie of aansluiting defect, ontstekingsspoel defect
	Benzinetoevoer	Tank gevuld	Onjuiste chokepositie, carburateur defect, vervuilde zuigkop, breuk, knik of vuil in benzineleiding
	Compressie	Geen compressie bij start	Voetpakking stuk, krukaskeerringen defect, zuigerveren gebroken of lekke bougiepakking
Warm start problemen	Mechanische storing	Starter functioneert niet	Gebroken startveer, defecte startpallen
		Tank gevuld bougie vonkt	Carburateur vervuild, laten reinigen
Motor start maar valt stil	Benzinetoevoer	Tank gevuld	Onjuiste afstelling, vervuilde carburateur Defecte ontluchting, breuk benzineleiding, kabelbreuk, ontsteking defect
Onvoldoende vermogen	Diverse oorzaken	Stationairloop onregelmatig	Luchtfilter vervuild, carburator vervuild, uitlaatdemper verstopt, uitlaatkanaal in de cilinder verstopt.

Onderdeel	Bedrijfsuren		Bedrijfsuren							Betreffende pagina
			Voor gebruik	Na smering	Dagelijks (10 u.)	30 u	50 u	200 u	Motor uit/rustpauze	
Motorolie	Inspecteren/reinigen	○								81
	Vervang de bougie.					○*1				87
Onderdelen vastzetten (bouten, moeren)	Inspecteren	○								89
Brandstoftank	Reinigen/inspecteren	○								-
	Brandstof aftappen							○*3		89
Gashendel	Werking controleren		○							-
Stopschakelaar	Werking controleren		○							84
Stationaire draaisnelheid	Inspecteren/bijstellen			○						84
Luchtfilter	Reinigen			○						88
Bougie	Inspecteren			○						88
Kanaal luchtkoeling	Reinigen/inspecteren			○						89
Brandstofleiding	Inspecteren			○						89
	Vervang de bougie.							◎*2		-
Brandstoffilter	Reinigen/vervangen					○				89
Speling tussen luchtinlaatklep en uitlaatklep	Bijstellen							◎*2		-
Olieleiding	Inspecteren							◎*2		-
Reviseren motor								◎*2		-
Carburateur	Brandstof aftappen							○*3		89

*1 Voer de eerste verversing uit na 20 bedrijfsuren.

*2 Laat de inspectie na 200 bedrijfsuren uitvoeren door een erkende onderhoudsmonteur of motor-werkplaats

*3 Laat de motor gewoon even doorlopen nadat u de brandstoftank heeft leeg gemaakt om alle brandstof uit de carburateur te verwijderen.

OPLOSSEN VAN PROBLEMEN

Ga eerst zelf na wat er aan de hand zou kunnen zijn voor u om een reparatie gaat verzoeken. Als u iets abnormaals vindt, voer dan de handelingen beschreven in deze handleiding uit. Knoei niet met onderdelen en demonteer geen onderdelen als dat niet in de handleiding beschreven wordt. Neem contact op met een erkende onderhoudsmonteur of uw dealer voor eventuele reparaties.

Probleem	Waarschijnlijke oorzaak (storing)	Oplossing
De motor start niet	U kunt de opvoerpomp niet gebruiken.	Druk 7 tot 10 keer op de opvoerpomp.
	Er wordt niet snel genoeg aan de trekstarter getrokken.	Trek harder.
	Niet genoeg brandstof.	Ga tanken.
	Brandstoffilter verstopt.	Reinigen
	Brandstofleiding geknakt of kapot.	Haal de knik eruit of vervang de brandstofleiding.
	Slechte brandstof.	Als de brandstof oud of slecht is, is de motor moeilijker te starten. Gebruik verse brandstof. (Ververs de brandstof in de tank minstens een keer per maand.)
	Te grote toevoer van brandstof (verzuipen).	Zet de gashendel op halve of hoge snelheid en trek aan de trekstarter totdat de motor start. Als de motor nog steeds niet wil starten, dient u de bougie eruit te draaien, af te drogen en weer in te draaien. Start de motor vervolgens zoals beschreven.
	Losse bougiesdop.	Maak het stekkertje vast.
	Vuile bougie.	Reinigen
	Abnormale elektrodenafstand.	Stel de afstand tussen de elektroden van de bougie bij.
	Andere problemen met de bougie.	Vervang de bougie.
	Problemen met de carburateur.	Verzoek om inspectie en onderhoud.
	De trekstarter werkt niet.	Verzoek om inspectie en onderhoud.
Problemen met de overbrenging.	Verzoek om inspectie en onderhoud.	
Motor valt stil. Motorsnelheid neemt niet toe.	Niet genoeg opgewarmd.	Laat de motor eerst opwarmen.
	De chokehendel staat op "CLOSE" (dicht), alhoewel de motor al opgewarmd is.	Zet de chokehendel op "OPEN"
	Brandstoffilter verstopt.	Reinigen
	Luchtfilter verstopt of verontreinigd.	Reinigen
	Problemen met de carburateur.	Verzoek om inspectie en onderhoud.
	Problemen met de overbrenging.	Verzoek om inspectie en onderhoud.
	Gaskabel losgeraakt	Maak het stekkertje vast.
	Problemen met de overbrenging.	Verzoek om inspectie en onderhoud.
De motor stopt niet.	Stekkertje los.	Maak het stekkertje vast.
	Problemen met het elektrische systeem.	Verzoek om inspectie en onderhoud.
<div style="border: 1px solid black; padding: 5px; width: fit-content;"> Laat de motor stationair lopen en zet de chokehendel op CLOSE (dicht). </div>		

Wanneer de motor niet start na het opwarmen:

Als u geen problemen vindt via de bovenstaande controles, dient u het gas ongeveer 1/3 open te zetten en vervolgens de motor te starten.

Muchas gracias por comprar el soplador Makita. Nos complace recomendarle el uso del soplador Makita que es el resultado de un extenso programa de investigación desarrollado tras años de estudio y experiencia.

Los sopladores BHX2501 combinan las ventajas del diseño más avanzado con un diseño ergonómico. Son muy ligeros, manejables, compactos y suponen un material profesional para una amplia variedad de aplicaciones.

Por favor lea el folleto que hace referencia con detalle a los diversos puntos que demuestran su excelente funcionamiento. Esto le ayudará a obtener el mejor resultado posible de su soplador Makita.



Contenidos

	Página
SÍMBOLOS	92
INSTRUCCIONES DE SEGURIDAD	93
DECLARACIÓN CE DE CONFORMIDAD	96
ESPECIFICACIONES	96
DENOMINACIÓN DE PARTES	97
INSTRUCCIONES DE MONTAJE	98
ANTES DE EMPEZAR EL TRABAJO	99
OPERACIÓN	101
AJUSTE DEL RALENTÍ	102
PROCEDIMIENTO DE OPERACIÓN	103
INSPECCIÓN Y MANTENIMIENTO	105
ALMACENAMIENTO	107
INVESTIGACIÓN DE AVERÍAS	109

SÍMBOLOS

Es de gran importancia comprender los símbolos siguientes para la lectura de este manual de instrucciones.

	ADVERTENCIA/PELIGRO		Combustible (Gasolina)
	Lea, comprenda y siga el manual de instrucciones		Encendido manual del motor
	Prohibido		Paro de Emergencia
	No Fumar		Primeros Auxilios
	No acercar llamas		Reciclaje
	Deben utilizarse guantes protectores		Reciclaje
	Mantener el área de operación libre de personas y animales		ON/ENCENDIDO
	Llevar protección de ojos y oídos		OFF/APAGADO
	Mantenga a los espectadores de distancia		Mutilación del dedo o del brazo, álabe de la rueda móvil
			Marca CE

INSTRUCCIONES DE SEGURIDAD

Instrucciones generales

- Para asegurar un funcionamiento correcto y seguro, el usuario debe leer, comprender y seguir este manual de instrucciones para familiarizarse con el soplador (1). Los usuarios que no se informen suficientemente, ocasionarán un peligro a si mismos y a otros.
- Se recomienda prestar el soplador únicamente a gente que demuestre experiencia en el uso de sopladores.
- Entregue también siempre el manual de instrucciones.
- Los que utilizan la máquina por vez primera deben preguntar al vendedor las instrucciones básicas para familiarizarse con el manejo de un soplador motorizado.
- No se debe permitir el uso del soplador a niños y personas menores de 18 años. Las personas mayores de 16 años pueden, sin embargo, utilizar la máquina para aprendizaje únicamente, bajo supervisión directa de un monitor cualificado.
- Utilizar la máquina con el máximo cuidado y atención.
- Manejar el soplador sólo si se encuentra en buena condición física.
- Realizar el trabajo con calma y cuidadosamente. El usuario debe aceptar su responsabilidad con otras personas.
- Nunca utilizar el soplador después del consumo de alcohol o drogas (2).
- Nunca utilizar el soplador si se encuentra cansado.
- Conserve estas instrucciones para referencia futura.

Equipo personal de protección

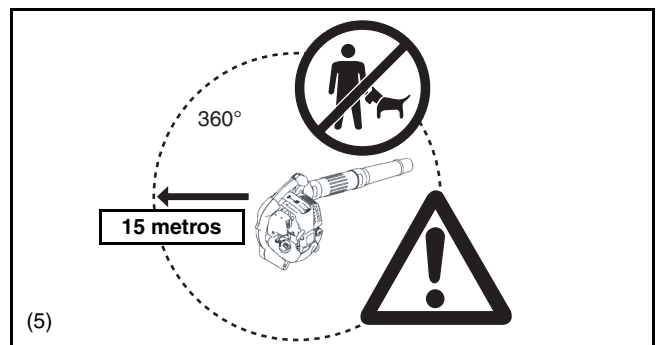
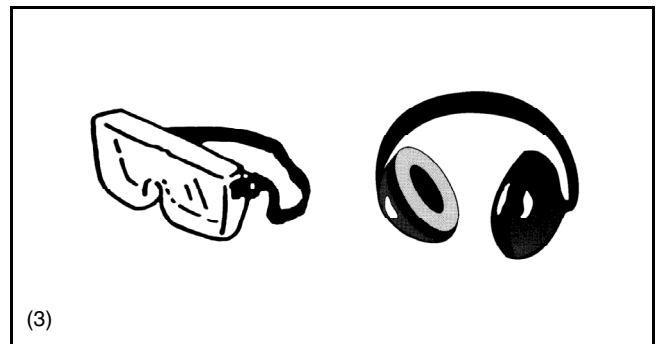
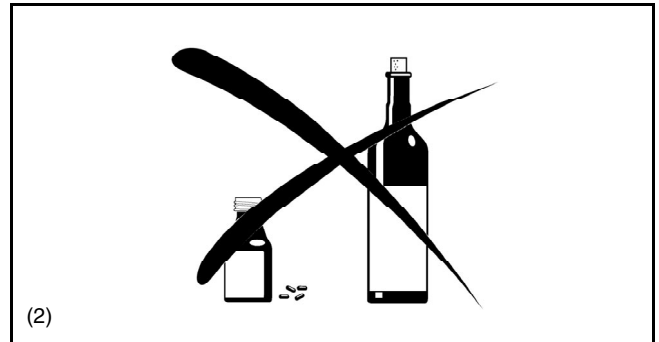
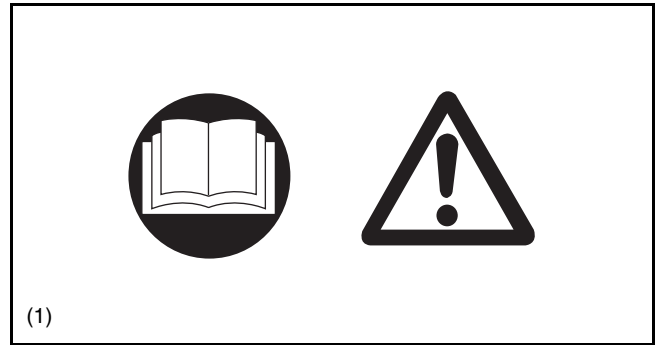
- La ropa utilizada debe ser funcional y adecuada. Por ejemplo, debe quedar ajustada, sin causar estorbo. No llevar joyas, ropa o pelos largos que pueden quedar atrapados con la entrada de aire de la máquina.
- Para evitar heridas en cabeza, ojos, manos, o pies, así como para proteger su oído, el siguiente equipo y ropa de protección debe usarse durante el uso del soplador.

Preste una atención especial a las siguientes medidas

- La ropa debe ser resistente y cómoda, pero debe permitir una completa libertad de movimientos. Evite las chaquetas holgadas, pantalones caídos o anchos en exceso, bufandas, pelo largo suelto o cualquier elemento que pueda introducirse en la entrada de aire. Utilice monos de trabajo y pantalones largos para proteger sus piernas. No llevar pantalones cortos (4).
- El ruido del soplador puede dañar su oído. Lleve protectores (tapones de oídos, auriculares etc) para proteger su oído. Los usuarios regulares deben comprobar el estado de su oído periódicamente (3).
- Se recomienda el uso de guantes cuando trabaje con el soplador. Un buen calzado es de gran importancia. Lleve calzado resistente con suela antideslizante (4).
- Una protección adecuada de la vista es obligatoria. Aunque la descarga no se dirija directamente al usuario, los rechazos y rebotes pueden ocurrir durante el manejo del soplador (3).
- Nunca utilizar el soplador sin llevar gafas o protectores adecuados para la vista con protección frontal y lateral que satisfagan la normativa ANSI Z 87.1 (o la aplicable en su País).

Encendido del soplador

- Asegurar que no hay niños u otras personas en un radio de 15 metros (5) también preste atención a cualquier animal en la proximidad del área de trabajo. No utilice el soplador ponce en áreas urbanas.
- Antes del funcionamiento, comprobar siempre que el soplador puede trabajar de forma segura. Compruebe la seguridad de la palanca de control. Debe comprobarse que la palanca de control se acciona suavemente y con facilidad. Comprobar que funciona el cierre de seguridad de esta palanca. Compruebe que el mango está limpio y seco y que el interruptor I-O funciona bien. Mantenga el mango limpio de aceite y combustible.



Arrancar el soplador sólo de acuerdo con las instrucciones.

¡ No utilizar cualquier otro método para arrancar el motor (6) !

- Utilizar el soplador y las herramientas suministradas sólo para las aplicaciones establecidas.
- Arrancar el soplador sólo después de completar el montaje de la máquina. Sólo se autoriza el funcionamiento de la máquina después de colocar todos los accesorios necesarios.

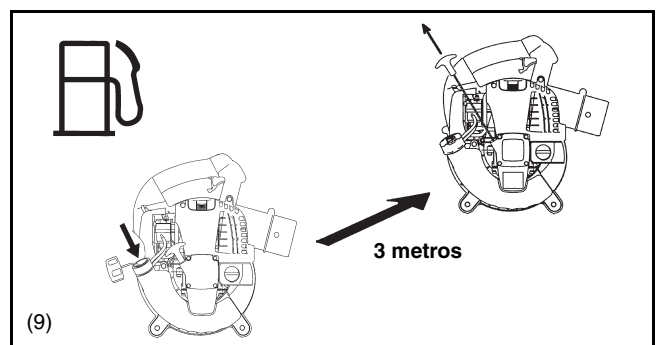
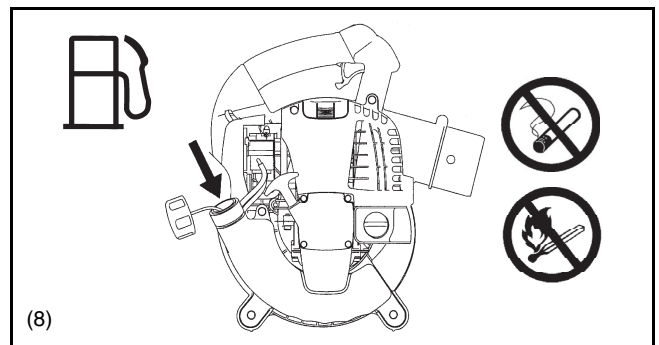
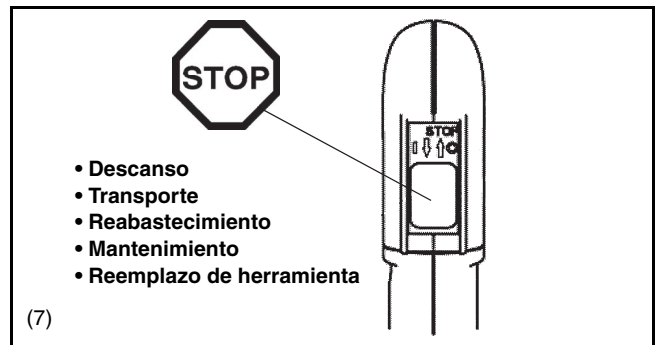
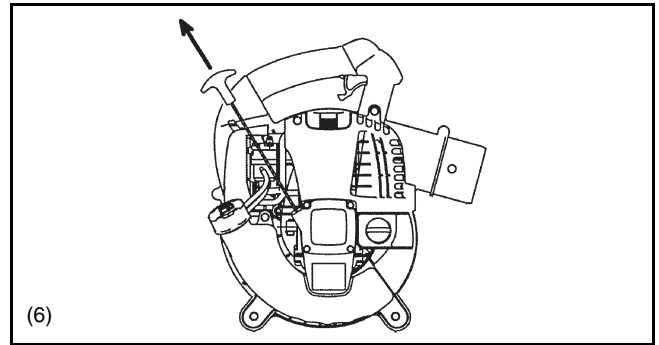
- El motor debe apagarse si se detecta cualquier problema de motor.
- Cuando se trabaje con el soplador, debe colocar sus dedos envolviendo el mango, manteniendo la palanca de control sujeta entre sus dedos pulgar e índice. Mantenga su mano en esta posición para tener la máquina bajo control en todo momento. Asegúrese que la palanca de control (y asidor para el accesorio del aspirador) están en perfectas condiciones y no tienen humedad, manchas de aceite, grasa o alquitrán.

Siempre llevar un calzado seguro y estable.

- Manejar el soplador de forma que se evite la inhalación de gases tóxicos de salida. Nunca encender el motor en habitaciones cerradas (riesgo de envenenamiento y sofoco). El monóxido de carbono es un gas inodoro. Siempre asegúrese que hay una ventilación adecuada.
- Apague el motor cuando descanse y cuando deje el soplador sin atender. Colóquelo en un lugar seguro para impedir daños a otras personas, causar incendios en materiales combustibles, o daños a la máquina.
- Nunca deje el soplador caliente reposando sobre hierba seca u otro material combustible.
- Todas las partes protectoras y cubiertas suministradas con la máquina deben utilizarse durante el funcionamiento.
- Nunca trabajar con un tubo de escape defectuoso.
- Apagar el motor durante el transporte (7).
- Colocar el soplador de forma segura durante su transporte en coche o camión para impedir que pierda combustible.
- Durante el transporte del soplador, asegúrese que el tanque de combustible esté completamente vacío.

Reabastecimiento

- Apagar el motor durante el reabastecimiento (7), mantenerse alejado de llamas (8), y no fume.
- Evite el contacto de los productos derivados del petróleo con su piel. No inhale en vapor del combustible. Siempre lleve guantes protectores durante el reabastecimiento. Cambie y limpie la ropa protectora en intervalos periódicos.
- Tome la precaución de no derramar combustible o aceite para impedir la contaminación del suelo (protección del medio ambiente). Limpie el soplador inmediatamente si se ha derramando combustible. Deje que las ropas húmedas se sequen bien antes de echarlas a un contenedor cubierto para prevenir la combustión instantánea.
- Evite el contacto del combustible con su ropa. Cambie su ropa inmediatamente si se ha vertido combustible (riesgo de incendio).
- Inspeccione la tapa de combustible periódicamente y asegúrese que queda firmemente sujeta.
- Apriete cuidadosamente el tornillo de cierre del tanque de combustible. Cambie de lugar para arrancar el motor (por lo menos a una distancia de 3 metros del lugar de reabastecimiento) (9).
- Nunca reponer combustible en habitaciones cerradas. Los vapores de combustible se acumulan al nivel del suelo (riesgo de explosión).
- Únicamente transporte y almacene el combustible en contenedores aprobados. Asegúrese que el combustible almacenado no queda al alcance de niños.
- No intente reponer combustible en un motor caliente o en marcha.



Método de funcionamiento

- Utilizar el soplador sólo cuando las condiciones de luz y visibilidad sean buenas. Durante las estaciones de frío, tome precauciones en áreas húmedas y resbaladizas, hielo y nieve (riesgo de caídas). Siempre utilice un calzado seguro.
- Nunca trabaje sobre superficies poco estables o terrenos con gran desnivel.
- Para reducir el riesgo de daños personales, no dirigir el chorro de aire hacia transeúntes, dado que la alta presión del aire puede herir los ojos y puede lanzar pequeños objetos a gran velocidad.
- Nunca inserte ningún objeto extraño en la entrada de aire ni en la salida del soplador. Se dañaría la hélice y puede causar un daño grave al operador o a transeúntes si el objeto o partes rotas salen rechazadas a gran velocidad.
- Prestar atención a la dirección del viento, es decir, no trabaje contra el viento.
- Para reducir el riesgo de volcar y perder el control, no camine hacia atrás mientras se trabaja con la máquina.
- Apague siempre el motor antes de limpiar o hacer el servicio a la máquina, o al cambiar partes de la misma.



Instrucciones de mantenimiento

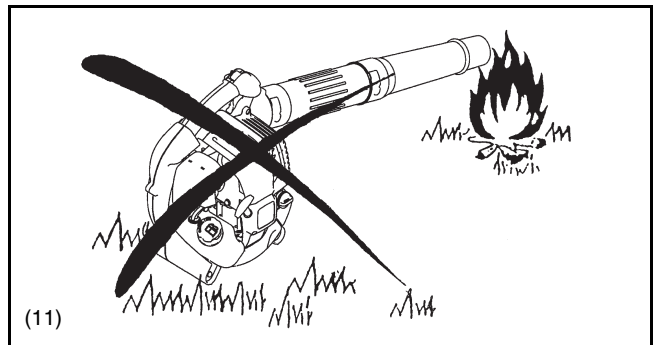
- Guarde respeto al medio ambiente. Trabaje con el soplador realizando el mínimo ruido y polución posibles. En particular, compruebe que el ajuste del carburador es el adecuado.
- Limpie el soplador periódicamente y compruebe que todos los tornillos y tuercas están firmemente apretados.
- Nunca efectuar el mantenimiento o almacenaje del soplador cerca de llamas, chispas, etc (11).
- Siempre almacene el soplador en una habitación cerrada y bien ventilada, y con el tanque de combustible vacío.

Observe y siga todas las instrucciones de prevención de accidentes aplicables, emitidas por asociaciones, sindicatos y compañías de seguros. No realice ninguna modificación en el soplador dado que esto pondría en riesgo su seguridad.

La realización del mantenimiento o reparaciones por parte del usuario se limita a las actividades que se describen en el manual de operaciones. Las operaciones restantes deben efectuarse por el Agente Autorizado de Servicio.

Utilice sólo piezas de recambio y accesorios suministrados por Makita.

La utilización de piezas no aprobadas conlleva un aumento en el riesgo de accidentes y daños. Makita no aceptaría ninguna responsabilidad por los accidentes o daños que sean causados por el uso de accesorios no aprobados.



Primeros auxilios

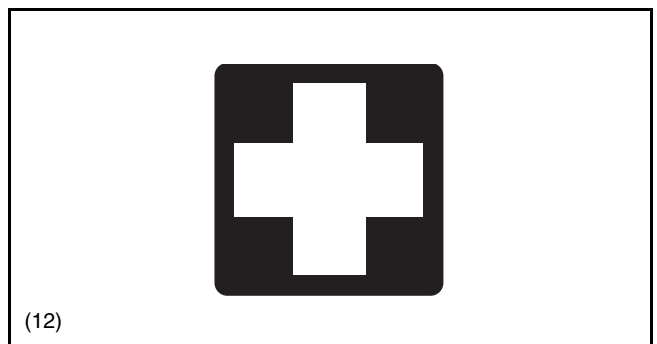
Para el caso de accidente asegúrese que un botiquín de primeros auxilios esté disponible cerca del lugar de trabajo. Reponer inmediatamente cualquier producto que se utilice del botiquín.

Cuando se pida ayuda, se debe proporcionar la siguiente información.

- Lugar del accidente
- Qué ha ocurrido
- Número de personas heridas
- Clase de heridas
- Su nombre

Embalaje

El soplador Makita se suministra en una caja protectora de cartón para impedir daños durante el transporte. El cartón es una materia prima básica y es por consiguiente reusable o apropiado para reciclar (reciclado de papel de desecho).



DECLARACIÓN CE DE CONFORMIDAD

Sólo para países europeos

La declaración CE de conformidad está incluida como Anexo A de este manual de instrucciones.

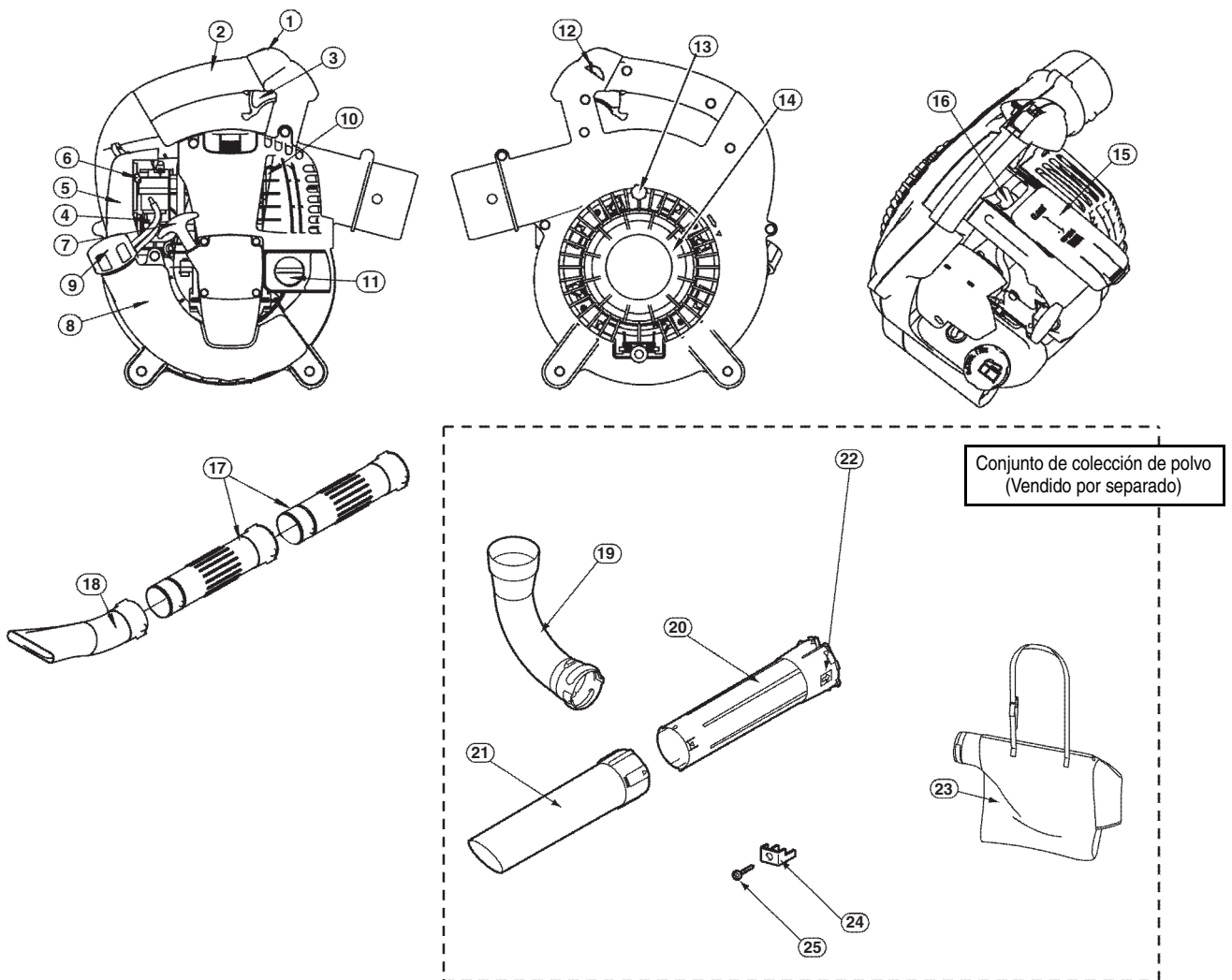
ESPECIFICACIONES

Modelo		BHX2501	BHX2501 con conjunto de colección de polvo	
Peso (sin tubos)	(kg)	4,5		
Dimensiones (sin tubos) (largo x ancho x alto)	(mm)	350 x 231 x 368		
Máxima velocidad de motor	(min ⁻¹)	7.800		
Ralentí	(min ⁻¹)	3.500		
Desplazamiento total	(mL)	24,5		
Combustible a usar		Gasolina para autos		
Volumen del tanque de combustible	(L)	0,52		
Aceite del motor		Aceite SAE 10W-30 de clasificación API, clase SF o superior (para motores de automóviles de 4 tiempos)		
Volumen del aceite de motor	(L)	0,08		
Carburador (diafragma)		WALBRO WYL		
Encendido		Encendido en estado sólido		
Bujías		NGK CMR6A		
Distancia entre electrodos	(mm)	0,7 - 0,8		
Vibración según ISO22867 (*Mano izquierda/Mano derecha)	$a_{hv\ eq}$	(m/s ²)	9,3	8,1/11,1*
	Incertidumbre K	(m/s ²)	0,5	0,5/1,3*
Nivel promedio de presión de ruido según ISO22868	$L_{PA\ eq}$	dB(A)	90,8	92,8
	Incertidumbre K	dB(A)	1,4	3,8
Nivel Promedio de potencia del ruido según ISO22868	$L_{WA\ eq}$	dB(A)	104,4	104,3
	Incertidumbre K	dB(A)	1,6	1,5

Nota:

1. Utilice el aceite y la bujía de alta tensión designados por Makita.
2. Las especificaciones se podrán modificar sin previo aviso.

DENOMINACIÓN DE PARTES



DENOMINACIÓN DE PARTES	DENOMINACIÓN DE PARTES	DENOMINACIÓN DE PARTES	DENOMINACIÓN DE PARTES
1. Interruptor de paro	8. Tanque de combustible / Mango de apoyo	15. Tapa de la bujía	22. Marca de flecha
2. Mango principal	9. Tapón de tanque de combustible	16. Bujía de alta tensión	23. Saco de polvo
3. Palanca de disparo	10. Silenciador	17. Tubo del soplador	24. Ménsula
4. Bomba de cedado	11. Tapón de aceite	18. Boquilla del soplador	25. Tornillo
5. Tapa de filtro de aire	12. Botón de bloqueo del acelerador	19. Codo	
6. Palanca de choque	13. Tornillo	20. Tubo de Aspirador A	
7. Mango de arrancador	14. Protector	21. Tubo de Aspirador B	

INSTRUCCIONES DE MONTAJE



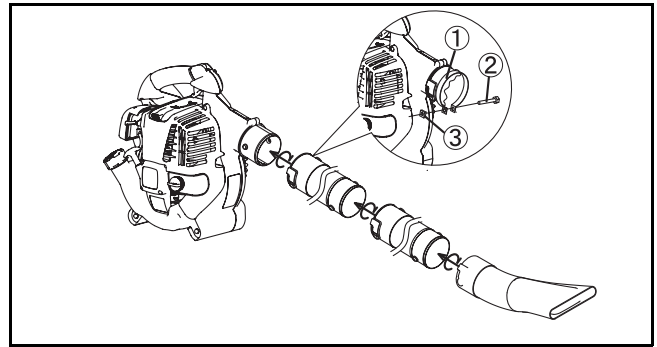
PRECAUCIÓN : Antes de efectuar cualquier trabajo en el soplador, siempre detener el motor y separar los conectores de la bujía.

Siempre llevar guantes protectores.

PRECAUCIÓN : Arrancar el soplador sólo después de ensamblarlo completamente.

1. ENSAMBLAJE DE LOS TUBOS DEL SOPLADOR

- 1) Alinear las ranuras del tubo del soplador con las tetillas de la carcasa del motor e introducir el tubo.
- 2) Girar el tubo en dirección de las agujas del reloj y sujetar firmemente.
- 3) Coloque la abrazadera ① alrededor de la abertura del tubo soplador. Apriete firmemente con el perno ② y la tuerca ③.



2. ENSAMBLAJE DEL ACCESORIO ASPIRADOR

1) Instalación del tubo del aspirador (boquilla)

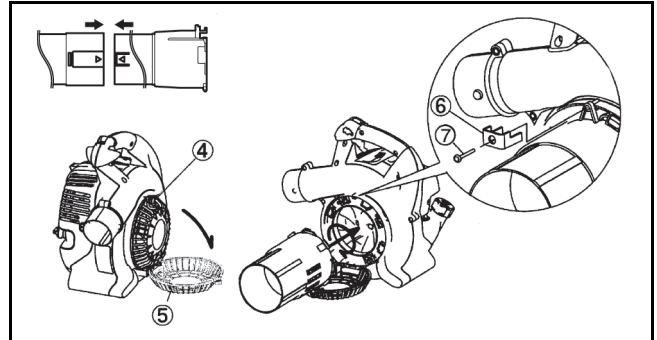
- (1) Aflojar el tornillo ④ y abrir el protector ⑤.



¡ADVERTENCIA!

Al emplear el soplador para una operación de soplado, cierre siempre el protector ⑤ y apriete el tornillo ④ antes de empezar el trabajo. En caso contrario, la rueda móvil desprotegida podrá atrapar su ropa o su cuerpo y provocar un accidente serio.

Siempre debe utilizar los tubos de aspirador A y B juntos. Si no lo hace, el contacto con la rueda móvil podrá provocar un accidente serio cuando el operario intente retirar desechos atascados en el tubo.



- (2) Alinee la marca “▲” en los tubos de aspirador A y B. Inserte el tubo de aspirador A en el tubo de aspirador B hasta que los tres enganches encajen con un chasquido.
- (3) Alinee la flecha marcada sobre el tubo de aspirador A con el “●” marcado en el soplador. Entonces inserte el tubo de aspirador en el soplador.
- (4) Gire el tubo de aspirador hasta que se alinee con “▼” marcado en el soplador para sujetar el tubo de aspirador.
- (5) Apriete firmemente el tubo de aspirador en el soplador con el tornillo ⑦ y la ménsula ⑥. No apriete el tornillo demasiado para evitar que se rompa alguna pieza.

Precaución: No realice la operación de apriete en (5) de arriba si el soplador va a ser utilizado en un país o región donde la marca CE no es aplicable.

Nota: El motor no se pondrá en marcha a menos que el tubo de aspirador esté completamente montado.

2) Instalación del codo y saco de polvo

- (1) Abra la cremallera del saco.
- (2) Inserte el lado con riel del codo en el saco de polvo y sáquelo a través de la entrada del saco.
- (3) Sujete el codo con el fijador de gancho-y-lazo alrededor del lugar indicado en la figura.

PRECAUCIÓN

Instale el saco de polvo alejado del lado con riel del codo. Si se pone el saco de polvo cerca del motor, el gas de escape puede abrasar el saco de polvo.

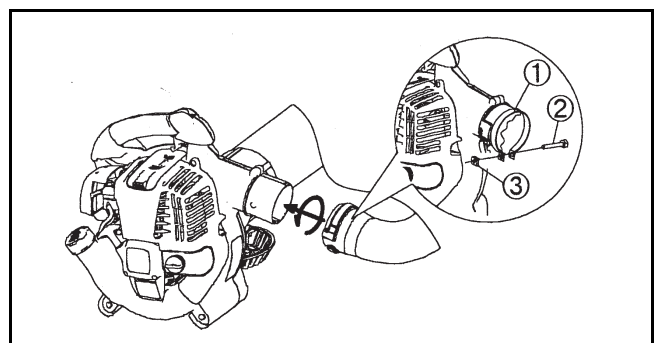
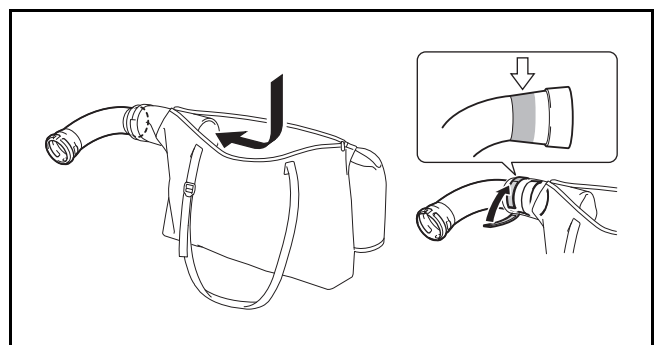
- (4) Instale el codo en el soplador.
- (5) Coloque la abrazadera ① alrededor de la abertura del codo. Apriete firmemente con el perno ② y la tuerca ③.

Precaución: No realice la operación de apriete en (5) de arriba si el soplador va a ser utilizado en un país o región donde la marca CE no es aplicable.



¡ADVERTENCIA!

No intente recoger grandes virutas de madera, metal, vidrio, piedras, líquidos, cigarrillos encendidos, productos pirotécnicos o similares.



ANTES DE EMPEZAR EL TRABAJO

1. Inspección y reabastecimiento de aceite de motor

(1) Realice el procedimiento siguiente cuando el motor esté frío.

Asegúrese de que el motor está sobre una superficie horizontal como se muestra en la Figura 1.

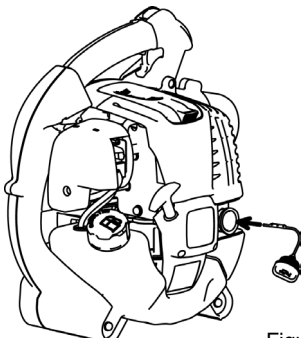
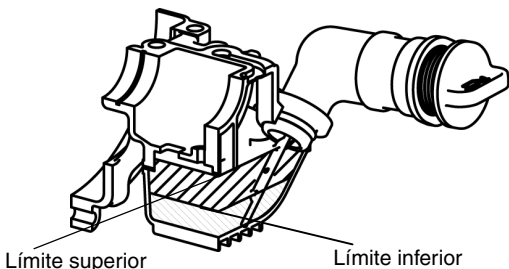
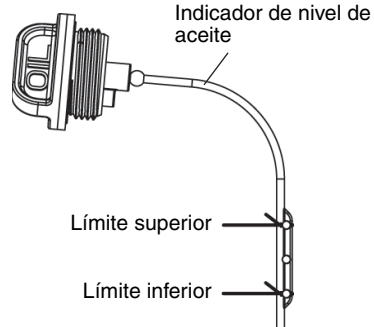
- **Inspección:** Quite el tapón de aceite. Limpie el indicador de nivel de aceite. Vuelva a instalar el tapón de aceite (Figura 2) y sáquelo. Confirme que el aceite está entre el límite inferior o superior del indicador de aceite.
- **Relleno:** Después de hacer la inspección si el aceite está por debajo del límite inferior, añada aceite a través de la misma abertura que fue quitado el tapón de aceite. Consulte la Figura 4 sobre cómo orientar el motor para rellenar el aceite.

(2) Es posible que necesite rellenar aceite aproximadamente cada 10 horas de uso (cada 10 reabastecimientos de combustible).

(3) Si el aceite ha cambiado de color o tiene impurezas, reemplácelo. (Para el intervalo y método de reemplazo, consulte la página 105)

Aceite recomendado: SAE 10W-30 de clasificación API, clase SF o superior (para motores de automóviles de 4 tiempos)

Volumen de aceite: 0,08L aproximadamente. (2,7 fl. oz)

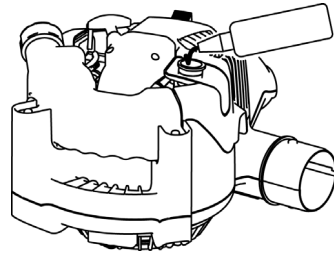
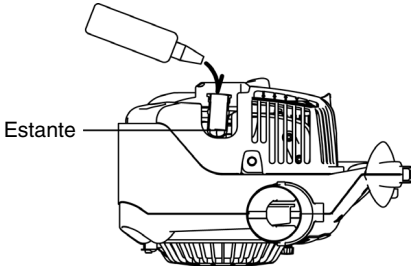
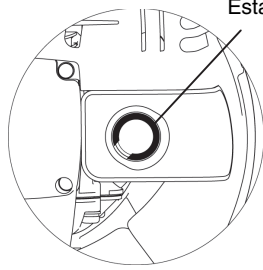
Método de la inspección de aceite de motor		
 <p>Figura 1</p>	 <p>Límite superior Límite inferior</p> <p>Figura 2</p>	 <p>Indicador de nivel de aceite</p> <p>Límite superior</p> <p>Límite inferior</p> <p>Figura 3</p>

NOTA

- Si el motor no está en una posición como la mostrada en la Figura 1 sobre una superficie horizontal, la indicación del nivel de aceite podrá no ser correcta.
- Si el aceite está reabastecido más del límite, el aceite puede ensuciarse o prender fuego con humo blanco.

Reemplazo de la "bayoneta de aceite" del aceite

- Elimine el polvo y la suciedad de los alrededores del orificio de reabastecimiento y saque la bayoneta de nivel de aceite.
- No ensucie la bayoneta de nivel con arena o polvo. Si lo hace, la arena y el polvo que se han adherido a la bayoneta de nivel causarán una circulación irregular del aceite y se desgastarán las piezas del motor, lo que causará problemas de funcionamiento.
- Una manera de conservar la bayoneta limpia es insertarla por su asa en la cubierta del motor.

 <p>Figura 4</p>	 <p>Estante</p> <p>Figura 5</p>	 <p>Estante</p> <p>Figura 6</p>
---	--	--

Después de rellenar aceite

- Limpie con un trapo el aceite vertido.

2. Abastecimiento de combustible

ADVERTENCIA

- Cuando reabastezca combustible a la unidad, asegúrese de observar las instrucciones siguientes para evitar una ignición o incendio:
 - El suministro de combustible deberá ser realizado en un lugar donde no haya fuego. No lleve nunca el fuego (fumar, etc.) cerca del lugar donde realiza el suministro de combustible.
 - Pare el motor y déjelo enfriar antes de realizar el reabastecimiento.
 - Abra el tapón del tanque de combustible despacio. Es posible que el combustible se derrame si hay presión interna.
 - Tenga cuidado para no derramar el combustible. Cualquier combustible vertido deberá ser limpiado.
 - Efectúe el abastecimiento en un lugar con ventilación adecuada.
- Tenga buen cuidado con el manejo de combustible.
 - El combustible pegado al piel o metido en los ojos podrá causar alergia o inflamación. En caso que tenga alguna anomalía en el cuerpo, consulte con un médico especializado inmediatamente.
- NO ponga aceite en el tanque de combustible.

PERÍODO DE ALMACENAMIENTO DEL COMBUSTIBLE

El combustible debe utilizarse dentro de un período de 4 semanas, incluso cuando se almacene en un recipiente especial en un área sombreada y bien ventilada.

Cuando no se utilice un recipiente especial o si éste no está cubierto, el combustible puede deteriorarse en un día.

Almacenaje de la máquina y del tanque de reabastecimiento

- Conservar la máquina y el tanque en lugar fresco libre de luz solar directa.
- No deje nunca combustible en un automóvil.

COMBUSTIBLE

El motor es de cuatro tiempos. Asegúrese de utilizar gasolina normal o especial para automóviles.

Puntos relacionados con el combustible

- Nunca use gasolina mezclada con aceite de motor. Si lo hace se producirá una excesiva acumulación de carbonilla u ocurrirán problemas mecánicos.
- El uso de un combustible deteriorado puede producir irregularidades en el arranque.

Cuando reabastezca combustible, asegúrese de parar el motor y confirmar que el motor está frío.

MÉTODO DE REABASTECIMIENTO DE COMBUSTIBLE

- Afloje el tapón del tanque un poco para liberar la presión del tanque.
- Quite el tapón del tanque, y reabastezca combustible al tiempo que deja salir el aire inclinando el tanque de combustible de manera que el orificio de reabastecimiento quede orientado hacia arriba.
(NO llene nunca el tanque de combustible hasta rebosar.)
- Después de reabastecer combustible, apriete el tapón del tanque firmemente.
- Si hay algún defecto o daño en el tapón del tanque, reemplácelo.
- El tapón del tanque se estropea con el paso del tiempo. Reemplácelo cada dos o tres años.
- NO ponga combustible en el orificio de llenado de aceite.

OPERACIÓN



1. Modo de arranque

⚠ ADVERTENCIA

- No deje arrancar el motor en el lugar donde se ha abastecido el combustible.
 - Podrá causar ignición o incendio. Cuando arranque el motor, manténgase a una distancia de al menos 3 metros.
- El gas de escape del motor es tóxico. No arranque el motor en un lugar sin ventilación adecuada tales como en el interior, túnel, etc.
 - Utilizar en un lugar sin ventilación adecuada podrá causar efecto tóxico del gas de escape.
- Una vez arrancado, si se siente anormal en sonido, olor, vibración, etc., detenga inmediatamente el motor y proceda a inspeccionarlo.
 - Seguir utilizándolo sin parar podrá causar un accidente.
- Compruebe que el motor parará cuando el interruptor de paro está en la posición "O".

1) Cuando el motor esté frío o después de reabastecer combustible

- (1) Coloque la máquina sobre una superficie plana.
- (2) Coloque el interruptor de paro en la posición "I" (Figura 1).
- (3) Continúe empujando la bomba de cedado hasta que entre combustible en la misma (Figura 2).
 - En general, el combustible entra en la carburador después de empujar de 7 a 10 veces.
 - Si la bomba de cedado se empuja excesivamente, un exceso de la gasolina vuelve al tanque de combustible.
- (4) Levante la palanca del choque hasta la posición cerrada (Figura 3).
- (5) Sujete el mango principal con la mano izquierda para evitar que el motor se mueva.
- (6) Tire suavemente del mango de arrancador hasta que se sienta una resistencia (punto de compresión). Luego, retorne el mango de arrancador y tire con fuerza (Figure 4).
 - Nunca tire hasta el límite del cordón.
 - Cuando se tire del mango de arrancador, no la suelte inmediatamente. Sujete el mango de arrancador hasta que vuelva a su posición original.
- (7) Abra la palanca de choque después de que el motor haya arrancado (Figura 5).
 - Abra la palanca de choque progresivamente al tiempo que comprueba el funcionamiento del motor. Asegúrese de abrir la palanca de choque plenamente al final.
 - En tiempo frío o cuando el motor está frío, nunca abra súbitamente la palanca de choque. De hacerlo, el motor puede pararse.
- (8) Deje que el motor se caliente durante 2 ó 3 minutos.
- (9) El calentamiento se habrá completado cuando se produzca una aceleración rápida del motor desde pocas rpm hasta todo gas.

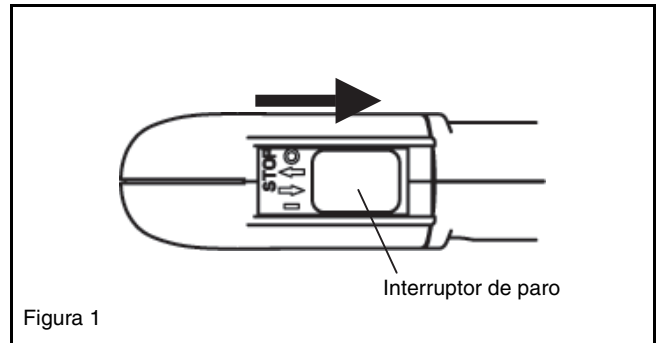


Figura 1

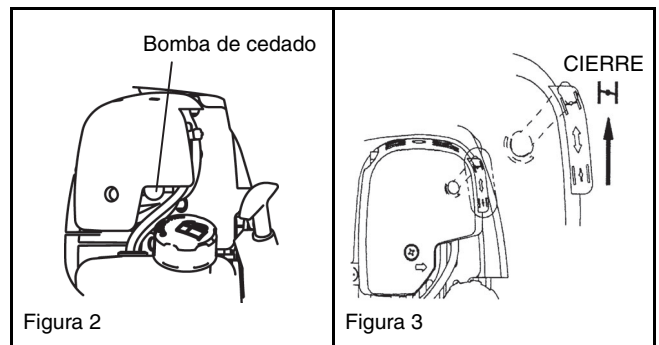


Figura 2

Figura 3

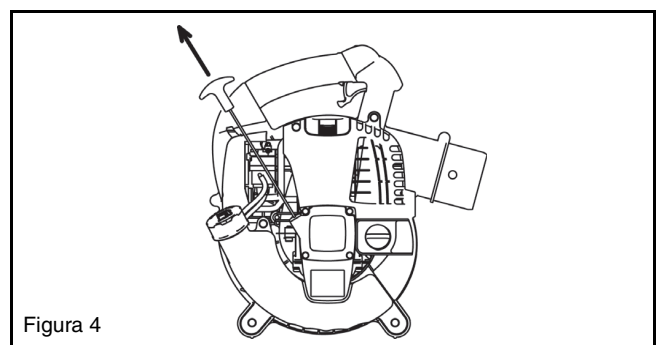


Figura 4

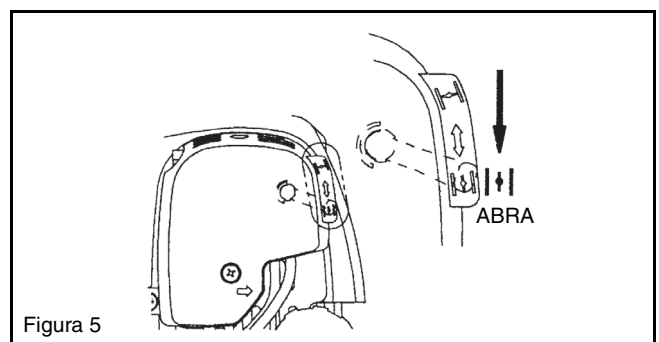


Figura 5

NOTA

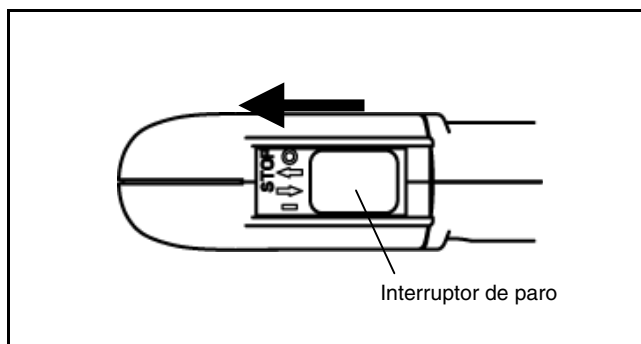
- La palanca de choque, si se levanta más encima de la posición "CLOSE", el motor podrá dañarse.
- Si el motor detona y se para, vuelva a poner esta palanca en la posición "OPEN" y tire del mango de arrancador varias veces para arrancar el motor otra vez.
- Si el operario sigue tirando del mango de arrancador varias veces estando la palanca del estrangulador en la posición "CLOSE", es posible que resulte difícil arrancar el motor debido a una anegación de combustible.
- En el caso de una alegación de combustible, quite la bujía y tire del mango varias veces rápidamente para descargar cualquier exceso de combustible. Seque el electrodo de la bujía.
- En caso de que la válvula de mariposa no vuelva hasta que toque el tornillo ajustador de marcha lenta aunque la palanca de admisión de los gases funcione a la velocidad baja, ajuste el enganche del cable de control para que vuelva.

2) Cuando está caliente el motor

- (1) Coloque la máquina sobre el suelo plano.
- (2) Empuje unas veces la bomba de cebado.
- (3) Asegúrese que la palanca de choque está abierta.
- (4) Sujete el mango principal con la mano izquierda para evitar que el motor se mueva.
- (5) Saque lentamente el mango de arrancador hasta que sienta cierta resistencia. Entonces, vuelva una vez el mango de arranque y tire fuertemente.
- (6) En caso de que sea difícil el arranque del motor, proceda a arrancarlo con la válvula mariposa abierta por 1/3 aproximadamente.

2. Modo de parar

Suelte la palanca de disparo para reducir la velocidad del motor y ajuste el interruptor de paro en la posición "O".
(Suelte el bloqueo de la palanca del acelerador si está bloqueando la palanca de disparo en la posición totalmente abierta.)



AJUSTE DEL RALENTÍ



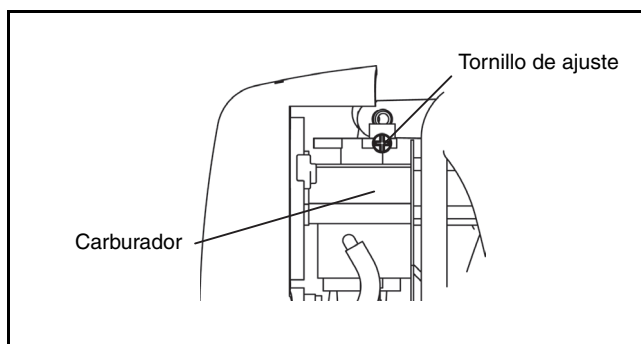
⚠ PELIGRO

El carburador se ajusta en fábrica. Le rogamos que no haga ningún otro ajuste que el de ralentí. Si fuera necesario reajustarlo, póngase en contacto con su distribuidor o un Agente de Servicio Autorizado.

Comprobación del giro a baja velocidad

Ajuste el giro a baja velocidad a 3.500 rpm (min^{-1}).

- Si fuera necesario cambiar la velocidad de giro, regule el tornillo de ajuste usando un destornillador Philips.
- Gire el tornillo de ajuste hacia la derecha, y aumentará la velocidad el motor. Gire el tornillo de ajuste hacia la izquierda, y disminuirá la velocidad el motor.



Prevención contra la congelación del carburador

AVISO

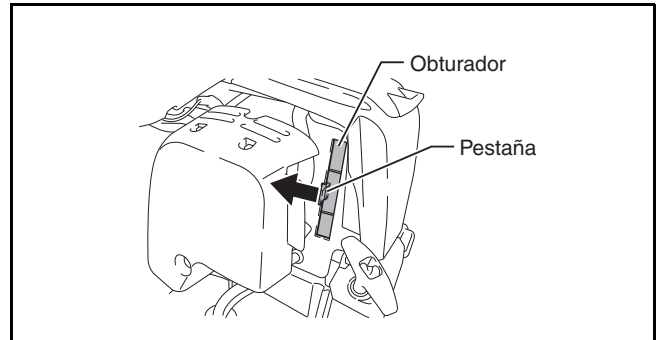
Cuando la temperatura ambiente sea más alta de 10°C, cierre siempre el obturador (ajuste normal).
De lo contrario el motor podrá dañarse por recalentamiento.

Cuando la temperatura ambiente sea baja y la humedad sea alta, podrá congelarse vapor de agua dentro del carburador y el motor funcionará inestablemente (congelación del carburador).

Cambie el ajuste del obturador de la forma siguiente según sea necesario.

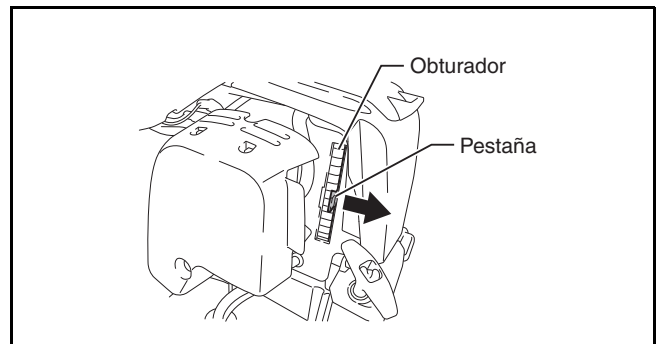
• Ambiente más cálido de 10°C

Sujete la pestaña del obturador y deslícela hacia la izquierda (posición cerrada).



• Ambiente de 10°C o más frío

Sujete la pestaña del obturador y deslícela hacia la derecha (posición abierta).

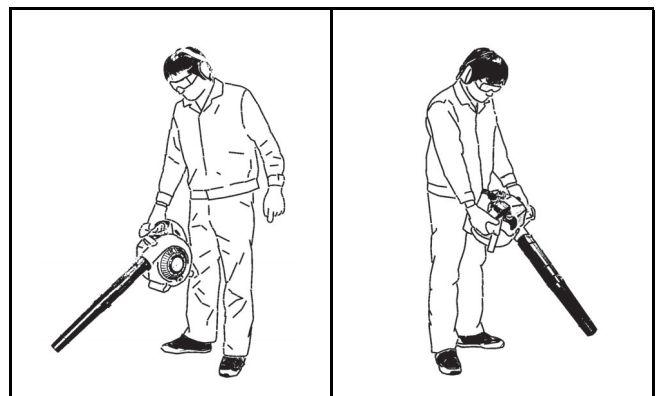


PROCEDIMIENTO DE OPERACIÓN



1. Operación del soplador

- Sujete bien el soplador durante la operación.
- Dirija la punta de la boquilla hacia un objeto a soplar y tire la palanca de disparo.
- Apriete completamente la palanca de disparo, mantenga presionado el botón de bloqueo del acelerador y suelte el dedo de la palanca de disparo cuando esté acelerado completamente.
- Vuelva a tirar de la palanca de disparo para liberar el bloqueo del acelerador.
- Puesto que la parte inferior del tanque de combustible es el mango de apoyo, puede manejar con dos manos. En este caso, debe agarrar el mango de apoyo con la mano derecha.



2. Operación de colección de polvo

ADVERTENCIA

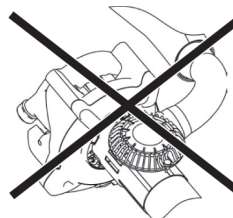
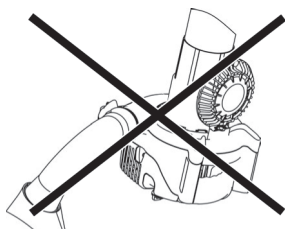
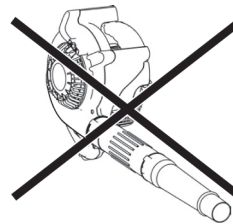
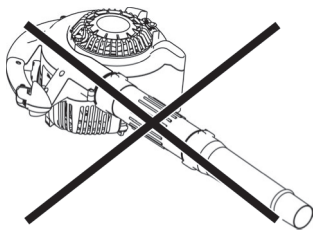
- No deje aspirar aceite combustible, gasolina, cigarrillo encendido, etc.
 - Podrá causar incendios.
- No deje aspirar piezas de madera grandes, metal, cristal, piedras u otros materiales extraños.
 - Podrá causar averías.
- Un saco de polvo demasiado lleno podrá rebosar y verterse hacia el lado del motor. Vacíe el saco antes de que se llene completamente.
 - Podrá causar incendios.

- Cuelgue la cinta del saco de polvo en el hombro y ajuste el largo de la cinta para que se facilite la operación.
- Asegúrese que el saco de polvo no está torcido y proceda la operación de colección de polvo tirando la palanca de disparo.
- Cuando el saco de polvo esté lleno, quítelo de la máquina y abra la cremallera para vaciarlo.



NOTA

Si utiliza la máquina con el protector orientado hacia arriba o el mango principal hacia abajo, podrá aparecer humo blanco, el aceite podrá contaminarse o el aceite podrá derramarse.





⚠ PELIGRO

- Antes de efectuar la inspección y mantenimiento, detenga el motor y efectúe la operación después de que se haya enfriado el motor. Quite la bujía y el tapón de la bujía.
 - La operación que se efectúa inmediatamente después de que pare el motor o la operación con el tapón de la bujía puesto podrá causar un accidente por quemadura o por el arranque imprevisto.
- Después de terminar la inspección y mantenimiento, compruebe que todas las piezas estén instaladas antes de empezar la operación.

1. Cambio del aceite del motor

El aceite del motor que se ha deteriorado acortará sustancialmente la duración de las piezas deslizantes y giratorias. Asegúrese de comprobar el período de recambio y la calidad del aceite.

⚠ PELIGRO

- En general, el motor y el aceite siguen calientes después de pararse el motor. Cuando cambie el aceite, confirme que el motor y el aceite se han enfriado. Si no lo hace puede quemarse. Deje pasar tiempo suficiente después de parar el motor para que el aceite del motor vuelva al tanque de aceite con objeto de asegurar una lectura precisa del indicador de nivel de aceite.
- Si el aceite es suministrado más del límite, puede ensuciarse o puede prender fuego con humo blanco.

Intervalo de recambio: Después de las primeras 20 horas de funcionamiento y posteriormente cada 50 horas de funcionamiento.

Aceite recomendado: SAE10W-30 de clasificación API, clase SF o superior (para motores de automóviles de 4 tiempos)

Haga lo siguiente durante el recambio del aceite.

- (1) Confirme que el tapón del tanque está apretado firmemente.
- (2) Saque el tapón de aceite.
 - No manche la bayoneta con suciedad o polvo.
- (3) Incline la máquina en orden como se muestra en la Figura 1.
 - El aceite se recibirá en un recipiente.
- (4) Oriente la máquina como se muestra en la Figura 2 y rellene aceite hasta el estante dentro del tubo de aceite.
- (5) Después de rellenar el aceite, apriete firmemente la bayoneta de nivel. Un apriete insuficiente de la bayoneta puede causar fugas de aceite.

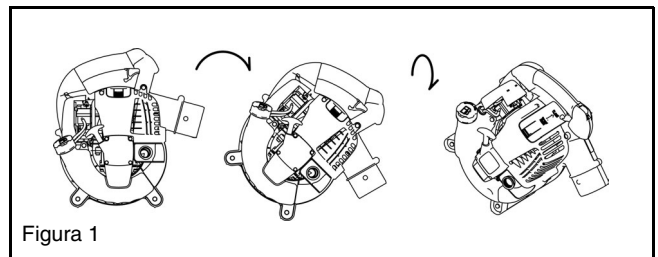


Figura 1

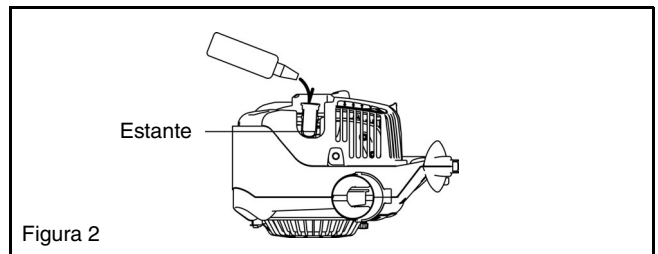


Figura 2

Puntos relacionados con el aceite

- Nunca tire el aceite de motor usado a la basura, sobre la tierra o a un canal de aguas residuales. El desecho del aceite del motor está regulado por la ley. Siga siempre las leyes y regulaciones pertinentes cuando lo deseché. Para una información más detallada, póngase en contacto con un Agente de Servicio Autorizado.
- El aceite se deteriora aunque no se use. Realice inspecciones y cambie el aceite regularmente (cambie el aceite cada 6 meses).

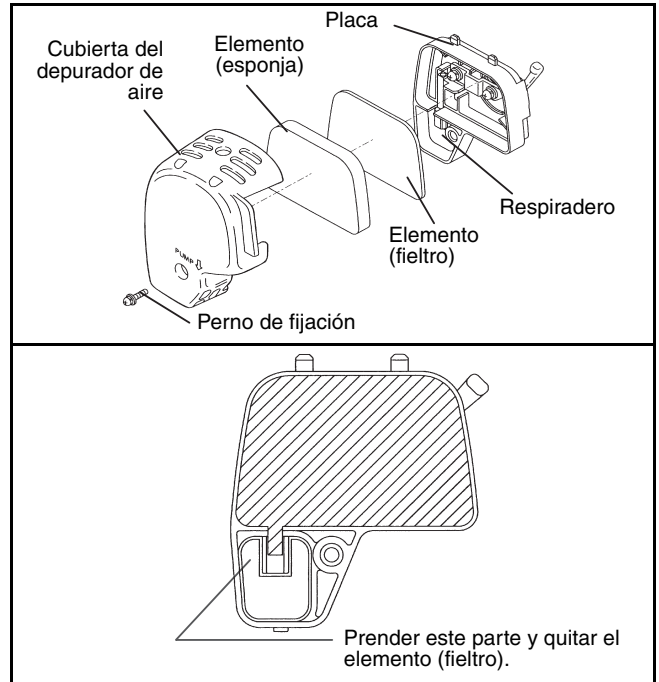
2. Limpieza del depurador de aire



ADVERTENCIA: LOS MATERIALES INFLAMABLES ESTÁN EstrictAMENTE PROHIBIDOS

Intervalo de limpieza e inspección: diariamente (cada 10 horas de funcionamiento)

- (1) Quite los pernos de fijación de la cubierta del depurador de aire.
- (2) Tire del lado inferior de la cubierta y suéltela.
- (3) Gire la palanca de choque a la posición de cierre total y no permita que entre polvo o suciedad en el carburador.
- (4) Si el aceite se adhiere al elemento (esponja), exprímala fuertemente.
- (5) Para contaminación fuerte:
 - Quite el elemento (esponja), sumérjalo en agua templada o en detergente neutro diluido en agua, y séquelo completamente.
 - Limpie el elemento (fieltro) con gasolina, y secarlo completamente.
- (6) Antes de colocar el elemento, secarlo completamente. Si el elemento no se seca completamente, el motor no puede arrancar sin contratiempo.
- (7) Secar con tejido usado el aceite adherente en la tapa del filtro de aire y el respiradero de placa.
- (8) Inmediatamente después de terminar la limpieza, instale la cubierta del depurador y apriétela con los pernos de fijación (coloque primero la garrá superior y luego la inferior).

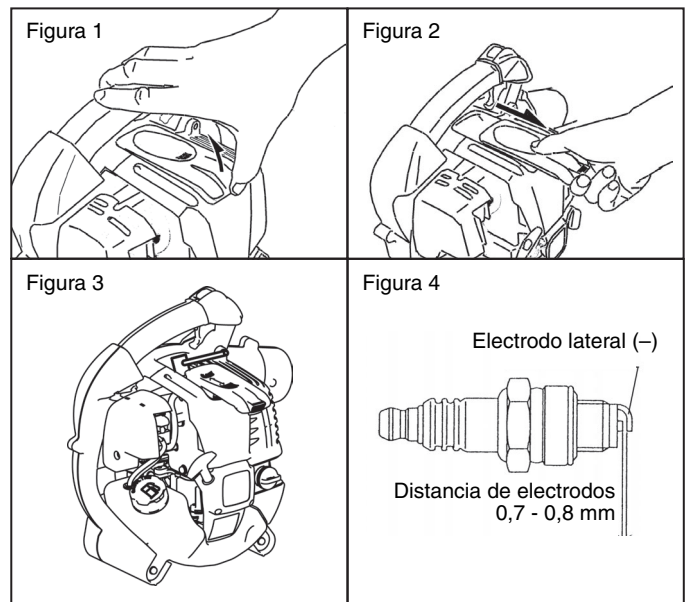


⚠ PELIGRO

- Limpiar el elemento varias veces a diario si hay polvos adherentes en exceso.
- Si la marcha continua con el elemento adherente del aceite, el aceite en el filtro de aire puede caerse fuera, provocando contaminación del aceite.

3. Inspección de la bujía de alta tensión

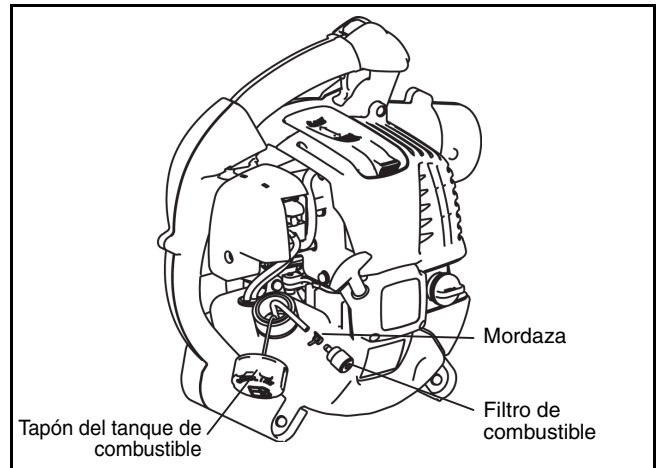
- (1) Abrir y cerrar la tapa de la bujía de alta tensión
 Cuando vaya a abrir la tapa, ponga los dedos en el mango principal y en la parte saliente de la tapa de la bujía (Figura 1). Estire la parte saliente hacia arriba, la cual se dejará deslizar hacia la dirección de "OPEN" (Figura 2). Para cerrarla, deje deslizarla hacia la dirección de "CLOSE" hasta que la uña colocada bajo de la parte saliente de la tapa de la bujía se ponga encima de la tapa del motor. Finalmente, presione hacia dentro la proyección.
- (2) Quitar la bujía de alta tensión
 Para quitar y montar la bujía de alta tensión utilice la llave de rosca adjunta (Figura 3).
- (3) Inspección de la bujía de alta tensión
 La distancia entre dos electrodos es 0,7 - 0,8 mm (Figura 4). En caso de que esta distancia sea demasiado grande o demasiado pequeña, ajuste para que tenga la distancia adecuada.
 En caso de que la bujía de alta tensión lleve el carbón acumulado o se encuentre sucia, debe limpiarse completamente o reemplazarse.
- (4) Reemplazar la bujía de alta tensión
 Para reemplazarla, utilice NGK-CMR6A.



4. Limpieza del filtro de combustible

- Cuando el filtro de combustible está atascado, el arranque podrá ser difícil o la velocidad del motor no podrá aumentarse.
- Compruebe el filtro de combustible según las siguientes instrucciones periódicamente.

- (1) Quite el tapón del tanque de combustible y saque el combustible para que quede sin combustible. En este momento, compruebe que no queda ningún material extraño en el tanque de combustible. Si queda, sáquelo completamente.
- (2) Saque el filtro de combustible utilizando un alambre a través del puerto de llenado de combustible.
- (3) En caso de que la superficie del filtro de combustible esté sucia, quite la suciedad con gasolina. La gasolina utilizada para la limpieza deberá ser desechada de acuerdo con el método designado por cada municipio. Si el filtro está muy contaminado deberá reemplazarse.
- (4) Vuelva el filtro de combustible en el tanque de combustible y apriete bien el tapón del tanque de combustible. Pida el reemplazo del filtro de combustible a un distribuidor o a un taller de mantenimiento.



5. Inspección de pernos, tuercas y tornillos

- Reapriete los pernos, tuercas, etc. que estén flojos.
- Compruebe si hay fugas de combustible o aceite.
- En aras de la seguridad de manejo, cambie las piezas dañadas por nuevas.

6. Limpieza de piezas

- Mantenga el motor limpio limpiándolo con un paño de limpieza.
- Mantenga las aletas del cilindro siempre limpias de polvo o suciedad. El polvo y la suciedad adherida a estas aletas causarán el agarrotamiento del motor.

7. Cambio de juntas y retenes

Reemplace las juntas y retenes si desensambla el motor.

Cualquier trabajo de mantenimiento o ajuste que no se incluya en este manual debe ser realizado solamente por un Agente de Servicio Autorizado.

ALMACENAMIENTO

⚠ ADVERTENCIA

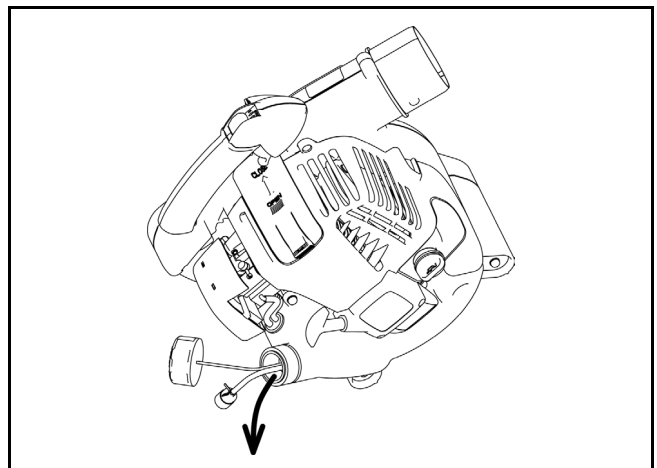
- Durante descarga del combustible, es necesario parar el motor y asegurarse de que el motor se haga frío completamente.
 - En caso contrario podrán producirse quemaduras o un incendio.

⚠ PELIGRO

- Cuando almacene la máquina durante largo tiempo, drene todo el combustible del tanque de combustible y carburador, y manténgala en un sitio seco y limpio.

Descargar completamente el combustible del tanque de combustible y del carburador según el procedimiento siguiente :

- (1) Quitar la tapa del tanque de combustible, y descargar el combustible completamente. Si haya algún material extraño en el tanque de combustible, quitarlo completamente.
- (2) Sacar el filtro del combustible desde el orificio de reabastecimiento usando el alambre.
- (3) Empujar la bomba de cedado hasta que el combustible sea descargado de allí, y descargar el combustible entrante en el tanque de combustible.
- (4) Ajustar el filtro en el tanque de combustible y apretar firmemente la tapa del tanque de combustible.
- (5) Entonces, continuar haciendo marchar el motor hasta que el motor se pare.
- (6) Quitar la bujía, y hacer caer de gotas de aceite para motor a través del agujero de la bujía.
- (7) Tirar tranquilamente el mango de arrancador de modo que el aceite del motor extienda en el motor, y colocar la bujía.
- (8) Mantenga la máquina con su mango hacia arriba.
- (9) Conservar el aceite descargado en el recipiente especial a la sombra bien ventilada.



Localización de averías

Avería	Sistema	Observaciones	Causas
El motor no arranca o lo hace con dificultades	Encendido	Hay chispa de encendido	Fallo en suministro de combustible o sistema de compresión Defecto mecánico
		No hay chispa	Interruptor de paro conectado, fallo del cableado o cortocircuito, bujía o conector defectuosos, fallo en el módulo de encendido
	Abastecimiento de combustible	Tanque lleno	Posición incorrecta del estrangulador, carburador defectuoso, línea de suministro de combustible doblada o interrumpida
	Compresión	No compresión cuando lo tire	Junta inferior del cigüeñal defectuosa, sellos del cárter dañados, segmentos del cilindro o pistón defectuosos o sellado incorrecto de la bujía.
Problemas de arranque en caliente	Fallo mecánico	El arrancador no funciona	El muelle del arrancador está roto. Partes rotas en el interior del motor
		Tanque lleno hay chispa de encendido	Carburador contaminado, hay que limpiarlo
El motor arranca y se para inmediatamente	Abastecimiento de combustible	Tanque lleno	Ajuste en vacío incorrecto o el carburador están contaminados La ventilación del tanque falla, la línea de suministro de combustible está interrumpida. El interruptor o el cable STOP fallan.
Rendimiento pobre	Varios Sistemas pueden verse afectados	Motor en vacío	Filtro de aire contaminado, carburador contaminado, silenciador obturado, conducto de salida en el cilindro obturado

Item	Tiempo de funcionamiento		Antes del manejo	Después del manejo	Diariamente (10 horas)	30 horas	50 horas	200 horas	Parada/reposo	Página correspondiente
Aceite del motor		Inspección/limpieza	○							99
		Cambie					○*1			105
Piezas de apriete (pernos, tuercas)		Inspeccionar	○							107
Tanque de combustible		Limpieza/inspección	○							-
		Drenaje del combustible							○*3	107
Palanca del acelerador		Comprobación del funcionamiento		○						-
Interruptor de paro		Comprobación del funcionamiento		○						102
Giro a baja velocidad		Inspección/ajuste			○					102
Depurador de aire		Límpielo			○					106
Bujía		Inspeccionar			○					106
Conducto de aire de refrigeración		Limpieza/inspección			○					107
Tubo de combustible		Inspeccionar			○					107
		Cambie						⊙*2		-
Filtro de combustible		Limpieza/cambio				○				107
Holgura entre la válvula de admisión de aire y la válvula de descarga de aire		Ajuste						⊙*2		-
Tubo de aceite		Inspeccionar						⊙*2		-
Reacondicionamiento del motor								⊙*2		-
Carburador		Drenaje del combustible							○*3	107

*1 Haga el cambio inicial después de 20 horas de funcionamiento.

*2 Encargue la inspección de las 200 horas de funcionamiento a un Agente o Taller de Servicio Autorizado.

*3 Después de vaciar el tanque de combustible, deje el motor en funcionamiento y drene el combustible en el carburador.

INVESTIGACIÓN DE AVERÍAS

Antes de solicitar reparaciones; compruebe el problema usted mismo. Si se encuentra una anomalía, controle la máquina de acuerdo con la descripción de este manual. Nunca manipule ni desmonte piezas no relacionadas con la descripción. Para reparaciones, póngase en contacto con el Agente de Servicio Autorizado o concesionario local.

Estado de la anomalía	Causa probable (avería)	Remedio
El motor no arranca	No funciona la bomba de cedado	Empuje 7 a 10 veces.
	Tirador de arranque agarrotado o duro	Tire con fuerza.
	Falta combustible	Eche combustible.
	Filtro de combustible atascado	Límpielo
	Tubo de combustible roto	Cámbielo
	Combustible deteriorado	El combustible deteriorado dificulta el arranque. Cambie el combustible por nuevo (cambio recomendado: 1 mes).
	Excesivo consumo de combustible	Coloque la palanca del acelerador entre velocidad media y alta y tire del mango de arrancador de modo que el motor se ponga en marcha. Si el motor no arrancase, saque la bujía; seque el electrodo y vuelva a colocarla en su posición original. Vuelva a intentar arrancar.
	Caperuza de bujía suelta	Instale firmemente
	Bujía sucia	Límpielo
	Distancia anormal del electrodo de la bujía	Cámbiela o ajuste la bujía.
	Otras anomalías de la bujía	Cambie
	Carburador anormal	Solicite la inspección y mantenimiento
	No puede tirarse del tirador de arrancador	Solicite la inspección y mantenimiento
Sistema de transmisión anormal	Solicite la inspección y mantenimiento	
El motor se para pronto No aumenta la velocidad del motor	Calentamiento insuficiente	Efectúe el calentamiento
	La palanca de choque está en la posición CIERRE aunque el motor está caliente	Colóquela en ABRA
	Filtro de combustible atascado	Límpielo
	Depurador de aire sucio o atascado	Límpielo
	Carburador anormal	Solicite la inspección y mantenimiento.
	Sistema de transmisión anormal	Solicite la inspección y mantenimiento.
	Cable del acelerador suelto	Instale firmemente
	Sistema de transmisión anormal	Solicite la inspección y mantenimiento.
El motor no se para ↓ Déjelo funcionando en ralentí y coloque la palanca de choque en CIERRE	Conector suelto	Instale firmemente
	Sistema eléctrico anormal	Solicite la inspección y mantenimiento.

Cuando el motor no arranca después de la operación de calentamiento.
Si no se encuentran anomalías en los puntos comprobados, abra el acelerador 1/3 aproximadamente y arranque el motor.

Mange tak, for at De har besluttet Dem for at købe et Makita-blæseapparat. Vi glæder os over at kunne tilbyde Dem vores Makita-blæseapparat, som er et resultat af et langvarigt udviklingsprogram og mange års erfaringer og kendskaber.

Blæseapparat-model BHX2501 kombinerer fordelene ved at være på nyeste tekniske niveau med et ergonomisk design. Den har en lav vægt, er nemme at håndtere, kompakte og byder på professionelt udstyr til et stort antal af anvendelsesområder.

Denne driftsvejledning skal læses grundigt igennem før første idrifttagning og sikkerhedsforskrifterne skal absolut følges! Dette vil hjælpe Dem til at opnå de bedst mulige resultater med Makita blæserapparatet.



Indholdsfortegnelse

	Side
SYMBOLER	110
SIKKERHEDSINSTRUKTIONER.....	111
EF-KONFORMITETSERKLÆRING.....	114
SPECIFIKATIONER	114
DELENES NAVNE	115
MONTERINGSVEJLEDNING	116
FØR BETJENING AF APPARATET	117
DRIFT	119
TOMGANGSINDSTILLING	120
BETJENINGER	121
INSPEKTION OG VEDLIGEHOLDELSE.....	123
OPBEVARING.....	125
FEJLSØGNING	127

SYMBOLER

Det er meget vigtigt at forstå de nedenfor viste symboler, når man læser nærværende driftsvejledning.

	ADVARSEL/FARE		Brændstof (benzin)
	Læs, forstå og følg sikkerhedsinstruktionerne.		Start af motor
	Forbudt		Nødstop
	Rygning forbudt		Førstehjælp
	Ingen åben ild		Genbrug
	Bær beskytteshandsker		Genbrug
	Mennesker og dyr skal holdes væk fra arbejdsområdet!		TÆNDES/START
	Brug øjen- og høreværn!		SLUKKES/STOP
	Hold tilskuere væk		Amputation af finger eller af hånd, rotorblad
			CE-mærkning

SIKKERHEDSINSTRUKTIONER

Almindelige henvisninger

- Til sikring af sikker håndtering skal brugeren under alle omstændigheder læse denne driftsvejledning helt igennem, for at gøre sig fortrolig med håndteringen af blæseapparatet (1). Utilstrækkeligt informerede brugere kan udsætte sig selv og andre personer for fare som følge af usagkyndig brug.
- Blæseapparatet må kun stilles til rådighed for brugere, der allerede har erfaringer med blæseapparater.
- Herved udleveres nærværende driftsvejledning.
- Den første bruger af et blæseapparat bør lade sig instruere af en sælger.
- Børn og unge under 18 år må ikke betjene blæseapparatet. Unge over 16 år er undtaget fra dette forbud, når de til brug for deres uddannelse er under opsyn af en fagkyndig person.
- Arbejder med blæseapparater kræver stor opmærksomhed.
- Der må kun arbejdes i en god kropslig konstitution.
- Alle arbejder skal gennemføres roligt og med omtanke. Brugeren er ansvarlig overfor tredjemand.
- Der må aldrig arbejdes under påvirkning af spiritus eller narkotika (2).
- Der må aldrig arbejdes i træt tilstand.
- Driftsvejledningen skal opbevares omhyggeligt med henblik på senere brug.

Personligt beskyttelsesudstyr

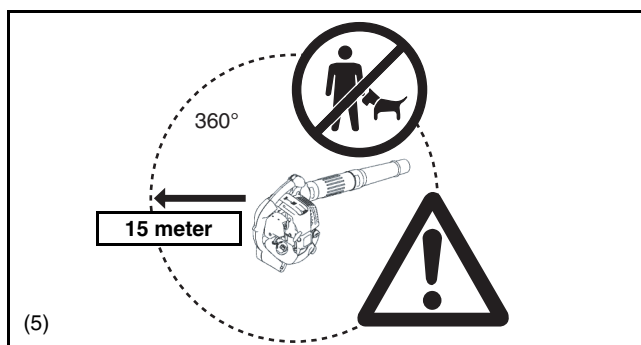
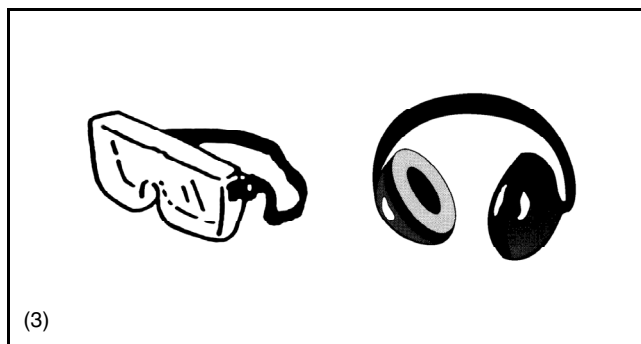
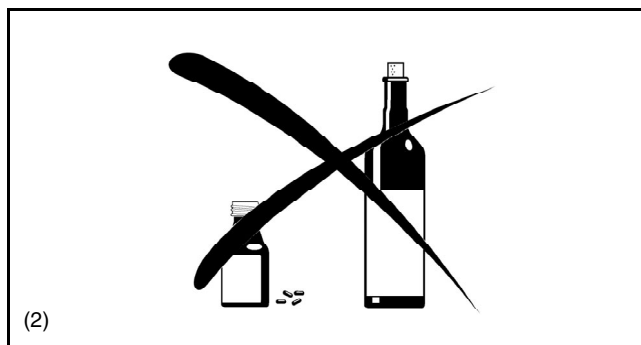
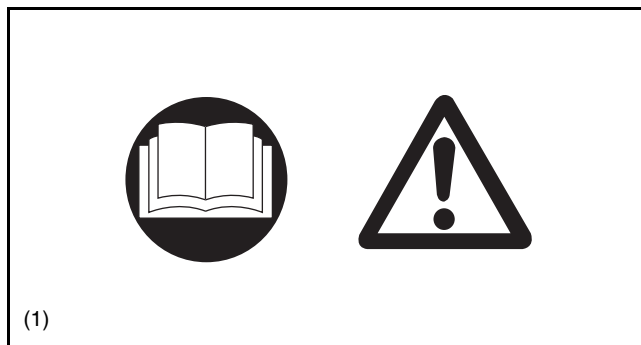
- Beklædningen skal være hensigtsmæssig, dvs. tætsiddende, men må ikke være til hinder under arbejdet. Bær ikke smykker, beklædning eller langt hår, der kan komme ind i luftindtaget.
- For at undgå skader i hovedet, øjnene, hænderne eller fødderne samt høreskader ved arbejde, skal der bruges det udstyr og de midler til kropsbeskyttelse under anvendelse af blæseapparatet, som er beskrevet nedenfor.

I særdeleshed skal man være opmærksom på følgende:

- Beklædningen skal være stabil og tætsiddende, men må ikke indskrænke bevægelsesfriheden. Undgå løstsiddende jakker, løse eller flagrende bukser, tørklæder, langt hår eller andet, som kan blive trukket ind i luftindtaget. Som benbeskyttelse skal man altid bære lange bukser eller overall. Der må ikke arbejdes med korte bukser (4).
- For at undgå høreskader skal man bruge egnede værnemidler imod støj (høreværn, kapsler). Personer, der plejer at anvende apparatet oftere eller regelmæssigt, bør have undersøgt deres hørelse med regelmæssige mellemrum (3).
- Arbejdshandsker skal bæres hele tiden ved arbejde med blæseapparater. Et godt fodfæste er meget vigtigt. Brug stabilt fodtøj med en grov sål (4).
- En forsvarlig øjenbeskyttelse er absolut nødvendig. Skønt luftafgangen er vendt bort fra brugeren, er der risiko for modstød eller tilbageslag ved anvendelse af blæseapparatet (3).
- Anvend blæseapparatet aldrig uden at bære beskyttelsesbriller eller forsvarligt siddende sikkerhedsbriller, der giver tilstrækkelig beskyttelse både i siderne og opadtil, i overensstemmelse med ANSI Z 87.1 (eller en standard, der har gyldighed i Deres land).

Start af blæseapparat

- Det skal sikres, at ingen børn eller andre personer opholder sig inden for arbejdsområdet på 15 meter (5). Vær også opmærksom på dyr. Anvend aldrig blæseapparatet i byområder.
- Før arbejdet påbegyndes, kontrolleres blæseapparatet for driftssikker tilstand:
Prøv gashåndtaget for sikkerhed og let bevægelighed. Kontrollér gashåndtagets blokering for forsvarlig funktion. Rene og tørre hænder og betjeningsgreb, funktion af start/stop-kontakt. Grebet skal altid være frit for olie og brændstof.



Blæseapparatet må kun startes som beskrevet i driftsvejledningen. Andre startteknikker er ikke tilladt (6).

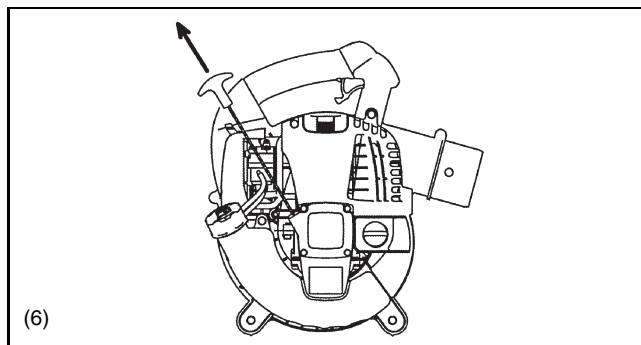
- Anvend blæseapparat og værktøjer kun til de anførte anvendelsesområder.
- Blæseapparatet må først startes efter fuldstændig samling. Principielt må apparatet kun benyttes i komplet monteret stand!
- Apparatet skal straks slukkes ved mærkbare forandringer i apparatets adfærd.
- Når der arbejdes med blæseapparatet skal man altid holde fast betjeningsgrebet med tommelfingeren og med pegefingeren, således at apparatet kan føres kontrolleret. Hold hånden i denne position for hele tiden at have kontrol med maskine. Det skal sikres, at betjeningsgrebet (og grebet til suge/-ekstra-apparatet) er rent og tørt og ikke beskadiget.

Man skal løbende være opmærksom på sikkert fodfæste.

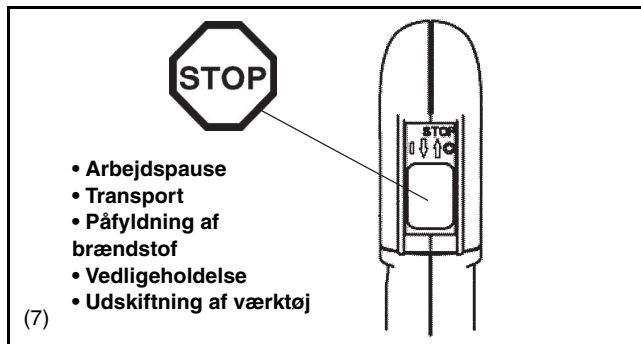
- Blæseapparatet skal håndteres, således at indånding af udstødningsgasser er udelukket. Der må ikke arbejdes i lukkede rum (fare for kvælning og forgiftning). Kulilte er en lugtfri gas. Sørg altid for tilstrækkelig udluftning på arbejdsområdet.
- I arbejds pauser og før blæseapparatet forlades, skal det slukkes og stilles til side, således at ingen udsættes for fare. Læg apparatet på et sikkert sted, for at undgå fare for andre personer, antændelse af antændelige stoffer eller skader på apparatet.
- Blæseapparatet må ikke stilles i det tørre græs eller ved siden af let antændelige genstande.
- Udstyr og henvisninger til drift, der indgår i blæseapparatets leveringsomfang, skal benyttes hhv. følges.
- Blæseapparat må ikke drives med defekt lydæmper.
- Under transport skal motoren være slukket (7).
- Ved transport i en person- eller lastbil skal man være opmærksom på, at apparatet er placeret, således at det er udelukket, at der kan løbe brændstof ud.
- Under transport skal brændstoftanken være fuldstændig tømt.

Påfyldning af brændstof

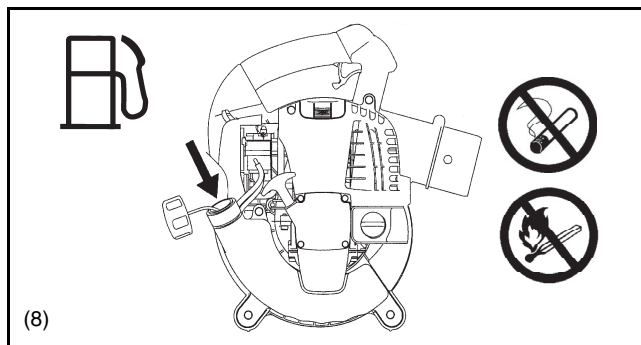
- Ved optankning af blæseapparatet skal motoren være slukket (7). Rygning og åben ild (8) er ikke tilladt.
- Hudkontakt med mineralolieprodukter bør undgås. Brændstofdampe må ikke indåndes. Bær beskyttelseshandsker under optankning. Beskyttelsesbeklædning skal skiftes og rengøres regelmæssigt.
- Vær opmærksom på, at hverken brændstof eller olie kan løbe ud i jorden (miljøbeskyttelse). Hvis der spildes brændstof, skal blæseapparatet straks rengøres.
- Brændstof må ikke komme i berøring med beklædning. Hvis dette er sket, skal beklædningen straks skiftes (fare for forbrænding).
- Låseskruen til brændstoftanken skal regelmæssigt kontrolleres for tæthed.
- Låseskruen skal låses godt. Til start skal blæseapparatet flyttes (mindst 3 meters afstand fra stedet for optankning) (9).
- Optankning må ikke ske i lukkede rum. Brændstofdampe samler sig ved jorden (eksplosionsfare).
- Brændstoffer må kun transporteres og opbevares i godkendte og mærkede dunke. Brændstoffer må ikke gøres tilgængeligt for børn.
- Ved varm eller løbende motor må blæseapparatet ikke tankes op.



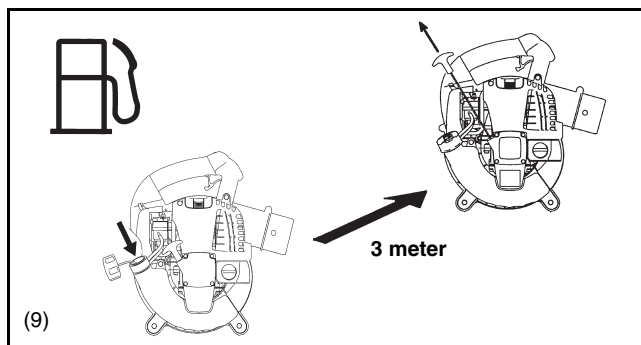
(6)



(7)



(8)



(9)

Arbejdsteknik

- Der må kun arbejdes ved gode syns- og lysforhold. I den kolde årstid skal man være specielt opmærksom på glat eller vådt føre, is og sne (fare for at skride).
Man skal altid bære skridsikkert fodtøj.
- Arbejd aldrig på ustabile flader eller stejlt terræn.
- Blæseapparatet må aldrig rettes mod andre personer! Den udstømmende luft står under højt tryk og kan indeholde snavspartikler, der kan medføre skader på øjnene.
- Der må aldrig føres fremmedlegemer ind i sugeåbningen i ventilatorhuset. Dette vil medføre beskadigelser på ventilatorhjulet og udgør en stor fare for brugeren og andre personer. Afbrækkede dele vil udstødes med høj hastighed og kan medføre alvorlige fysiske skader.
- Vær opmærksom på vindretningen! Der må ikke arbejdes mod vinden.
- For at undgå snubling ved arbejde med blæseapparatet må man ikke gå baglæns.
- Før rengøring og vedligeholdelse af apparatet, skal motoren være slukket.

Vedligeholdelsesanvisninger

- Tænk på miljøet! Blæseapparatet skal drives med et lavt niveau af støj og udstødningsgas. Her skal man være opmærksom på korrekt indstilling af karburator.
- Blæseapparatet skal rengøres regelmæssigt og det skal kontrolleres, at alle skruer og møtrikker sidder fast.
- Blæseapparatet må ikke vedligeholdes eller opbevares i nærheden af åben ild, gnister osv. (11)!
- Blæseapparatet må kun opbevares med tom tank i låste og godt ventilerede rum.

Vær opmærksom på de af brancheforeningen og af forsikringsselskab fastsatte bestemmelser om forebyggelse af uheld. Under ingen omstændigheder må der foretages konstruktionsmæssige ændringer på/i blæseapparat! Dette vil gå ud over Deres sikkerhed!

Vedligeholdelses- og reparationsarbejde må kun udføres i det omfang, der er beskrevet i nærværende driftsvejledning. Alle yderligere arbejder udføres af autoriserede forhandlere.

Der må kun anvendes originale Makita reservedele og tilbehør. Hvis der ikke anvendes originale Makita reservedele og tilbehør, skal der regnes med øget fare for ulykker. Ved ulykker eller skader med reservedele og tilbehør, der ikke er godkendt af Makita, bortfalder ethvert ansvar.

Førstehjælp

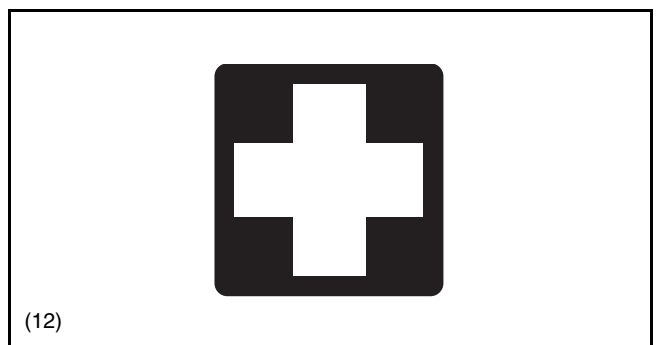
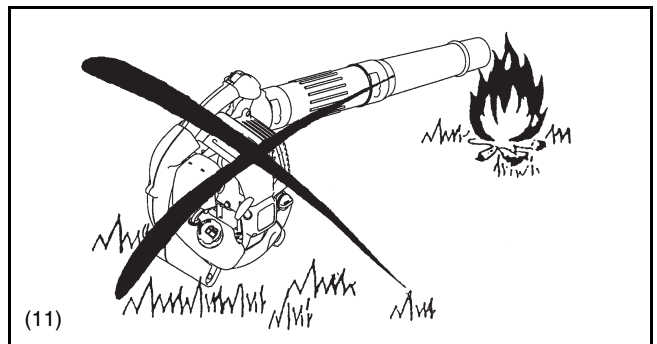
Under hensyntagen til eventuelt forekommende ulykker bør der altid være en førstehjælpskasse på arbejdspladsen. Fyld straks kassen op igen hvis der bruges noget fra den.

Hvis De tilkalder hjælp, skal De give følgende oplysninger:

- hvor det skete
- hvad der skete
- hvor mange tilskadedekomne
- hvilken form for skader
- Deres navn

Emballage

Deres MAKITA blæseapparat leveres i en papkasse til beskyttelse mod transportskader. Kartonnage er et råstof og således egnet til genbrug eller den kan tilføres råstofkredsløbet (nyttiggørelse af returpapir) igen.



EF-KONFORMITETSERKLÆRING

Kun for lande i Europa

EF-konformitetserklæringen er inkluderet som Tillæg A til denne instruktionsvejledning.

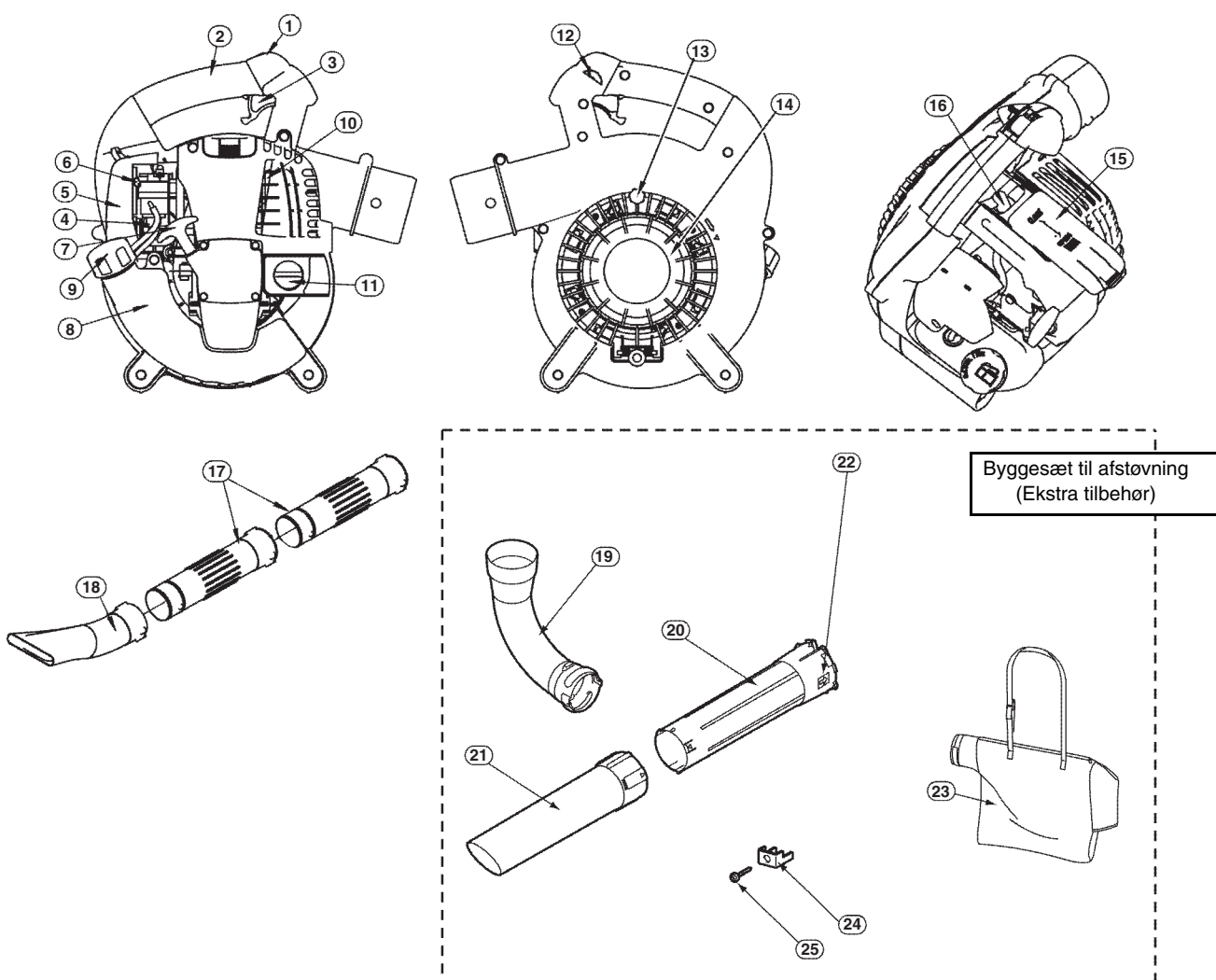
SPECIFIKATIONER

Model		BHX2501	BHX2501 med byggesæt til afstøvning	
Vægt (uden rør)	(kg)	4,5		
Dimensioner (uden rør L x B x H)	(mm)	350 x 231 x 368		
Maksimalt motoromdrejningstal	(min ⁻¹)	7.800		
Tomgangshastighed	(min ⁻¹)	3.500		
Slagvolumen	(mL)	24,5		
Brændstof		Normalbenzin		
Brændstoftankkapacitet	(L)	0,52		
Motorolie		SAE 10W-30 olie af API-klassificering, klasse SF eller højere (4-takts motorolie).		
Motorolievolumen	(L)	0,08		
Karburator (membrankarburator)		WALBRO WYL		
Tændsystem		Tændspole		
Tændrør		NGK CMR6A		
Elektrodeafstand	(mm)	0,7 – 0,8		
Vibration Pr. ISO22867 (*Venstre side/Højre side)	a _{hv eq}	(m/s ²)	9,3	8,1/11,1*
	Usikkerhed K	(m/s ²)	0,5	0,5/1,3*
Gennemsnitligt lydtryksniveau til ISO22868	L _{PA eq}	dB(A)	90,8	92,8
	Usikkerhed K	dB(A)	1,4	3,8
Gennemsnitligt lydeffektniveau til ISO22868	L _{WA eq}	dB(A)	104,4	104,3
	Usikkerhed K	dB(A)	1,6	1,5

Bemærk:

1. Anvend kun olietyper og tændrør, der er anbefalet af MAKITA.
2. Specifikationen kan ændres uden forudgående meddelelse.

DELENES NAVNE



DELENES NAVNE	DELENES NAVNE	DELENES NAVNE	DELENES NAVNE
1. Stop-kontakt	8. Brændstoftank / Hjælpehåndtag	15. Tændrørshætte	22. Pilsymbol
2. Hovedhåndtag	9. Brændstoftankdæksel	16. Tændrør	23. Støvtaske
3. Triggerhåndtag	10. Lyddæmper	17. Ventilatorrør	24. Holder
4. Startindsprøjtningpumpe	11. Olieåksel	18. Ventilatoråkse	25. Skruer
5. Luftfilteråksel	12. Startlåseknop	19. Manifold	
6. Chokerhåndtag	13. Skruer	20. Sugerør A	
7. Starthåndtag	14. Beskyttelsesånsrdning	21. Sugerør B	

MONTERINGSVEJLEDNING



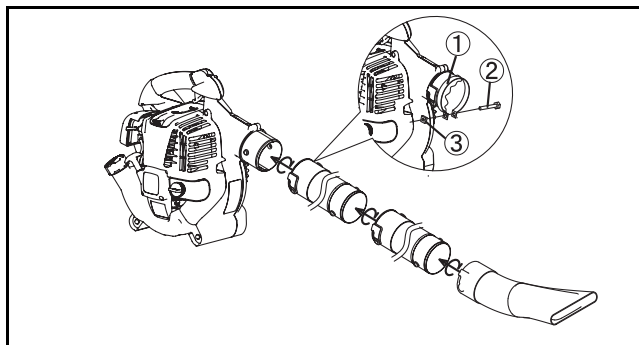
FORSIGTIG! Inden der udføres arbejder på blæseapparatet, skal motoren altid slukkes og tændrørsstikket trækkes af tændrøret.

Bær altid beskyttelseshandsker!

FORSIGTIG! Start først blæseapparatet, når det er fuldstændigt samlet.

1. MONTERING AF BLÆSERØRENE

- 1) Sæt rillerne i blæserrøret ud for tapperne på blæseapparatets hus og skyd røret på huset.
- 2) Drej blæserrøret med uret for at låse det på plads.
- 3) Klemmen ① lægges rundt om åbningen i blæserrøret. Fastgør forsvarligt med bolt ② og møtrik ③.



2. MONTERING AF SUGETILBEHØR

1) Montering af sugerør

- (1) Skruen ④ løsnes og beskyttelsesanordningen ⑤ åbnes.





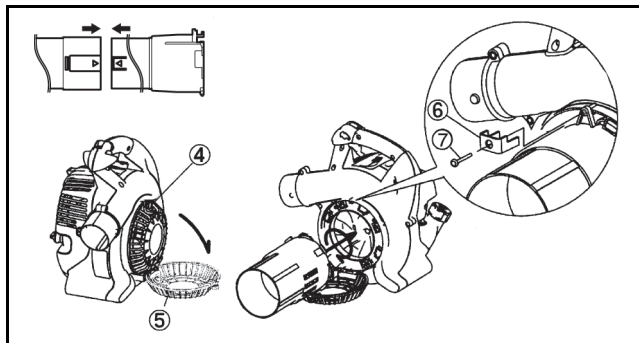
ADVARSEL!

Når blæseren anvendes til blæsearbejde, skal man altid lukke beskyttelsesanordningen ⑤ og stramme skruen ④, inden arbejdet påbegyndes.

Ellers kan den uisolerede rotor gribe fat i krop eller tøj og være årsag til alvorlig tilskadekomst.

Anvend altid vakuumrørene A og B sammen. Ellers kan kontakt med rotoren forårsage alvorlig tilskadekomst, når operatøren forsøger at fjerne affald, der har sat sig fast i røret.

- (2) Sæt "▲" mærket på vakuumrørene A og B ud for hinanden. Sæt vakuumrøret A ind i vakuumrøret B, så de tre rigeler går i indgreb.
- (3) Sæt  angivet på vakuumrøret A ud for "●", som er angivet på blæseren. Før så sugerøret ind i blæseapparatet.
- (4) For at låse sugerøret, drejes sugerøret, indtil tegnet  er i overensstemmelse med tegnet "▼" på blæseapparatet.
- (5) Vakuumrøret skal fastgøres forsvarligt på blæserrøret med skruen ⑦ og holderen ⑥. Stram ikke skruen for meget for at undgå brud på delene.



Forsigtig: Udfør ikke fastgøringsarbejdet i (5) herover, hvis blæseren skal bruges i et land eller en region, hvor CE-mærket ikke gælder.

Bemærk: Motoren vil ikke starte, med mindre vakuumrøret er helt monteret.

2) Montering af manifold og af støvpose

- (1) Åbn låseanordningen på støvposen.
- (2) Før siden med skinnen på manifolden ind i støvposen og tag den ud gennem posens åbning.
- (3) Fastgør manifolden med krog-og-løkke låseanordningen omkring det sted, som er angivet på illustrationen.

FORSIGTIG

Monter støvposen væk fra siden med skinnen på manifolden. Hvis støvposen monteres nær motoren, kan udstødningsskibe brænde støvposen.

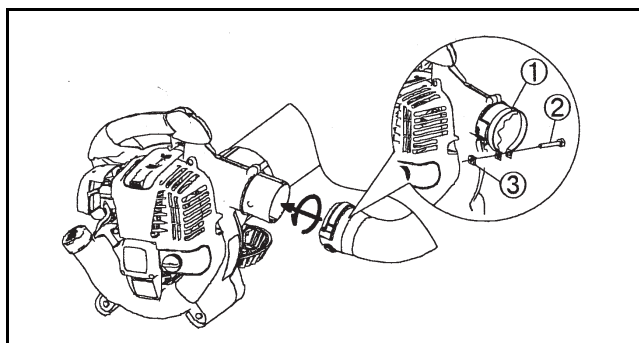
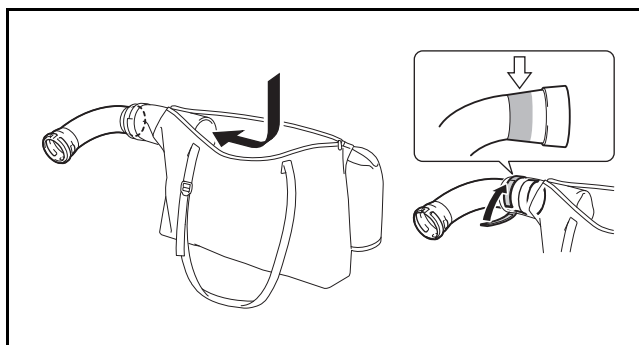
- (4) Monter manifolden på blæseapparatet.
- (5) Klemmen ① lægges rundt om åbningen i manifolden og fastgøres forsvarligt med bolt ② og møtrik ③.

Forsigtig: Udfør ikke fastgøringsarbejdet i (5) herover, hvis blæseren skal bruges i et land eller en region, hvor CE-mærket ikke gælder.



ADVARSEL!

Undgå at opsuge store træspåner, metal, glas, sten, væsker, brændende cigaretter, fyrværkeri eller lignende.



FØR BETJENING AF APPARATET

1. Motorolie kontrolleres og påfyldes alt efter behov

(1) Udfør den følgende procedure, når motoren er kold.

Sørg for at motoren står på en flad, vandret flade, som vist på Fig. 1.

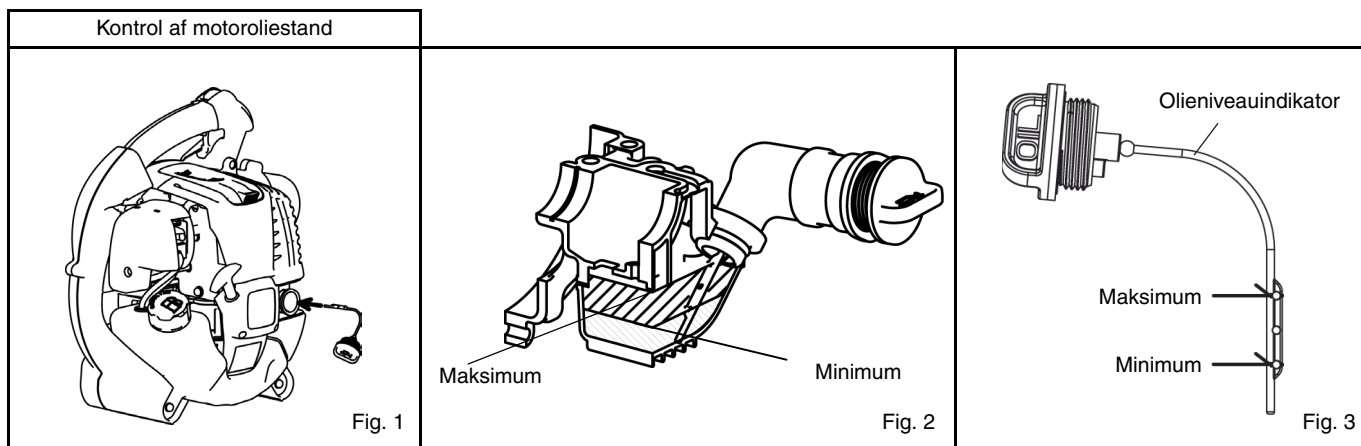
- Inspektion: Fjern oliedækslet. Tør olieniveauindikatoren af. Sæt oliedækslet (Fig. 2) tilbage på plads og fjern det. Bekræft at olien er mellem den nedre og øvre grænsemærkning på olieindikatoren.
- Genopfyldning: Hvis olien er under den nedre grænse, skal der fyldes olie på gennem den samme åbning, hvorfra oliedækslet blev fjernet. Se Fig. 4 angående, hvilken vej motoren skal vende, når der fyldes olie på.

(2) Det kan være nødvendigt at fylde olie på efter omkring hver 10 timers brug (for hver 10 påfyldninger).

(3) Hvis olien skifter farve eller er blevet blandet med snavs, skal olien skiftes ud. (Angående interval og udskiftningsmetode henvises til side 123)

Olietype: SAE 10W-30 olie af API-klassificering, klasse SF eller højere (4-takts motorolie).

Oliemængde: Ca. 0,08 l

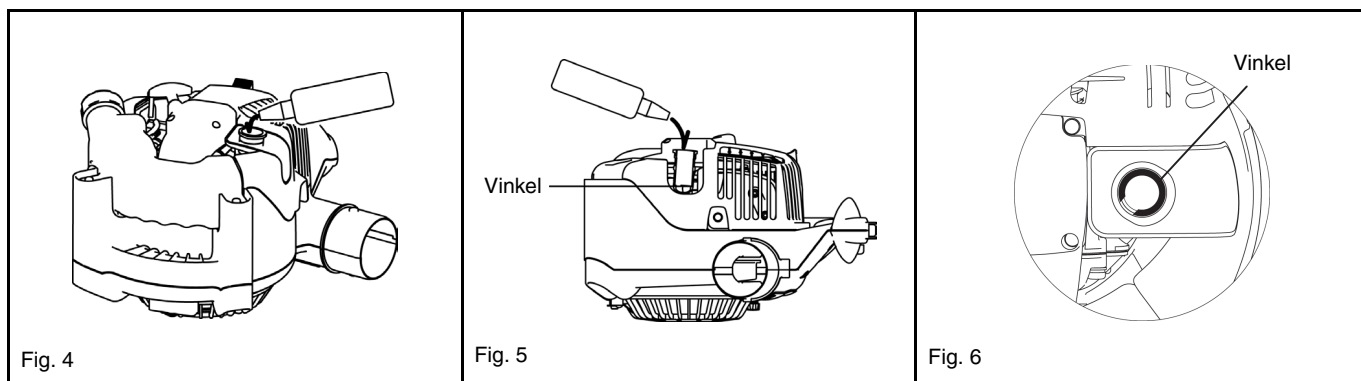


BEMÆRK

- Hvis motoren ikke er placeret som vist på Fig. 1 på en vandret flade, kan angivelsen af olieniveauet blive unøjagtig.
- Hvis olie fyldes på ud over grænsen, kan olien blive forurenset eller kan bryde i brand og udvikle hvid røg.

Udskiftning af olie "Oliemåler"

- Støv eller snavs rundt omkring oliepåfyldningsstudsens skal fjernes fuldstændigt, inden oliestandsmåleren trækkes ud.
- Vær opmærksom på, at oliemålepinden ikke kommer i berøring med sand eller jord. Snavs eller sand i olien kan påvirke olieledsløbet og forårsage defekter som følge af alt for tidligt slid på mekaniske dele.
- For at undgå forurening af oliemålepinden, kan den sættes i motorkappen.



Efter påfyldning af olie

- Tør spildt olie af med en klud.

2. Brændstofftilførsel



ADVARSEL

- Når apparatet genopfyldes, skal man huske at overholde de følgende anvisninger for at forhindre antændelse og brand.
 - Optankning må ikke ske i nærheden af steder med åben ild. Åben ild og cigaretter skal holdes på afstand af oliepåfyldningen.
 - Stop motoren og lad motoren køle af inden genopfyldning.
 - Åbn brændstoftankdækslet langsomt. Under internt tryk kan der sive brændstof ud.
 - Pas på, at brændstoffet ikke løber over. Hvis brændstoffet løber over, skal det tørres omhyggeligt op.
 - Optankning må kun ske udendørs.
- Håndtér brændstoffet med forsigtighed.
 - Brændstof, der klæber til huden, eller kommer i kontakt med øjnene kan medføre allergier eller irritation. Konsulter øjeblikkeligt en medicinsk specialist, hvis en unormal, fysisk tilstand opdages.
- Fyld IKKE olie i brændstoftanken.

BRÆNDSTOFOPBEVARING

Anvend ikke benzin, der er ældre end 4 uger, selv om det er blevet opbevaret i en specialdunk på et køligt og skygget sted. Vær opmærksom på, at benzin kan nedbrydes i løbet af en dag, hvis dunken ikke er låst, eller hvis der ikke anvendes en specialdunk til opbevaring.

Opbevaring

- Stil apparatet og dunken på et køligt sted uden direkte sollys.
- Opbevar aldrig brændstof i en bil.

BRÆNDSTOFTYPE

Motoren drives med en 4-takts motor. Sørg for at anvende automobil-benzin (almindelig benzin eller førsteklasses benzin).

Angående brændstof

- Anvend aldrig bensin iblandet motorolie. Motorolie, der er tilsat benzinen, vil forårsage alt for mange kulstof-aflejringer. Dette kan resultere i mekaniske problemer.
- Brug af benzin af mindre kvalitet kan vanskeliggøre startproceduren.

Under genopfyldning skal man stoppe motoren og bekræfte, at motoren køler ned.

GENOPFYLDNINGSMETODE

- Løs tankdækslet en smule for at lette trykket i tanken.
- Tag tankdækslet af og genopfyld, og slip luft ud ved at vippe brændstoftanken således, at påfyldningsåbningen vender opad. (Fyld IKKE brændstof op til toppen af tanken).
- Efter genopfyldning skal tankdækslet strammes godt til.
- Hvis der er nogen defekter eller beskadigelse af tankdækslet, skal det skiftes ud.
- Tankdækslet slides ned i tidens løb. Skift det ud hvert andet eller tredje år.
- Fyld IKKE brændstof i olieåbningen.



1. Start

⚠ ADVARSEL

- Forsøg aldrig at starte på et sted, hvor brændstofforforsel har fundet sted.
 - Det kan medføre antændelse eller brand. Når motoren startes, skal der holdes en afstand på mindst 3 m.
- Udstødsgas fra motoren er giftig. Start kun apparatet på et godt ventileret sted. Der må ikke startes i lukkede rum, i tunneler el. lign.
 - Indånding af højere koncentrationer af motorens udstødningsgas vil medføre kulilteforgiftning.
- Ved usædvanlige lyde, lugte eller vibrationer efter start, skal motoren straks slukkes og årsagen afhjælpes i det omfang, som er beskrevet i denne driftsvejledning.
 - Anvendelse af et beskadiget apparat kan føre til ulykker.
- Forvis Dem om, at motoren er slukket, når stop-kontakten indstilles i position O.

1) Når motoren er kold eller efter genopfyldning

- (1) Stil apparatet på en plan flade.
- (2) Sæt stop-kontakten på position "I". (Fig. 1)
- (3) Betjen brændstofpumpen gentagne gange, indtil benzinen bliver synlig i pumpen. (Fig. 2)
 - I almindelighed kræver dette 7 til 10 pumpebevægelser.
 - Ved alt for meget pumpning vil overskydende benzin føres tilbage til benzintanken.
- (4) Løft chokerhåndtaget til den lukkede stilling (Fig. 3).
- (5) Hold hovedhåndtaget med venstre hånd for at forhindre at motoren bevæger sig.
- (6) Træk i startgrebet langsomt ud, indtil der kan mærkes modstand (kompressionspunkt). Før så startgrebet tilbage og træk denne gang hurtigt og kraftigt i det. (Fig. 4)
 - Træk aldrig rebet ud til fuld længde.
 - Slip ikke straks startgrebet efter at have trukket i startsnoren, men hold håndtaget i hånden, indtil det er vendt tilbage til udgangspositionen.
- (7) Åbn chokerhåndtaget, når motoren starter (Fig. 5).
 - Flyt chokeren trinvist og vær herved opmærksom på motorens adfærd. Forvis Dem om, at chokeren er fuldstændigt åbnet, når motoren er varm og kører rundt.
 - Hvis chokeren i koldt vejr eller ved koldstart efter igangsætning af motor pludselig åbnes fuldstændigt, kan det ske, at motoren går i stå.
- (8) Giv motoren 2-3 minutters tid til opvarmning.
- (9) Opvarmning er fuldført, når der er hurtig motor-acceleration fra lav til fuld gasregulering.

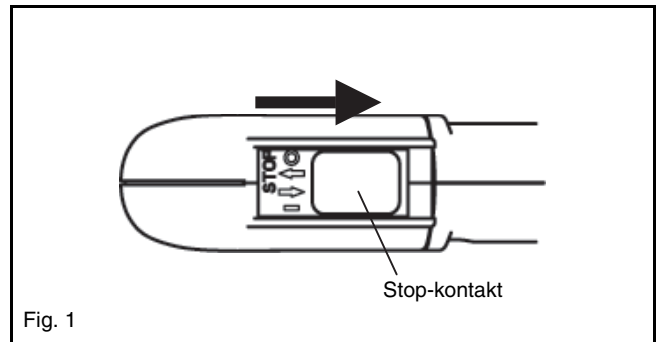


Fig. 1

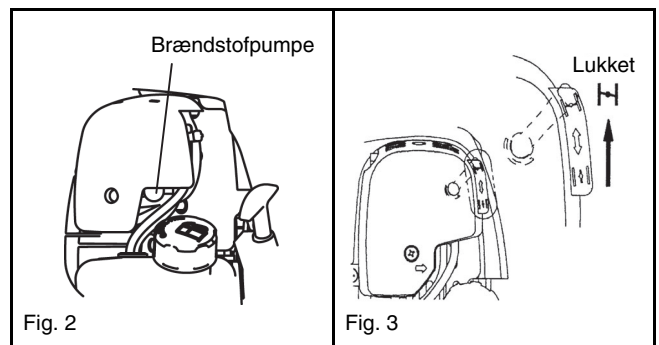


Fig. 2

Fig. 3

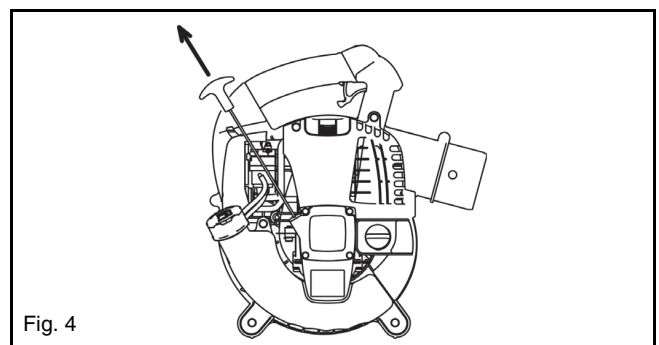


Fig. 4

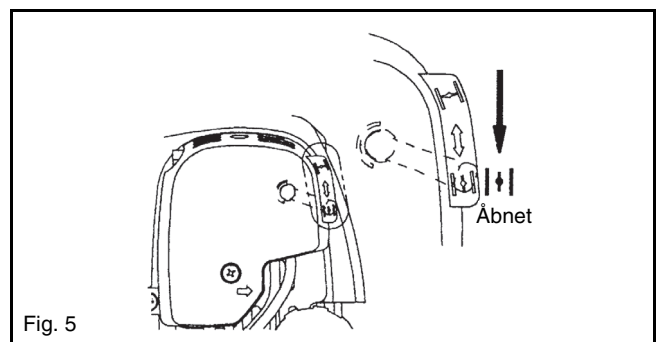


Fig. 5

BEMÆRK

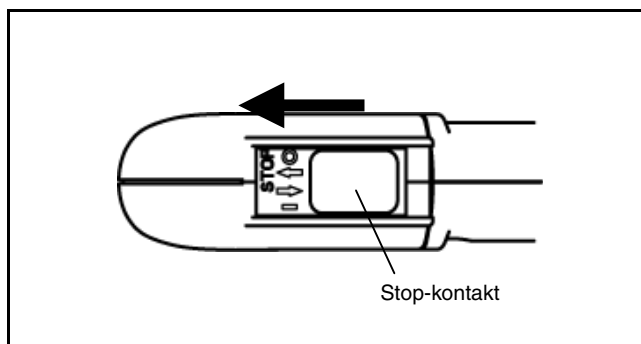
- Motoren kan lide skade, hvis chokerhåndtaget flyttes yderligere forbi positionen "CLOSE" (lukket).
- Hvis motoren gasser op og stopper, skal denne arm sættes tilbage til "OPEN" stillingen og starterhåndtaget skal trækkes flere gange for at motoren kan startes igen.
- Hvis operatøren bliver ved med at trække i chokerhåndtaget flere gange, kan det være svært at starte motoren på grund af, at brændstoffet flyder over.
- I tilfælde af, at brændstoffet flyder over, skal tændrøret fjernes og håndtaget skal trækkes hurtigt flere gange for at udtømme overskydende brændstof. Tør tændrørselektroden af.
- Hvis drosselventilen ikke returnerer til en position i kontakt med tomgangsjusteringsskruen, selv hvis starthåndtaget er sat til den lave hastighed, skal man korrigere kontrolkablets indgrebstilstand for at sikre, at ventilen går tilbage på korrekt vis.

2) Varmstart

- (1) Stil apparatet på en plan flade.
- (2) Betjen brændstofpumpen nogle gange.
- (3) Forvis Dem om, at chokerhåndtaget er åbnet.
- (4) Hold hovedhåndtaget med venstre hånd for at forhindre at motoren bevæger sig.
- (5) Træk starthåndtaget langsomt ud indtil der kan mærkes modstand. Før så startgrebet tilbage og træk denne gang hurtigt og kraftigt i det.
- (6) Hvis motoren ikke starter, betjen gashåndtaget med 1/3 og start på ny.

2. Slukning

Slip afbryderen for at reducere motorhastigheden og placer stopkontakten på "O"-positionen.
(Kobl gashåndtagets lås fra hvis den låser afbryderen i den fuldt åbne position.)



TOMGANGSINDSTILLING



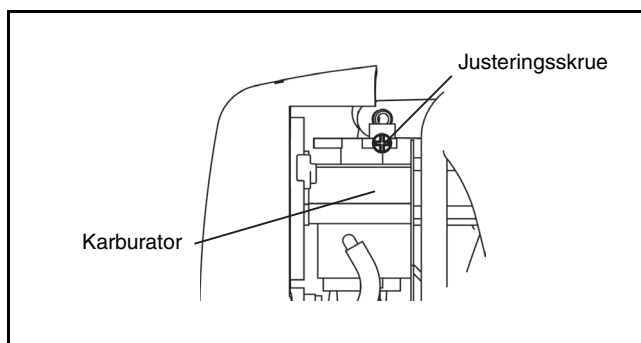
FARE

Karburatoren er indstillet på fabrikken. Indstil venligst ikke andet end tomgang. Hvis justering alligevel er nødvendig, bedes De rette henvendelse til den nærmeste autoriserede kundeservice.

Kontrol af tomgangshastighed

Tomgangshastigheden bør omtrent være på 3500 rpm (min^{-1}).

- Anvend en stjerneskruetrækker for at, foretage indstillinger på karburatoren, om nødvendigt.
- Drej justerskruen til højre, og motorhastigheden vil øges. Drej justerskruen til venstre, og motorhastigheden vil mindskes.



Forebyggelse af is i karburatoren

BEMÆRKNING

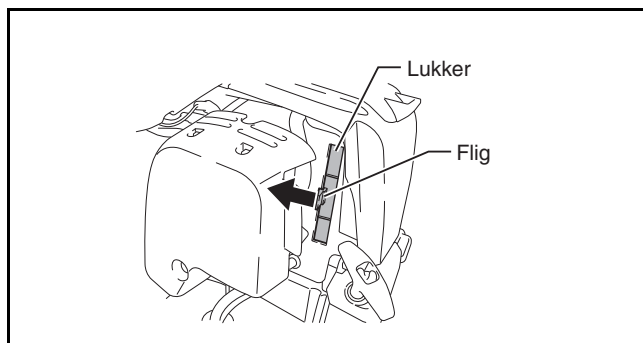
Når den omgivende temperatur er højere end 10 °C, skal De altid lukke lukkeren (normal indstilling). Ellers kan motoren blive beskadiget pga. overophedning.

Når den omgivende temperatur er lav, og luftfugtigheden er høj, kan vanddamp fryse inde i karburatoren, så motoren kører ujævnt (is i karburatoren).

Skift lukkerens indstilling på følgende måde efter behov.

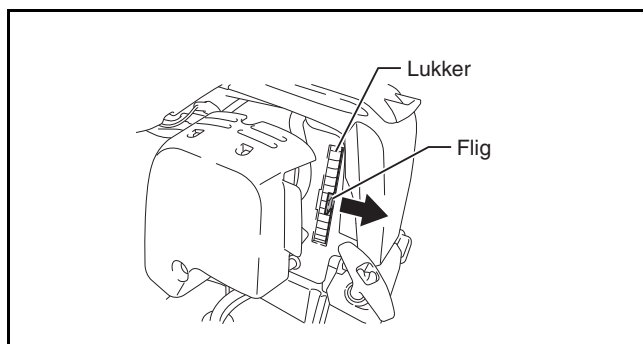
• Varmere omgivelser end 10 °C

Hold fligen på lukkeren, og skub den mod venstre (lukket position).



• 10 °C eller koldere omgivelser

Hold fligen på lukkeren, og skub den mod højre (åben position).

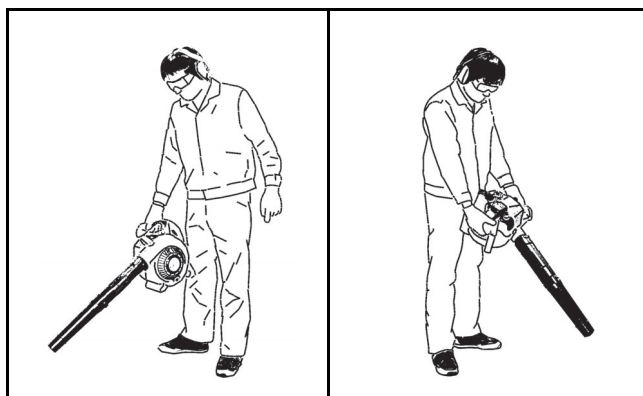


BETJENINGER



1. Blæsefunktion

- Hold godt fast i apparatet under arbejdet.
- Ret rørenden mod de objekter, der skal fejes, og tryk på afbryderen.
- Tryk triggerhåndtaget helt ind, hold startlåseknappen nede og slip triggerhåndtaget for at låse triggerhåndtaget ved fuld gas.
- Træk igen i afbryderen for at koble gaslåsen fra.
- Den lave del af brændstoftanken fungerer som hjælpehåndtag, som muliggør anvendelse med begge hænder. I dette tilfælde skal man holde hjælpehåndtaget med højre hånd.



2. Sugefunktionen

ADVARSEL

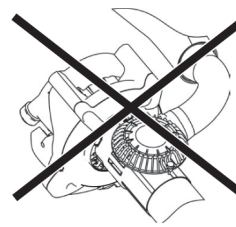
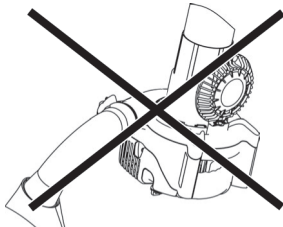
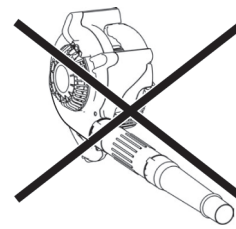
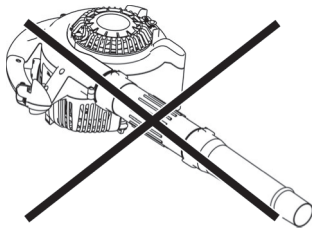
- Der må ikke opsuges væsker (f.eks. benzin), brændende cigaretter eller lignende med dette apparat.
 - Der kan opstå brand.
- Der må ikke opsuges for store fremmedlegemer, som for eksempel store træsplinter, metal, glas, sten osv.
 - Der er fare for beskadigelse af apparatet.
- Overopfyldning af støvposen kan bevirke, at den flyder over mod motorsiden. Tøm støvposen, inden den bliver helt fuld.
 - Der kan opstå brand.

- Hæng bæreselen til støvposen over skulderen og indstil den til Deres kropsstørrelse.
- Forvis Dem om, at støvtasken ikke er fordrejet og betjen gashåndtaget.
- Når støvposen er fuld, skal den tages af maskinen, og fastgørelsesanordningen skal åbnes for at støvposen kan tømmes.



BEMÆRK

Hvis denne maskine anvendes med beskyttelsesanordningen vendt opad eller hovedhåndtaget nedad, kan olien blive forurenet eller lække.





FARE

- Før der udføres vedligeholdelsesarbejde, skal der slukkes for motoren og den skal afkøles. Fjern tændrøret og tændrørshætten.
 - Hvis inspektion eller vedligeholdelse forsøges udført umiddelbart efter, at motoren er stoppet eller med tændrørshætten siddende på, kan operatøren brænde sig eller en ulykke kan ske pga. uforsigtig opstart.
- Inden apparatet tages i drift, forvis Dem om, at alle dele er monteret forsvarligt.

1. Olieskift

Olietyper af ringe kvalitet vil medføre en væsentlig forkortelse af apparatets levetid. Forvis Dem om alder og kvalitet af den anvendte olie.

FARE

- Generelt vil motorens hoveddel og motorolien stadig være varme, lige efter at motoren er stoppet. Ved udskiftning af olie, skal man bekræfte at motorens hoveddel og motorolien er tilstrækkeligt nedkølet. I modsat fald kan der være risiko for skoldning. Lad motorolien få tilstrækkelig tid, efter at motoren er stoppet, til at løbe tilbage til olietanken, så en nøjagtig udlæsning af olieniveauindikatoren kan sikres.
- Overfyldning af motoren med motorolie kan forårsage skader på apparatet.

Olieskiftinterval: Efter de første 20 driftstimer efterfulgt af hver 50 driftstimer.

Olietype: SAE 10W-30 olie af API-klassificering, klasse SF eller højere (4-takts motorolie)

Ved olieskift skal man gå frem som følger:

- (1) Forvis Dem om, at dækslet på benzintanken er låst godt fast.
- (2) Tag oliehaten af.
 - Hold oliemåleren fri for støv og snavs.
- (3) Vip maskinen i den rækkefølge, som vises på Fig. 1.
 - Tøm olien ud i en beholder.
- (4) Placer maskinen som vist på Fig. 2 og genopfyld olie til hylden inden i olierøret.
- (5) Sæt oliemålepinden i igen og skru den fuldstændigt fast. Utilstrækkelig låsning af oliemålepinden kan have til følge, at olien løber over.

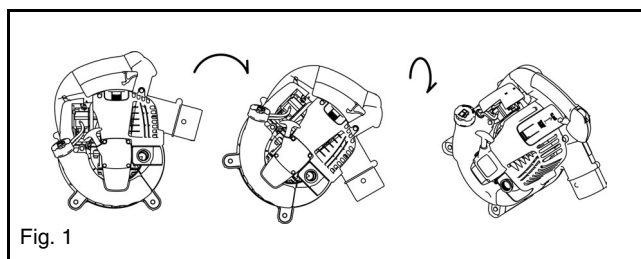


Fig. 1

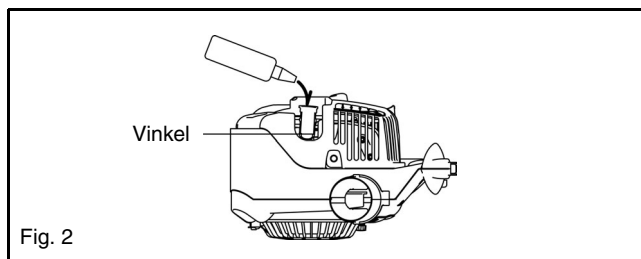


Fig. 2

Henvisninger vedr. olie

- Bortskaffelse af spildolie er omfattet af lovbestemmelser, der absolut skal overholdes. Affaldsolie må aldrig smides væk som almindeligt affald og olie må under ingen omstændigheder hældes i kloakken eller ud på jorden. Ved uklarheder og spørgsmål vedrørende bortskaffelse af spildolie, bedes De rette henvendelse til nærmeste kundeservice.
- Vær opmærksom på, at olie også kan ældes, hvis den ikke bruges. Kontrollér ubrugt olie og skift den med regelmæssige mellemrum (hver 6. måned).

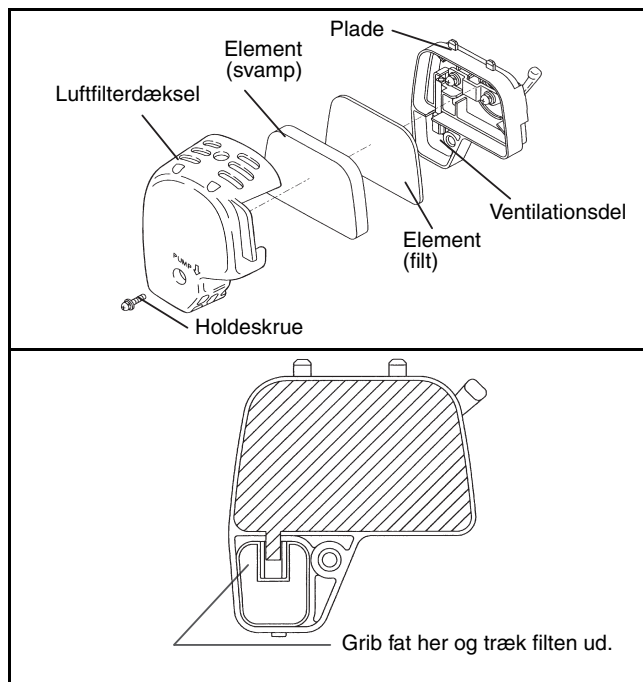
2. Rengøring af luftrensere



ADVARSEL: BRÆNDBARE MATERIALER ER STRENGT FORBUDT

Hyppeghed af rengøring og eftersyn: Hver dag (for hver 10 driftstimer)

- (1) Fjern holdeskruen til luftrenserens kabinet.
- (2) Træk den nederste del af luftfilterdæksel udad og loft dækslet af.
- (3) Luk chokeren fuldstændigt og forvis Dem om, at karburatoren er fri for støv og snavs.
- (4) Hvis elementet (svamp) er vædet med olie, skal det udpresses kraftigt.
- (5) Ved stærk forurening:
 - Fjern elementet (svamp), nedsæk det i varmt vand eller et mildt rengøringsmiddel, som er fortyndet med vand, og lad tørre helt.
 - Rens elementet (filt) med benzin, og lad det tørre fuldstændigt.
- (6) Inden elementerne isættes påny, skal disse være tørre fuldstændigt. Fugtige elementer kan vanskeliggøre startproceduren.
- (7) Tør resterende olie rundt om luftfilterdækslet og pladen af med en ren klud
- (8) Sæt straks efter rengøring luftfilterdækslet på igen og fastgør det med holdeskruen (først sættes den øverste del på, så indpasses den nederste del).

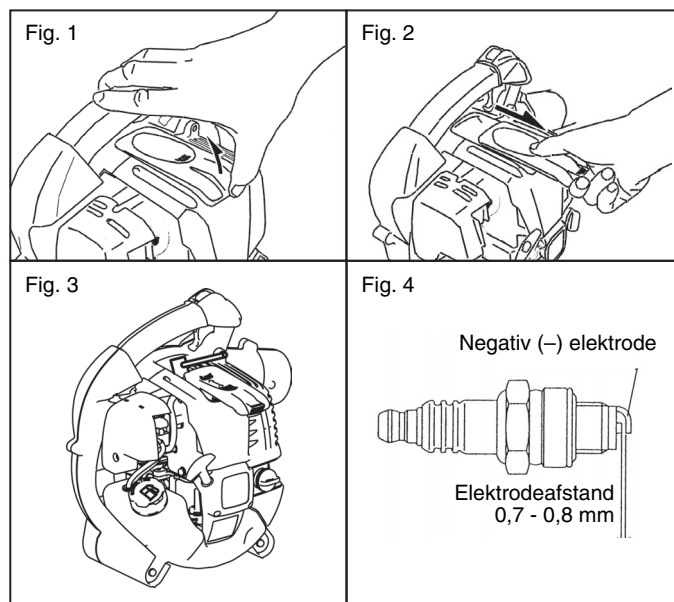


FARE

- Ved stærk støvpåvirkning skal luftfilteret rengøres flere gange om dagen.
- Hvis anvendelsen fortsætter uden at det tilbageværende element er rensset for olie, kan olie i luftrenseren løbe ud, hvorved olieforurening kan opstå.

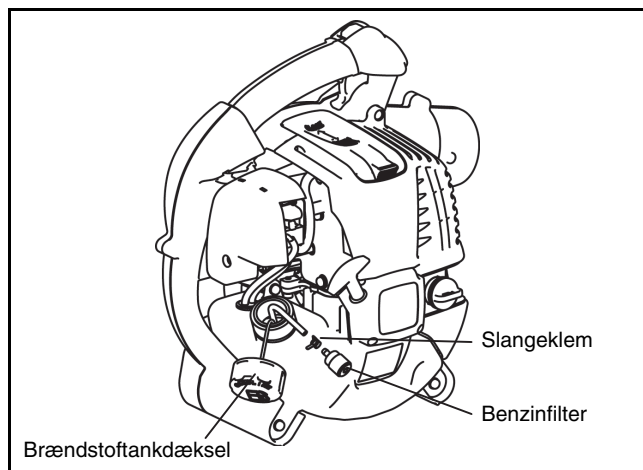
3. Tændrøret kontrolleres

- (1) Åbning/lukning af tændrørshætten
Når dækslet åbnes, anbringer man fingrene på hovedhåndtaget og stikdæksselfremspringet, (Fig. 1). Tryk fremspringet op og skyd dækslet i retningen "OPEN" (åben) (Fig. 2).
Når dækslet lukkes, skal man skyde dækslet i retningen "CLOSE" (lukket), så klikket under fremspringet på tændrørsdækslet kommer over motordækslet. Tryk til sidst fremspringet ind.
- (2) Tændrøret skrues ud.
Brug den inkluderede kombinøgle for at skrue tændrøret af eller i (Fig. 3).
- (3) Tændrøret kontrolleres
Afstanden mellem to elektroder på tændrøret er 0,7 to 0,8 mm (Fig. 4). Indstil den rigtige afstand, hvis den er for stor eller for lille.
Rengør tændrøret grundigt eller skift det ud, hvis der er aflejringer af kul på det eller det er forurenet.
- (4) Udskiftning af tændrør
Anvend NGK-CMR6A ved udskiftning.



4. Rengøring af brændstoffilter

- Et tilstoppet brændstoffilter kan gøre det svært at starte og det kan øge riskikoen for nedsat motoreffekt.
- Afprøv brændstoffilteret regelmæssigt på følgende måde:
 - (1) Tag brændstoftankdæksel af. Tøm tanken og forvis Dem om, at ingen fremmedlegemer er kommet ind i tanken hhv. tilbage i tanken.
 - (2) Træk brændstoffilteret ud gennem brændstofpåfyldningsåbningen ved hjælp af et stykke ståltråd.
 - (3) Hvis brændstoffilterets overflade er snavset, rengøres den med benzin. Den benzin, der anvendes til rengøring, skal bortskaffes i overensstemmelse med den metode, der er specificeret af hver enkelt lokal myndighed. Et ekstremt forurenede filter skal skiftes ud.
 - (4) Fyld ny benzin på tanken og lås brændstoftankdækslet omhyggeligt. Reserve-brændstoffiltre kan købes på et autoriseret servicecenter.



5. Inspektion af bolte, møtrikker og skruer

- Stram alle løse skruer og møtrikker igen.
- Afprøv motoren for olie- og benzinlækager.
- Udskift defekte dele, for at sikre en sikker drift.

6. Rengøring af dele

- Hold motoren ren ved at tørre af med en klud.
- Hold altid køleribberne i motoren fri for støv og snavs. Tilstoppede køleribber medfører overophedning af motoren.

7. Udskiftning af pakninger

Udskift pakninger og tætninger, hvis motoren er skilt ad.

Alle indstillings- og vedligeholdelsesarbejder, der ikke beskrives i nærværende driftsvejledning, skal udføres af kvalificeret servicepersonale.

OPBEVARING

⚠ ADVARSEL

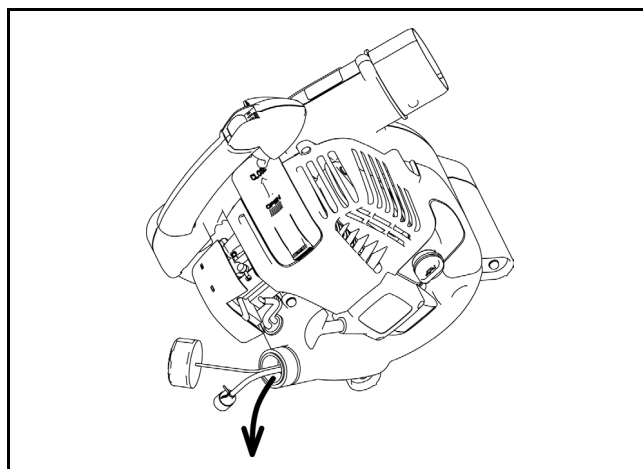
- Hvis der løber brændstof ud, skal motoren straks slukkes og afkøles.
- Forsømmelse af dette kan medføre forbrændinger og brand.

⚠ FARE

- Hvis maskinen opstaldes i et længere tidsrum, skal alt brændstof tømmes ud af brændstoftanken og karburatoren, og den skal anbringes på et tørt og rent sted.

Tanken tømmes og karburatoren køres tom for benzin på følgende måde:

- (1) Tag brændstoftankdækslet af og tøm brændstoffet fuldstændigt.
Tøm brændstoftanken fuldstændig hvis der er nogen fremmedlegemer tilbage i den.
- (2) Træk brændstoffilteret ud gennem tankdækselåbningen med en trådkrog eller spidstang.
- (3) Tryk på brændstofpumpen, indtil der ikke længere kan ses benzin. Tøm bagefter tanken på ny.
- (4) Tryk brændstoffilteret ned i tanken og skru tankdækslet fast igen.
- (5) Start motoren og lad den løbe, indtil den står stille.
- (6) Tag tændrøret af, og fyld flere dråber motorolie på gennem tændrørshullet.
- (7) Træk i startgrebet, således at motorolien kan sprede sig i cylinderen. Sæt tændrøret i igen.
- (8) Hold maskinen med håndtaget opad.
- (9) Opbevar det udtømte brændstof i en speciel beholder på et velventileret sted i skyggen.



Fejldetektering

Fejl	System	Tilstand	Årsag
Motor starter ikke eller kun med vanskeligheder	Tændsystem	Tændgnist til stede	Fejl i brændstofførsel eller i kompression, mekanisk defekt.
		Ingen tændgnist	Stop-kontakt i STOP-stilling; ledningsførselsfejl eller kortslutning, tændrør eller tændrørsstik defekt, fejlbehæftet tændingsmodul.
	Brændstofførsel	Benzintank fyldt	Forkert choker-stilling, karburator defekt, sugehoved forurennet, benzinledning knækket eller tilstoppet, forurennet benzin.
	Kompression	Ingen kompression ved træk af snoren	Toppakning defekt, krumtapakselpakninger beskadiget, cylinder- eller stempelringe beskadiget, pakning til tændrør er defekt eller passer ikke.
Problemer ved varmstart	Mekaniske fejl	Starter fungerer ikke	Defekt tilbagetræksfjeder, defekte motordele.
		Tank fyldt, tændgnist til stede	Karburator forurennet (karburator skal rengøres).
Motor starter, men standser straks igen	Brændstofførsel	Tank fyldt	Dårligt indstillet tomgang, sugehoved eller karburator forurennet. Benzintank-udluftning defekt, benzinrør afbrudt, kabel eller STOP(O)-kontakt fejlbehæftet
Utilfredsstillende effekt	Flere systemer kan være samtidig ramt	Motorens adfærd i tomgang utilfredsstillende	Luftfilter forurennet, karburator forurennet, lydpotte tilstoppet, cylinder-udblæsningsrør tilstoppet.

Artikel	Driftstid		Førdrift- tagning	Efter smøring	Daglig (10 t.)	30 t.	50 t.	200 t.	Driftsind stilling pause	Tilsvarende side
Motorolie		kontrolleres/ rengøres	○							117
		Udskiftes.					○ ^{*1}			123
Fastgørelsesanordninger (skruer, møtrikker)		kontrolleres	○							125
Benzintank		kontrolleres/ rengøres	○							–
		Resterende benzin forbruges						○ ^{*3}		125
Gashåndtag		Funktionscheck		○						–
Stop-kontakt		Funktionscheck		○						120
Rotation med lav hastighed		kontrolleres/ indstilles			○					120
Luftrenser		Rengøres.			○					124
Tændrørsstik		kontrolleres			○					124
Køleluftkanal		kontrolleres/ rengøres			○					125
Benzinrør		kontrolleres			○					125
		Udskiftes.						⊙ ^{*2}		–
Benzinfilter		kontrolleres/ rengøres				○				125
Frigang mellem luftindtag og luftafgangsventil		indstilles						⊙ ^{*2}		–
Olietilførselsrør		kontrolleres						⊙ ^{*2}		–
Motoreftersyn								⊙ ^{*2}		–
Karburator		Resterende benzin forbruges						○ ^{*3}		125

*1 Ved fabriksnyt apparat: Første olieskift efter 20 driftstimer.

*2 Til årsservice (eller efter 200 driftstimer), henvendelse til en autoriseret kundeservice.

*3 Lad motoren løbe efter tømning af benzintanken, indtil den resterende benzin i karburatoren er forbrugt.

FEJLSØGNING

Hvis apparatet ikke fungerer upåklageligt, søg først efter mulige fejl før De anmoder om reparation. Hvis der findes en fejl, foretages foranstaltningerne, der er beskrevet i denne driftsvejledning. Der må ikke udføres vedligeholdelses- eller reparationsarbejder, der ikke udtrykkeligt er beskrevet i nærværende driftsvejledning. Angående reparationer og periodiske serviceydelser bedes De rette henvendelse til Deres forhandler eller til en autoriseret kundeservice i Deres nærhed.

Fejl	Mulig årsag (funktionsfejl)	Foranstaltninger til afhjælpning
Motor kan ikke sættes i gang.	Start-indsprøjtningpumpe blev ikke betjent.	Tryk 7 til 10 gange.
	Trukket i startsnoren med for lidt kraft.	Kraftigt træk.
	Ingen benzin i tank.	Benzin påfyldes.
	Benzinfilter tilstoppet.	Rengøres.
	Knækket benzinrør.	Benzinrør bøjes lige eller udskiftes.
	Forværret kvalitet af benzin.	Benzin af ringe kvalitet kan vanskeliggøre startproceduren. Tank skal tømmes og ny benzin påfyldes. (anbefalet brugsvarighed af benzin: ca. 1 måned).
	For meget benzintilførsel.	Stil gashåndtaget på mellemhøj til høj hastighed og træk i startsnoren, indtil motoren starter. Hvis motoren stadig ikke starter, tag tændrøret ud og tør elektroderne af med en klud, og installer dem som de oprindeligt var installeret. Start derefter igen som angivet.
	Tændrørsstik løsnet.	Sæt fast på
	Snævset tændrør.	Rengøres.
	Unormal elektrodeafstand.	Afstand justeres.
	Andre andre unormale tilstande på tændrøret.	Udskiftes.
	Karburator fungerer ikke korrekt.	Kontrolleres og indleveres til reparation.
	Der kan ikke trækkes i startsnoren.	Kontrolleres og indleveres til reparation.
	Drivsystem fungerer ikke korrekt.	Kontrolleres og indleveres til reparation.
Motor standser straks igen efter start. Motor kan ikke accelereres.	Motor utilstrækkeligt opvarmet.	Udfør opvarmning
	Chokerhåndtaget er sat til "CLOSE" (lukket), selv om motoren er varmet op.	Indstil til "OPEN" (åben)
	Benzinfilter tilstoppet.	Rengøres.
	Luftrensere tilstoppet eller forurenede.	Rengøres.
	Karburator fungerer ikke korrekt.	Kontrolleres og indleveres til reparation.
	Drivsystem fungerer ikke korrekt.	Kontrolleres og indleveres til reparation.
	Løsnet gasspjældstråd	Sæt fast på
	Drivsystem fungerer ikke korrekt.	Kontrolleres og indleveres til reparation.
Motor lader sig ikke slukkes. ↓ Kør motoren i tomgang og sæt chokerhåndtaget til CLOSE (lukket)	Forbindelsesstik løsnet eller adskilt.	Sæt fast på
	Elektrisk system fungerer ikke korrekt.	Kontrolleres og indleveres til reparation.

Gå frem som følger, hvis motoren ikke vil starte ved varmstart:

Hvis De ikke finder noget, tryk gashåndtaget med omtrent 1/3 og prøv endnu engang at starte motoren.

Muito obrigado por ter escolhido o soprador Makita. Estamos muito satisfeitos de poder lhe oferecer o soprador Makita que é o resultado de um longo processo de desenvolvimento e de muitos anos de conhecimento e experiência.

Os modelos BHX2501 do soprador combinam as vantagens de uma tecnologia de ponta com um desenho ergonômico. São leves, manejáveis, compactos e sinónimos de equipamentos profissionais para uma grande variedade de aplicações.

Por favor leia, entenda e siga este folheto o qual refere-se em detalhes aos vários pontos que demonstrarão o excepcional rendimento do soprador. Isso lhe ajudará a obter com segurança os melhores resultados possíveis do seu soprador Makita.



Índice

	Página
SÍMBOLOS	128
INSTRUÇÕES DE SEGURANÇA	129
DECLARAÇÃO DE CONFORMIDADE DA CE	132
ESPECIFICAÇÕES	132
NOME DAS PARTES	133
INSTRUÇÕES DE MONTAGEM	134
ANTES DE INICIAR A OPERAÇÃO	135
FUNCIONAMENTO	137
AJUSTE DA LENTA	138
PROCEDIMENTO PARA TRABALHAR	139
INSPECÇÃO E MANUTENÇÃO	141
ARMAZENAMENTO	143
SOLUÇÃO DE PROBLEMAS	145

SÍMBOLOS

É muito importante que entenda os seguintes símbolos ao ler este manual.

	AVISO/PERIGO		Combustível (gasolina)
	Leia, entenda e siga o manual de instruções		Arranque manual do motor
	Proibido		Parada de emergência
	Não fume		Primeiros socorros
	Não acenda fogo		Reciclável
	Utilize luvas de protecção		Reciclável
	Mantenha pessoas e animais fora da área de trabalho		ON/LIGAR
	Utilize protecção para os olhos e ouvidos		OFF/DESLIGAR
	Mantenha os espectadores afastados da área		Mutilação dos dedos ou mão Pá do rotor
			Marca CE

INSTRUÇÕES DE SEGURANÇA

Instruções gerais

- Para garantir o funcionamento correcto e seguro, o utilizador deve ler, entender e seguir este manual de instruções a fim de familiarizar-se com o manuseio do soprador (1). Utilizadores sem informação suficiente colocarão em risco a sua própria segurança assim como a de terceiros em razão do manuseio inadequado do soprador.
- O empréstimo do soprador só é recomendado para pessoas que possuam experiência comprovada com a utilização de sopradores.
- Empreste-o sempre acompanhado do manual de instruções.
- Os indivíduos que utilizam o soprador pela primeira vez devem solicitar instruções básicas ao revendedor a fim de familiarizarem-se com o manuseio do mesmo.
- Crianças ou pessoas menores de 18 anos não devem ser permitidas a utilizar o soprador. Contudo, pessoas com mais de 16 anos poderão utilizar o soprador para fins de treinamento desde que supervisionadas directamente por um treinador qualificado.
- Utilize o soprador com muito cuidado e atenção.
- Opere o soprador somente quando estiver em boas condições físicas.
- Trabalhe com calma e cuidadosamente. O operador deve arcar com a responsabilidade para com terceiros.
- Nunca utilize o soprador se estiver sob a influência de álcool ou drogas (2).
- Não utilize o soprador quando estiver cansado.
- Guarde o manual de instruções para consultas futuras.

Equipamentos de protecção pessoal

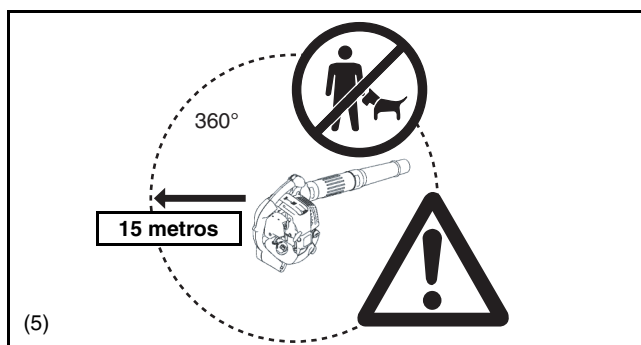
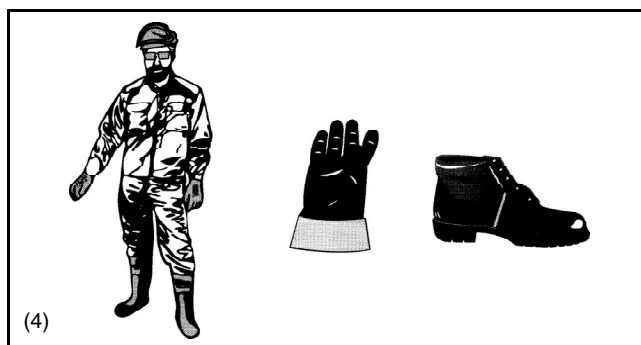
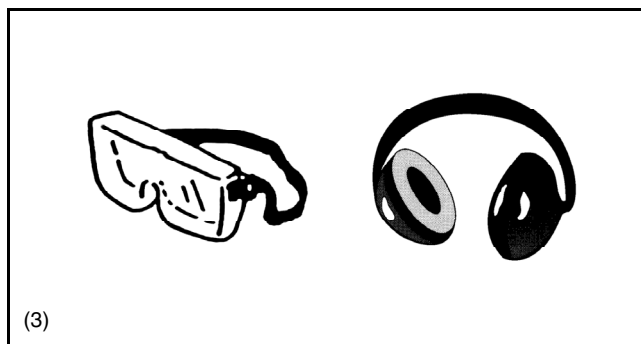
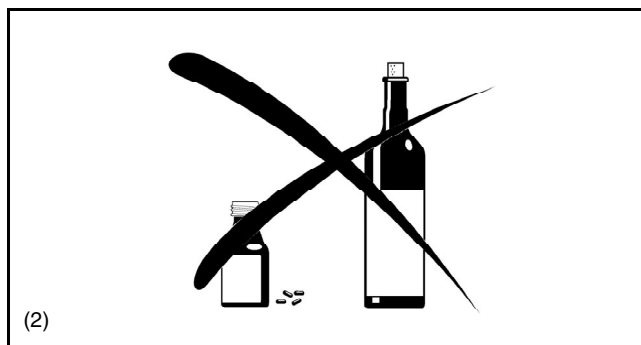
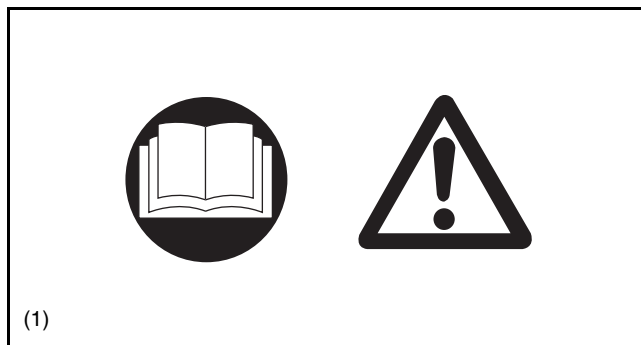
- A roupa a ser vestida deve ser prática e apropriada, ou seja, justa ao corpo sem que cause desconforto. Não use jóias, roupas largas nem cabelos compridos soltos, pois podem ser aspirados na entrada de ar.
- Para evitar ferimentos na cabeça, olhos, mãos ou pés assim como proteger a sua audição, deve-se utilizar os seguintes equipamentos e roupas de protecção durante a operação do soprador.

Preste atenção especial às normas seguintes

- As roupas de trabalho devem ser resistentes e justas, mas permitir liberdade completa de movimento. Evite jaquetas folgadas, calças boca-de sino ou com folho, lenços, cabelos longos soltos ou qualquer coisa que possa ser aspirada pela entrada de ar. Utilize um macacão de trabalho ou calças longas para proteger as pernas. Não use calças curtas. (4)
- O ruído do soprador pode prejudicar a sua audição. Utilize protectores auditivos (tampões ou protectores auriculares) para proteger os seus ouvidos. Os operadores que utilizam o soprador de forma contínua e regular devem se submeter a exames de audição periodicamente. (3)
- É recomendável utilizar luvas ao trabalhar com o soprador. É importante posicionar-se firmemente. Calce sapatos resistentes com sola antiderrapante. (4)
- A protecção ocular adequada é obrigatória. Embora a descarga seja dirigida para longe do operador, pode haver ricochetes e ressaltos durante o funcionamento do soprador. (3)
- Nunca opere o soprador sem óculos protectores ou óculos de segurança bem ajustados com protecção apropriada superior e lateral e que satisfaçam a norma ANSI Z 87.1 (ou a norma aplicável no seu país).

Arranque do soprador

- Assegure-se de que não há crianças ou outras pessoas dentro de um raio de 15 metros do local de trabalho (5) e tenha cuidado também com os animais nas proximidades da área de trabalho. Nunca utilize o soprador em uma zona urbana.
- Antes de ligar, sempre verifique se o soprador pode ser utilizado com segurança:
Verifique a segurança da alavanca do acelerador. Verifique se a alavanca do acelerador funciona com facilidade e suavemente. Verifique se o bloqueio da alavanca do acelerador funciona correctamente. Verifique se as pegas estão limpas e secas e teste o funcionamento do interruptor I-O. Mantenha as pegas limpas, sem óleo ou combustível.

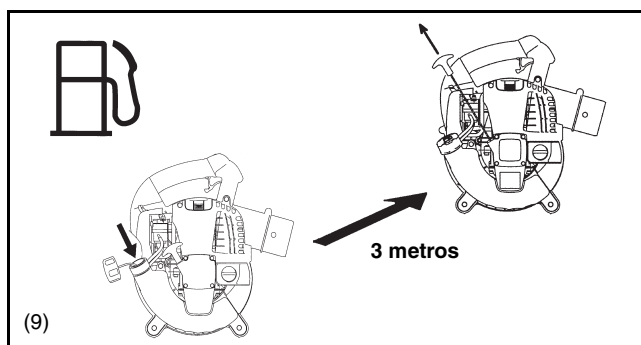
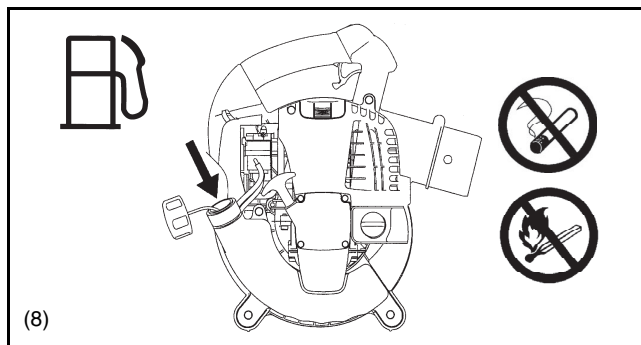
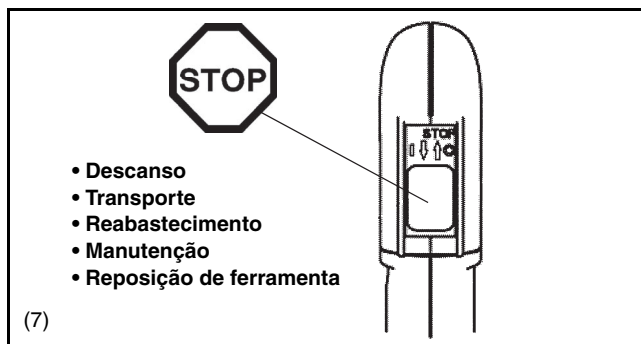
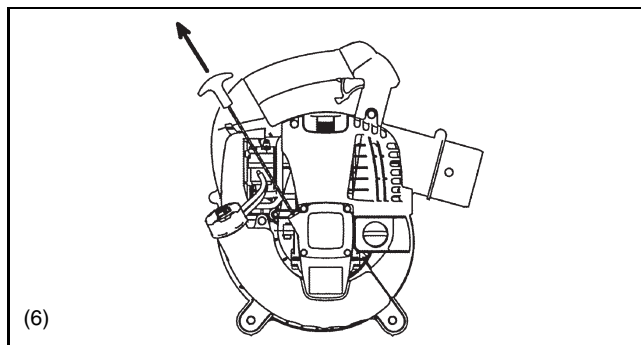


Ligue o soprador somente de acordo com as instruções.
Não utilize nenhum outro método para ligar o motor (6)!

- Utilize o soprador e as ferramentas fornecidas somente para as aplicações especificadas.
- Ligue o motor do soprador só depois da montagem completa do mesmo. O funcionamento da ferramenta só é permitido depois da instalação de todos os acessórios apropriados.
- Desligue imediatamente o motor se o mesmo apresentar qualquer problema.
- Ao trabalhar com o soprador, agarre na pega envolvendo-a firmemente com os dedos, mantendo a pega de controlo apertada entre o polegar e indicador. Mantenha a mão nesta posição para ter a máquina sob controlo o tempo todo. Certifique-se de que a pega de controlo (e extensão para o acessório do aspirador) esteja em boas condições e sem humidade, sujidade, óleo ou graxa. Assegure-se sempre de um posicionamento firme e estável.
- Utilize o soprador de forma a evitar a inalação dos gases de escape. Nunca ligue o motor dentro de ambientes fechados (risco de asfixia e envenenamento por gás). O monóxido de carbono é um gás inodoro. Assegure-se sempre de que haja ventilação adequada.
- Desligue o motor quando for descansar ou quando deixar o soprador sem vigilância. Coloque-o num local seguro a fim de prevenir riscos a terceiros, incendiar materiais inflamáveis ou danificar a máquina.
- Nunca deixe o soprador quente sobre relva seca ou sobre qualquer material inflamável.
- Todas as peças e equipamentos de protecção fornecidos com a máquina devem ser utilizados durante a operação.
- Nunca ligue o motor se o tubo de escape apresentar algum defeito.
- Desligue o motor durante o transporte (7).
- Posicione o soprador de maneira segura durante o transporte de carro ou caminhão a fim de evitar fugas de combustível.
- Quando transportar o soprador, assegure-se de que o tanque de combustível esteja completamente vazio.

Reabastecimento

- Desligue o motor antes de reabastecer (7), mantenha-se afastado de chamas abertas (8) e não fume.
- Evite o contacto de produtos petrolíferos com a pele. Não inale vapores de combustível. Utilize sempre luvas protectoras durante o reabastecimento. Troque e lave as roupas protectoras regularmente.
- Tome cuidado para não derramar combustível ou óleo para evitar a contaminação de solo (protecção do ambiente). Limpe o soprador imediatamente se respingar combustível sobre o mesmo. Deixe os panos secarem antes de colocá-los em recipientes apropriados e cobertos a fim de prevenir combustão espontânea.
- Evite qualquer contacto do combustível com as suas roupas. Troque de roupa imediatamente se respingar combustível nas mesmas (risco de incêndio).
- Inspeccione a tampa do combustível regularmente assegurando-se de que a mesma fique fechada com firmeza.
- Aperte cuidadosamente o parafuso de bloqueio do tanque de combustível. Mude de lugar antes de ligar o motor (pelo menos 3 metros de distância do lugar do reabastecimento) (9).
- Nunca reabasteça em ambientes fechados. O vapor de combustível acumula-se ao nível do solo (risco de explosão).
- Transporte e armazene combustível somente em recipientes aprovados. Assegure-se de que crianças não tenham acesso ao combustível armazenado.
- Não tente reabastecer com o motor quente ou em funcionamento.



Método de funcionamento

- Utilize o soprador somente sob boas condições de iluminação e visibilidade. Durante as estações frias do ano tenha cuidado com áreas escorregadias ou molhadas, com gelo e neve (risco de escorregar).
Assegure-se sempre de um posicionamento seguro.
- Nunca trabalhe sobre superfícies instáveis ou terrenos inclinados.
- Para reduzir o risco de ferimentos pessoais, não direcione a corrente de ar a espectadores, pois a alta pressão do fluxo de ar pode prejudicar os olhos e atirar objectos pequenos em alta velocidade.
- Nunca insira nenhum objecto na entrada de ar da máquina nem no bocal do soprador. Isso poderá danificar a roda da ventoinha e provocar ferimentos graves no operador ou espectadores em consequência do objecto ou peças atiradas em grande velocidade.
- Preste atenção à direcção do vento, a saber, não trabalhe contra o vento.
- A fim de reduzir o risco de tropeço ou perda de controlo, não caminhe para trás quando trabalha com a máquina.
- Sempre desligue o motor antes de limpar, fazer manutenção ou trocar peças do soprador.

Instruções de manutenção

- Respeite o meio ambiente. Opere o soprador com o mínimo de ruído e poluição possível. Verifique particularmente o ajuste correcto do carburador.
- Limpe o soprador em intervalos regulares e verifique se todos os parafusos e porcas encontram-se firmemente apertados.
- Nunca faça a manutenção nem guarde o soprador perto de chamas expostas, faíscas, etc. (11).
- Guarde sempre o soprador com o tanque de combustível vazio em um recinto trancado e com boa ventilação.

Cumpra e siga todas as instruções relevantes para a prevenção de acidentes publicadas pelas associações comerciais e pelas companhias de seguro. Não faça nenhuma modificação no soprador, pois isso colocará sua segurança em risco.

A realização de trabalhos de manutenção ou reparos pelo utilizador se limita às atividades descritas neste manual de instruções. Quaisquer outros serviços devem ser realizados por agentes de serviço autorizado.

Utilize somente peças de substituição e acessórios originais fornecidos pela Makita.

A utilização de acessórios e ferramentas não autorizados eleva o risco de acidentes e ferimentos. A Makita não se responsabilizará por acidentes ou danos causados pela utilização de acessórios ou extensões não autorizados.

Primeiros socorros

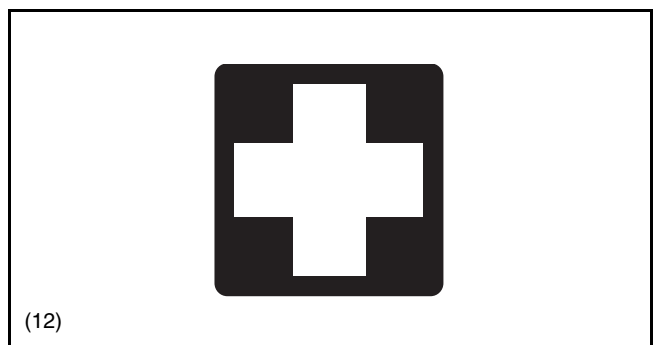
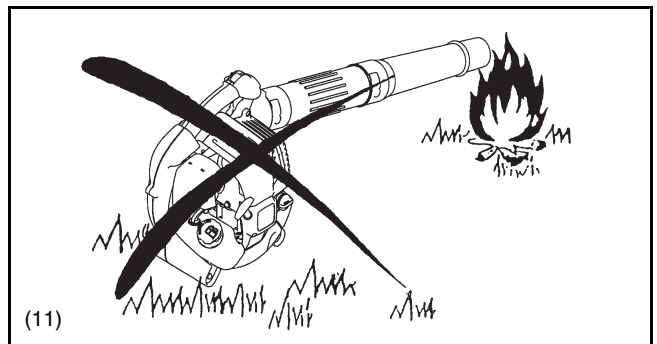
Na eventualidade de um acidente, certifique-se de que tenha à disposição um estojo completo de primeiros socorros nas proximidades do local de trabalho. Substitua imediatamente qualquer item que tenha retirado do estojo de primeiros socorros.

Quando pedir ajuda, forneça as seguintes informações:

- O lugar do acidente
- O que aconteceu
- O número de pessoas feridas
- A gravidade dos ferimentos
- Seu nome

Embalagem

O soprador Makita é entregue em uma caixa de papelão protectora a fim de evitar danos durante o transporte. O papelão é uma matéria-prima básica sendo portanto reutilizável e próprio para reciclagem (reciclagem de papel).



DECLARAÇÃO DE CONFORMIDADE DA CE

Apenas para países europeus

A declaração de conformidade da CE está incluída no Anexo A deste manual de instruções.

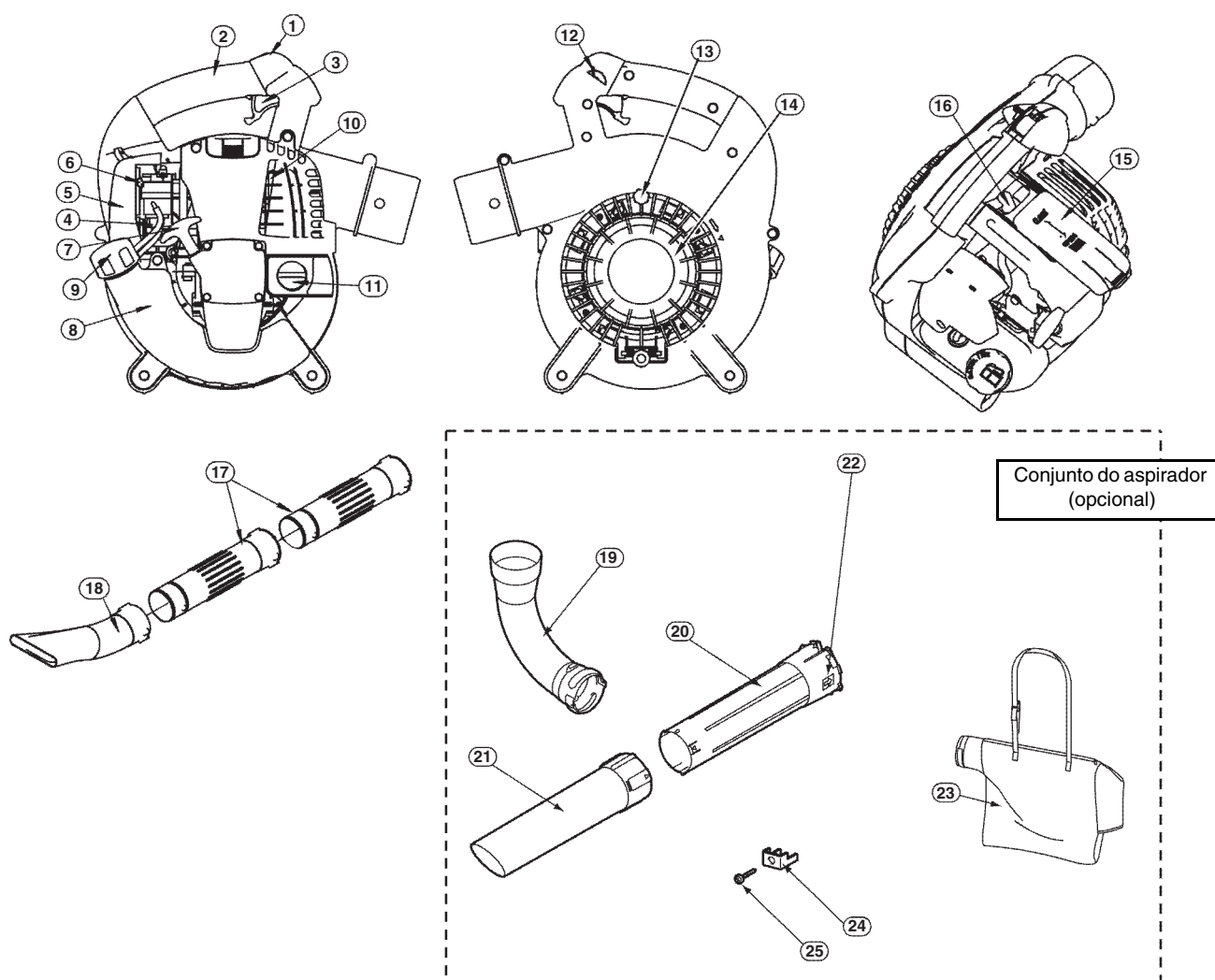
ESPECIFICAÇÕES

Modelo		BHX2501	BHX2501 com o conjunto do aspirador	
Peso (sem o tubo)	(kg)	4,5		
Dimensões (sem o tubo C x L x A)	(mm)	350 x 231 x 368		
Revoluções máx. do motor	(min ⁻¹)	7.800		
Velocidade da lenta	(min ⁻¹)	3.500		
Deslocamento	(mL)	24,5		
Combustível		Gasolina de carro		
Capacidade do tanque de combustível	(L)	0,52		
Óleo do motor		Óleo SAE 10W-30 de classificação API, classe SF ou mais alta (óleo para motor de 4 tempos para automóveis)		
Volume do óleo do motor	(L)	0,08		
Carburador (tipo diafragma)		WALBRO WYL		
Sistema de ignição		Ignição em estado sólido		
Vela de ignição		NGK CMR6A		
Distância entre os eléctrodos	(mm)	0,7 - 0,8		
Vibração conforme ISO22867 (*mão direita/mão esquerda)	a _{hv eq}	(m/s ²)	9,3	8,1/11,1*
	Variabilidade K	(m/s ²)	0,5	0,5/1,3*
Nível médio de pressão do som conforme ISO22868	L _{PA eq}	dB(A)	90,8	92,8
	Variabilidade K	dB(A)	1,4	3,8
Nível médio de potência do som conforme ISO22868	L _{WA eq}	dB(A)	104,4	104,3
	Variabilidade K	dB(A)	1,6	1,5

Notas:

1. Utilize o óleo e vela de ignição especificados pela Makita.
2. As especificações estão sujeitas a alterações sem aviso prévio.

NOME DAS PARTES



NOME DAS PARTES	NOME DAS PARTES	NOME DAS PARTES	NOME DAS PARTES
1. Interruptor de parada	8. Tanque de combustível / Pega auxiliar	15. Capa da vela de ignição	22. Marca da seta
2. Pega principal	9. Tampa do tanque de combustível	16. Vela de ignição	23. Saco do pó
3. Alavanca do gatilho	10. Silencioso	17. Tubo do soprador	24. Braçadeira
4. Bomba de escorva	11. Tampa do óleo	18. Bocal do soprador	25. Parafuso
5. Tampa do filtro de ar	12. Botão de bloqueio do acelerador	19. Cotovelo	
6. Alavanca do afogador	13. Parafuso	20. Tubo do aspirador A	
7. Puxador de arranque	14. Protector	21. Tubo do aspirador B	

INSTRUÇÕES DE MONTAGEM



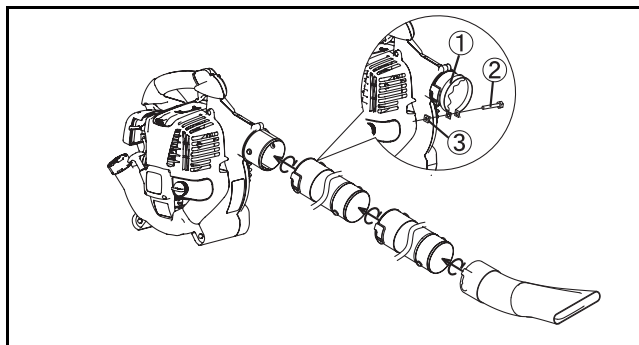
PRECAUÇÃO: Antes de realizar qualquer serviço no soprador, sempre desligue o motor e retire os conectores da vela de ignição.

Utilize sempre luvas de protecção!

PRECAUÇÃO: Ligue o soprador somente depois da montá-lo completamente.

1. MONTAGEM DOS TUBOS DO SOPRADOR

- 1) Alinhe as ranhuras do tubo com as cavilhas na armação do soprador e deslize o tubo na armação.
- 2) Rode o tubo do soprador para a direita para prender no lugar.
- 3) Coloque o grampo ① na abertura do tubo do soprador. Aperte firmemente com o parafuso ② e porca ③.



2. MONTAGEM DAS EXTENSÕES DO ASPIRADOR

1) Instalação do tubo do aspirador (bocal)



- (1) Desaperte o parafuso ④ e abra o protector ⑤.

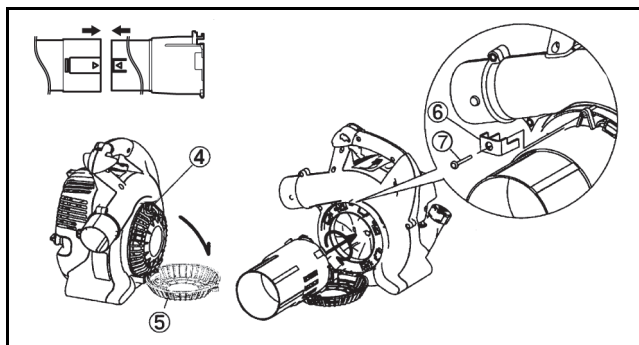


AVISO!

Ao utilizar como soprador, sempre feche o protector ⑤ e aperte o parafuso ④ antes da operação. Se assim não for, o rotor exposto pode prender o corpo ou as roupas e provocar ferimentos sérios.

Utilize sempre os tubos A e B do aspirador juntos. Caso contrário, o contacto com o rotor pode provocar ferimentos sérios se o operador tentar remover detritos presos no tubo.

- (2) Alinhe a marca “▲” nos tubos A e B do aspirador. Introduza o tubo do aspirador A no tubo B até prender os três fechos.
- (3) Alinhe a seta  indicada no tubo do aspirador A com a marca “●” indicada no soprador. Introduza o tubo do aspirador no soprador.
- (4) Rode o tubo do aspirador até alinhar  com a marca “▼” indicada no soprador para prender o tubo do aspirador.
- (5) Prenda o tubo do aspirador no soprador com firmeza utilizando o parafuso ⑦ e a braçadeira ⑥. Não aperte demais o parafuso para evitar a quebra de peças.



Precaução: Não realize a operação de aperto em (5) acima, se o soprador for utilizado num país ou região em que a marca CE não é aplicável.

Nota: O motor não liga se o tubo do aspirador não estiver completamente instalado.

2) Instalação do cotovelo e saco do pó

- (1) Abra o fecho do saco do pó.
- (2) Insira o lado estriado do cotovelo dentro do saco do pó, retire-o para fora através da entrada do saco.
- (3) Prenda o cotovelo com o fixador de gancho e laçada em volta do local indicado na figura.

PRECAUÇÃO

Instale o saco do pó afastado do lado estriado do cotovelo. Se o saco do pó for colocado junto do motor, os gases de escape podem queimar o saco do pó.

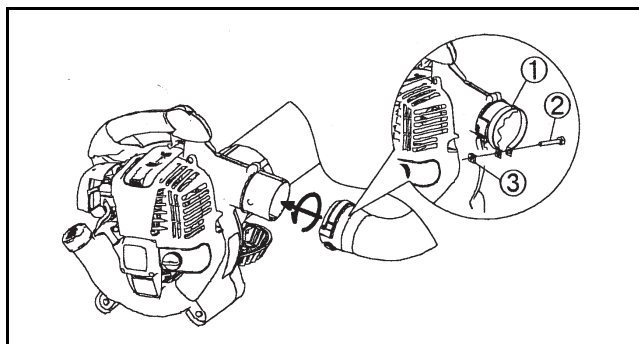
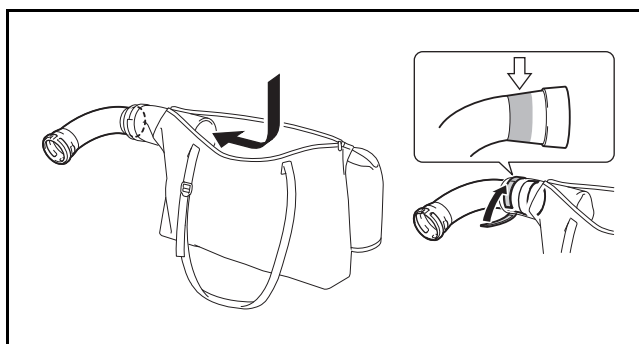
- (4) Instale o cotovelo no soprador.
- (5) Coloque o grampo ① ao redor da abertura do cotovelo. Aperte firmemente com o parafuso ② e a porca ③.

Precaução: Não realize a operação de aperto em (5) acima, se o soprador for utilizado num país ou região em que a marca CE não é aplicável.



AVISO!

Não tente apanhar pedaços grandes de madeira, metal, vidro, pedras, líquidos, cigarros acesos, fogo de artifício ou artigos semelhantes.



ANTES DE INICIAR A OPERAÇÃO

1. Inspeção e reabastecimento do óleo do motor

(1) Realize o procedimento seguinte com o motor frio.

Certifique-se de que o motor esteja em uma superfície plana horizontal, como ilustrado na Figura 1.

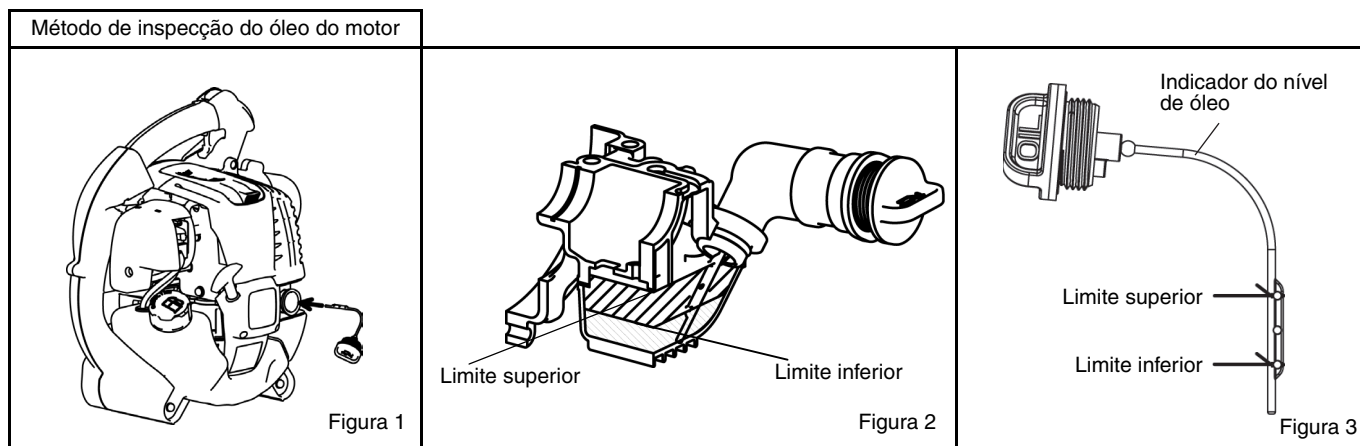
- Inspeção: Retire a tampa do óleo. Limpe o indicador do nível de óleo. Reinstale a tampa do óleo (Figura 2) e retire. Verifique se o óleo está entre o limite inferior e superior do indicador.
- Reabastecimento: Se, depois da inspeção, o óleo estiver abaixo do limite inferior, adicione óleo através do bocal de onde retirou a tampa. Consulte a Figura 4 para posicionar o motor para reabastecer.

(2) Poderá ser necessário reabastecer o óleo aproximadamente a cada 10 horas de utilização (cada 10 reabastecimentos).

(3) Se notar alteração na cor do óleo ou se ficar sujo, troque o óleo. (Para informações sobre o intervalo e o método de troca, consulte a pág. 141)

Óleo recomendado: Óleo SAE 10W-30 de classificação API, classe SF ou mais alta (óleo para motor de 4 tempos para automóveis)

Volume de óleo: Aprox. 0,08 L

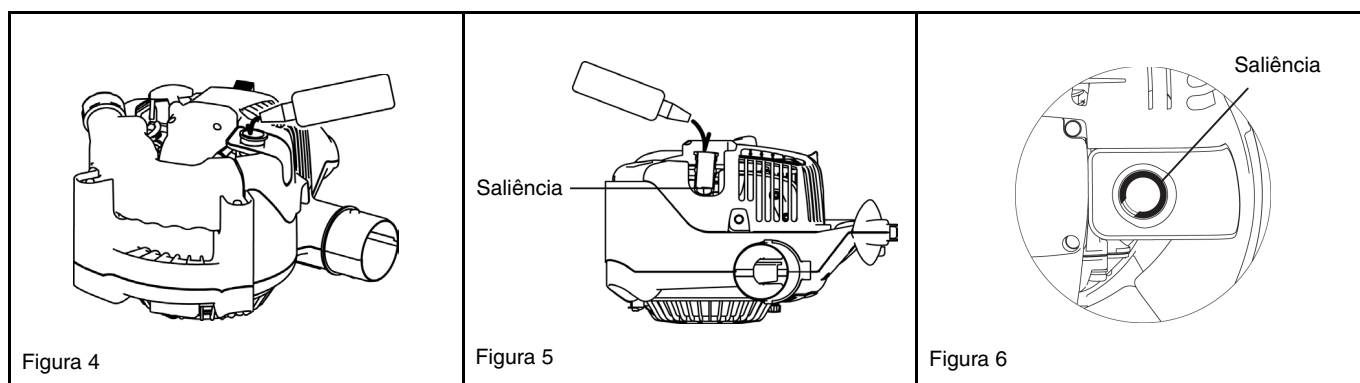


NOTA

- Se não posicionar o motor sobre uma superfície horizontal como ilustrado na Figura 1, a indicação do nível de óleo pode ser incorrecta.
- Se abastecer acima do limite, o óleo pode ficar contaminado ou pegar fogo com fumaça branca.

Troca do óleo (medidor de óleo)

- Limpe o pó ou sujidade ao redor do bocal de reabastecimento e retire o medidor de óleo.
- Mantenha o medidor de óleo limpo, sem areia ou pó. Se assim não for, a areia ou pó aderidos ao medidor de óleo podem provocar a circulação irregular do óleo ou desgastar as peças do motor, o que pode resultar em problemas de funcionamento.
- Para conservar o medidor de óleo limpo recomenda-se colocá-lo de lado sobre a tampa do motor.



Depois de reabastecer

- Limpe com um pano o óleo derramando.

2. Abastecimento de combustível



AVISO

- Observe os seguintes pontos ao reabastecer a ferramenta para evitar ignição ou incêndio:
 - Abasteça combustível em um lugar longe de fogo. Mantenha-se afastado de fogo, (cigarros, etc.) quando abastecer.
 - Desligue o motor e espere arrefecer antes de reabastecer.
 - Abra a tampa do tanque devagar, pois o combustível pode vazar devido à pressão interna.
 - Tome cuidado para não derramar o combustível. Limpe bem qualquer combustível derramado.
 - Abasteça em um lugar com boa ventilação.
- Manuseie o combustível com muito cuidado.
 - O combustível pode causar alergia ou inflamação se entrar em contacto com a pele ou os olhos. Consulte um médico especialista imediatamente se notar qualquer anormalidade física.
- NÃO coloque óleo no tanque de combustível.

TEMPO DE ARMAZENAMENTO DE COMBUSTÍVEL

Combustíveis devem ser consumidos dentro de um período de 4 semanas, mesmo que sejam guardados em recipientes especiais na sombra em área bem ventilada.

Se não utilizar um recipiente especial ou se o mesmo não estiver coberto, o combustível pode se deteriorar em um dia.

Armazenamento da máquina e tanque de abastecimento

- Mantenha a máquina e o tanque em um lugar fresco e fora da luz solar directa.
- Nunca guarde o combustível dentro do carro.

COMBUSTÍVEL

O motor é de quatro tempos. Assegure-se de utilizar gasolina de carro (gasolina comum ou especial).

Pontos relacionados ao combustível

- Nunca utilize gasolina misturada com óleo de motor. Caso contrário, ocorrerá um acúmulo excessivo de carbono ou problemas mecânicos.
- A utilização de óleo deteriorado provocará irregularidades no arranque.

Quando reabastecer, lembre-se de desligar o motor e verificar se está frio.

REABASTECIMENTO

- Afrouxe um pouco a tampa do tanque para libertar a pressão do tanque.
- Retire a tampa e reabasteça, inclinando o tanque de forma que o bocal fique virado para cima para deixar sair o ar. (NÃO encha o tanque até a boca.)
- Feche bem a tampa do tanque depois de reabastecer.
- Se a tampa estiver danificada ou com defeito, substitua-a.
- A tampa do tanque se desgasta com o tempo. Substitua a cada dois ou três anos.
- NÃO coloque combustível no bocal de abastecimento de óleo.

FUNIONAMENTO



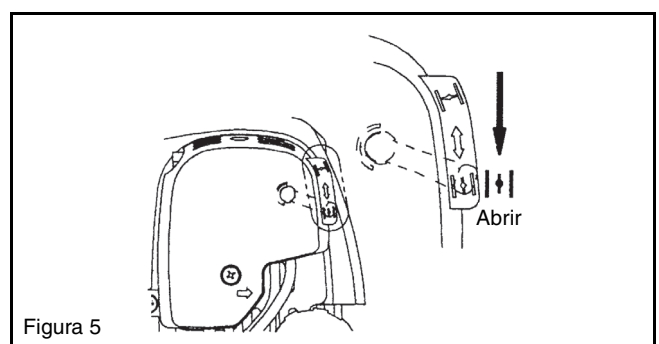
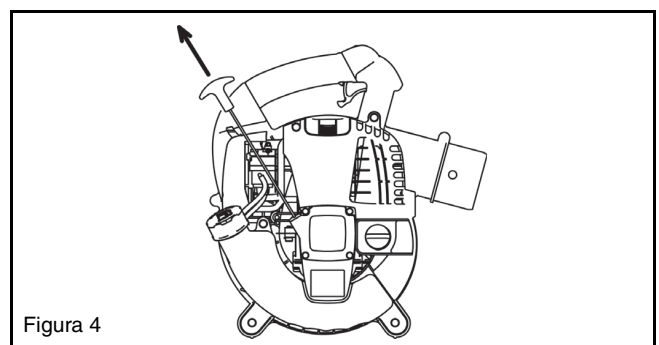
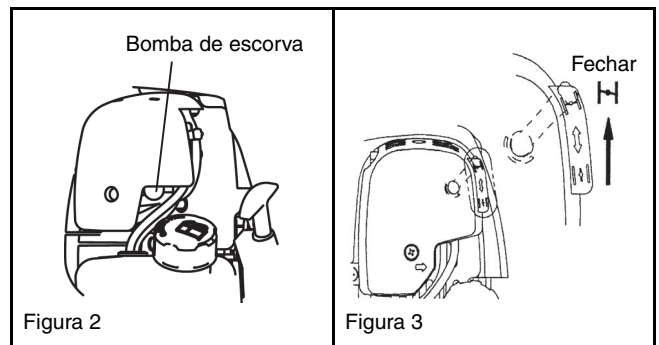
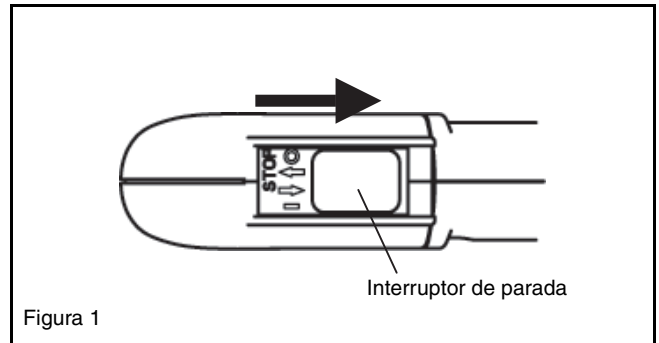
1. Modo de arranque

AVISO

- Não tente ligar o motor no local onde abasteceu combustível.
 - Pode causar ignição ou incêndio. Ligue o motor a uma distância de pelo menos três metros do local.
- O gás de exaustão do motor é tóxico. Não funcionar o motor em locais com ventilação insuficiente, tal como em um túnel, edifício, etc.
 - Funcionar com o motor num local sem ventilação adequada pode provocar intoxicação por gás de exaustão.
- Se depois do arranque notar qualquer anormalidade no som, odor ou vibração, desligue imediatamente o motor e faça uma inspeção.
 - Pode ocorrer um acidente se continuar a funcionar o motor sem resolver o problema.
- Confirme que o motor se desliga ao colocar o interruptor de parada na posição "O".

1) Quando o motor estiver frio ou depois de reabastecer

- (1) Coloque a máquina em um lugar plano.
- (2) Coloque o interruptor de parada na posição "1" (Figura 1).
- (3) Continue a accionar a bomba de escorva até o combustível entrar na mesma (Figura 2).
 - Normalmente, o combustível entra no carburador com 7 a 10 puxões.
 - Se accionar demais a bomba de escorva, o excesso de gasolina volta para o tanque.
- (4) Levante a alavanca do afogador para a posição de fechado (Figura 3).
- (5) Agarre na pega principal com a mão esquerda para evitar que o motor se movimente.
- (6) Puxe cuidadosamente o puxador de arranque até sentir uma resistência. Retorne o puxador de arranque uma vez e, então, puxe-o com força (Figura 4).
 - Nunca puxe a corda até o fim.
 - Uma vez puxado, não solte o puxador de arranque imediatamente. Segure o puxador de arranque até que o mesmo volte ao ponto inicial.
- (7) Quando o motor ligar, abra a alavanca do afogador (Figura 5).
 - Abra a alavanca do afogador gradualmente enquanto observa o funcionamento do motor. Certifique-se de abrir a alavanca do afogador completamente no final.
 - Nunca abra a alavanca do afogador de repente durante o frio ou quando motor estiver frio. Caso contrário, o motor poderá parar.
- (8) Continue esquentando o motor por 2 a 3 minutos.
- (9) O motor estará suficientemente aquecido quando houver uma ligeira aceleração de rotações baixas para aceleração máxima.



NOTA

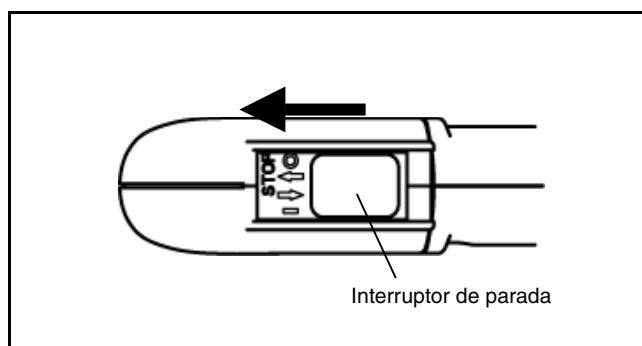
- O motor poderá ser danificado se mover a alavanca do afogador para além da posição "CLOSE".
- Se o motor arrancar e parar, retorne a alavanca para a posição "OPEN" e puxe o puxador várias vezes para ligar o motor outra vez.
- Se continua a puxar o puxador várias vezes com a alavanca do afogador na posição "CLOSE", será mais difícil o arranque do motor devido ao excesso de combustível.
- No caso de excesso de combustível, retire a vela de ignição e puxe o puxador algumas vezes rapidamente para eliminar o combustível desnecessário. Seque o eléctrodo da vela de ignição.
- Se a válvula do acelerador não voltar para a posição onde faz contacto com o parafuso regulador de marcha lenta mesmo com a alavanca do acelerador ajustada em baixa velocidade, ajuste o enganche do cabo de controlo a fim de que a válvula volte correctamente.

2) Quando o motor estiver quente

- (1) Coloque o motor sobre uma superfície plana.
- (2) Accione a bomba de escorva várias vezes.
- (3) Confirme que a alavanca do afogador está aberta.
- (4) Agarre na pega principal com a mão esquerda para evitar que o motor se movimente.
- (5) Puxe cuidadosamente o puxador de arranque até sentir uma resistência. Retorne o puxador de arranque uma vez e, então, puxe-o com força.
- (6) Se o arranque do motor for difícil, abra a válvula do acelerador cerca de um terço (1/3).

2. Desligar

Liberte a alavanca do gatilho para reduzir a velocidade do motor e coloque o interruptor de parada na posição "O". (Desbloqueie a alavanca do acelerador se estiver a bloquear a alavanca do gatilho na posição de completamente aberto.)



AJUSTE DA LENTA



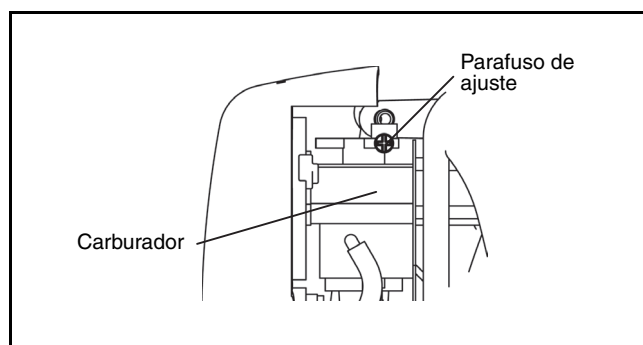
⚠ PERIGO

O carburador vem ajustado de fábrica. Não ajuste além da regulação do ponto morto. Se for necessário reajustá-lo, entre em contacto com um agente de serviço autorizado.

Verificação da rotação de baixa velocidade

Regule a rotação de baixa velocidade em 3500 rpm (min^{-1}).

- Se for necessário alterar a velocidade de rotação, regule o parafuso de ajuste com uma chave Phillips.
- Rode o parafuso de ajuste para a direita para aumentar a velocidade da motor. Rode-o para a esquerda para diminuir a velocidade.



Prevenção contra congelamento do carburador

OBSERVAÇÃO

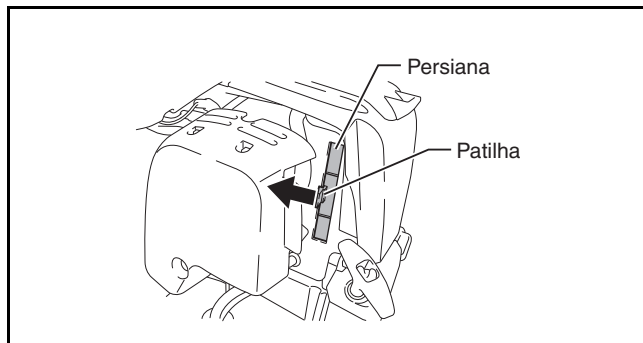
Quando a temperatura ambiente é superior a 10 °C, feche sempre a persiana (definição normal).
Caso contrário, o motor pode ficar danificado por sobreaquecimento.

Quando a temperatura ambiente é baixa e a humidade é alta, o vapor de água pode congelar dentro do carburador e o motor funcionar de forma irregular (congelamento do carburador).

Se necessário, altere a definição da persiana da seguinte forma.

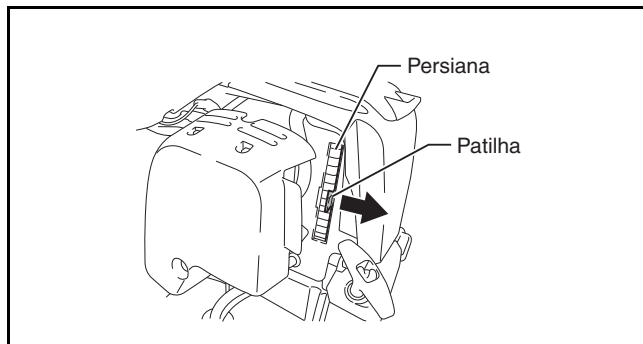
• Temperatura ambiente superior a 10 °C

Segure a patilha da persiana e deslize-a para a esquerda (posição de fechada).



• Temperatura ambiente a 10 °C ou inferior

Segure a patilha da persiana e deslize-a para a direita (posição de aberta).

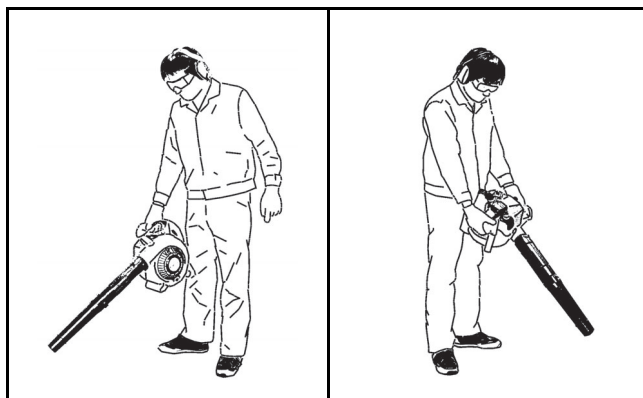


PROCEDIMENTO PARA TRABALHAR



1. Operação do soprador

- Segure a máquina com firmeza durante a operação.
- Aponte o bocal para o objecto a ser assoprado e prima a alavanca do gatilho.
- Prima a alavanca do gatilho até o fim, mantenha premido o botão de bloqueio do acelerador e liberte o dedo da alavanca do gatilho para bloqueá-la em aceleração máxima.
- Prima a alavanca do gatilho outra vez para desbloquear o acelerador.
- A parte inferior do tanque de combustível funciona como uma pega auxiliar que possibilita a operação com as duas mãos. Nesse caso, agarre na pega auxiliar com a mão direita.



2. Colecta de pó

AVISO

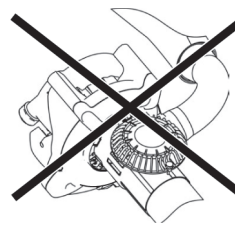
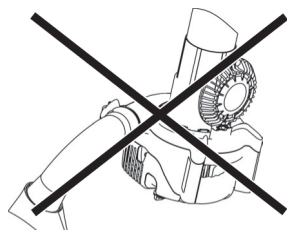
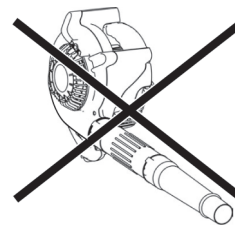
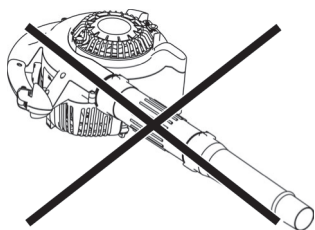
- Não deixe que querosene, gasolina ou cigarro aceso seja aspirado pela máquina.
 - Isso pode provocar incêndio.
- Não permita que objectos estranhos como pedaços grandes de madeira, metal, vidro, pedras, etc. sejam aspirados pela máquina.
 - Isso pode provocar avarias.
- Se o saco do pó ficar cheio demais, o pó pode vaziar no lado do motor. Esvazie o saco de pó antes que fique completamente cheio.
 - Isso pode provocar incêndio.

- Pendure a alça do saco do pó no ombro e ajuste-a para facilitar a operação.
- Assegure-se de que o saco do pó não está torcido e prima a alavanca do gatilho para iniciar a colecta do pó.
- Quando o saco do pó estiver cheio, retire-o da máquina e abra o fecho para o esvaziar.



NOTA

Se operar o soprador com o protector virado para cima ou a pega principal para abaixo, pode sair fumaça branca e ocorrer contaminação ou fuga de óleo.





PERIGO

- Antes de realizar a inspeção e manutenção, desligue o motor e espere esfriar. Retire a vela de ignição e o cachimbo da vela.
- Se tentar realizar a inspeção ou manutenção imediatamente depois de desligar o motor ou com o cachimbo da vela colocado, pode provocar um acidente ou queimaduras no operador devido a um arranque inesperado.
- Depois de concluir a inspeção e manutenção, certifique-se de que todas as peças estão instaladas. Só então, prossiga com a operação.

1. Troca de óleo do motor

Óleo de motor deteriorado diminui substancialmente a duração das peças deslizantes e rotativas. Assegure-se de verificar o período de troca e a quantidade.

PERIGO

- Em geral, a unidade principal do motor e o óleo permanecem quentes depois de desligar o motor. Ao trocar o óleo, certifique-se de que a unidade principal do motor e o óleo estejam arrefecidos. Caso contrário, há perigo de queimaduras. Depois de desligar o motor, espere um tempo suficiente para que o óleo volte para o tanque para garantir uma indicação precisa do nível de óleo.
- Se abastecer acima do limite, o óleo pode ficar contaminado ou pegar fogo com fumaça branca.

Intervalo de troca: Depois de 20 horas de funcionamento e posteriormente a cada 50 horas de funcionamento

Óleo recomendado: Óleo SAE10W-30 de classificação API, classe SF ou mais alta (óleo para motor de 4 tempos para automóveis)

Durante a troca, proceda como a seguir:

- (1) Confirme que a tampa do tanque está bem apertada.
- (2) Retire a tampa do óleo.
 - Mantenha o medidor de óleo limpo, sem poeira ou sujidade.
- (3) Incline a máquina na sequência ilustrada na Figura 1.
 - Drene o óleo num recipiente.
- (4) Oriente a máquina como mostrado na Figura 2 e reabasteça o óleo até a saliência dentro do tubo.
- (5) Depois de reabastecer, aperte o medidor de óleo com firmeza. Se não o apertar o suficiente, pode ocorrer fuga de óleo.

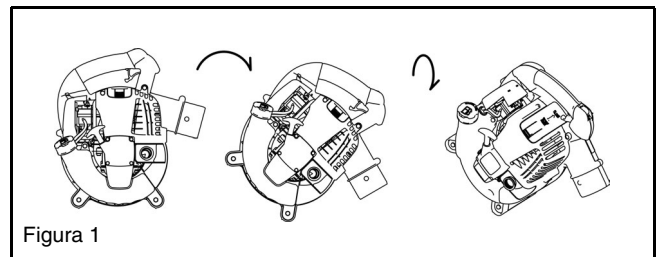


Figura 1

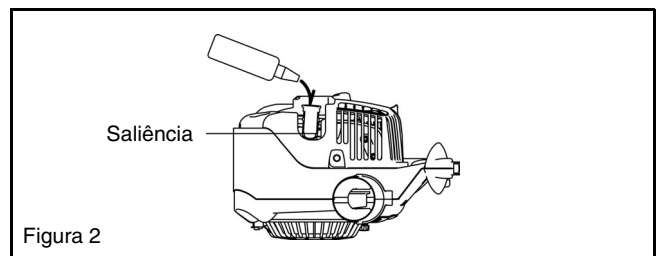


Figura 2

Pontos relacionados à troca de óleo do motor

- Nunca deite o óleo usado na rede de esgoto, no lixo nem no solo. A eliminação de óleo é regulamentada por lei. Siga sempre as leis e regulamentos relevantes ao eliminar o óleo. Para o esclarecimento de dúvidas, contacte o agente de serviço autorizado.
- O óleo se deteriora mesmo quando mantido sem usar. Realize inspeções e trocas de óleo em intervalos regulares (troque o óleo a cada 6 meses).

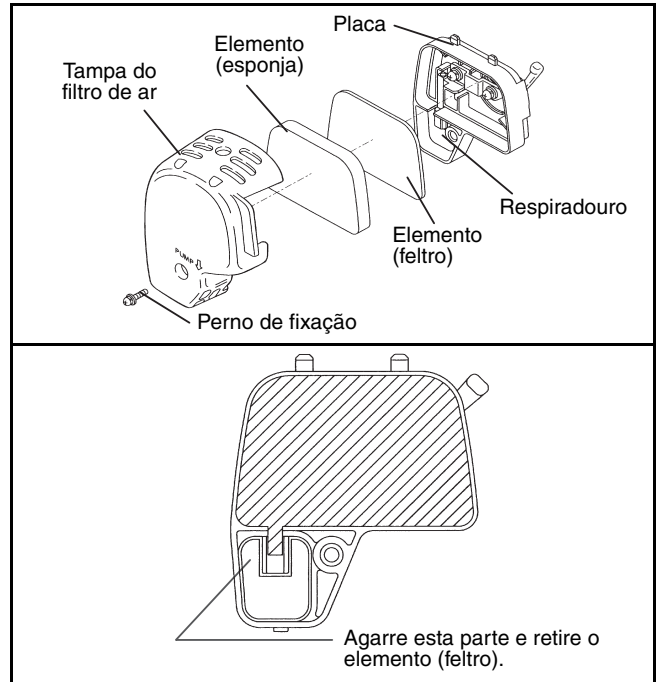
2. Limpeza do filtro de ar



AVISO: MATERIAIS INFLAMÁVEIS ESTRITAMENTE PROIBIDOS

Intervalo de limpeza e inspecção: diariamente (cada 10 horas de funcionamento)

- (1) Retire os pernos de fixação da tampa do filtro de ar.
- (2) Puxe o lado inferior da tampa e retire-a.
- (3) Rode a alavanca do afogador para a posição de totalmente fechado e não deixe que entre pó ou sujeira no carburador.
- (4) Se óleo se aderir ao elemento (esponja), esprema-o muito bem.
- (5) No caso de muita contaminação:
 - Retire o elemento (esponja), submerja-o em água morna ou em detergente suave diluído com água e seque-o completamente.
 - Limpe o elemento (feltro) com gasolina e seque-o completamente.
- (6) Seque o elemento completamente antes de o instalar. Se o elemento não estiver seco o suficiente, o motor pode não arrancar facilmente.
- (7) Limpe com um pano todo o óleo ao redor da tampa do filtro de ar e respiradouro da placa.
- (8) Imediatamente depois de terminar a limpeza, instale a tampa do filtro de ar e prenda-a com os pernos de fixação. (Ao montar, coloque primeiro a garra superior e depois a garra inferior.)

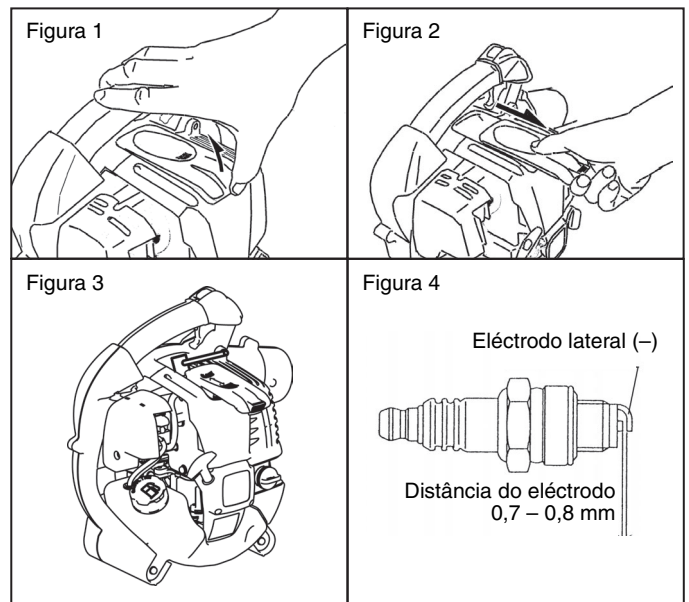


PERIGO

- Limpe o elemento várias vezes ao dia se houver poeira excessiva.
- Se continuar o funcionamento sem limpar o óleo do elemento, o óleo dentro do filtro de ar pode jorrar para fora e provocar contaminação do mesmo.

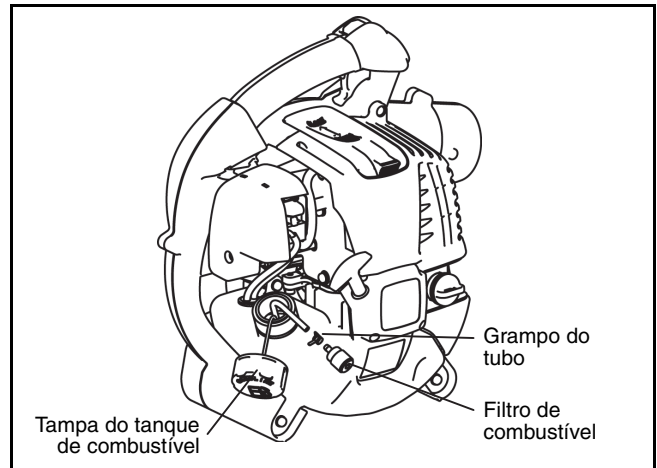
3. Inspeção da vela de ignição

- (1) Abrir e fechar a capa da vela de ignição
Para abrir a capa, coloque os dedos na pega principal e na saliência da capa da vela (Figura 1). Empurre a saliência para cima e deslize a capa na direcção "OPEN" (Figura 2). Para fechar a capa, deslize-a na direcção "CLOSE" até que a unha embaixo da saliência da capa da vela fique em cima da tampa do motor. Por fim, pressione a saliência.
- (2) Retirar a vela de ignição
Utilize a chave fornecida para retirar ou instalar a vela de ignição (Figura 3).
- (3) Inspeção da vela de ignição
A distância entre os dois eléctrodos da vela de ignição é 0,7 a 0,8 mm (Figura 4). Ajuste na distância correcta se esta for muito grande ou muito pequena.
Limpe cuidadosamente ou troque a vela de ignição se houver acumulação de carbono ou contaminação.
- (4) Troca da vela de ignição
Utilize NGK-CMR6A para trocar.



4. Limpeza do filtro de combustível

- Um filtro de combustível sujo poderá dificultar o arranque ou impedir o aumento de velocidade do motor.
- Inspeccione o filtro de combustível regularmente como a seguir:
 - (1) Retire a tampa do tanque e esvazie-o drenando todo o combustível. Verifique se não há nenhuma matéria estranha dentro. Se houver, limpe completamente.
 - (2) Retire o filtro de combustível utilizando um arame através da porta de enchimento de combustível.
 - (3) Se a superfície do filtro estiver suja, limpe com gasolina. A gasolina utilizada para a limpeza deve ser eliminada de acordo com os métodos especificados pelas autoridades locais. Troque o filtro se estiver excessivamente sujo.
 - (4) Volte a colocar o filtro de combustível no tanque e feche a tampa apertando com firmeza. Para a troca, entre em contacto com o revendedor ou agente de serviço autorizado.



5. Inspeção dos pernos, porcas e parafusos

- Reaperte os pernos, porcas, etc. frouxos.
- Verifique se há fuga de óleo ou de combustível.
- Troque as peças danificadas por novas para um funcionamento com segurança.

6. Limpeza das peças

- Mantenha o motor sempre limpo utilizando um pano para limpar.
- Mantenha as aletas do cilindro sem poeira ou sujidade. Poeira ou sujidade grudada nas aletas provocará problemas.

7. Troca de juntas e vedações

Troque as juntas e vedações se desmontar o motor.

Todos os trabalhos de manutenção e ajuste não incluídos ou descritos neste manual devem ser realizados por agentes de serviço autorizado.

ARMAZENAMENTO

⚠ AVISO

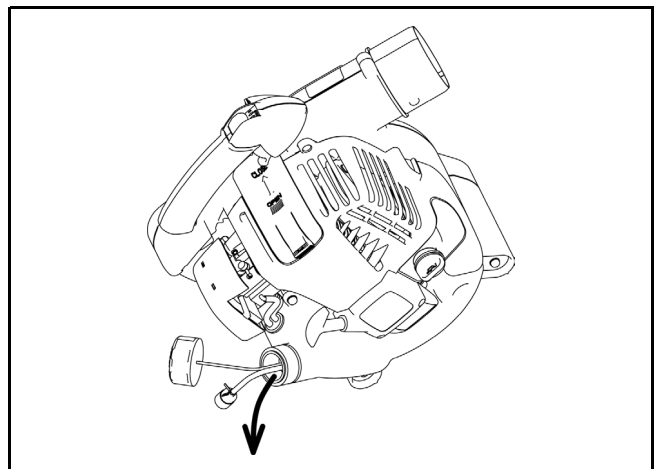
- Quando drenar o combustível, certifique-se de desligar o motor e esperar que arrefeça completamente.
- Se assim não for, poderá provocar queimaduras ou incêndio.

⚠ PERIGO

- Quando armazenar a máquina por um longo período de tempo, drene todo o combustível do tanque e do carburador e guarde-a num lugar limpo e seco.

Drene o combustível do tanque e do carburador segundo o procedimento a seguir:

- (1) Retire a tampa do tanque e drene todo o combustível. Se restar qualquer matéria estranha no tanque de combustível, remova-a por completo.
- (2) Retire o filtro de combustível do bocal utilizando um arame.
- (3) Accione a bomba de escorva até drenar todo o combustível e drene também o combustível que entra no tanque.
- (4) Volte a colocar o filtro no tanque de combustível e feche a tampa apertando com firmeza.
- (5) A seguir, deixe o motor a funcionar até desligar.
- (6) Retire a vela de ignição e aplique algumas gotas de óleo de motor através do orifício da vela.
- (7) Puxe gentilmente o puxador de arranque para que o óleo se espalhe sobre o motor e coloque a vela de ignição.
- (8) Mantenha a máquina com a pega para cima.
- (9) Guarde o combustível drenado em um recipiente especial numa área bem ventilada.



Localização de avarias

Avaria	Sistema	Observação	Causa
O motor não arranca ou arranca com dificuldade	Sistema de ignição	Há faísca de ignição	Falha no abastecimento de combustível ou no sistema de compressão. Problema mecânico
		Não há faísca de ignição	O interruptor de parada "STOP" foi accionado, problema nos cabos ou curto-circuito; vela de ignição ou conector defeituoso, falha no módulo de ignição
	Abastecimento de combustível	Tanque de combustível cheio	Posição incorrecta do afogador, carburador com defeito, tubo de fornecimento de combustível torto ou entupido, combustível sujo.
	Compressão	Sem compressão quando puxado	Junta do fundo do cilindro com defeito, vedações da manivela danificadas, cilindros ou anéis dos pistões defeituosos ou vedação incorrecta da vela de ignição.
Problema de aquecimento no arranque	Problema mecânico	O arranque não funciona	Mola do arranque quebrada, peças quebradas dentro do motor
		Tanque cheio; há faísca de ignição	Carburador contaminado; limpe-o
O motor arranca mas pára em seguida	Abastecimento de combustível	Tanque cheio	Ajuste incorrecto da lenta, carburador contaminado
Rendimento insatisfatório	Vários sistemas podem estar afectados ao mesmo tempo	Motor irregular na lenta	Abertura do tanque de combustível com defeito, tubo de fornecimento de combustível entupido, cabo ou interruptor de parada "STOP" defeituoso
			Filtro de ar contaminado, carburador contaminado, silenciador entupido, tubo de escape do cilindro entupido

Item	Tempo de funcionamento		Antes da operação	Depois da lubrificação	Diariamente (10 horas)	30 horas	50 horas	200 horas	Parada/ intervalo	Página correspondente
Óleo do motor	Inspeção/ limpeza		○							135
	Troca						○*1			141
Peças a apertar (perno, porca)	Inspeção		○							143
Tanque de combustível	Limpeza/ inspeção		○							-
	Drenagem de combustível								○*3	143
Alavanca do acelerador	Verificação do funcionamento			○						-
Interruptor de parada	Verificação do funcionamento			○						138
Rotação de baixa velocidade	Inspeção/ajuste				○					138
Filtro de ar	Limpeza				○					142
Vela de ignição	Inspeção				○					142
Condutor de ar refrigerado	Limpeza/ inspeção				○					143
Tubo de combustível	Inspeção				○					143
	Troca							◎*2		-
Filtro de combustível	Limpeza/troca						○			143
Folga entre as válvulas de entrada e saída de ar	Ajuste							◎*2		-
Tubo de óleo	Inspeção							◎*2		-
Revisão do motor								◎*2		-
Carburador	Drenagem de combustível								○*3	143

*1 Realize a troca inicial depois de 20 horas de funcionamento.

*2 Solicite a inspeção das 200 horas de funcionamento a um agente de serviço autorizado ou a uma oficina mecânica.

*3 Depois de esvaziar o tanque de combustível, deixe o motor em funcionamento e drene o combustível do carburador.

SOLUÇÃO DE PROBLEMAS

Antes de solicitar serviço, verifique o problema por si mesmo. Se identificar qualquer anormalidade, examine a máquina de acordo com as explicações encontradas neste manual. Não manipular nem desmontar nenhuma peça que não esteja relacionada nas explicações. Para reparos, entre em contacto com o agente de serviço autorizado ou o revendedor local.

Problema	Causa provável (avaria)	Solução
O motor não arranca	A bomba de escorva não foi accionada	Accione-a de 7 a 10 vezes.
	O puxador de arranque foi puxado muito devagar	Puxe com força.
	Falta de combustível	Reabasteça.
	Filtro de combustível entupido	Limpeza
	Tubo de combustível avariado	Endireite o tubo de combustível
	Combustível deteriorado	Combustível deteriorado dificulta o arranque. Troque o combustível por novo. (Troca recomendada: 1 mês)
	Sucção excessiva de combustível	Ajuste a alavanca do acelerador entre velocidade média e velocidade alta e puxe o puxador de arranque até o motor ligar. Se o motor não arrancar, retire a vela de ignição, seque o eléctrodo e volte a colocá-los na posição original. A seguir, volte a ligar como especificado.
	Cachimbo da vela solto	Prenda com firmeza
	Vela de ignição contaminada	Limpeza
	Distância anormal da vela de ignição	Ajuste a distância
	Outras anormalidades da vela de ignição	Troca
	Carburador anormal	Solicite uma inspecção e manutenção.
	Não é possível puxar o puxador de arranque	Solicite uma inspecção e manutenção.
Sistema de transmissão anormal	Solicite uma inspecção e manutenção.	
O motor logo pára A velocidade do motor não aumenta	Aquecimento insuficiente	Realize o aquecimento
	A alavanca do afogador está na posição "CLOSE" embora o motor esteja aquecido	Coloque-a em "OPEN"
	Filtro de combustível entupido	Limpeza
	O filtro de ar está contaminado ou entupido	Limpeza
	Carburador anormal	Solicite uma inspecção e manutenção.
	Sistema de transmissão anormal	Solicite uma inspecção e manutenção.
	Cabo do acelerador solto	Prenda com firmeza
	Sistema de transmissão anormal	Solicite uma inspecção e manutenção.
O motor não desliga. ↓ Deixe-o funcionar na lenta e coloque a alavanca do afogador em "CLOSE".	Conector solto	Prenda com firmeza
	Sistema eléctrico anormal	Solicite uma inspecção e manutenção.

Quando o motor não arranca depois do aquecimento:

Se não encontrar nenhuma anormalidade nos itens verificados, abra o acelerador mais ou menos um terço (1/3) e ligue o motor.

Makita Europe N.V. Jan-Baptist Vinkstraat 2,
3070 Kortenberg, Belgium

Makita Corporation 3-11-8, Sumiyoshi-cho,
Anjo, Aichi 446-8502 Japan