



Original Instruction Manual
Instructions d'emploi d'origine
Originalbetriebsanleitung
Manuale di istruzioni originale
Originele gebruiksaanwijzing
Instrucciones de manejo originales
Instruções de serviço original
Original brugsanvisning
Πρωτότυπο εγχειρίδιο οδηγιών

Important:

Read this instruction manual carefully before putting the Petrol Brushcutter into operation and strictly observe the safety regulations!
Preserve instruction manual carefully!

Important :

Veillez lire attentivement ce mode d'emploi avant d'utiliser la débroussailleuse thermique et respectez strictement les consignes de sécurité !

Veillez à conserver ce manuel d'instructions !

Wichtig:

Lesen Sie vor Verwendung der Motorsense diese Betriebsanleitung aufmerksam durch und halten Sie die Sicherheitsbestimmungen strikt ein!
Bewahren Sie diese Betriebsanleitung sorgfältig auf!

Importante:

Leggere attentamente il presente manuale di istruzioni prima di mettere in funzione il decespugliatore a benzina e rispettare scrupolosamente le norme per la sicurezza.

Conservare con cura il manuale di istruzioni.

Belangrijk:

Lees deze gebruiksaanwijzing aandachtig door voordat u de benzinebosmaaier in gebruik neemt en houdt u te allen tijde aan de veiligheidsinstructies!

Bewaar deze gebruiksaanwijzing zorgvuldig!

Importante:

Lea atentamente este manual de instrucciones antes de utilizar la desbrozadora y cumpla estrictamente la normativa de seguridad.

Conserve el manual de instrucciones con cuidado.

Importante:

Leia cuidadosamente este manual de instruções antes de utilizar a Roçadeira a Gasolina e cumpra todas as normas de segurança!

Guarde este manual de instruções num local seguro!

Vigtigt:

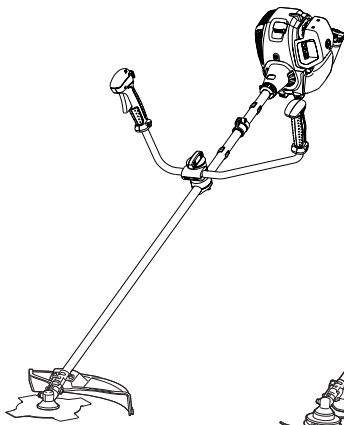
Læs denne brugsanvisning omhyggeligt igennem inden du anvender den benzindrevne buskrydder og overhold sikkerhedsbestemmelserne til mindste detalje!

Gem denne brugsanvisning omhyggeligt!

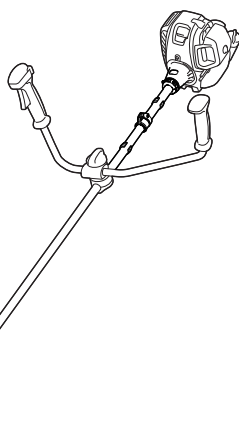
Σημαντικό:

Πριν θέσετε σε λειτουργία τον Βενζινοκίνητο Θαμνοκοπτικό διαβάστε προσεκτικά το παρόν εγχειρίδιο οδηγιών και εφαρμόσετε αυστηρά τους κανονισμούς ασφαλείας.

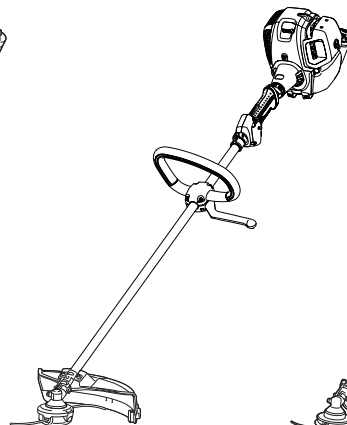
Διατηρήστε με προσοχή το εγχειρίδιο οδηγιών!



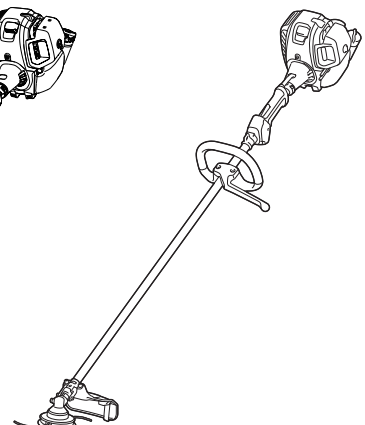
EM2650UH
EM2651UH



EM2650UHN



EM2650LH
EM2651LH



EM2650LHN

Thank you very much for purchasing the MAKITA Petrol Brushcutter. We are pleased to recommend to you the MAKITA Petrol Brushcutter which is the result of a long development programme and many years of knowledge and experience.




















Please read this booklet which refers in detail to the various points that will demonstrate its outstanding performance. This will assist you to obtain the best possible result from your MAKITA Petrol Brushcutter.



Table of Contents	Page
Symbols.....	2
Safety instructions	3
Technical data.....	7
Designation of parts.....	9
Mounting of handle.....	10
Mounting of protector.....	11
Mounting of cutter blade or nylon cutting head.....	12
Before start of operation	14
Correct handling of machine.....	16
Points in operation and how to stop	17
Servicing instructions.....	19
Storage	27

SYMBOLS

You will note the following symbols when reading the instructions manual.

	Read instruction manual and follow the warnings and safety precautions!		Keep the area of operation clear of all persons and pets!
	Take Particular care and attention!		Wear protective helmet, eye and ear protection!
	Forbidden!		Top permissible tool speed
	Keep distance!		Fuel (Gasoline)
	Flying object hazard!		Engine-manual start
	No smoking!		Emergency stop
	No open flame!		First Aid
	Protective gloves must be worn!		ON/START
	Wear sturdy boots with nonslip soles. Steeltod safety boots are recommended!		OFF/STOP
	Kickback!		

SAFETY INSTRUCTIONS

General Instructions

- Read this instruction manual to become familiar with handling of the equipment. Users insufficiently informed will risk danger to themselves as well as others due to improper handling.
- It is recommended only to lend the equipment to people who have proven to be experienced. Always hand over the instruction manual.
- First users should ask the dealer for basic instructions to familiarize oneself with the handling of brushcutters.
- Children and young persons aged under 18 years must not be allowed to operate this equipment. Persons over the age of 16 years may however use the device for the purpose of being trained while under supervision of a qualified trainer.
- Use with the utmost care and attention.
- Operate only if you are in good physical condition. Perform all work calmly and carefully. The user has to accept liability for others.
- Never use this equipment after consumption of alcohol or drugs, or if feeling tired or ill.
- National regulation can restrict the use of the machine.

Intended use of the machine

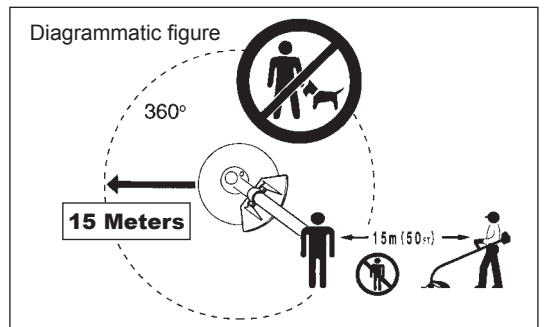
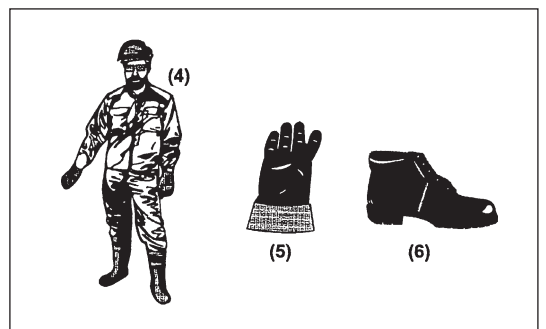
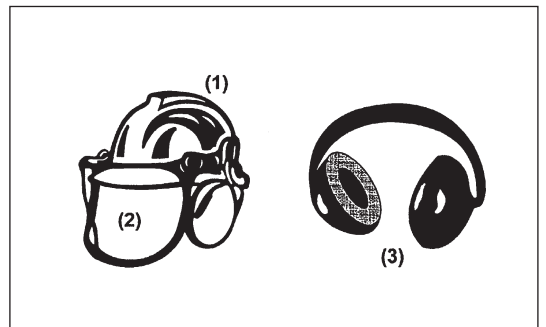
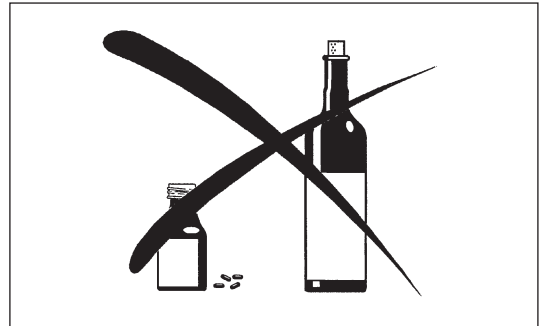
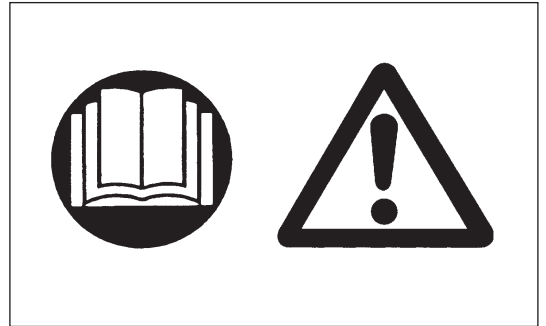
- This equipment is only intended for cutting grass, weeds, bushes, undergrowth. It should not be used for any other purpose such as edging or hedge cutting as this may cause injury.

Personal protective equipment

- The clothing worn should be functional and appropriate, i.e. it should be tight-fitting but not cause hindrance. Do not wear either jewelry or clothing which could become entangled with bushes or shrubs.
- In order to avoid either head-, eye-, hand- or foot injuries as well as to protect your hearing the following protective equipment and protective clothing must be used during operation.
- Always wear a helmet where there is a risk of falling objects. The protective helmet (1) is to be checked at regular intervals for damage and is to be replaced at the latest after 5 years. Use only approved protective helmets.
- The visor (2) of the helmet (or alternatively goggles) protects the face from flying debris and stones. During operation always wear goggles, or a visor to prevent eye injuries.
- Wear adequate noise protection equipment to avoid hearing impairment (ear muffs (3), ear plugs etc.).
- The work overalls (4) protect against flying stones and debris. We strongly recommend that the user wears work overalls.
- Gloves (5) are part of the prescribed equipment and must always be worn during operation.
- When using the equipment, always wear sturdy shoes (6) with a non-slip sole. This protects against injuries and ensures a good footing.

Starting up the brushcutter

- Please make sure that there are no children or other people within a working range of 15 meters (50 ft), also pay attention to any animals in the working vicinity.
- Before use always check the equipment is safe for operation: Check the security of the cutting tool, the throttle lever for easy action and check for proper functioning of the throttle lever lock.
- Rotation of the cutting tool during idling speed is not allowed. Check with your dealer for adjustment if in doubt. Check for clean and dry handles and test the function of the start/stop switch.

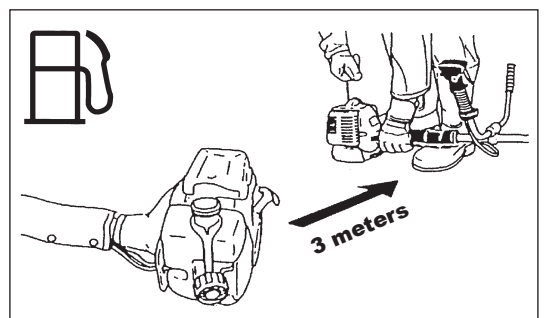
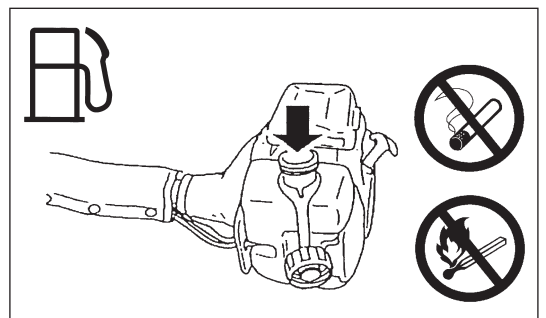
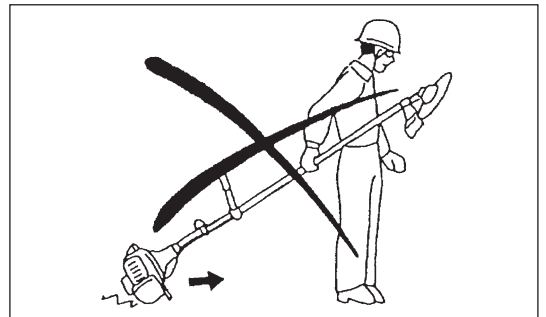
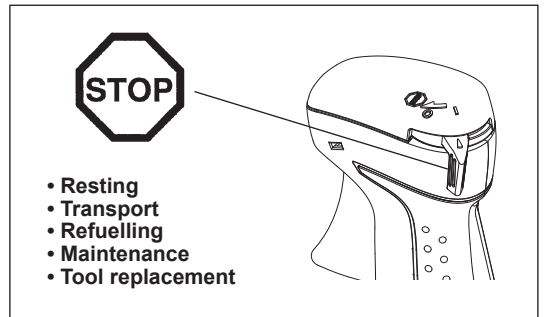
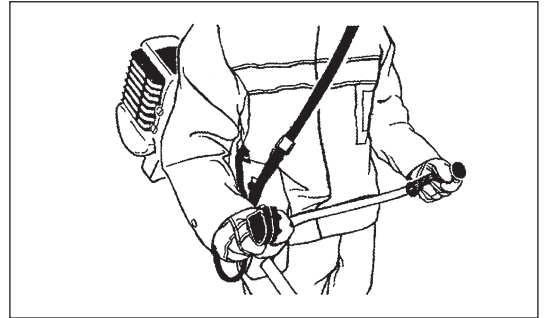
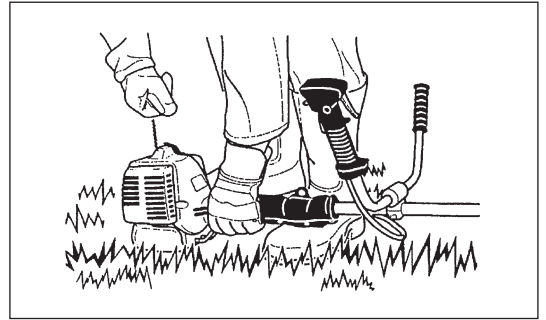


Start the brushcutter only in accordance with the instructions.

- Do not use any other methods for starting the engine!
- Use the brushcutter and the tools only for such applications as specified.
- Only start the engine, after the entire assembly is done. Operation of the device is only permitted after all the appropriate accessories are attached!
- Before starting make sure that the cutting tool has no contact with hard objects such as branches, stones etc. as the cutting tool will revolve when starting.
- The engine is to be switched off immediately in case of any engine problems.
- Should the cutting tool hit stones or other hard objects, immediately switch off the engine and inspect the cutting tool.
- Inspect the cutting tool at short regular intervals for damage (detection of hairline cracks by means of tapping-noise test).
- If the equipment gets heavy impact or fall, check the condition before continuing work. Check the fuel system for fuel leakage and the controls and safety devices for malfunction. If there is any damage or doubt, ask our authorized service center for the inspection and repair.
- Operate the equipment only with the shoulder harness attached which is to be suitably adjusted before putting the brushcutter into operation. It is essential to adjust the shoulder harness according to the user size to prevent fatigue occurring during use. Never hold the cutter with one hand during use.
- During operation always hold the brushcutter with both hands. Always ensure a safe footing.
- Operate the equipment in such a manner as to avoid inhalation of the exhaust gases. Never run the engine in enclosed rooms (risk of gas poisoning). Carbon monoxide is an odorless gas.
- Switch off the engine when resting and when leaving the equipment unattended, and place it in a safe location to prevent danger to others or damage to the machine.
- Never put the hot brushcutter onto dry grass or onto any combustible materials.
- Always install the approved cutting tool guard onto the equipment before starting the engine. Otherwise contact with the cutting tool may cause serious injury.
- All protective installations and guards supplied with the machine must be used during operation.
- Never operate the engine with faulty exhaust muffler.
- Shut off the engine during transport.
- When transporting the equipment, always attach the cover to the cutting blade.
- Ensure safe position of the equipment during car transportation to avoid fuel leakage.
- When transporting, ensure that the fuel tank is completely empty.
- When unloading the equipment from the truck, never drop the Engine to the ground or this may severely damage the fuel tank.
- Except in case of emergency, never drop or cast the equipment to the ground or this may severely damage the equipment.
- Remember to lift the entire equipment from the ground when moving the equipment. Dragging the fuel tank is highly dangerous and will cause damage and leakage of fuel, possibly causing fire.

Refueling

- Shut off the engine during refueling, keep away from open flames and do not smoke.
- Avoid skin contact with mineral oil products. Do not inhale fuel vapor. Always wear protective gloves during refueling. Change and clean protective clothing at regular intervals.
- Take care not to spill either fuel or oil in order to prevent soil contamination (environmental protection). Clean the brushcutter immediately after fuel has been spilled.
- Avoid any fuel contact with your clothing. Change your clothing instantly if fuel has been spilled on it (to prevent clothing catching fire).
- Inspect the fuel cap at regular intervals making sure that it can be securely fastened and does not leak.
- Carefully tighten the fuel tank cap. Change location to start the engine (at least 3 meters away from the place of refueling).
- Never refuel in closed rooms. Fuel vapors accumulate at ground level (risk of explosions).
- Only transport and store fuel in approved containers. Make sure the fuel stored is not accessible to children.



Method of operation

- Only use in good light and visibility. During the winter season beware of slippery or wet areas, ice and snow (risk of slipping). Always ensure a safe footing.
- Never cut above waist height.
- Never stand on a ladder.
- Never climb up into trees to perform cutting operation.
- Never work on unstable surfaces.
- Remove sand, stones, nails etc. found within the working range. Foreign particles may damage the cutting tool and can cause dangerous kick-backs.
- Before commencing cutting, the cutting tool must have reached full working speed.
- When using metal blades, swing the tool evenly in half-circle from right to left, like using a scythe.
If grass or branches get caught between the cutting tool and guard, always stop the engine before cleaning. Otherwise unintentional blade rotation may cause serious injury.
- Take a rest to prevent loss of control caused by fatigue. We recommend to take a 10 to 20-minute rest every hour.

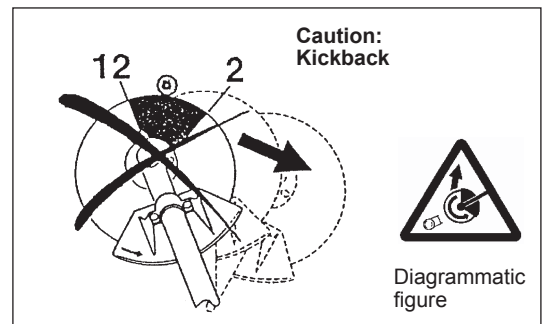


Cutting Tools

- Use an applicable cutting tool for the job in hand.
Nylon cutting heads (string trimmer heads) are suitable for trimming lawn grass.
Metal blades are suitable for cutting weeds, high grasses, bushes, shrubs, underwood, thicket, and the like.
Never use other blades including metal multi-piece pivoting chains and flail blades. Otherwise serious injury may result.
- When using metal blades, avoid “kickback” and always prepare for an accidental kickback. See the section “Kickback” and “Kickback prevention.”

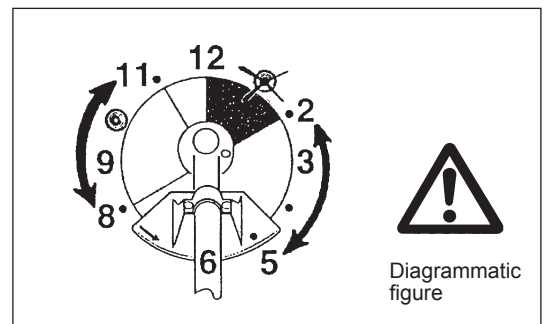
Kickback (blade thrust)

- Kickback (blade thrust) is a sudden reaction to a caught or bound cutting blade. Once it occurs, the equipment is thrown sideways or toward the operator at great force and it may cause serious injury.
- Kickback occurs particularly when applying the blade segment between 12 and 2 o'clock to solids, bushes and trees with 3 cm or larger diameter.
- To avoid kickback:
 - Apply the segment between 8 and 11 o'clock;
 - Never apply the segment between 12 and 2 o'clock;
 - Never apply the segment between 11 and 12 o'clock and between 2 and 5 o'clock, unless the operator is well trained and experienced and does it at his/her own risk;
 - Never use cutting blades close to solids, such as fences, walls, tree trunks and stones;
 - Never use cutting blades vertically, for such operations as edging and trimming hedges.



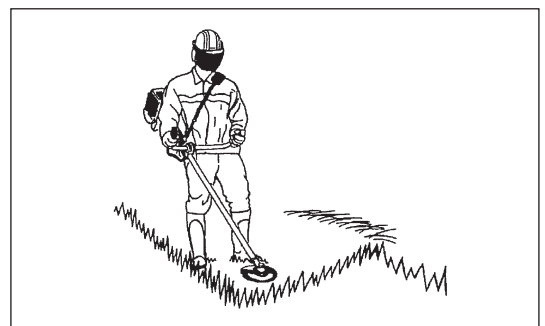
Vibration

- People with poor circulation who are exposed to excessive vibration may experience injury to blood vessels or the nervous system. Vibration may cause the following symptoms to occur in the fingers, hands or wrists: “Falling asleep” (numbness), tingling, pain, stabbing sensation, alteration of skin color or of the skin. If any of these symptoms occur, see a physician!
- To reduce the risk of “white finger disease”, keep your hands warm during operation and well maintain the equipment and accessories.



Maintenance instructions

- Have your equipment serviced by our authorized service center, always using only genuine replacement parts. Incorrect repair and poor maintenance can shorten the life of the equipment and increase the risk of accidents.
- The condition of the cutter, in particular of the cutting tool of the protective devices and also of the shoulder harness must be checked before commencing work. Particular attention is to be paid to the cutting blades which must be correctly sharpened.
- Turn off the engine and remove spark plug connector when replacing or sharpening cutting tools, and also when cleaning the cutter or cutting tool.



Never straighten or weld damaged cutting tools.

- Pay attention to the environment. Avoid unnecessary throttle operation for less pollution and noise emissions. Adjust the carburetor correctly.
- Clean the equipment at regular intervals and check that all screws and nuts are well tightened.
- Never service or store the equipment in the vicinity of naked flames.
- Always store the equipment in locked rooms and with an emptied fuel tank.
- When cleaning, servicing and storing the equipment, always attach the cover to the cutting blade.



Observe the relevant accident prevention instructions issued by the relevant trade associations and by the insurance companies. Do not perform any modifications to the equipment as this will endanger your safety.

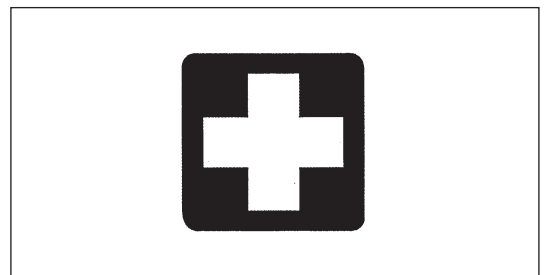
The performance of maintenance or repair work by the user is limited to those activities as described in the instruction manual. All other work is to be done by an Authorized Service Agent. Use only genuine spare parts and accessories released and supplied by MAKITA. Use of non-approved accessories and tools means increased risk of accidents. MAKITA will not accept any liability for accidents or damage caused by the use of non-approved cutting tools and fixing devices of cutting tools, or accessories.

First Aid

In case of accident make sure that a first-aid box is available in the vicinity of the cutting operations. Immediately replace any item taken from the first aid box.

When asking for help, please give the following information:

- Place of accident
- What happened
- Number of injured persons
- Kind of injuries
- Your name



For European countries only

EC Declaration of Conformity

The EC declaration of conformity is included as Annex A to this instruction manual.

TECHNICAL DATA

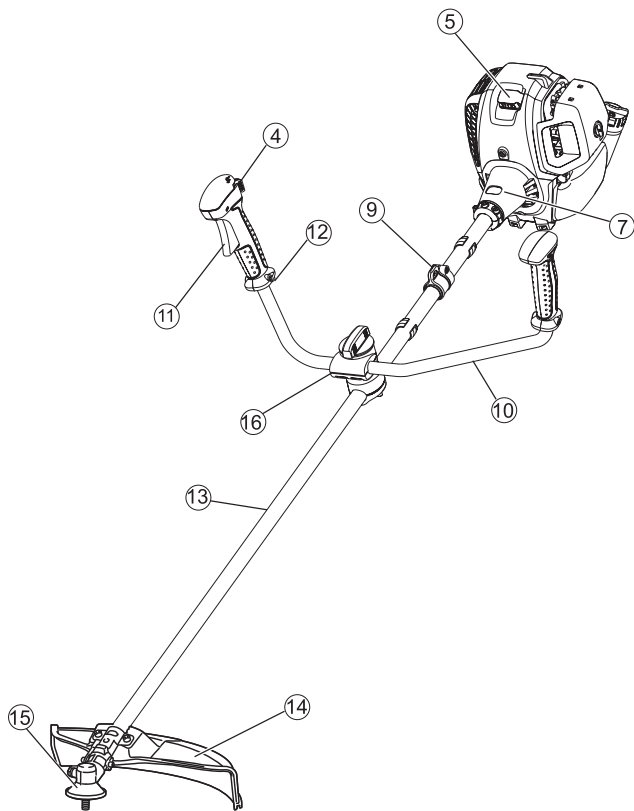
Model			EM2650UH	EM2650UHN	EM2650LH	EM2650LHN		
Handle type			Bike handle		Loop handle			
Dimensions: length x width x height (without cutting tool)			1,765 x 620 x 474		1,765 x 330 x 264			
Mass (without plastic guard and cutting tool)			5.6		5.3			
Volume (fuel tank)			0.6					
Volume (oil tank)			0.08					
Engine displacement			25.4					
Maximum engine performance			0.77 at 7,000 min ⁻¹					
Engine speed at recommended max. spindle speed			10,000					
Maximum spindle speed (corresponding)			7,400					
Idling speed			3,000					
Clutch engagement speed			3,900					
Carburetor			Diaphragm type					
Ignition system			Non-contact, magnet type					
Spark plug			NGK CMR4A					
Electrode gap			0.7 - 0.8					
Vibration per ISO 22867	Right handle (Rear grip)	$a_{hv\ eq}$	m/s ²	3.4	—	6.5	5.0	
		Uncertainty K	m/s ²	0.6	—	2.3	1.3	
	Left handle (Front grip)	$a_{hv\ eq}$	m/s ²	4.5	—	6.7	6.4	
		Uncertainty K	m/s ²	0.6	—	1.9	1.4	
Sound pressure level average to ISO 22868			$L_{PA\ eq}$	dB(A)	96.6	—	96.6	91.6
			Uncertainty K	dB(A)	0.9	—	0.9	3.1
Sound power level average to ISO 22868			$L_{WA\ eq}$	dB(A)	105.5	—	105.5	101.6
			Uncertainty K	dB(A)	1.3	—	1.3	2.0
Fuel			Automobile gasoline (petrol)					
Engine Oil			API grade SF class or higher, SAE 10W-30 oil (automobile 4-stroke engine oil)					
Cutting tools (cutter blade dia.)			230					
Gear ratio			14/19					

TECHNICAL DATA

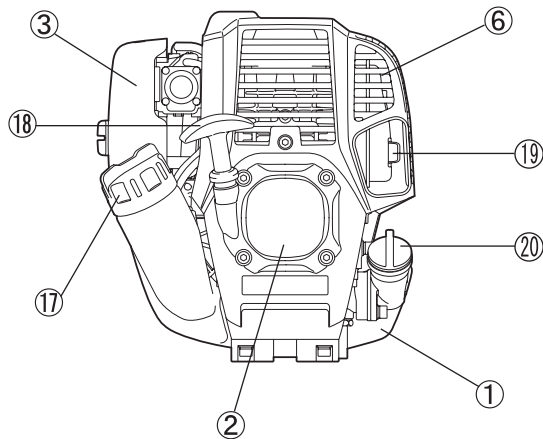
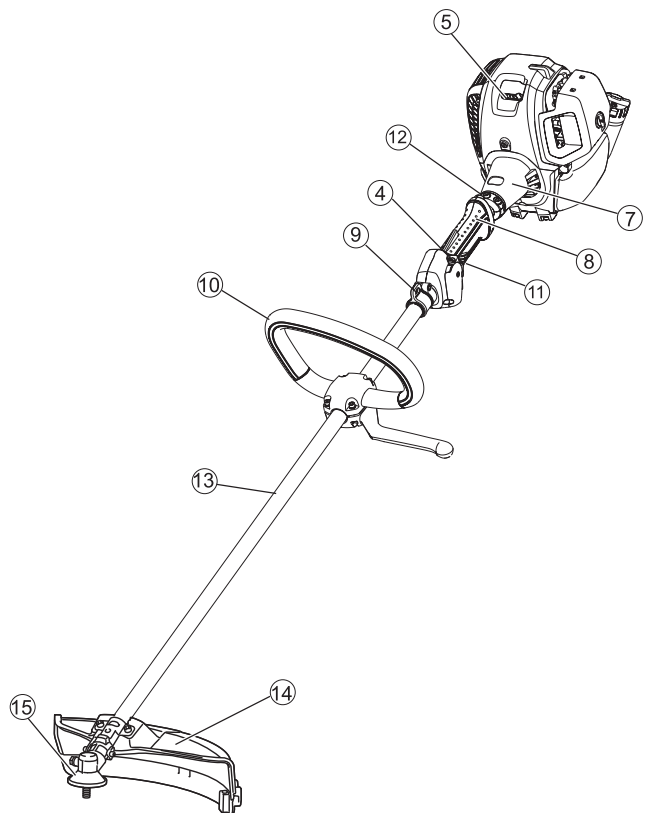
Model			EM2651UH	EM2651LH	
Handle type			Bike handle	Loop handle	
Dimensions: length x width x height (without cutting tool)		mm	1,765 x 620 x 474	1,765 x 330 x 264	
Mass (without plastic guard and cutting tool)		kg	5.8	5.3	
Volume (fuel tank)		L	0.6		
Volume (oil tank)		L	0.08		
Engine displacement		cm ³	25.4		
Maximum engine performance		kw	0.77 at 7,000 min ⁻¹		
Engine speed at recommended max. spindle speed		min ⁻¹	10,000		
Maximum spindle speed (corresponding)		min ⁻¹	7,400		
Idling speed		min ⁻¹	3,000		
Clutch engagement speed		min ⁻¹	3,900		
Carburetor			Diaphragm type		
Ignition system			Non-contact, magnet type		
Spark plug		type	NGK CMR4A		
Electrode gap		mm	0.7 - 0.8		
Vibration per ISO 22867	Right handle (Rear grip)	$a_{hv\ eq}$	m/s ²	3.3	5.7
		Uncertainty K	m/s ²	0.8	1.2
	Left handle (Front grip)	$a_{hv\ eq}$	m/s ²	4.3	6.0
		Uncertainty K	m/s ²	1.6	1.8
Sound pressure level average to ISO 22868		$L_{PA\ eq}$	dB(A)	96.6	
		Uncertainty K	dB(A)	0.9	
Sound power level average to ISO 22868		$L_{WA\ eq}$	dB(A)	105.5	
		Uncertainty K	dB(A)	1.3	
Fuel			Automobile gasoline (petrol)		
Engine Oil			API grade SF class or higher, SAE 10W-30 oil (automobile 4-stroke engine oil)		
Cutting tools (cutter blade dia.)		mm	230		
Gear ratio			14/19		

DESIGNATION OF PARTS

**EM2650UH
EM2650UHN
EM2651UH**



**EM2650LH
EM2650LHN
EM2651LH**



GB	DESIGNATION OF PARTS
1	Fuel tank
2	Rewind starter
3	Air cleaner
4	I-O switch (on/off)
5	Spark plug
6	Exhaust muffer
7	Clutch case
8	Rear grip
9	Hanger
10	Handle
11	Control lever
12	Control cable
13	Shaft
14	Protector (Cutting tool guard)
15	Gear Case/Head case
16	Handle holder
17	Fuel filler cap
18	Starter knob
19	Exhaust pipe
20	Oil gauge

MOUNTING OF HANDLE

CAUTION: Before doing any work on the Petrol Brushcutter, always stop the engine and pull the spark plug connector off the spark plug. Always wear protective gloves!

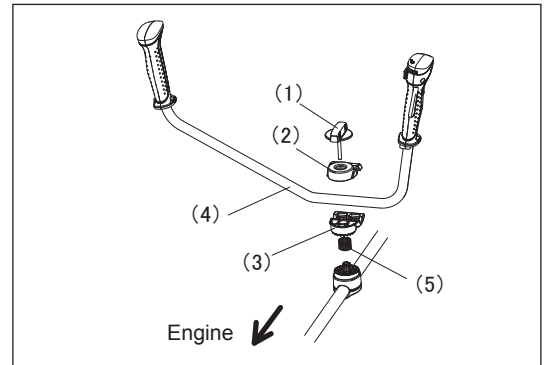
CAUTION: Start the Petrol Brushcutter only after having assembled it completely.



For machines with bike handle models

- Loosen knob (1).
- Place handle (4) between handle clamp (2) and handle holder (3).
- Adjust handle (4) to an angle that provides a comfortable working position and then secure by firmly hand-tightening knob (1).

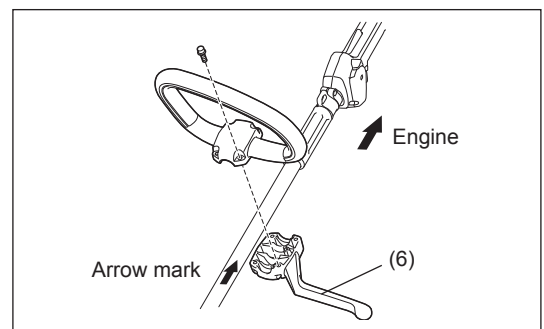
CAUTION: Do not forget to mount spring (5).



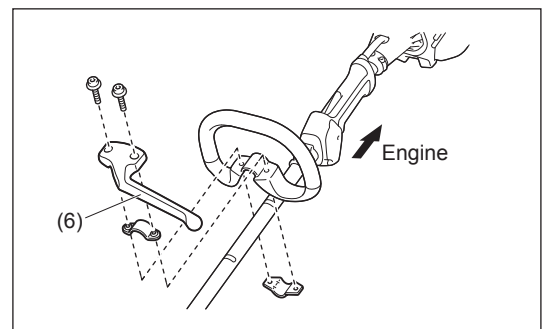
For machines with loop handle

- Fix a barrier (6) to the left side of the machine together with the handle for operator protection.
- Make sure that the grip/barrier assembly is fitted between the spacer and the arrow mark.

WARNING: Do not remove or shrink the spacer. The spacer keeps a certain distance between both hands. Setting the grip/barrier assembly close to the other grip beyond the length of the spacer may cause loss of control and serious personal injury.



Note: In some countries the handle may be non-barrier type.



MOUNTING OF PROTECTOR

WARNING:

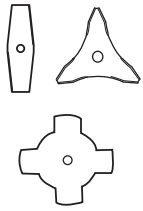

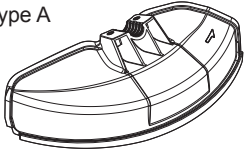
Always use the tool with the approved combination of the safety equipments. Otherwise contact with a cutting tool may cause serious injury.

CAUTION:

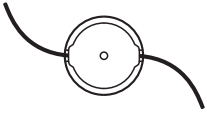
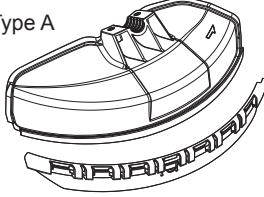
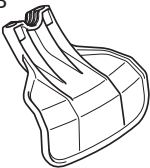
Tighten the right and left bolts evenly so that the gap between the clamp and the protector is constant. Otherwise the protector may not function as expected.

To meet the applicable safety provisions, only the tool / protector combinations as indicated in the table must be used.

Use of metal blade

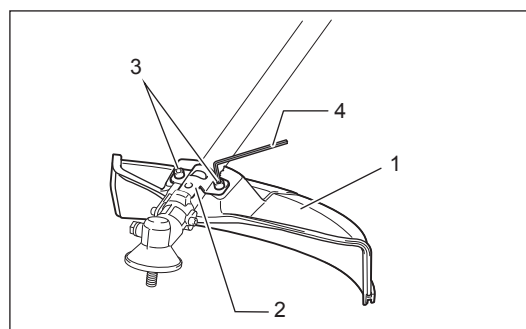
Metal blade	Clamp washer, cup, and nut are necessary	Protector
		<p>Type A</p> 

Use of nylon cutting head

Nylon cutting head	Protector	
	<p>Type A</p> 	<p>Type B</p> 

For metal blade

Fix the protector type A (1) to the clamp (2) with two bolts M6 x 25 (3) with hex wrench 5 (4).



For nylon cutting head (for type A protector)

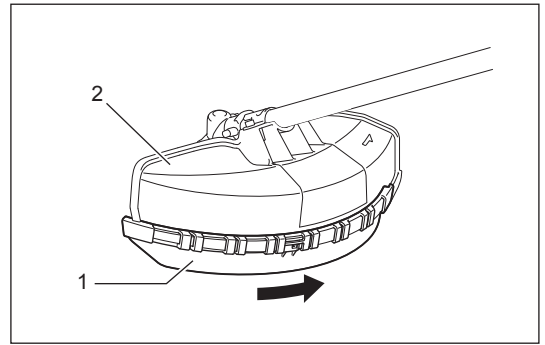
CAUTION:

Be sure to push in the protector extension (1) until it is fully inserted. Otherwise the protector extension may fall and result in personal injury.

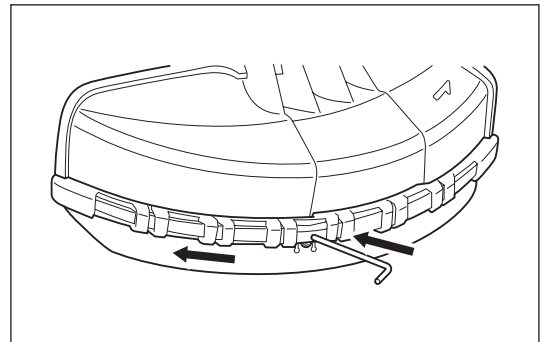
CAUTION:

Take care not to injure yourself on the cutter for cutting the nylon cord.

1. Fix the protector to the clamp with two bolts M6 x 25.
2. Mount the protector extension (1) by sliding it into place from the flank of the metal blade protector (2).
3. Remove tape adhered to cutter, which cuts nylon cord, on the protector extension.



4. To remove the protector extension, apply a hex wrench 4 into the notch on the protector, push it in and meanwhile slide the protector extension.

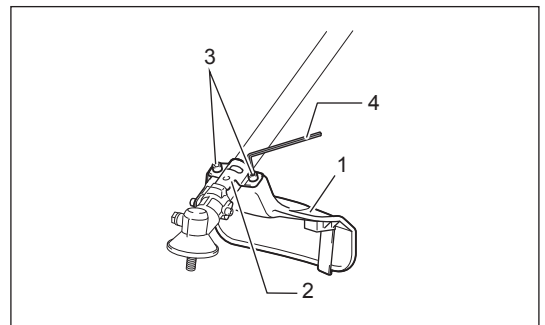


For nylon cutting head (for type B protector)

CAUTION:

Take care not to injure yourself on the cutter for cutting the nylon cord.

Fix the protector (1) to the clamp (2) with two bolts M6 x 25 (3) with hex wrench 5 (4).



MOUNTING OF CUTTER BLADE OR NYLON CUTTING HEAD

CAUTION:

Be sure to use genuine MAKITA cutter blades or nylon cutting head.

- The cutter blade must be well polished, free of cracks or breakage. If the cutter blade hits against a stone during operation, stop the engine and check the blade immediately.
- Polish or replace the cutter blade every three hours of operation.
- If the nylon cutting head hits against a stone during operation, stop the engine and check the nylon cutting head immediately.

CAUTION:

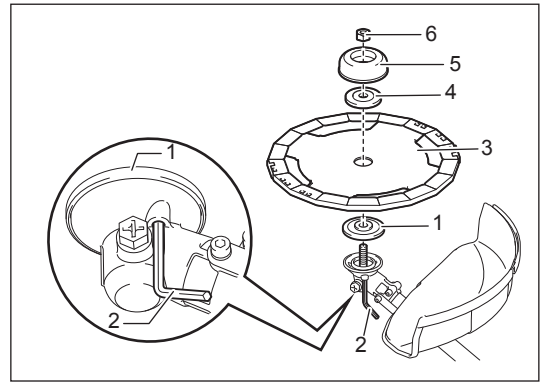
The outside diameter of the cutter blade must be 230 mm (9 - 1/16"). Never use any blades surpassing 230 mm (9 - 1/16") in outside diameter. Turn the machine upside down, and you can replace the cutter blade or nylon cutting head easily.

Installing the metal blade

CAUTION:

Always wear gloves, and put the blade cover on the metal blade when handling the cutter blade.

1. Install the receiver washer (1) onto the axle.
2. Insert the hex wrench 4 (2) through the hole in the gear case and rotate the receiver washer (1) until it is locked with the hex wrench.
3. Mount the metal blade (3) onto the shaft so that the guide of the receiver washer (1) fits in the arbor hole in the metal blade.
4. Install the clamp washer (4), cup (5), and secure the cutter blade by turning the nut (6) counterclockwise. [Tightening torque: 13 - 23 N-m]
5. After installing the metal blade, remove the hex wrench.

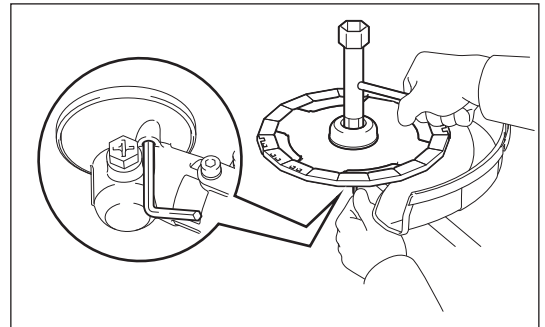


To remove the metal blade, perform as follows:

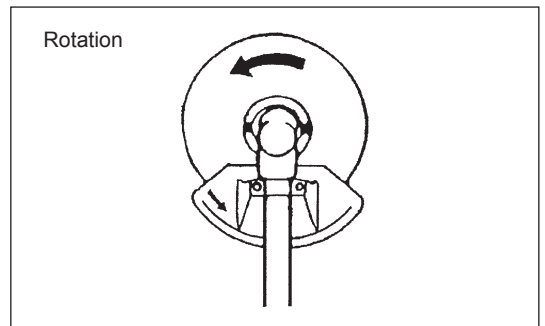
1. Insert the hex wrench through the hole in the gear case and rotate the receiver washer until it is locked with the hex wrench.
2. Loosen the nut clockwise with the socket wrench, and remove the nut, cup, clamp washer and hex wrench.

NOTE:

The cutter blade-fastening nut (with spring washer) wears out in course of time. Replace the nut if there appears any wear or deformation on the spring washer.

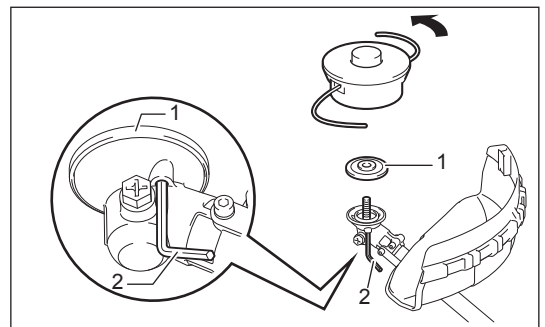


Make sure that the blade is the left way up.



Installing the nylon cutting head

1. Install the receiver washer (1) onto the axle.
2. Insert the hex wrench (2) through the hole in the gear case and rotate the receiver washer (1) until it is locked with the hex wrench.
3. Screw the nylon cutting head onto the shaft by turning it counterclockwise.
4. After installing nylon cutting head, remove the hex wrench.



BEFORE START OF OPERATION

Inspection and refill of engine oil

- Perform the following procedure, with the engine cooled down.
- Set the engine level, remove oil cap (Fig. 1), and check to see whether or not there is oil in the range between the upper limit and lower limit marks of the oil pipe (Fig. 2).
- Top up with oil to upper limit mark if oil is insufficient (oil level is close to lower limit mark) (Fig. 3).
- The area surrounding the external marks is transparent, so the amount of oil inside can be checked without having to remove the oil cap. However, if oil pipe becomes extremely dirty, visibility may be lost, and oil level will have to be checked against stepped section on inside of oil pipe.
- For reference, the oil refill time is about 10h (10 times or 10 tanks of oil refill).
If the oil changes in color or mixes with dirt, replace it with new one. (For the interval and method of replacement, refer to P 19)

Recommended oil: SAE 10W-30 oil of API Classification, Class SF or higher (4-stroke engine for automobile)

Oil volume: Approx. 0.08L

Note: If the engine is not kept upright, oil may go into around the engine, and may be refilled excessively.

If the oil is filled above the limit, the oil may be contaminated or may catch fire with white smoke.

Point 1 in Replacement of oil: "Oil gauge"

- Remove dust or dirt near the oil refill port, and detach the oil gauge.
- Keep the detached oil gauge free of sand or dust. Otherwise, any sand or dust adhering to the oil gauge may cause irregular oil circulation or wear on the engine parts, which will result in troubles.

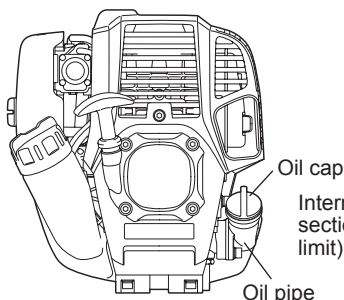


Fig. 1

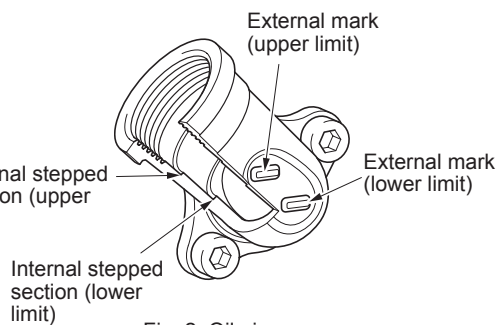


Fig. 2 Oil pipe

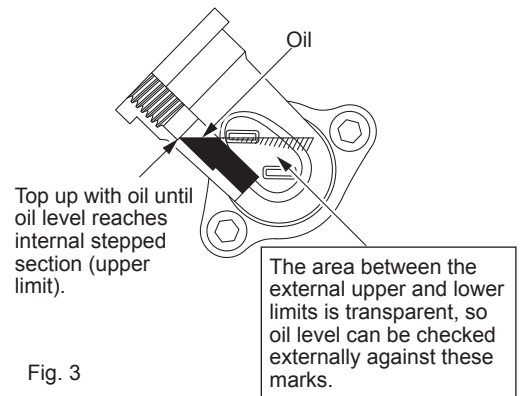
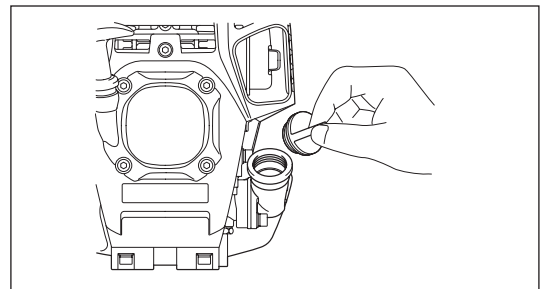
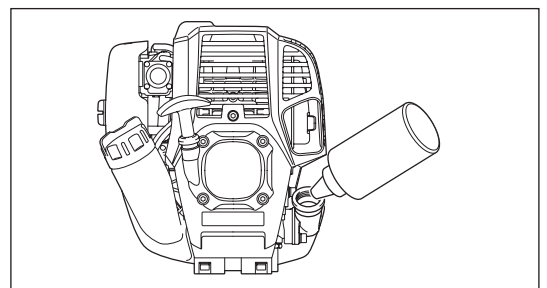


Fig. 3

(1) Keep the engine level, and detach the oil cap.



(2) Fill with oil to upper limit mark. (see Fig. 3)
Use oil bottle when filling.



(3) Securely tighten the oil cap. Insufficient tightening may cause oil leakage.

Note

- Do not replace oil with the engine in a tilted position.
- Filling with oil while engine is tilted leads to overfilling which causes oil contamination and/or white smoke.

Point 2 in Replacement of oil: "If oil spills out"

- If oil spills out between the fuel tank and engine main unit, the oil is sucked into through the cooling air intake port, which will contaminate the engine. Be sure to wipe out spilled oil before start of operation.

REFUELING

Handling of fuel

It is necessary to handle fuel with utmost care. Fuel may contain substances similar to solvents. Refueling must be performed in a sufficiently ventilated room or in the open air. Never inhale fuel vapor, and keep fuel away from you. If you touch fuel repeatedly or for a long time, the skin becomes dry, which may cause skin disease or allergy. If fuel enters into the eye, clean the eye with fresh water. If your eye remains still irritated, consult your doctor.

Storage period of fuel

Fuel should be used up within a period of 4 weeks, even if it is kept in a special container in a well-ventilated shade. If a special container is not used or if the container is not covered, fuel may deteriorate in one day.

STORAGE OF MACHINE AND REFILL TANK

- Keep the machine and tank at a cool place free from direct sunshine.
- Never keep the fuel in the cabin or trunk.

Fuel

The engine is a four-stroke engine. Be sure to use an automobile gasoline (regular gasoline or premium gasoline).

Points for fuel

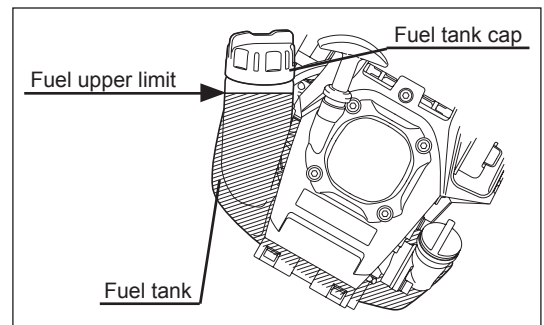
- Never use a gasoline mixture which contains engine oil. Otherwise, it will cause excessive carbon accumulation or mechanical troubles.
- Use of deteriorated oil will cause irregular startup.

Refueling

WARNING: INFLAMMABLES STRICTLY PROHIBITED

Gasoline used: Automobile gasoline (unleaded gasoline)

- Loosen the tank cap a little so that there will be no difference in atmospheric pressure.
 - Detach the tank cap, and refuel, discharging air by tilting the fuel tank so that the refuel port will be oriented upward. (Never refill fuel full to the oil refill port.)
 - Wipe well the periphery of the tank cap to prevent foreign matter from entering into the fuel tank.
 - After refueling, securely tighten the tank cap.
- If there is any flaw or damage on the tank cap, replace it.
 - The tank cap is consumable, and therefore should be renewed every two to three years.



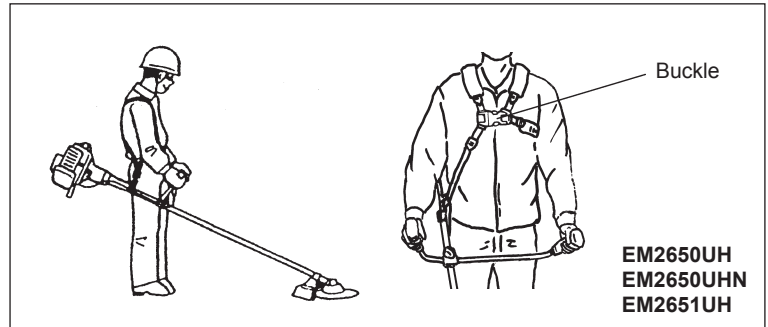
CORRECT HANDLING OF MACHINE

Attachment of shoulder strap

- Adjust the strap length so that the cutter blade will be kept parallel with the ground.

For EM2650UH, EM2650UHN, EM2651UH

NOTE: Be careful not to trap clothing, etc., in the buckle.

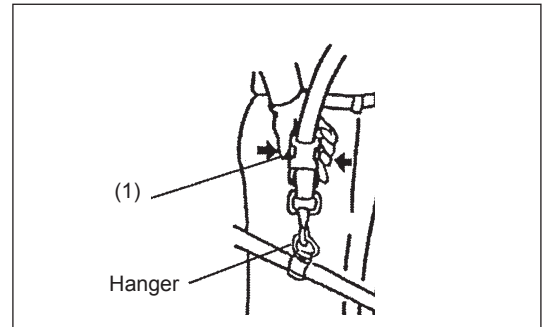


Detachment

For EM2650LH, EM2651LH

- In an emergency, push the notches (1) at both sides, and you can detach the machine from you.
- Be extremely careful to maintain control of the machine at this time. Do not allow the machine to be deflected toward you or anyone in the work vicinity.

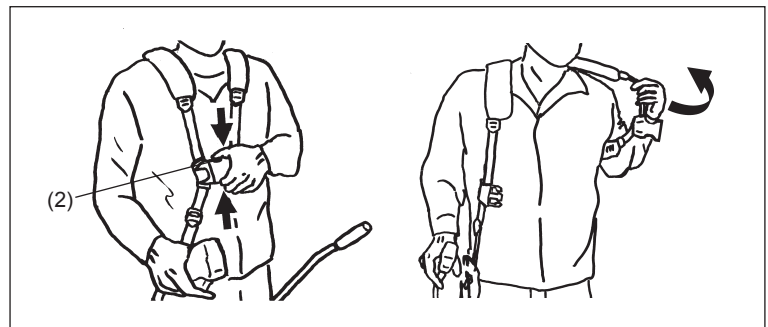
WARNING: Failure to maintain complete control of the machine at all could result in serious bodily injury or DEATH.



For EM2650UH, EM2650UHN, EM2651UH

- In an emergency, push the notches (2) at both sides, and you can detach the machine from you.
- Be extremely careful to maintain control of the machine at this time. Do not allow the machine to be deflected toward you or anyone in the work vicinity.

WARNING: Failure to maintain complete control of the machine at all could result in serious bodily injury or DEATH.

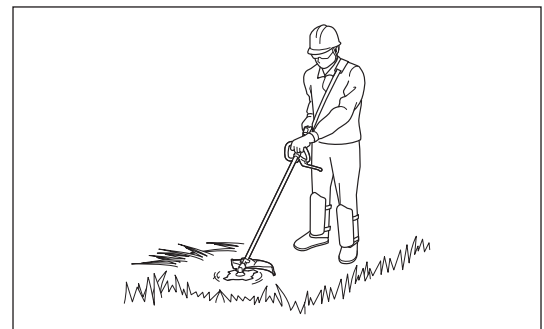


WARNING:

Always position the tool on your right-hand side. Correct positioning of the tool allows for maximum control and will reduce the risk of serious personal injury caused by kickback.

WARNING:

Be extremely careful to maintain control of the tool at all times. Do not allow the tool to be deflected toward you or anyone in the work vicinity. Failure to keep control of the tool could result in serious injury to the bystander and the operator.



Nylon cutting head operation

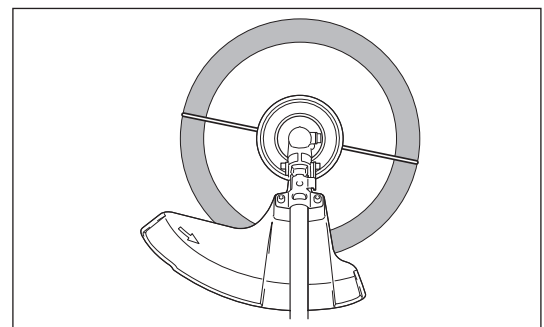
The nylon cutting head is a dual string trimmer head provided with a bump & feed mechanism.

To cause the nylon cord to feed out, tap the cutting head against the ground while rotating.

The most effective cutting area is shown by the shaded area.

NOTE:

If the nylon cord does not feed out while tapping the head, rewind/replace the nylon cord by following the procedures described under "SERVICING INSTRUCTIONS".



POINTS IN OPERATION AND HOW TO STOP

Observe the applicable accident prevention regulations!

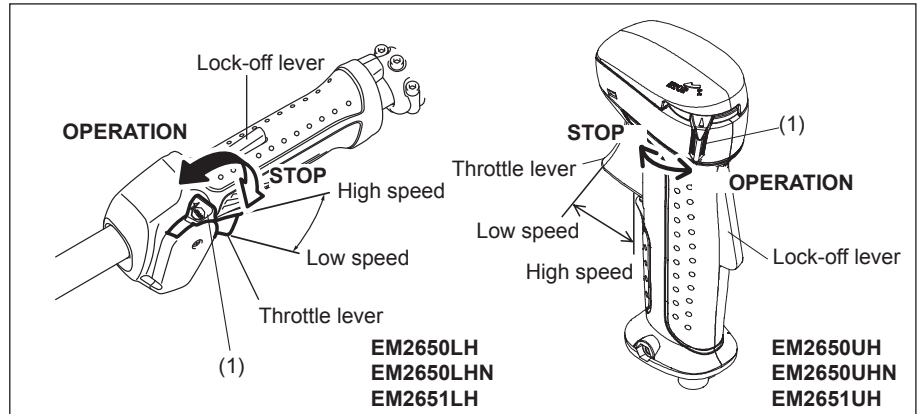


STARTING

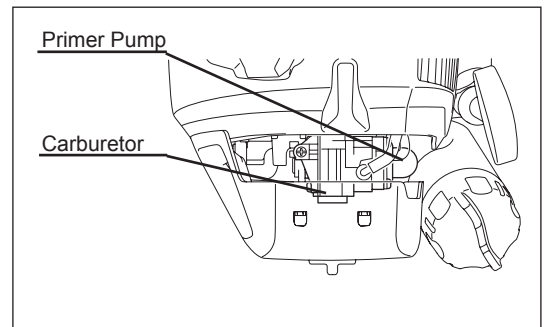
Move at least 3 m away from the place of refuelling. Place the Petrol Brushcutter on a clean piece of ground taking care that the cutting tool does not come into contact with the ground or any other objects.

A: Cold start

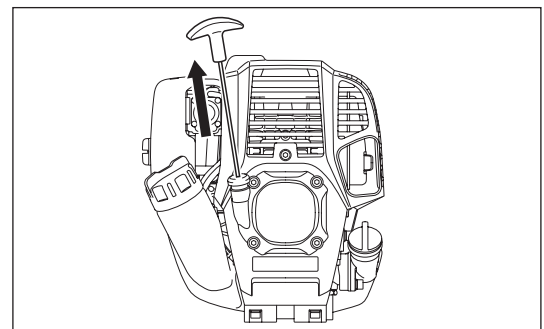
- 1) Set this machine on a flat space.
- 2) Set the I-O switch (1) to OPERATION.



- 3) Primer pump
Continue to push the primer pump until fuel enters into the primer pump. (In general, fuel enters into the primer pump by 7 to 10 pushes.)
If the primer pump is pushed excessively, an excess of gasoline returns to the fuel tank.



- 4) Recoil starter
Pull the start knob gently until it is hard to pull (compression point). Then, return the start knob, and pull it strongly.
Never pull the rope to the full. Once the start knob is pulled, never release your hand immediately. Hold the start knob until it returns to its original point.



- 5) Warm-up operation
Continue warm-up operation for 2 to 3 minutes.

Note: In case of excessive fuel intake, remove the spark plug and pull the starter handle slowly to remove excess fuel. Also, dry the electrode section of the spark plug.

Caution during operation:

If the throttle lever is opened fully in a no-load operation, the engine rotation is increased to 10,000 min⁻¹ or more. Never operate the engine at a higher speed than required and at an approximate speed of 6,000 - 8,500 min⁻¹.

B: Startup after warm-up operation

- 1) Push the primer pump repeatedly.
- 2) Keep the throttle lever at the idling position.
- 3) Pull the recoil starter strongly.
- 4) If it is difficult to start the engine, open the throttle by about 1/3.
Pay attention to the cutter blade which may rotate.

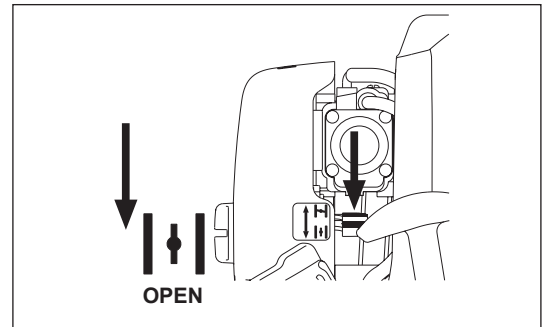
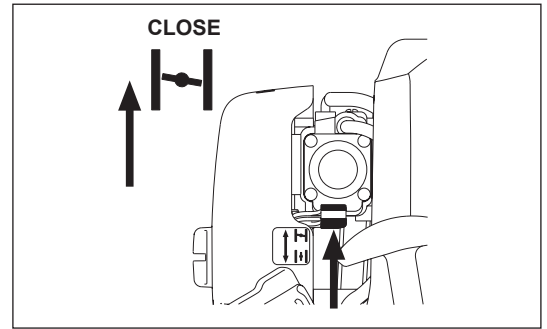
At times, such as winter, when starting the engine is difficult

Operate choke lever with the following procedure when starting engine.

- After implementing startup steps 1) to 3), set choke lever to the CLOSE position.
- Implement startup step 4) and start engine.
- Once engine starts, set choke lever to the OPEN position.
- Implement startup step 5) and complete warm up.

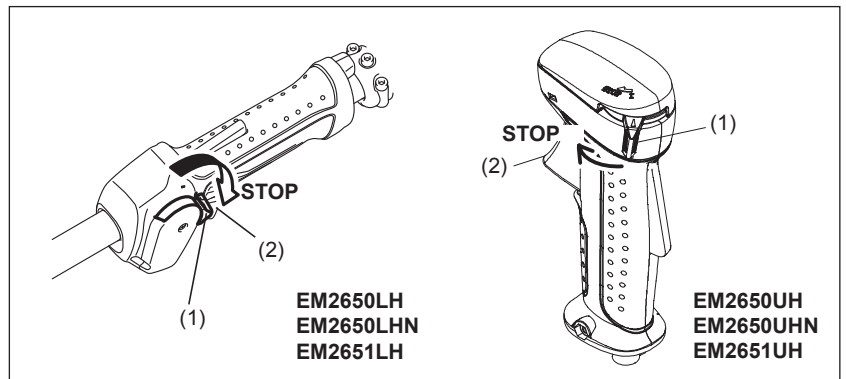
CAUTION: If a bang (explosive sound) is heard and the engine stops, or the just-started engine stalls before the choke lever is operated, return the choke lever to the OPEN position, and pull the starter knob a few times again to start the engine.

CAUTION: If the choke lever is left in the CLOSE position, and the starter knob merely pulled repeatedly, too much fuel will be sucked in, and the engine will become difficult to start.



STOPPING

- 1) Release the throttle lever (2) fully, and when the engine rpm has lowered, set the I-O switch to STOP the engine will now stop.
- 2) Be aware that the cutting head may not stop immediately and allow it to slow down fully.



ADJUSTMENT OF LOW-SPEED ROTATION (IDLING)

When it is necessary to adjust the low-speed rotation (idling), perform it by the carburetor adjusting screw.

CHECKUP OF LOW-SPEED ROTATION

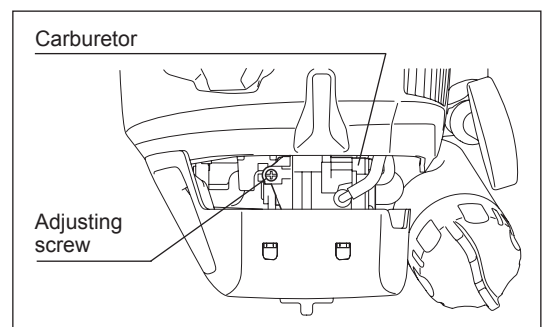
CAUTION:

The cutting attachment may be spinning during carburetor adjustments. Wear your protective equipment and observe all safety instructions. Be sure the cutting attachment stops turning when the engine idles.

CAUTION:

When the unit is turned off, make sure the cutting attachment has stopped before the unit is set down.

- Set the low-speed rotation to 3,000 min⁻¹.
If it is necessary to change the rotation speed, regulate the adjusting screw (illustrated on the right), with Phillips screwdriver.
- Turn the adjusting screw to the right, and the engine rotation will increase. Turn the adjusting screw to the left, and the engine rotation will drop.
- The carburetor is generally adjusted before shipment. If it is necessary to readjust it, please contact Authorized Service Agent.



SERVICING INSTRUCTIONS

CAUTION: Before doing any work on the Petrol Brushcutter, always stop the engine and pull the plug cap off the spark plug (see “checking the spark plug”).
Always wear protective gloves!

To ensure a long service life and to avoid any damage to the equipment, the following servicing operations should be performed at regular intervals.

Daily checkup and maintenance

- Before operation, check the machine for loose screws or missing parts. Pay particular attention to the tightness of the cutter blade or nylon cutting head.
- Before operation, always check for clogging of the cooling air passage and the cylinder fins. Clean them if necessary.
- Perform the following work daily after use:
 - Clean the Petrol Brushcutter externally and inspect for damage.
 - Clean the air filter. When working under extremely dusty conditions, clean the filter the several times a day.
 - Check the blade or the nylon cutting head for damage and make sure it is firmly mounted.
 - Check that there is sufficient difference between idling and engagement speed to ensure that the cutting tool is at a standstill while the engine is idling (if necessary reduce idling speed).
If under idling conditions the tool should still continue to run, consult your nearest Authorized Service Agent.
- Check the functioning of the I-O switch, the lock-off lever, the control lever, and the look button.

Metal blade resharpening

CAUTION:

The metal blades must only be resharpened by an authorized facility. Manual resharpening may result in imbalances of the cutting tool causing vibrations and damage to the equipment.

NOTE: To increase the service life of the cutter blade it may be turned over once, until both cutting edges have become blunt.

REPLACEMENT OF ENGINE OIL

Deteriorated engine oil will shorten the life of the sliding and rotating parts to a great extent. Be sure to check the period and quantity of replacement.



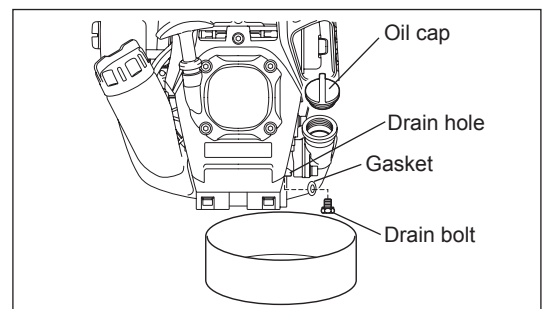
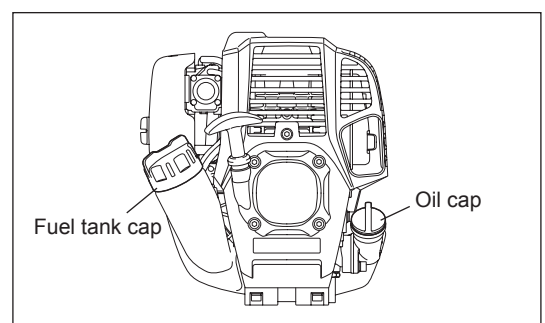
ATTENTION: In general, the engine main unit and engine oil still remain hot just after the engine is stopped. In replacement of oil, confirm that the engine main unit and engine oil are sufficiently cooled down. Otherwise, there may remain a risk of scald.

Note: If the oil filled above the limit, it may be contaminated or may catch fire with white smoke.

Interval of replacement: Initially, every 20 operating hours, and subsequently every 50 operating hours
Recommended oil: SAE10W-30 oil of API Classification SF Class or higher (4-stroke engine oil for automobile)

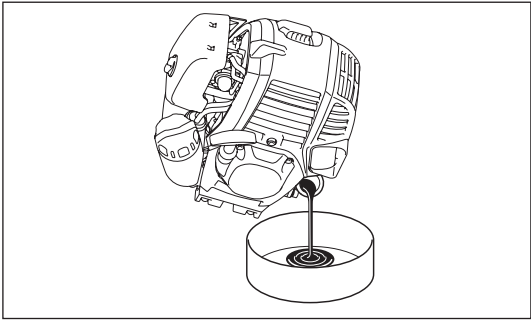
In replacement, perform the following procedure.

- 1) Confirm that the fuel tank cap is tightened securely.
- 2) Place large container (pan, etc.) under drain hole.
- 3) Remove drain bolt and then remove oil cap to drain out oil from drain hole. At this time, be sure not to mislay drain bolt's gasket, or to dirty any of the removed components.
- 4) Once all the oil has been drained, combine gasket and drain bolt, and tightly secure drain bolt, so that it will not loosen and cause leaks.
* Use cloth to fully wipe off any oil attached to bolt and equipment.

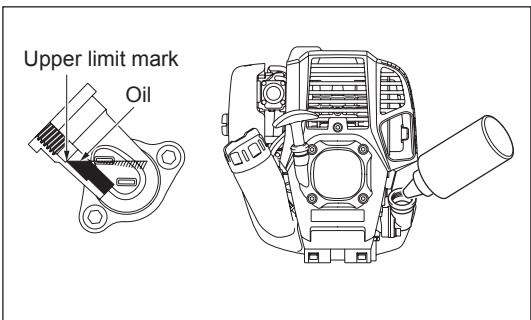
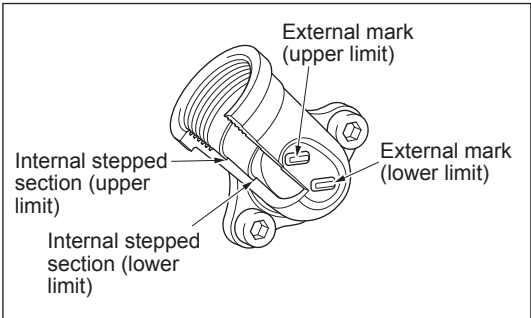


Alternative draining method

Remove oil cap, tilt Petrol Brushcutter toward oil filler hole, and drain out oil. Collect oil in container.



- 5) Set the engine level, and gradually fill up to upper limit mark with new oil.
- 6) After filling, tightly secure oil cap, so that it will not loosen and cause leaks. If oil cap is not tightly secured, it may leak.



POINTS ON OIL

- Never discard replaced engine oil in garbage, earth or sewage ditch. Disposal of oil is regulated by law. In disposal, always follow the relevant laws and regulations. For any points remaining unknown, contact Authorized Service Agent.
- Oil will deteriorate even when it is kept unused. Perform inspection and replacement at regular intervals (replace with new oil every 6 months).

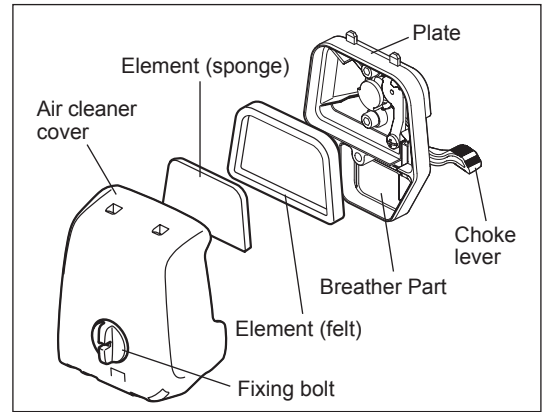
CLEANING OF AIR CLEANER



DANGER: INFLAMMABLES STRICTLY PROHIBITED

Interval of Cleaning and Inspection: Daily (every 10 operating hours)

- Turn the choke lever to the full close side, and keep the carburetor off from dust or dirt.
- Loosen the fixing bolt.
- Remove the air cleaner cover by pulling its bottom side.
- Remove the elements and tap them to remove dirt.
- If the elements are heavily contaminated:
Remove the elements, immerse them in warm water or in water-diluted neutral detergent, and dry them completely. Do not squeeze or rub them when washing.
- Before attaching the elements, be sure to dry them completely. Insufficient drying of the elements may lead to difficult startup.
- Wipe out oil adhering around the air cleaner cover and the breather part with waste cloth.
- Fit the element (sponge) into the element (felt).
Fit the elements into the plate so that the sponge faces the air cleaner cover.
- Immediately attach the cleaner cover and tighten it with fixing bolts. (In remounting, first place the upper claw, and then the lower claw.)



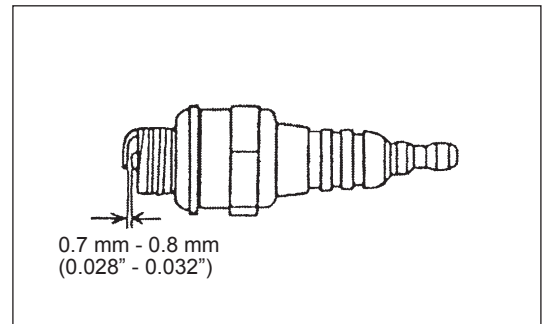
NOTICE:

- Clean the elements several times a day, if excessive dust adheres to it. Dirty elements reduce engine power and make starting engine difficult.
- Remove oil on the elements. If operation continues with the elements remaining not cleared of oil, oil in the air cleaner may fall outside, resulting in contamination of the environment.
- Do not put the elements on the ground or dirty place. Otherwise they pick up dirt or debris and it may damage the engine.
- Never use fuel for cleaning the elements. Fuel may damage them.

CHECKING THE SPARK PLUG

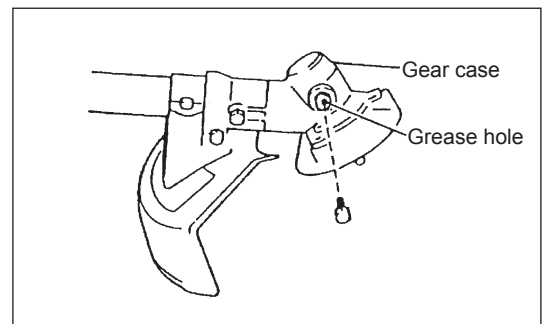
- Only use the supplied universal wrench to remove or to install the spark plug.
- The gap between the two electrodes of the spark plug should be 0.7 - 0.8 mm (0.028" - 0.032"). If the gap is too wide or too narrow, adjust it. If the spark plug is clogged or contaminated, clean it thoroughly or replace it.

CAUTION: Never touch the spark plug connector while the engine is running (danger of high voltage electric shock).



SUPPLY OF GREASE TO GEAR CASE

- Supply grease (Shell Alvania 2 or equivalent) to the gear case through the grease hole every 30 hours. (Genuine MAKITA grease may be purchased from your MAKITA dealer.)



CLEANING OF FUEL FILTER

WARNING: INFLAMMABLES STRICTLY PROHIBITED

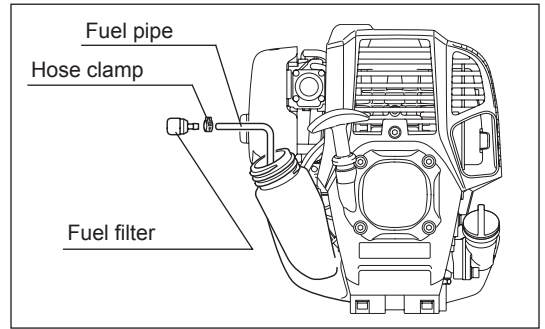
Interval of Cleaning and Inspection: Monthly (every 50 operating hours)

Suction head in the fuel tank

Check the fuel filter periodically. To check the fuel filter, follow the steps below.

- (1) Remove the fuel tank cap, drain the fuel to empty the tank. Check the tank inside for any foreign materials. If any, remove them.
- (2) Pull out the suction head by using a wire hook through the tank opening.
- (3) If the fuel filter clogged slightly, clean it. To clean it, gently shake and tap it in fuel. To avoid damage, do not squeeze or rub it. The fuel used for the cleaning must be disposed in accordance with the method specified by regulations in your country.
If the fuel filter became hard or heavily clogged up, replace it.
- (4) After checking, cleaning or replacing, push the fuel filter in all the way to the bottom of the fuel tank.

Clogged or damaged fuel filter can cause insufficient fuel supply and reduce engine power. Replace the fuel filter at least quarterly to ensure satisfactory fuel supply to the carburetor.



REPLACEMENT OF FUEL PIPE

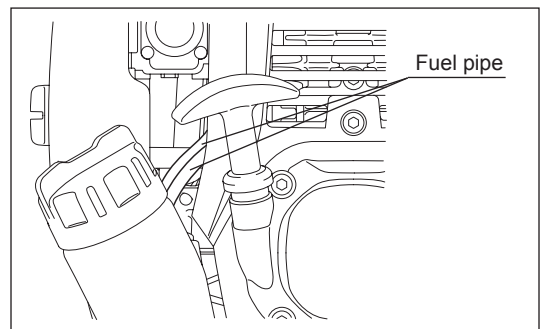
CAUTION: INFLAMMABLES STRICTLY PROHIBITED

Interval of Cleaning and Inspection: Daily (every 10 operating hours)

Replacement: Annually (every 200 operating hours)

Replace the fuel pipe every year, regardless of operating frequency. Fuel leakage may lead to fire.

If any leakage is detected during inspection, replace the oil pipe immediately.



INSPECTION OF BOLTS, NUTS AND SCREWS

- Retighten loose bolts, nuts, etc.
- Check for fuel and oil leakage.
- Replace damaged parts with new ones for safety operation.

CLEANING OF PARTS

- Keep the engine always clean.
- Keep the cylinder fins free of dust or dirt. Dust or dirt adhering to the fins will cause piston seizure.

REPLACEMENT OF GASKETS AND PACKINGS

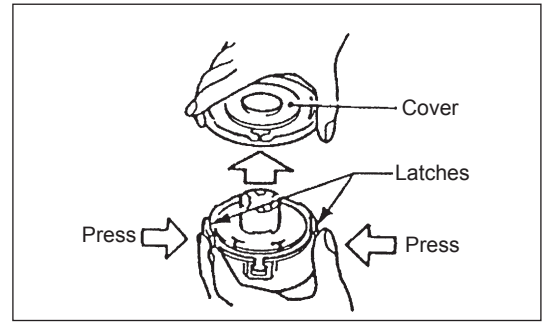
In reassembling after the engine is dismounted, be sure to replace the gaskets and packings with new ones.

Any maintenance of adjustment work that is not included and described in this manual is only to be performed by Authorized Service Agents.

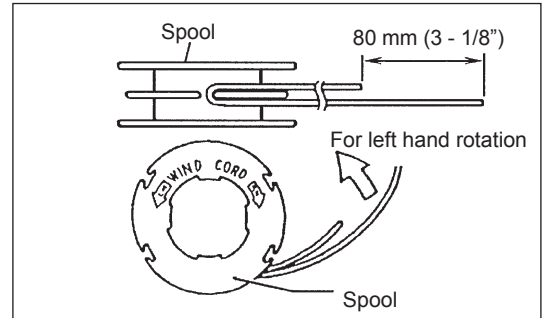
Replacing the nylon cord

(For ultra auto 4)

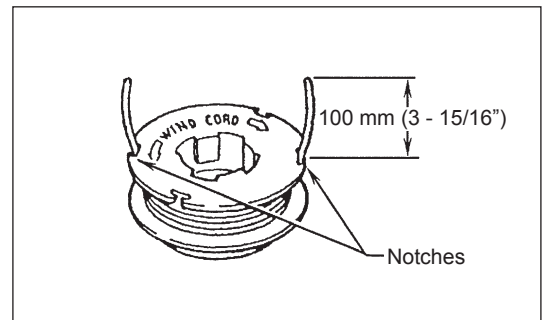
First, stop the engine.
Press on the housing latches inward to lift off the cover, then remove the spool.



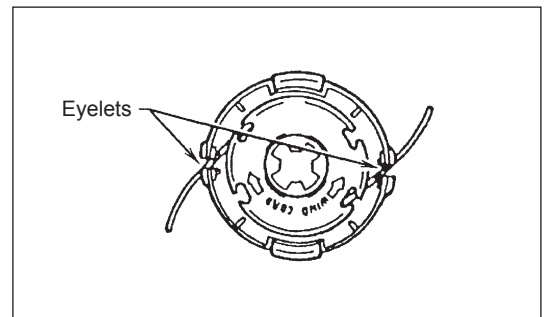
Hook the center of new nylon cord into the notch in the center of the spool, with one end of the cord extending about 80 mm (3 - 1/8") more than the other.
Then wind both ends firmly around the spool in the direction of the head rotation (left-hand direction indicated by LH and right-hand direction by RH on the side of the spool).



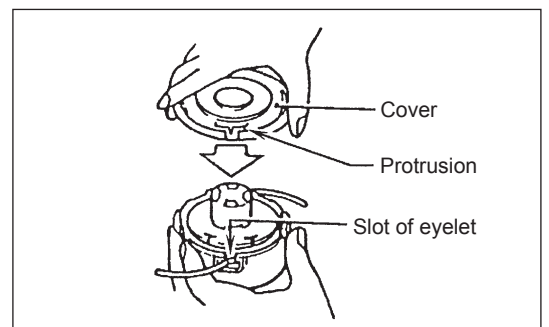
Wind all but about 100 mm (3 - 15/16") of the cords, leaving the ends temporarily hooked through a notch on the side of the spool.



Mount the spool in the housing so that the grooves and protrusions on the spool match up with those in the housing. Keep the side with letters on the spool visible on the top. Now, unhook the ends of the cord from their temporary position and feed the cords through the eyelets to come out of the housing.



Align the protrusion on the underside of the cover with the slots of the eyelets.
Then push cover firmly onto the housing to secure it.

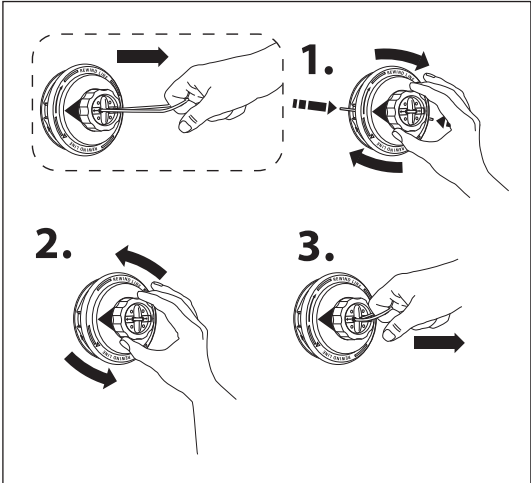


(For Proulx)

First, stop the engine.

Hold the housing securely and turn the spool clockwise until the remaining nylon cord retracts into the housing, and turn back and forth to relieve the cord stress.

Grasp the loop on top of the spool and pull it from the spool.



Prepare a nylon cord with the following specifications.

4.5 m (15 ft) length

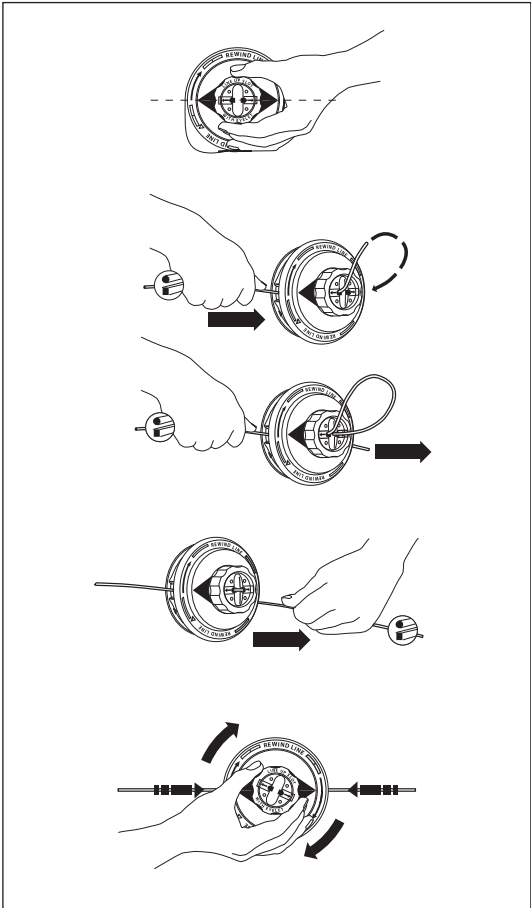
2.4 mm (0.095") diameter round cord or 2.0 mm (0.08") diagonal square cord.

Align the arrow on the spool with the eyelets on the housing.

Insert one end of the nylon cord into eyelet on the side of the housing, feed through hole on top of the spool and then re-insert into the second hole on top of the spool. Push the nylon cord into holes until the cord feeds through eyelets on side of the housing.

Push the nylon cord into holes feeding through eyelets on side of the housing until equal length on both sides.

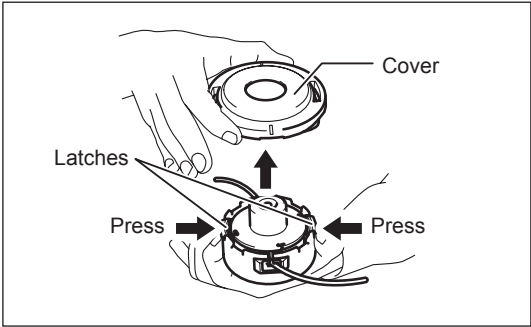
Hold the housing securely and turn the spool clockwise to wind the nylon cord into the spool.



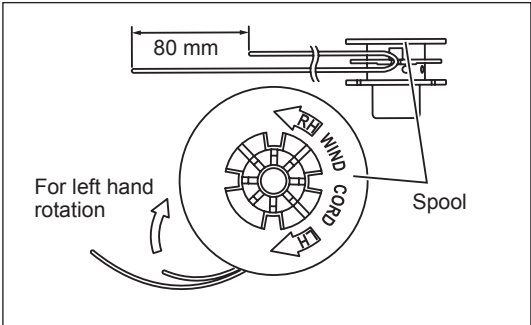
(For B & F4/Z5)

WARNING: Make sure that the cover of the nylon cutting head is secured to the housing properly as described below. Failure to properly secure the cover may cause the nylon cutting head to fly apart resulting in serious personal injury.

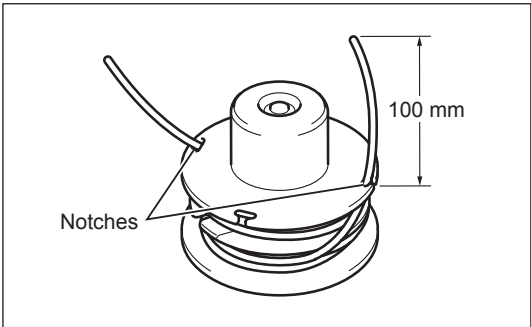
Press inward on the housing latches and lift upward to remove the cover. Discard any of the remaining nylon cord.



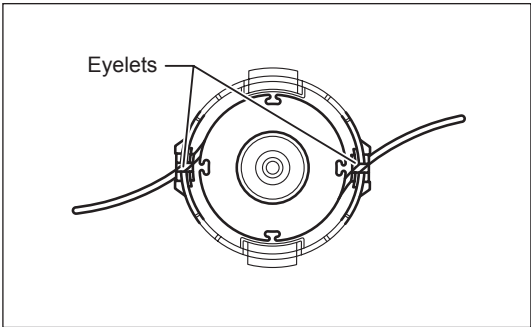
Hook the middle of the new nylon cord to the notch located at the center of the spool between the 2 channels provided for the nylon cord. One side of the cord should be about 80 mm longer than the other side. Wind both ends firmly around the spool in the direction left marked on the head for left hand direction indicated by LH.



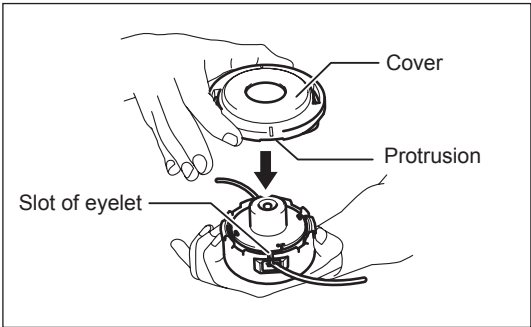
Wind all but about 100 mm of the cords, leaving the ends temporarily hooked through a notch on the side of the spool.



Mount the spool in the housing so that the grooves and protrusions on the spool match up with those in the housing. Keep the side with letters on the spool visible on the top. Now, unhook the ends of the cord from their temporary position and feed the cords through the eyelets to come out of the housing.

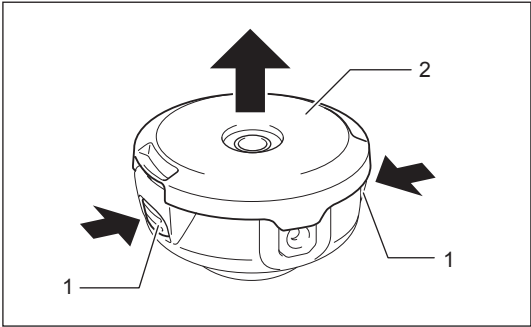


Align the protrusion on the underside of the cover with the slots of the eyelets. Then push cover firmly onto the housing to secure it. Make sure the latches fully spread in the cover.

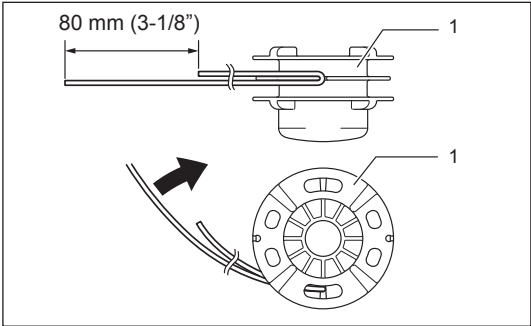


(For Bump & Feed type)

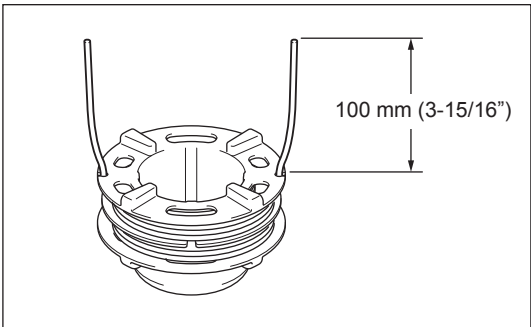
First, stop the engine.
Press on the housing latches (1) inward to lift off the cover (2), then remove the spool.



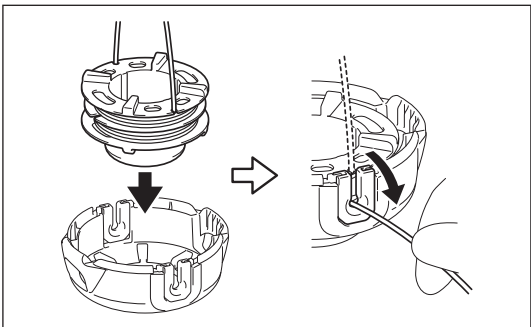
Hook the center of new nylon cord into the notch in the center of the spool (1), with one end of the cord extending about 80 mm (3 - 1/8") more than the other. Then wind both ends firmly around the spool in the direction of the head rotation (left-hand direction indicated by LH on the side of the spool).



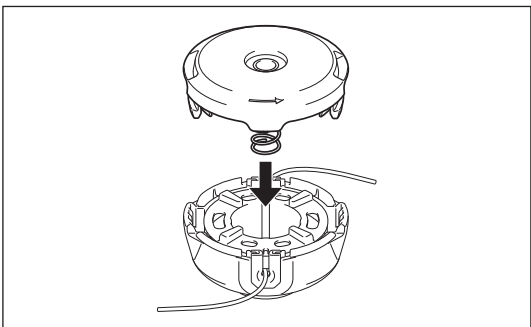
Wind all but about 100 mm (3 - 15/16") of the cords, leaving the ends temporarily hooked through a notch on the side of the spool.



Mount the spool in the housing so that the grooves and protrusions on the spool match up with those in the housing. Keep the side with letters on the spool visible on the top. Now, unhook the ends of the cord from their temporary position and feed the cords through the eyelets to come out of the housing.



Align the protrusion on the underside of the cover with the slots of the eyelets. Then push cover firmly onto the housing to secure it.



STORAGE

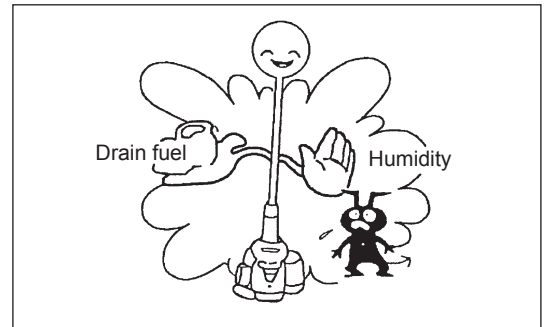


WARNING: When draining the fuel, be sure to stop the engine and confirm that the engine cools down.
Just after stopping the engine, it may still hot with possibility of burns, inflammability and fire.



ATTENTION: When the machine is kept out of operation for a long time, drain up all fuel from the fuel tank and carburetor, and keep it at a dry and clean place.

- Drain up fuel from the fuel tank and carburetor according to the following procedure:
 - 1) Remove the fuel tank cap, and drain fuel completely.
If there is any foreign matter remaining in the fuel tank, remove it completely.
 - 2) Pull out the fuel filter from the refill port using a wire.
 - 3) Push the primer pump until fuel is drained from there, and drain fuel coming into the fuel tank.
 - 4) Reset the filter to the fuel tank, and securely tighten the fuel tank cap.
 - 5) Then, continue to operate the engine until it stops.
- Remove the spark plug, and drip several drops of engine oil through the spark plug hole.
- Gently pull the starter handle so that engine oil will spread over the engine, and attach the spark plug.
- Attach the cover to the cutter blade.
- In general, store the machine in horizontal position, or if it is not possible, place the machine as the engine comes below the cutting tool. Otherwise engine oil may leak from inside. Pay full attention how to store the machine to prevent the machine from falling. Otherwise it may result in personal injury.
- Keep the drained fuel in a special container in a well-ventilated shade.



Attention after long-time storage

- Before startup after long-time shutdown, be sure to replace oil (refer to P 19). Oil will deteriorate while the machine is kept out of operation.

Fault location

Fault	System	Observation	Cause
Engine not starting or with difficulty	Ignition system	Ignition spark O.K.	Fault in fuel supply or compression system, mechanical defect
		No ignition spark	STOP-switch operated, wiring fault or short circuit, spark plug or connector defective, ignition module faulty
	Fuel supply	Fuel tank filled	Incorrect choke position, carburetor defective, fuel supply line bent or blocked, fuel dirty
	Compression	No compression when pulled over	Cylinder bottom gasket defective, crankshaft seals damaged, cylinder or piston rings defective or improper sealing of spark plug
Warm start problems	Mechanical fault	Starter not engaging	Broken starter spring, broken parts inside of the engine
		Tank filled ignition spark existing	Carburetor contaminated, have it cleaned
Engine starts but dies	Fuel supply	Tank filled	Incorrect idling adjustment, carburetor contaminated Fuel tank vent defective, fuel supply line interrupted, cable or STOP-switch faulty
Insufficient performance	Several systems may simultaneously be affected	Engine idling poor	Air filter contaminated, carburetor contaminated, muffler clogged, exhaust duct in the cylinder clogged

Item	Operating time	Before operation	After lubrication	Daily (10h)	30h	50h	200h	Shutdown/rest	Corresponding P
Engine oil	Inspect	○							14
	Replace					○*1			19
Tightening parts (bolt, nut)	Inspect	○							22
Fuel tank	Clean/inspect	○							—
	Drain fuel							○*3	27
Throttle lever	Check function		○						—
Stop switch	Check function		○						18
Cutting blade	Inspect	○		○					11
Low-speed rotation	Inspect/adjust			○					18
Air cleaner	Clean			○					21
Ignition plug	Inspect			○					21
Cooling air duct	Clean/inspect			○					22
Fuel pipe	Inspect			○					22
	Replace						◎*2		—
Gear-case grease	Refill				○				21
Fuel filter	Clean/replace					○			22
Clearance between air intake valve and air discharge valve	Adjust						◎*2		—
Engine overhaul							◎*2		—
Carburetor	Drain fuel							○*3	27

*1 Perform initial replacement after 20h operation.

*2 For the 200 operating hour inspection, request Authorized Service Agent or a machine shop.

*3 After emptying the fuel tank, continue to run the engine and drain fuel in the carburetor.

TROUBLESHOOTING

Before making a request for repairs, check a trouble for yourself. If any abnormality is found, control your machine according to the description of this manual. Never tamper or dismount any part contrary to the description. For repairs, contact Authorized Service Agent or local dealership.

State of abnormality	Probable cause (malfunction)	Remedy
Engine does not start	Failure to operate primer pump	Push 7 to 10 times
	Low pulling speed of starter rope	Pull strongly
	Lack of fuel	Feed fuel
	Clogged fuel filter	Clean
	Bent fuel tube	Straighten fuel tube
	Deteriorated fuel	Deteriorated fuel makes starting more difficult. Replace with new one. (Recommended replacement: 1 month)
	Excessive suction of fuel	Set throttle lever from medium speed to high speed, and pull starter handle until engine starts. Once engine starts, cutter blade starts rotating. Pay full attention to cutter blade. If engine will not start still, remove spark plug, make electrode dry, and reassemble them as they originally are. Then, start as specified.
	Detached plug cap	Attach securely
	Contaminated spark plug	Clean
	Abnormal clearance of spark plug	Adjust clearance
	Other abnormality of spark plug	Replace
	Abnormal carburetor	Make request for inspection and maintenance.
	Starter rope cannot be pulled	Make request for inspection and maintenance.
	Abnormal drive system	Make request for inspection and maintenance.
Engine stops soon Engine speed does not increase	Insufficient warm-up	Perform warm-up operation
	Choke lever is set to "CLOSE" although engine is warmed up.	Set to "OPEN"
	Clogged fuel filter	Clean or replace
	Contaminated or clogged air cleaner	Clean
	Abnormal carburetor	Make request for inspection and maintenance.
	Abnormal drive system	Make request for inspection and maintenance.
Cutter blade does not rotate ↓ Stop engine immediately	Loosened cutter blade-tightening nut	Tighten securely
	Twigs caught by cutter blade or dispersion-preventing cover.	Remove foreign matter
	Abnormal drive system	Make request for inspection and maintenance.
Main unit vibrates abnormally ↓ Stop engine immediately	Broken, bent or worn cutter blade	Replace cutter blade
	Loosened cutter blade-tightening nut	Tighten securely
	Shifted convex part of cutter blade and cutter blade support fitting.	Attach securely
	Abnormal drive system	Make request for inspection and maintenance.
Cutter blade does not stop immediately ↓ Stop engine immediately	High idling rotation	Adjust
	Detached throttle wire	Attach securely
	Abnormal drive system	Make request for inspection and maintenance.
Engine does not stop ↓ Run engine at idling, and set choke lever to CLOSE	Detached connector	Attach securely
	Abnormal electric system	Make request for inspection and maintenance.

When the engine does not start after warm-up operation:

If there is no abnormality found for the check items, open the throttle by about 1/3 and start the engine.

Merci pour votre achat de cette débroussailleuse thermique de MAKITA. Nous sommes ravis de vous proposer la débroussailleuse thermique de MAKITA, résultat d'un long programme de développement et de nombreuses années d'expérience et de connaissances.

Veillez lire ce livret qui explique en détails les nombreuses caractéristiques qui en font un outil d'une performance exceptionnelle. Il vous aidera à obtenir le meilleur résultat possible avec votre débroussailleuse thermique de MAKITA.



Table des matières	Page
Symboles.....	30
Consignes de sécurité.....	31
Données techniques.....	35
Nomenclature des pièces.....	37
Montage de la poignée.....	38
Montage du dispositif de protection.....	39
Montage du couteau ou de la tête à fil en nylon.....	40
Avant de commencer.....	42
Maniement correct de la machine.....	44
Avertissement de fonctionnement et comment l'arrêter.....	45
Instructions d'entretien.....	47
Entreposage.....	55

SYMBOLES

Le mode d'emploi contient les symboles suivants.

	Lisez le mode d'emploi et suivez les avertissements et les précautions de sécurité !		Éloignez les personnes et les animaux du lieu de travail !
	Usez d'attention et de soins tout particuliers !		Portez un casque protecteur, des lunettes de protection et des protège-oreilles !
	Interdit !		Vitesse d'outil maximale autorisée
	Restez à distance !		Carburant (Essence)
	Risque d'objets volants !		Démarrage manuel du moteur
	Ne fumez pas !		Arrêt d'urgence
	Pas de flammes nues !		Premier secours
	Portez des gants de protection !		SOUS TENSION/DÉMARRAGE
	Portez des bottes de sécurité avec des semelles antidérapantes. Les bottes de sécurité à doigts de pieds métalliques sont recommandées !		HORS TENSION/ARRÊT
	Choc en retour !		

CONSIGNES DE SÉCURITÉ

Instructions générales

- Lisez ce manuel d'instructions pour vous familiariser avec l'utilisation de l'appareil. Sans ces informations, vous risquez de vous mettre en danger ou de blesser d'autres personnes à cause d'une utilisation incorrecte.
- Il est préférable de ne prêter l'appareil qu'à des personnes expérimentées. Prêtez-leur systématiquement le manuel d'instructions.
- Veuillez d'abord solliciter des instructions de base auprès du vendeur, afin de vous familiariser avec le fonctionnement des débroussailleuses.
- Les enfants et les adolescents de moins de 18 ans ne doivent pas utiliser cet appareil. Les personnes de plus de 16 ans peuvent l'utiliser à des fins de formation, mais sous la supervision d'un formateur agréé.
- Faites preuve d'une extrême vigilance et attention.
- Utilisez l'appareil uniquement si vous êtes en bonne condition physique. Effectuez tout le travail avec calme et prudence. Vous êtes responsable par rapport aux autres personnes.
- N'utilisez jamais cet appareil après avoir consommé de l'alcool ou de la drogue, ou bien si vous vous sentez fatigué ou malade.
- Les lois en vigueur peuvent restreindre l'utilisation de l'outil.

Utilisation prévue de l'outil

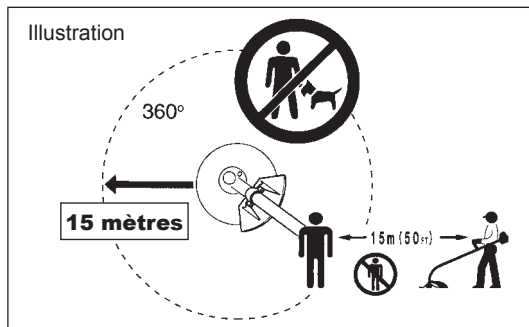
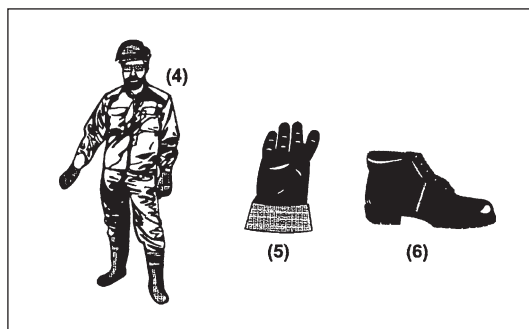
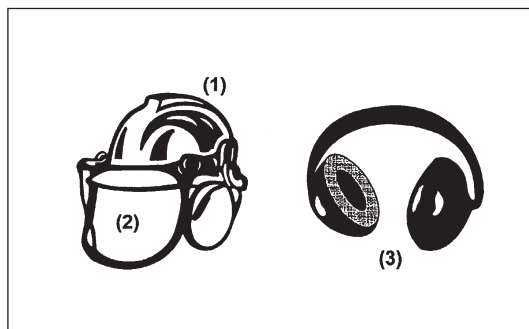
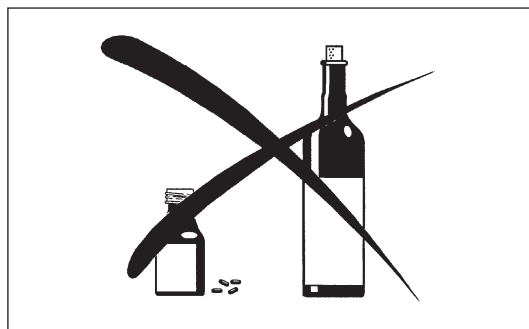
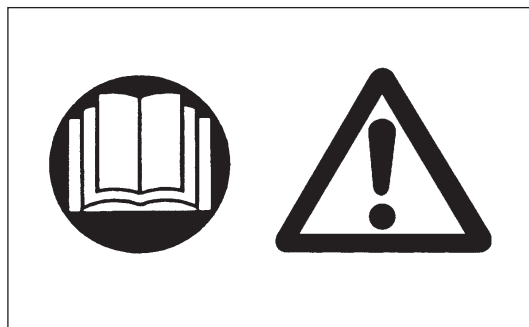
- Cet appareil est destiné uniquement à couper le gazon, les mauvaises herbes, les buissons et les sous-bois. Il ne doit pas être utilisé à d'autres fins, telles que la taille des bordures ou des haies, car cela comporte un risque de blessure.

Équipement de protection individuelle

- Les vêtements que vous portez doivent être fonctionnels et adaptés, c'est-à-dire qu'ils doivent être près du corps, sans pour autant gêner vos mouvements. Ne portez pas de bijoux ou de vêtements qui pourraient s'emmêler dans les taillis ou les petits arbustes.
- L'équipement de protection suivant ainsi que les vêtements de protection doivent être utilisés afin d'éviter des blessures au pied, à la main, aux yeux et à la tête ainsi que pour protéger votre ouïe durant l'utilisation.
- Portez toujours un casque en cas de risque de chute d'objets. Le casque de protection (1) doit être vérifié à intervalles réguliers pour parer à d'éventuels dommages et il doit être remplacé au plus tard tous les 5 ans. N'utilisez que des casques de protection agréés.
- La visière (2) du casque (ou alternativement les lunettes) protège le visage des débris et des pierres qui volent. Pendant l'utilisation, portez toujours des lunettes de protection ou une visière pour éviter toute blessure aux yeux.
- Portez un équipement de protection antibruit adéquat afin d'éviter toute perte auditive (coquilles antibruit (3), bouchons d'oreille etc.).
- Les vêtements de travail (4) protègent contre les débris et les pierres qui volent. Nous vous recommandons fortement de porter des vêtements de travail.
- Les gants (5) font partie de l'équipement prescrit et doivent toujours être portés pendant l'utilisation.
- Lorsque vous utilisez l'appareil, portez toujours des chaussures robustes (6) équipées de semelles anti-dérapantes. Elles vous protégeront des blessures éventuelles et vous assureront une bonne stabilité.

Démarrage de la débroussailleuse

- Éloignez les personnes et les enfants à une distance minimum de 15 mètres du lieu de travail et faites attention aux animaux qui pourraient se trouver à proximité.
- Avant l'utilisation, vérifiez toujours que l'appareil ne présente aucun danger : Vérifiez la sécurité de l'outil de coupe, la maniabilité du levier d'accélération ainsi que le bon fonctionnement du verrouillage du levier d'accélération.
- La rotation du dispositif de coupe au repos est interdite. En cas de doute, vérifiez le réglage avec votre revendeur. Vérifiez que les poignées sont propres et sèches et que l'interrupteur marche/arrêt fonctionne correctement.

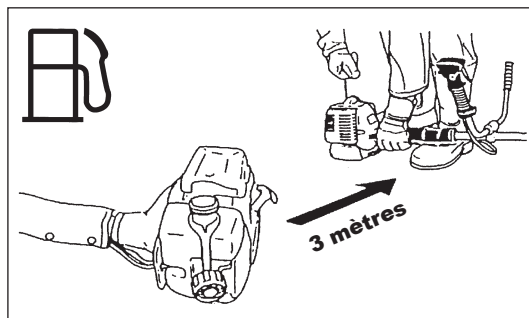
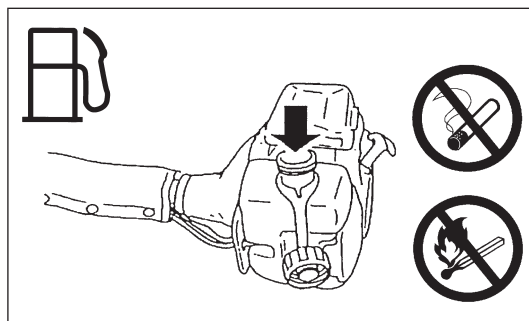
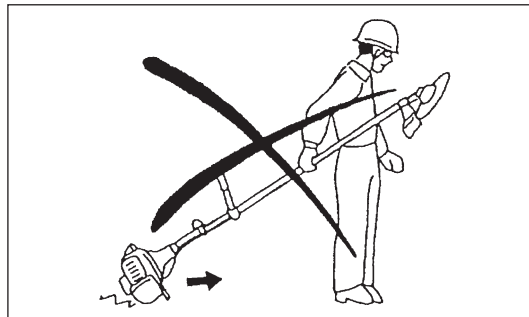
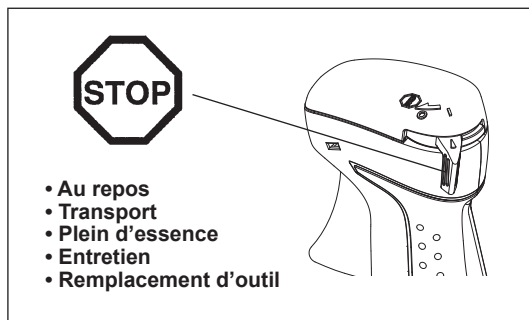
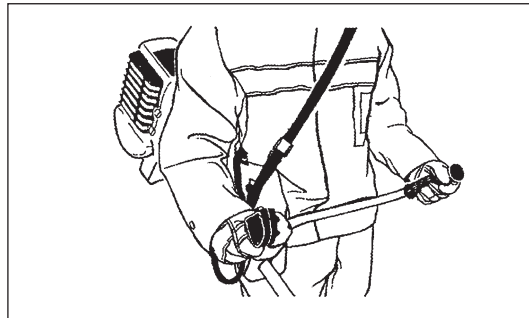
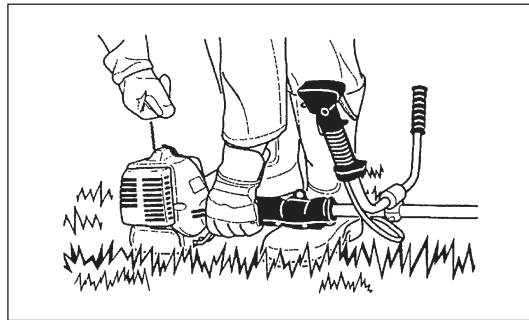


Ne démarrez la débroussailleuse qu'en conformité avec les instructions.

- Ne démarrez pas le moteur selon une autre méthode !
- Utilisez la débroussailleuse et les outils uniquement pour les applications spécifiées.
- Ne démarrez le moteur qu'après avoir procédé au montage complet de l'appareil. Le fonctionnement de l'outil n'est autorisé qu'une fois l'ensemble des accessoires fixés !
- Avant de démarrer, assurez-vous que l'outil de coupe n'est pas en contact avec des objets durs tels que des branches, des pierres, etc. et qu'il tournera au démarrage.
- En cas de problème avec le moteur, éteignez-le immédiatement.
- Si l'outil de coupe heurte des pierres ou d'autres objets durs, arrêtez immédiatement le moteur et examinez l'outil de coupe.
- Examinez l'outil de coupe à intervalles réguliers courts pour vous assurer qu'il n'a pas subi de dommages (détection de fissures capillaires à l'aide du test de tapping).
- En cas de chute ou d'impact de l'appareil, vérifiez qu'il est en bon état avant de poursuivre le travail. Vérifiez qu'il n'y a pas de fuite de carburant dans le circuit d'alimentation, et que les commandes et dispositifs de sécurité fonctionnent correctement. En cas de dommage ou de doute, demandez à un centre d'entretien agréé d'examiner et de réparer l'outil.
- N'utilisez l'appareil qu'avec la bandoulière que vous devez régler correctement avant de mettre la débroussailleuse en marche. Il est très important de régler la bandoulière selon votre taille afin d'éviter toute fatigue supplémentaire pendant l'utilisation. Ne tenez jamais l'outil d'une seule main pendant l'utilisation.
- Tenez toujours la débroussailleuse à deux mains. Assurez-vous toujours d'avoir une bonne stabilité.
- Utilisez l'appareil de façon à éviter d'inhaler les gaz d'échappement. Ne faites jamais tourner le moteur dans une pièce confinée (risque d'intoxication aux gaz). Le monoxyde de carbone est un gaz inodore.
- Éteignez le moteur lorsque vous faites une pause ou laissez l'appareil sans surveillance, et placez-le dans un endroit sûr pour éviter de mettre en danger les autres personnes ou d'endommager l'outil.
- Ne placez jamais la débroussailleuse sur de l'herbe sèche ou des matériaux combustibles.
- Installez toujours le protège-lame de l'outil de coupe approuvé sur l'appareil avant de démarrer le moteur. Sinon, un contact avec l'outil de coupe pourrait causer de graves blessures.
- Vous devez utiliser toutes les installations protectives et protections fournies avec l'outil durant l'utilisation.
- Ne faites jamais fonctionner le moteur si le pot d'échappement est endommagé.
- Éteignez le moteur durant le transport.
- Lorsque vous transportez l'appareil, fixez toujours le couvercle sur la lame de coupe.
- Pour éviter toute fuite de carburant, assurez-vous que l'appareil est bien fixé lors des transports en voiture.
- Lors du transport, assurez-vous que le réservoir de carburant est complètement vide.
- Lorsque vous déchargez l'appareil du coffre, ne laissez jamais tomber le moteur au sol, car cela risquerait d'endommager le réservoir de carburant.
- Sauf en cas d'urgence, ne laissez jamais tomber l'appareil et ne le jetez pas sur le sol, au risque de l'endommager grièvement.
- Veillez à soulever l'ensemble du matériel du sol lorsque vous le déplacez. Il est très dangereux de traîner le réservoir de carburant : cela risque de créer des fuites de carburant, voire un incendie.

Ravitaillement en carburant

- Lors du ravitaillement en carburant, coupez le moteur, éloignez-le des flammes nues et ne fumez pas.
- Évitez tout contact entre la peau et l'essence. N'inhaliez pas les vapeurs de carburant. Portez toujours des gants de protection durant le ravitaillement en carburant. Changez et nettoyez régulièrement les vêtements de protection.
- Veillez à ne pas renverser de carburant ou d'huile, afin d'éviter toute contamination du sol (protection environnementale). Nettoyez immédiatement la débroussailleuse en cas d'écoulement de carburant.
- Évitez tout contact entre vos vêtements et le carburant. Si vous renversez du carburant sur vos vêtements, changez-en immédiatement (pour éviter que vos vêtements ne prennent feu).
- Vérifiez régulièrement le bouchon du réservoir pour vous assurer qu'il est bien fermé et ne fuit pas.
- Serrez soigneusement le bouchon du réservoir de carburant. Déplacez-vous pour démarrer le moteur (éloignez-vous à au moins 3 mètres de l'endroit où vous avez fait le plein).
- Ne faites jamais le plein dans une pièce confinée. Les vapeurs de carburant s'accumulent au niveau du sol (risque d'explosion).
- Transportez et stockez le carburant uniquement dans des récipients agréés. Assurez-vous que les enfants ne peuvent pas accéder au carburant.



Mode d'emploi

- N'utilisez l'appareil que si les conditions d'éclairage et de luminosité sont satisfaisantes. En hiver, soyez attentif aux zones glissantes ou mouillées, au verglas et à la neige (risque de glissade). Assurez-vous toujours d'avoir une bonne stabilité.
- Ne coupez jamais à une hauteur supérieure aux épaules.
- Ne montez jamais sur une échelle.
- Ne montez jamais dans un arbre pour procéder à la coupe.
- Ne travaillez jamais sur des surfaces instables.
- Enlevez le sable, les pierres, les clous etc., trouvés à l'intérieur du périmètre de travail.
Des corps étrangers peuvent endommager l'outil de coupe et causer des chocs en retour dangereux.
- Avant de commencer à couper, l'outil de coupe doit avoir atteint sa vitesse de travail maximale.
- En cas d'utilisation de lames métalliques, balancez l'outil régulièrement en demi-cercle de droite à gauche, comme si vous utilisiez une faux.
Si de l'herbe ou des branches sont coincées entre l'outil de coupe et le protège-lame, coupez toujours le moteur avant de procéder au nettoyage.
Sinon, la rotation imprévue de la lame pourrait causer de graves blessures.
- Reposez-vous pour éviter toute perte de contrôle due à la fatigue. Il est recommandé de faire une pause de 10 à 20 minutes toutes les heures.

Outils de coupe

- Utilisez un outil de coupe adapté au travail à effectuer.
Les têtes à fil de nylon (têtes de taille à fils) conviennent au taillage du gazon.
Les lames métalliques permettent de couper les mauvaises herbes, les herbes hautes, les buissons, les petits arbustes, les sous-bois, les fourrés et autres végétaux similaires.
N'utilisez jamais d'autres lames, dont les chaînes pivotantes en métal et les lames batteuses. Dans le cas contraire, l'appareil risquerait de blesser grièvement des personnes.
- Lors de l'utilisation de lames métalliques, évitez les « chocs en retour » et préparez-vous toujours à un choc en retour accidentel. Reportez-vous à la section « Choc en retour » et « Prévention des chocs en retour ».

Choc en retour (poussée de lame)

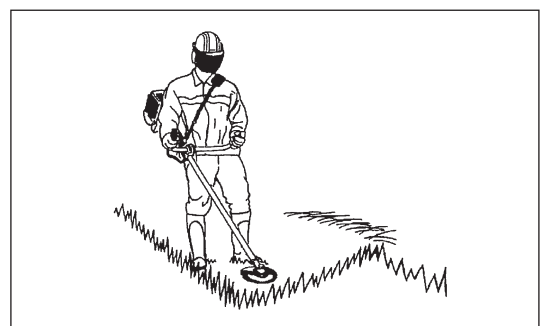
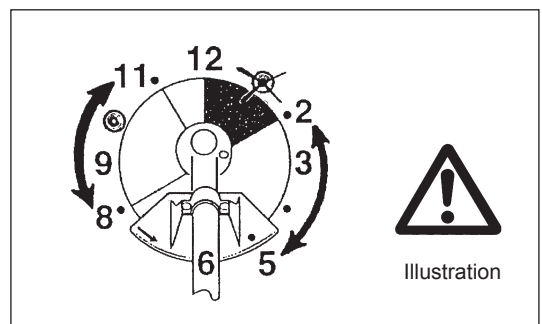
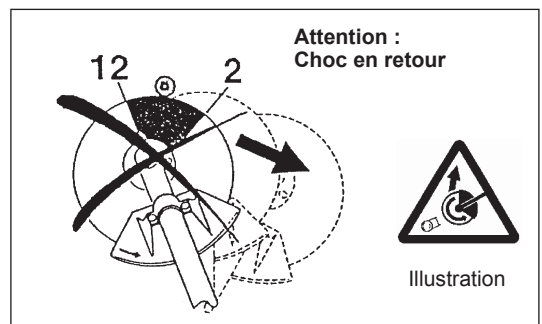
- Le choc en retour (poussée de lame) est une réaction soudaine d'une lame de coupe agrippée ou coincée. Lorsque cela se produit, l'outil est projeté fortement sur le côté ou vers l'opérateur et il peut provoquer des blessures graves.
- Le choc en retour se produit en particulier lorsque vous appliquez le segment de lame entre 12 heures et 2 heures sur des corps solides, des buissons ou des arbres de 3 cm de diamètre ou plus.
- Pour éviter les chocs en retour :
 - Appliquez le segment entre 8 heures et 11 heures ;
 - N'appliquez jamais le segment entre 12 heures et 2 heures ;
 - N'appliquez jamais le segment entre 11 heures et 12 heures et entre 2 heures et 5 heures, sauf si vous avez reçu une bonne formation et êtes expérimenté(e), et ceci à vos propres risques ;
 - N'utilisez jamais les lames de coupe près d'éléments solides, tels que des barrières, des murs, des troncs d'arbres et des pierres ;
 - N'utilisez jamais les lames de coupe verticalement pour tailler des bordures ou des haies.

Vibrations

- Les personnes souffrant de troubles circulatoires peuvent subir des blessures au niveau des vaisseaux sanguins ou du système nerveux si elles sont exposées à des vibrations excessives. Les vibrations peuvent entraîner les symptômes suivants aux doigts, mains ou poignets : engourdissement, picotements, douleur, sensation lancinante, altération de la couleur ou de l'aspect de la peau. Si l'un ou l'autre de ces symptômes apparaît, consultez un médecin !
- Afin de réduire le risque de syndrome des vibrations du système main-bras, gardez vos mains au chaud et maintenez correctement l'appareil et ses accessoires.

Instructions d'entretien

- L'entretien de votre appareil doit être effectué par l'un de nos centres d'entretien agréés et seules des pièces de rechange authentiques doivent être utilisées. Une réparation incorrecte et un entretien défectueux peuvent réduire la durée de vie de l'appareil et accroître le risque d'accidents.
- Avant de commencer à utiliser l'outil, vérifiez son état, notamment l'outil de coupe des dispositifs de protection et la bandoulière. Examinez également avec une attention toute particulière les lames de coupe, qui doivent être bien affûtées.
- Coupez le moteur et retirez le connecteur de bougies lorsque vous remplacez ou aigüez les dispositifs de coupe et lorsque vous nettoyez la lame de coupe ou le dispositif de coupe.



Ne redressez et ne soudez jamais des outils de coupe endommagés.

- Respectez l'environnement. Pour réduire la pollution et les émissions sonores, évitez tout fonctionnement inutile du papillon des gaz. Réglez correctement le carburateur.
- Nettoyez régulièrement l'appareil et vérifiez que l'ensemble des vis et des écrous est bien serré.
- Ne procédez jamais à l'entretien de l'appareil et ne le rangez pas à proximité de flammes nues.
- Rangez toujours l'appareil dans une pièce fermée, après avoir vidé le réservoir de carburant.
- Lors du nettoyage, de l'entretien et du stockage de l'appareil, fixez toujours le couvercle à la lame de coupe.



Respectez les instructions de prévention des accidents publiées par les associations professionnelles concernées et les compagnies d'assurance.

N'effectuez aucune modification sur l'appareil, au risque de mettre votre sécurité en danger.

L'exécution de l'entretien ou des réparations par l'utilisateur est limitée aux activités décrites dans le manuel d'instructions. Toute autre tâche doit être réalisée par un agent d'entretien agréé. N'utilisez que des pièces de rechange et des accessoires d'origine fournis par MAKITA.

L'utilisation d'accessoires ou d'outils non agréés augmente les risques d'accident.

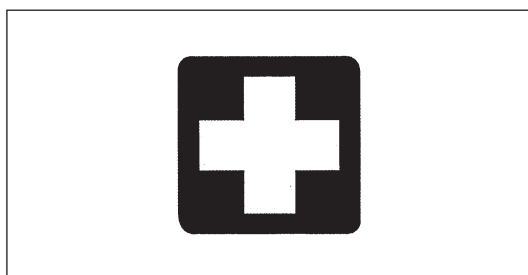
MAKITA n'acceptera aucune responsabilité pour des accidents ou des dommages causés par l'utilisation d'outils de coupe, de dispositifs de fixation d'outils de coupe ou d'accessoires.

Premiers secours

En cas d'accident, assurez-vous qu'une mallette de premier secours se trouve à proximité des opérations de coupe. Remplacez immédiatement tout article pris dans la mallette de premier secours.

Lorsque vous demandez de l'aide, veuillez fournir les renseignements suivants :

- Lieu de l'accident
- Ce qui s'est passé
- Nombre de personnes blessées
- Types de blessures
- Votre nom



Pour les pays d'Europe uniquement

Déclaration de conformité CE

La Déclaration de conformité CE figure en Annexe A du présent mode d'emploi.

DONNÉES TECHNIQUES

Modèle		EM2650UH	EM2650UHN	EM2650LH	EM2650LHN	
Type de poignée		Poignée de vélo		Poignée fermée		
Dimensions : longueur x largeur x hauteur (sans l'outil de coupe) mm		1 765 x 620 x 474		1 765 x 330 x 264		
Poids (sans la protection plastique et l'outil de coupe) kg		5,6		5,3		
Volume (réservoir d'essence) L		0,6				
Volume (réservoir d'huile) L		0,08				
Déplacement du moteur cm ³		25,4				
Performance maximale du moteur kw		0,77 à 7 000 min ⁻¹				
Vitesse du moteur à la vitesse de l'axe max. recommandée min ⁻¹		10 000				
Vitesse maximale de l'axe (correspondante) min ⁻¹		7 400				
Vitesse au ralenti min ⁻¹		3 000				
Vitesse d'enclenchement de l'engrenage min ⁻¹		3 900				
Carburateur		Type de diaphragme				
Système d'allumage		De type aimant sans contact				
Bougie d'allumage type		NGK CMR4A				
Distance entre les électrodes mm		0,7 - 0,8				
Vibrations selon la norme ISO 22867	Poignée droite (prise arrière)	a _{hv eq} m/s ²	3,4	—	6,5	5,0
		Incertitude K m/s ²	0,6	—	2,3	1,3
	Poignée gauche (prise avant)	a _{hv eq} m/s ²	4,5	—	6,7	6,4
		Incertitude K m/s ²	0,6	—	1,9	1,4
Moyenne du niveau de pression acoustique selon la norme ISO 22868		L _{PA eq} dBA	96,6	—	96,6	91,6
		Incertitude K dBA	0,9	—	0,9	3,1
Moyenne du niveau de puissance acoustique selon la norme ISO 22868		L _{WA eq} dBA	105,5	—	105,5	101,6
		Incertitude K dBA	1,3	—	1,3	2,0
Carburant		Essence automobile				
Huile moteur		Huile de classe API, classe SF ou supérieure ou huile SAE 10W-30 (huile moteur 4 temps pour automobile)				
Outils de coupe (diamètre couteau) mm		230				
Rapport de vitesse		14/19				

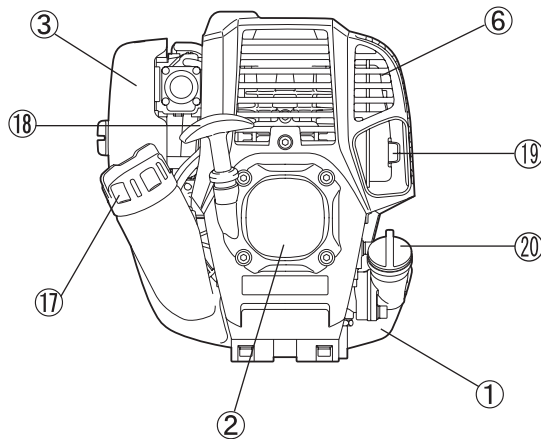
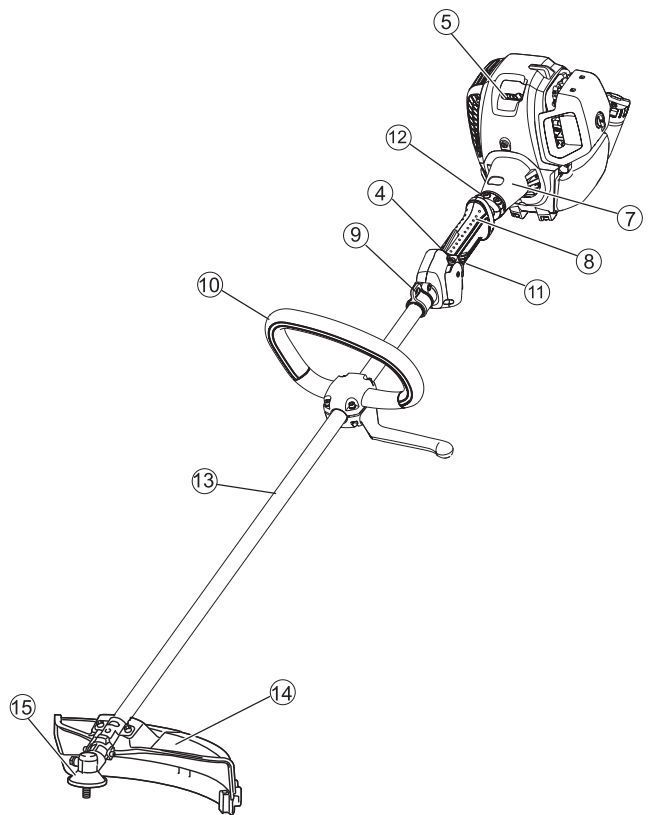
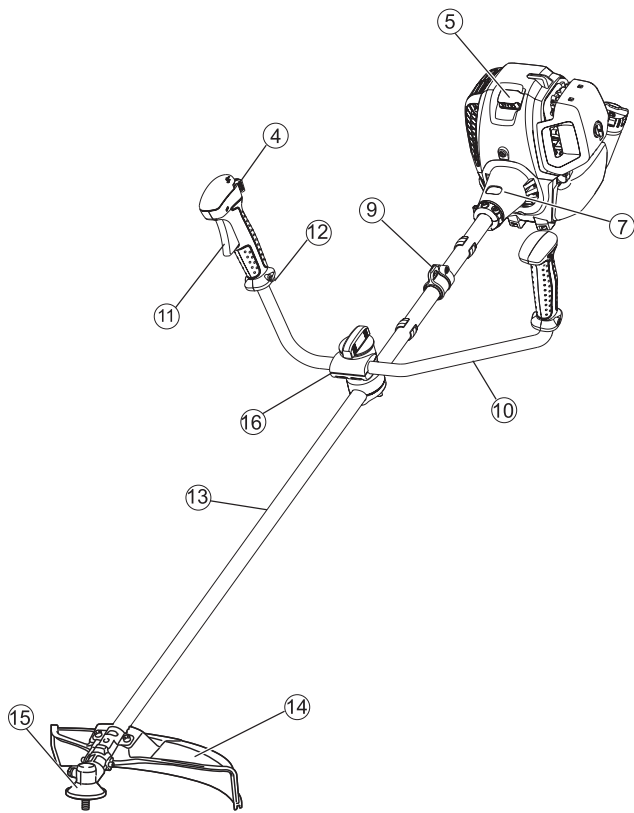
DONNÉES TECHNIQUES

Modèle		EM2651UH	EM2651LH	
Type de poignée		Poignée de vélo	Poignée fermée	
Dimensions : longueur x largeur x hauteur (sans l'outil de coupe) mm		1 765 x 620 x 474	1 765 x 330 x 264	
Poids (sans la protection plastique et l'outil de coupe) kg		5,8	5,3	
Volume (réservoir d'essence) L		0,6		
Volume (réservoir d'huile) L		0,08		
Déplacement du moteur cm ³		25,4		
Performance maximale du moteur kw		0,77 à 7 000 min ⁻¹		
Vitesse du moteur à la vitesse de l'axe max. recommandée min ⁻¹		10 000		
Vitesse maximale de l'axe (correspondante) min ⁻¹		7 400		
Vitesse au ralenti min ⁻¹		3 000		
Vitesse d'enclenchement de l'engrenage min ⁻¹		3 900		
Carburateur		Type de diaphragme		
Système d'allumage		De type aimant sans contact		
Bougie d'allumage type		NGK CMR4A		
Distance entre les électrodes mm		0,7 - 0,8		
Vibrations selon la norme ISO 22867	Poignée droite (prise arrière)	a _{hv eq} m/s ²	3,3	5,7
		Incertitude K m/s ²	0,8	1,2
	Poignée gauche (prise avant)	a _{hv eq} m/s ²	4,3	6,0
		Incertitude K m/s ²	1,6	1,8
Moyenne du niveau de pression acoustique selon la norme ISO 22868		L _{PA eq} dBA	96,6	
		Incertitude K dBA	0,9	
Moyenne du niveau de puissance acoustique selon la norme ISO 22868		L _{WA eq} dBA	105,5	
		Incertitude K dBA	1,3	
Carburant		Essence automobile		
Huile moteur		Huile de classe API, classe SF ou supérieure ou huile SAE 10W-30 (huile moteur 4 temps pour automobile)		
Outils de coupe (diamètre couteau) mm		230		
Rapport de vitesse		14/19		

NOMENCLATURE DES PIÈCES

EM2650UH
EM2650UHN
EM2651UH

EM2650LH
EM2650LHN
EM2651LH



F	NOMENCLATURE DES PIÈCES
1	Réservoir de carburant
2	Démarrateur à rappel
3	Filtre à air
4	Interrupteur I-O (marche/arrêt)
5	Bougie d'allumage
6	Pot d'échappement
7	Carter d'embrayage
8	Prise arrière
9	Crochet de suspension
10	Poignée
11	Levier de manœuvre
12	Câble de contrôle
13	Arbre
14	Dispositif de protection (protège-lame de l'outil de coupe)
15	Boîte d'engrenage/Boîte de la tête
16	Support de poignée
17	Bouchon de réservoir de carburant
18	Bouton de démarrage
19	Tuyau d'échappement
20	Jauge d'huile

MONTAGE DE LA POIGNÉE

ATTENTION : Avant de faire un travail quelconque sur la débroussailleuse thermique, il faut toujours arrêter le moteur et débrancher le connecteur des bougies.

Portez toujours des gants de protection !

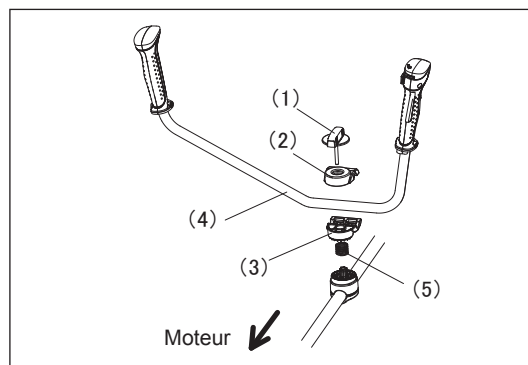
ATTENTION : Démarrez la débroussailleuse thermique uniquement après l'avoir entièrement montée.



Pour les modèles d'outils avec poignées de vélo

- Dévissez le bouton (1).
- Placez la poignée (4) entre le boulon de serrage (2) et le support de poignée (3).
- Réglez la poignée (4) à un angle permettant une position de travail confortable, puis serrez fermement le bouton à la main (1).

ATTENTION : N'oubliez d'insérer le ressort (5).

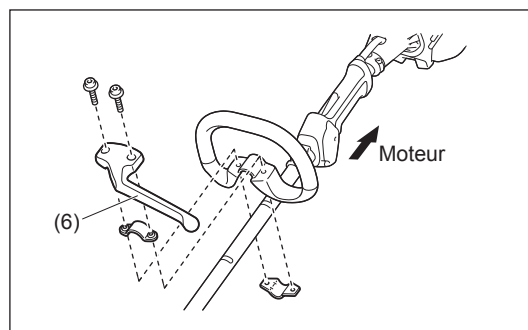
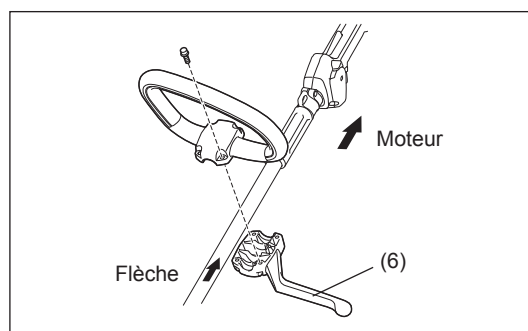


Pour les modèles d'outils avec poignée fermée

- Fixez un garde-fou (6) sur le côté gauche de la machine avec la poignée pour votre protection.
- Assurez-vous que l'ensemble poignée/garde-fou est ajusté entre le dispositif d'espacement et la flèche.

AVERTISSEMENT : Ne retirez pas ou ne réduisez pas le dispositif d'espacement. Le dispositif d'espacement maintient une certaine distance entre les deux mains. Installer l'ensemble poignée/garde-fou proche de l'autre poignée au-delà de la longueur du dispositif d'espacement pourrait causer une perte de contrôle et de graves blessures.

Remarque : Dans certains pays, la poignée peut ne pas disposer d'un garde-fou.



MONTAGE DU DISPOSITIF DE PROTECTION

AVERTISSEMENT :

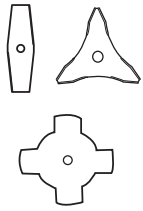

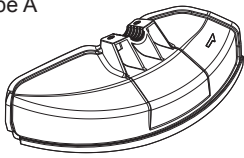
Utilisez toujours l'outil avec la combinaison d'équipements de sécurité agréés. Dans le cas contraire, tout contact avec l'outil de coupe risque d'entraîner de graves blessures.

ATTENTION :

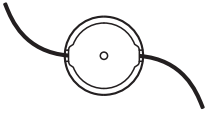
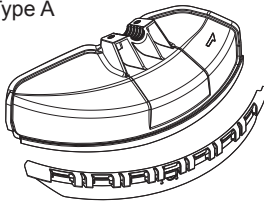
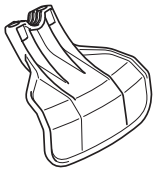
Serrez les boulons de gauche et de droite de manière égale, afin que l'espace entre la rondelle et le dispositif de protection soit constant. Dans le cas contraire, le dispositif de protection risque de ne pas fonctionner comme prévu.

Pour satisfaire aux règles de sécurité en vigueur, utilisez uniquement l'outil/le dispositif de protection comme indiqué dans le tableau.

Utilisation de la lame métallique

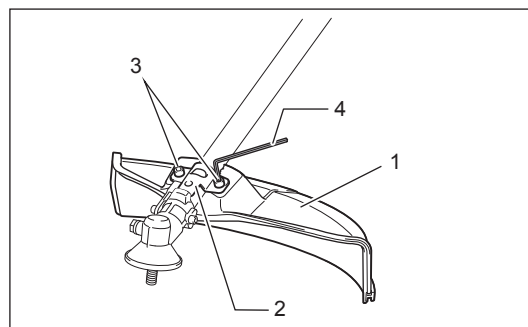
Lame métallique	Rondelle de serrage, bague, et écrou sont nécessaires	Dispositif de protection
		<p>Type A</p> 

Utilisation de la tête à fils de nylon

Tête à fils de nylon	Dispositif de protection	
	<p>Type A</p> 	<p>Type B</p> 

Pour la lame métallique

Fixez le dispositif de protection de type A (1) à la rondelle (2) avec deux boulons M6 x 25 (3) avec la clé hexagonale 5 (4).



Pour la tête à fils de nylon (pour le dispositif de protection de type A)

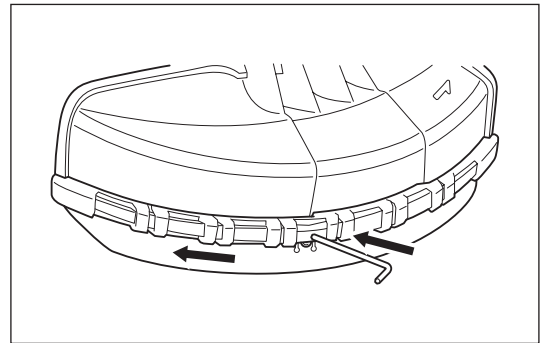
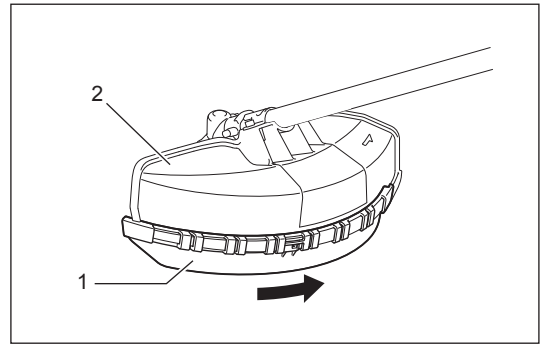
ATTENTION :

Veillez à ce que la rallonge du dispositif de protection (1) soit entièrement insérée.
Dans le cas contraire, la rallonge du dispositif de protection risque de tomber et de causer des blessures corporelles.

ATTENTION :

Veillez à ne pas vous blesser sur le dispositif de coupe à fils de nylon.

1. Fixez le dispositif de protection à la rondelle avec deux boulons M6 x 25.
2. Installez la rallonge du dispositif de protection (1) en la faisant glisser par le côté du dispositif de protection de la lame métallique (2).
3. Retirez l'adhésif collé à la lame qui coupe le fil de nylon, sur la rallonge du dispositif de protection.
4. Pour retirer la rallonge du dispositif de protection, placez une clé hexagonale 4 dans l'entaille du dispositif de protection, enfoncez-la tout en faisant glisser la rallonge du dispositif de protection.

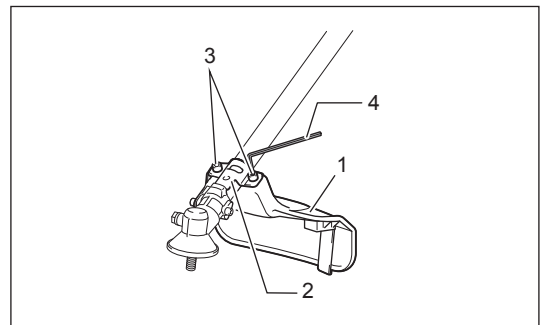


Pour la tête à fils de nylon (pour le dispositif de protection de type B)

ATTENTION :

Veillez à ne pas vous blesser sur le dispositif de coupe à fils de nylon.

Fixez le dispositif de protection (1) à la rondelle (2) avec deux boulons M6 x 25 (3) avec la clé hexagonale 5 (4).



MONTAGE DU COUTEAU OU DE LA TÊTE À FIL EN NYLON

ATTENTION :

Utilisez toujours des lames de coupe ou têtes à fils de nylon d'origine MAKITA.

- La lame de coupe doit être bien aiguisée, sans fissures ou cassures. Si la lame de coupe heurte une pierre durant l'utilisation, arrêtez le moteur et vérifiez la lame immédiatement.
- Aiguiser ou remplacer la lame de coupe toutes les trois heures de fonctionnement.
- Si la tête à fils de nylon heurte une pierre durant l'utilisation, arrêtez le moteur et vérifiez la tête à fils de nylon immédiatement.

ATTENTION :

Le diamètre extérieur de la lame de coupe doit être de 230 mm (9 - 1/16"). N'utilisez jamais de lames dont le diamètre extérieur excède 230 mm (9 - 1/16").

Tournez l'appareil la tête en bas pour pouvoir remplacer facilement la lame de coupe ou la tête à fils de nylon.

Installation de la lame métallique

ATTENTION :

Portez toujours des gants et placez le carter de la lame sur la lame métallique lorsque vous maniez la lame de coupe.

1. Installez la rondelle de réception (1) sur l'axe.
2. Insérez la clé hexagonale 4 (2) dans l'orifice de la boîte d'engrenage et tournez la rondelle de réception (1) avec la clé hexagonale jusqu'à ce qu'elle ne bouge plus.
3. Montez la lame métallique (3) sur l'arbre de sorte que le guide de la rondelle de réception (1) s'ajuste dans l'orifice de l'arbre dans la lame métallique.
4. Installez la rondelle de serrage (4) et la bague (5), puis fixez la lame de coupe en tournant l'écrou (6) dans le sens inverse des aiguilles d'une montre. [Couple de serrage : 13 - 23 N-m]
5. Après avoir installé la lame métallique, retirez la clé hexagonale.

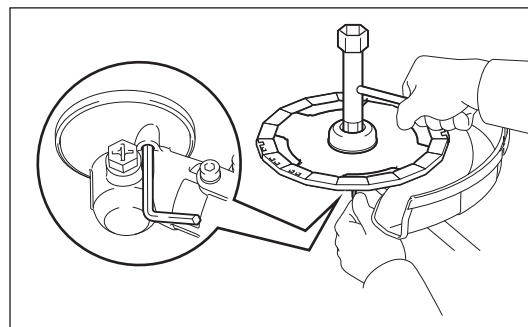
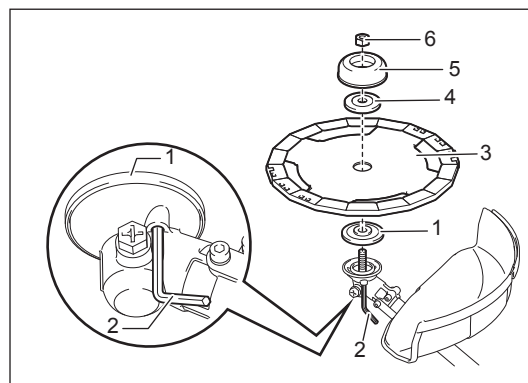
Pour retirer la lame métallique, procédez comme suit :

1. Insérez la clé hexagonale dans l'orifice de la boîte d'engrenage et tournez la rondelle de réception avec la clé hexagonale jusqu'à ce qu'elle ne bouge plus.
2. Desserrez l'écrou dans le sens des aiguilles d'une montre avec la clé à douille et retirez l'écrou, la bague, la rondelle de serrage et la clé hexagonale.

REMARQUE :

L'écrou de fixation de la lame de coupe (avec la rondelle à ressort) s'use au fil du temps. Remplacez l'écrou si la rondelle à ressort présente des signes d'usure ou est déformée.

Assurez-vous que le côté gauche de la lame est en haut.

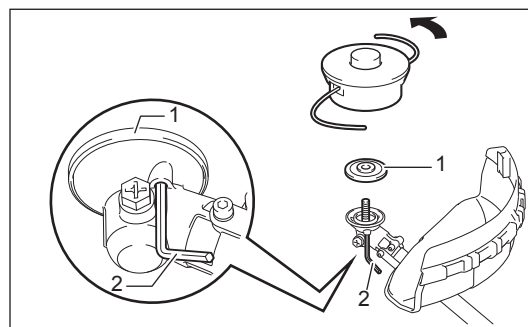


Rotation



Installation de la tête à fils de nylon

1. Installez la rondelle de réception (1) sur l'axe.
2. Insérez la clé hexagonale (2) dans l'orifice de la boîte d'engrenage et tournez la rondelle de réception (1) avec la clé hexagonale jusqu'à ce qu'elle ne bouge plus.
3. Vissez la tête à fils de nylon sur l'arbre en la tournant dans le sens inverse des aiguilles d'une montre.
4. Après avoir installé la tête à fils de nylon, retirez la clé hexagonale.



AVANT DE COMMENCER

Inspection et remplissage d'huile moteur

- Suivez la procédure suivante, lorsque le moteur est froid.
- Mettez le moteur à plat, retirez le bouchon d'huile (Illustration 1) et vérifiez l'éventuelle présence d'huile dans la zone comprise entre la limite supérieure et la limite inférieure du tuyau d'huile (Ill. 2).
- Remplissez d'huile jusqu'à la limite supérieure si le niveau d'huile est insuffisant (le niveau d'huile est proche de la limite inférieure) (Ill. 3).
- La zone située autour des repères externes est transparente, donc la quantité d'huile qu'elle contient peut être vérifiée sans qu'il soit nécessaire de retirer le bouchon d'huile. Toutefois, si le tuyau d'huile devient très sale, vous risquez de ne pas voir le niveau d'huile et de devoir le contrôler au niveau de la section en gradins à l'intérieur du tuyau d'huile.
- À titre d'information, il convient de remplir le réservoir d'huile toute les 10 heures d'utilisation environ (10 fois ou 10 remplissages du réservoir d'huile).
Si l'huile change de couleur ou contient de la poussière ou saleté, remplacez-la. (Pour la fréquence et la méthode de vidange, référez-vous à la page 47)

Huile recommandée : Huile SAE 10W-30 de classe API, Classe SF ou supérieure (moteur 4 temps pour automobile)

Volume d'huile : environ 0,08 L

Remarque : Si le moteur n'est pas à plat, de l'huile risque de pénétrer dans le moteur ou d'être versée en excès.
Si le niveau d'huile est rempli au-delà de la limite, l'huile peut être contaminée ou risque de s'enflammer en provoquant de la fumée blanche.

Point n°1 du remplacement de l'huile : « Jauge d'huile »

- Retirez la poussière ou les saletés entourant l'orifice du réservoir d'huile, puis retirez la jauge d'huile.
- Veillez à ce que la jauge d'huile n'entre pas en contact avec du sable ou de la poussière. Dans le cas contraire, les impuretés adhérant à la jauge d'huile pourrait empêcher la bonne circulation de l'huile ou abîmer des pièces du moteur, ce qui provoquerait des problèmes.

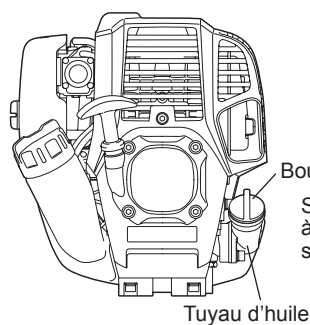


Illustration 1

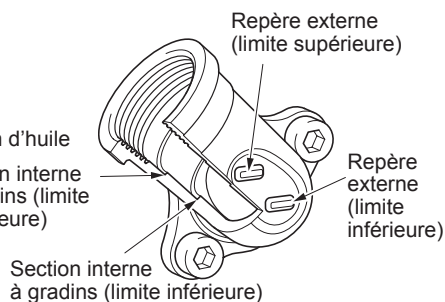


Illustration 2 Tuyau d'huile

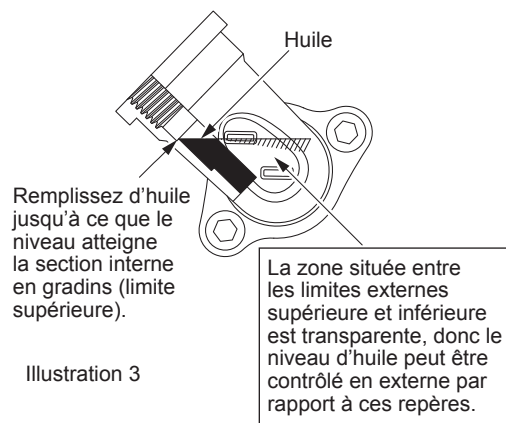
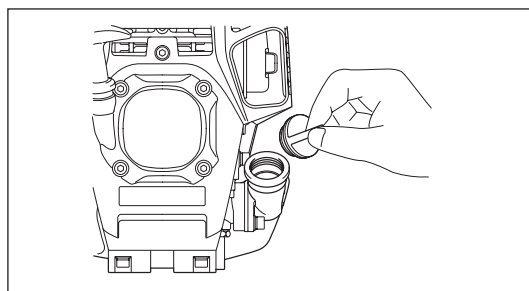
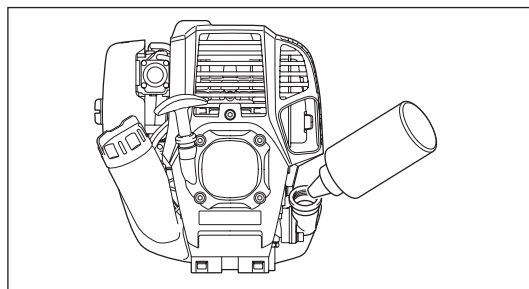


Illustration 3

(1) Gardez le moteur à plat et enlevez le bouchon d'huile.



(2) Remplissez d'huile jusqu'à la limite supérieure. (voir la Illustration 3)
Utilisez une bouteille d'huile pour le remplissage.



(3) Vissez fermement le bouchon d'huile. Un vissage insuffisant pourrait provoquer une fuite d'huile.

Remarque

- Lors du changement d'huile, veillez à ne pas incliner le moteur.
- Si le moteur est incliné lors du changement d'huile, vous risquez de trop remplir le réservoir et ainsi de contaminer l'huile et/ou de faire apparaître de la fumée blanche.

Point n°2 du remplacement de l'huile : « En cas de débordement d'huile »

- Si de l'huile se répand entre le réservoir d'essence et le bloc principal du moteur, elle risque d'être aspirée par l'orifice de refroidissement par air et ainsi de contaminer le moteur. Veillez à nettoyer l'huile qui a débordé avant toute utilisation.

FAIRE LE PLEIN D'ESSENCE

Maniement de l'essence

Veillez à manipuler l'essence avec la plus grande attention. Elle peut contenir des substances similaires à des solvants. Pour faire le plein, placez-vous dans une pièce suffisamment ventilée ou à l'extérieur. Ne respirez jamais les vapeurs d'essence, et restez à distance du carburant. En cas de contact répété ou prolongé de votre peau avec de l'essence, elle peut se dessécher, et ainsi provoquer des maladies de peau ou des allergies. En cas de contact de l'essence avec un œil, rincez celui-ci à l'eau claire. Si votre œil reste irrité, consultez votre médecin.

Durée de stockage de l'essence

L'essence doit être utilisée dans les 4 semaines, même si elle est conservée dans un bidon spécial dans un endroit ombragé et bien ventilé. Si vous n'utilisez pas de bidon spécial ou s'il n'est pas fermé, l'essence peut se détériorer en une journée.

STOCKAGE DE LA MACHINE ET REMPLISSAGE DU RÉSERVOIR

- Conservez la machine et le réservoir dans un endroit frais et abrité de la lumière directe du soleil.
- Ne conservez jamais l'essence dans un bungalow ou un coffre.

Carburant

Le moteur est un moteur à quatre temps. Assurez-vous d'utiliser de l'essence pour automobile (super ou premium).

Avertissements concernant l'essence

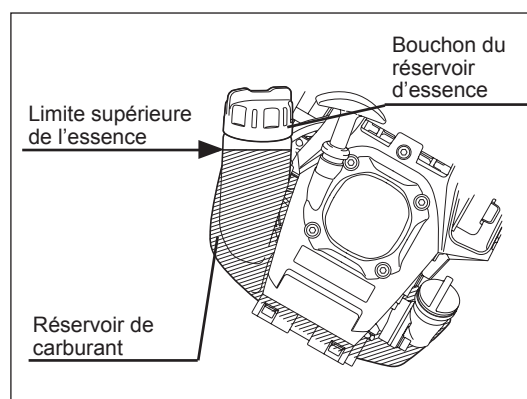
- N'utilisez jamais de mélange d'essence contenant de l'huile moteur, au risque d'entraîner une accumulation excessive de carbone ou des pannes mécaniques.
- L'utilisation d'huile détériorée peut provoquer des démarrages de moteur irréguliers.

Faire le plein

AVERTISSEMENT : FLAMMES STRICTEMENT INTERDITES

Essence utilisée : Essence pour automobile (super sans plomb)

- Dévissez légèrement le bouchon du réservoir afin qu'il n'y ait pas de différence de pression.
 - Ôtez le bouchon et remplissez le réservoir d'essence en l'inclinant de manière à en chasser l'air, l'orifice dirigé vers le haut. (Ne remplissez jamais le réservoir d'essence au point qu'il déborde sur l'orifice de remplissage d'huile.)
 - Essuyez bien le tour du bouchon d'essence pour éviter l'introduction de tout corps étranger dans le réservoir d'essence.
 - Après avoir fait le plein, serrez soigneusement le bouchon du réservoir d'essence.
- En cas de défaut ou de dommages au bouchon d'essence, remplacez-le.
 - Le bouchon du réservoir d'essence est une pièce d'usure : il convient donc de le remplacer tous les deux à trois ans.



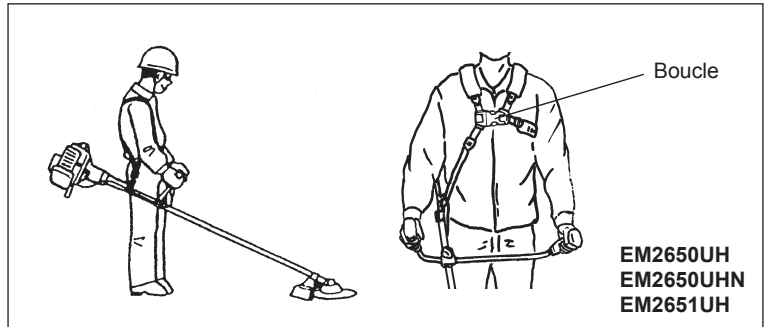
MANIEMENT CORRECT DE LA MACHINE

Fixation du harnais

- Réglez la longueur de sangle de sorte que le couteau soit maintenu parallèle au sol.

Pour les modèles EM2650UH, EM2650UHN et EM2651UH

REMARQUE : Veillez à ne pas coincer de vêtement ou autre dans la boucle.

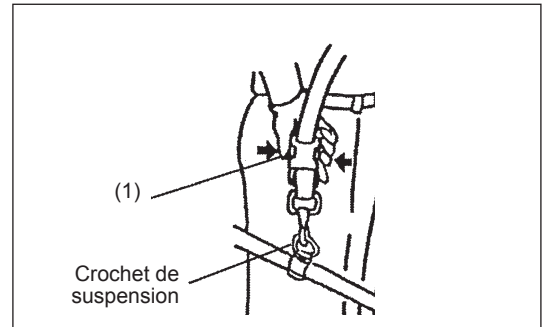


Détachement

Pour les modèles EM2650LH et EM2651LH

- En cas d'urgence, appuyez sur les fentes (1) des deux côtés pour vous séparer de la machine.
Faites très attention de conserver le contrôle de la machine à ce moment-là. Ne laissez pas la machine être déviée vers vous ou vers quelqu'un qui se trouve à proximité dans le périmètre de travail.

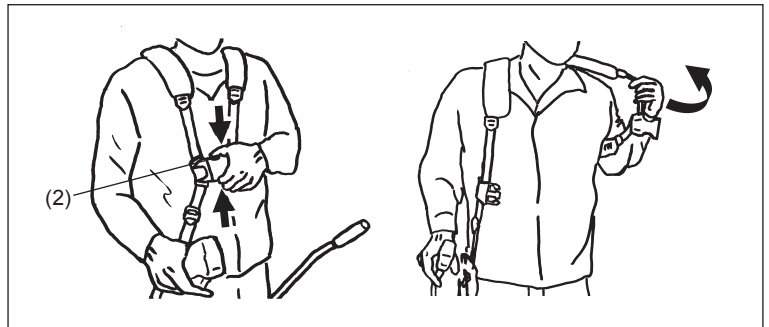
AVERTISSEMENT : Toute perte de contrôle de la machine risque d'entraîner des blessures corporelles graves ou la MORT.



Pour les modèles EM2650UH, EM2650UHN et EM2651UH

- En cas d'urgence, appuyez sur les fentes (2) des deux côtés pour vous séparer de la machine.
Faites très attention de conserver le contrôle de la machine à ce moment-là. Ne laissez pas la machine être déviée vers vous ou vers quelqu'un qui se trouve à proximité dans le périmètre de travail.

AVERTISSEMENT : Toute perte de contrôle de la machine risque d'entraîner des blessures corporelles graves ou la MORT.

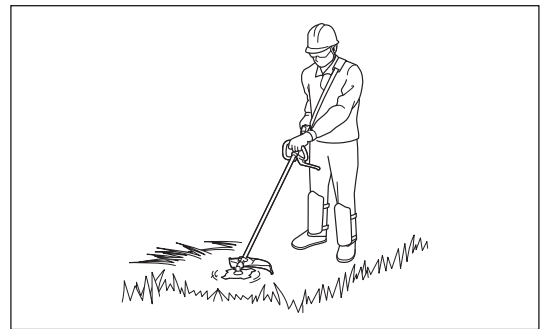


AVERTISSEMENT :

Positionnez toujours l'outil sur votre côté droit. Le positionnement correct de l'outil permet un contrôle maximal et réduit le risque de blessures corporelles graves résultant d'un choc en retour.

AVERTISSEMENT :

Veillez à garder constamment le contrôle de l'outil. Ne le laissez pas dévier vers vous ou quiconque situé à proximité. Si vous perdez le contrôle de l'outil, vous-même ainsi que les éventuels spectateurs risquez d'être blessés grièvement.



Fonctionnement de la tête à fils de nylon

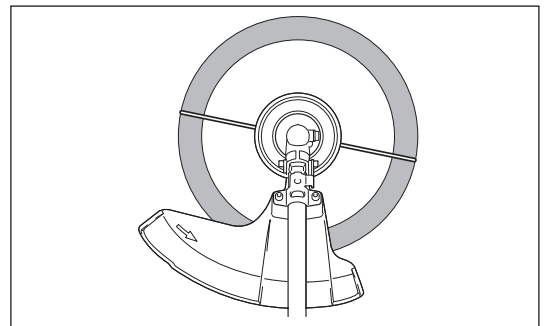
La tête à fils de nylon est une tête de taille à fil double dotée d'un mécanisme d'alimentation manuel.

Pour faire sortir le fil de nylon, frappez la tête de coupe contre le sol tout en tournant.

La zone de coupe la plus efficace est indiquée par la zone ombrée.

REMARQUE :

Si le fil de nylon ne sort pas lorsque vous frappez la tête, rembobinez/remplacez le fil de nylon en procédant comme décrit dans la section « INSTRUCTIONS D'ENTRETIEN ».



AVERTISSEMENT DE FONCTIONNEMENT ET COMMENT L'ARRÊTER

Respectez la législation en matière de prévention des accidents !

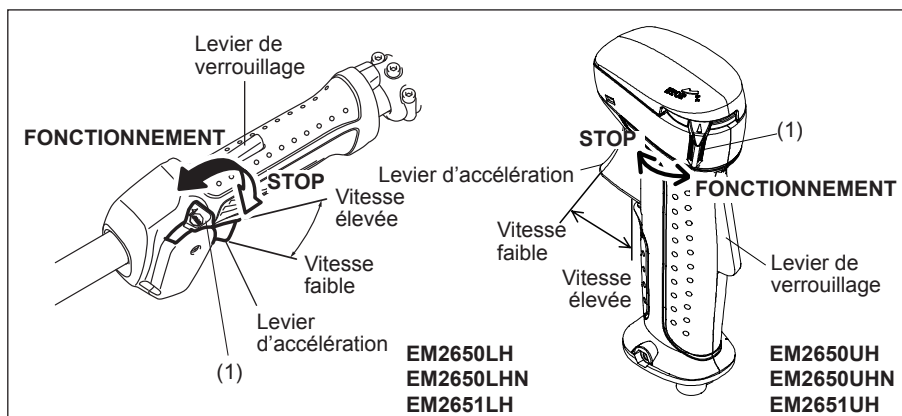


DÉMARRAGE

Éloignez-vous d'au moins 3 mètres du lieu de remplissage ou du plein. Déposez la débroussailleuse thermique dans un endroit propre, en veillant à ce que l'outil de coupe n'entre pas en contact avec le sol ou tout autre objet.

A : Démarrage à froid

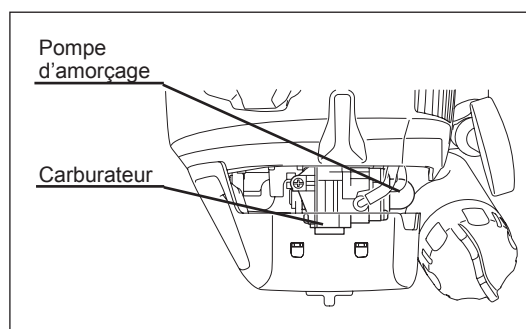
- 1) Déposez la machine dans un lieu plat.
- 2) Réglez l'interrupteur I-O (1) sur OPÉRATION (FONCTIONNEMENT).



- 3) Pompe d'amorçage

Continuez à appuyer sur la pompe d'amorçage jusqu'à ce que le carburant pénètre dans la pompe d'amorçage. (En général, le carburant pénètre dans la pompe d'amorçage après 7 à 10 pressions.)

Si vous appuyez trop sur la pompe d'amorçage, un surplus de carburant retournera au réservoir d'essence.



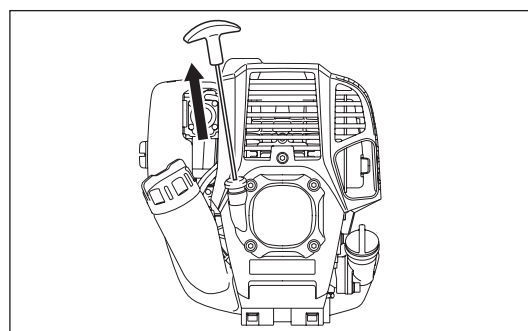
- 4) Démarreur

Tirez doucement le bouton de démarrage, jusqu'à ce qu'il résiste (point de compression). Ensuite, repoussez le bouton du démarreur, puis tirez-le fortement.

Ne tirez jamais la corde de toute son extrémité. Une fois le bouton du démarreur tiré, n'enlevez jamais votre main immédiatement. Tenez le bouton jusqu'à ce qu'il retourne à sa position initiale.

- 5) Opération de chauffage

Continuez à faire chauffer le moteur pendant 2 à 3 minutes.



Remarque : Si une entrée de carburant excessive se produit, enlevez la bougie et tirez la poignée de démarrage lentement pour enlever l'excès de carburant. Séchez également la partie de l'électrode de la bougie.

Attention durant le fonctionnement :

Si le levier d'accélération est complètement ouvert durant un fonctionnement à vide, la rotation du moteur augmente à plus de 10 000 min⁻¹. Ne jamais faire tourner le moteur à une vitesse plus élevée que nécessaire, ou à une vitesse d'environ 6 000 à 8 500 min⁻¹.

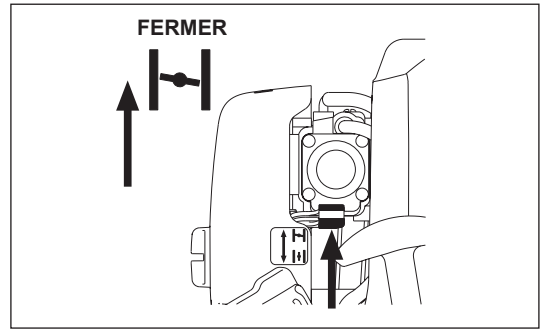
B : Démarrage après avoir fait chauffer le moteur

- 1) Appuyez plusieurs fois sur la pompe d'amorçage.
- 2) Laissez le levier d'accélération en position de ralenti.
- 3) Tirez avec force sur le démarreur.
- 4) Si le moteur est difficile à démarrer, ouvrez les gaz d'1/3 environ. Faites attention au couteau, qui pourrait tourner.

À certaines périodes, par exemple en hiver, lorsqu'il est difficile de démarrer le moteur

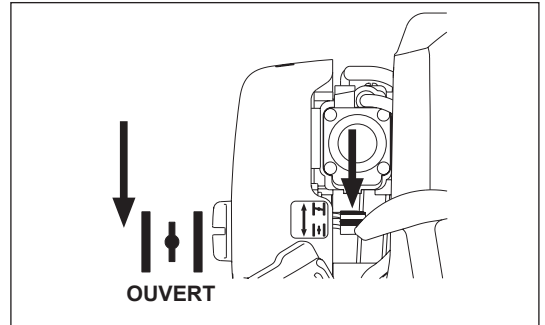
Au démarrage du moteur, utilisez le levier de l'étrangleur en procédant comme suit.

- Après avoir exécuté les étapes de démarrage 1) à 3), réglez le levier de l'étrangleur en position FERMÉ.
- Exécutez l'étape de démarrage 4) et démarrez le moteur.
- Lorsque le moteur démarre, réglez le levier de l'étrangleur en position OUVERT.
- Exécutez l'étape de démarrage 5) et terminez de réchauffer le moteur.



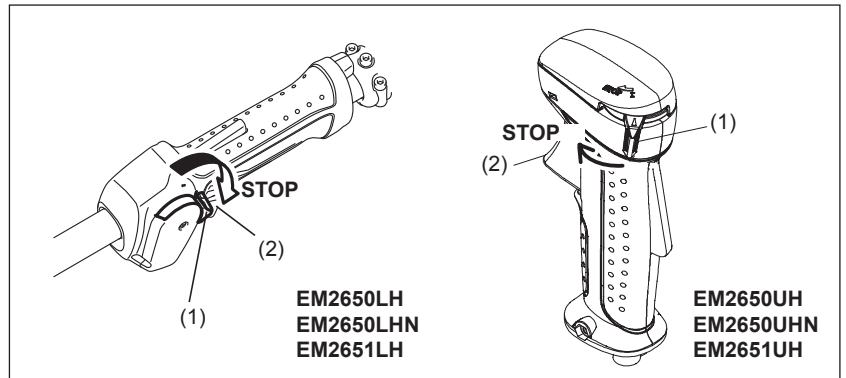
ATTENTION : Si vous entendez un bruit d'explosion et si le moteur s'arrête, ou si le moteur que vous venez de démarrer cale avant que le levier de l'étrangleur soit actionné, repassez le levier de l'étrangleur en position OUVERT et appuyez à nouveau sur le bouton du démarreur à plusieurs reprises afin de démarrer le moteur.

ATTENTION : Si le levier de l'étrangleur est resté en position FERMÉ et si vous avez simplement appuyé à plusieurs reprises sur le bouton du démarreur, une quantité trop importante de carburant sera aspirée et le moteur aura des difficultés à démarrer.



ARRÊT

- 1) Relâchez entièrement le levier d'étrangleur (2), et lorsque la vitesse de rotation du moteur a diminué, poussez l'interrupteur I-O sur la position STOP, et le moteur s'arrêtera.
- 2) Attention, il est possible que le couteau ne s'arrête pas immédiatement, laissez-le ralentir jusqu'à l'arrêt.



RÉGLAGE DE LA ROTATION A BAS RÉGIME (RALENTI)

Lorsque cela est nécessaire, réglez le ralenti en utilisant la vis de réglage du carburateur.

VÉRIFICATION DE LA ROTATION A BAS RÉGIME (RALENTI)

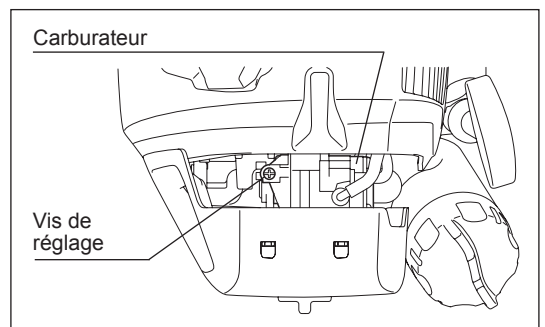
ATTENTION :

L'accessoire de coupe peut tourner pendant le réglage du carburateur. Portez votre équipement de protection et respectez toutes les consignes de sécurité. Vérifiez que l'accessoire de coupe cesse de tourner lorsque le moteur fonctionne au ralenti.

ATTENTION :

Lors de la mise hors tension de l'appareil, assurez-vous que l'accessoire de coupe est à l'arrêt avant de poser l'appareil.

- Réglez le ralenti sur 3 000 min⁻¹.
S'il est nécessaire de changer la vitesse de rotation, utilisez la vis de réglage (illustrée à droite) avec un tournevis Phillips.
- Pour augmenter la vitesse de rotation du moteur, tournez la vis vers la droite. Pour la diminuer, tournez la vis vers la gauche.
- Le carburateur est généralement réglé juste avant l'expédition. S'il est nécessaire d'effectuer un nouveau réglage, veuillez contacter un agent d'entretien agréé.



INSTRUCTIONS D'ENTRETIEN

ATTENTION : Avant tout travail sur la débroussailleuse thermique, il faut toujours arrêter le moteur et débrancher le connecteur des bougies (voir « Vérification de la bougie »).
Portez toujours des gants de protection !

Afin d'assurer une longue durée de vie et d'éviter un quelconque dommage à l'équipement, effectuez régulièrement les opérations de maintenance suivantes.

Vérification et entretien journaliers

- Avant l'utilisation, vérifiez s'il ne manque pas de pièces ou que des vis sont desserrées. Faites tout particulièrement attention au serrage du couteau ou de la tête à fil en nylon.
- Avant l'utilisation, vérifiez que les fentes de refroidissement à air et des cylindres ne sont pas bouchées. Nettoyez-les si nécessaire.
- Effectuez les opérations de maintenance suivantes après l'utilisation :
 - Nettoyez l'extérieur de la débroussailleuse thermique et vérifiez l'absence de dommages.
 - Nettoyez le filtre à air. Nettoyez le filtre à air plusieurs fois par jour quand vous travaillez dans des conditions très poussiéreuses.
 - Vérifiez si le couteau ou la tête à fil en nylon ont été endommagés et assurez-vous qu'ils sont bien montés.
 - Vérifiez s'il y a une différence suffisante entre les vitesses de fonctionnement et du ralenti pour s'assurer que le couteau est au repos quand le moteur est au ralenti (si nécessaire, réduisez la vitesse du ralenti).
Si l'outil continue à fonctionner lorsque la machine est au ralenti, consultez l'agent d'entretien agréé le plus proche.
- Vérifiez que l'interrupteur I-O, le levier de verrouillage, le levier de manœuvre, et le bouton de verrouillage fonctionnent tous correctement.

Réaffûtage de la lame métallique

ATTENTION :

Les lames de coupe doivent être réaffûtées par un installateur agréé uniquement. Le réaffûtage manuel peut provoquer des déséquilibres de l'outil de coupe, causant des vibrations et endommageant l'appareil.

REMARQUE : Pour augmenter la durée de vie de la lame de coupe, vous pouvez la retourner une fois, jusqu'à ce que les deux bords de coupe soient émoussés.

REPLACEMENT DE L'HUILE MOTEUR

Une huile de moteur détériorée réduit grandement la durée de vie des pièces mobiles. Veillez à vérifier la fréquence et la quantité des remplacements.



ATTENTION : En général, le bloc principal du moteur et l'huile de moteur restent brûlants juste après l'arrêt du moteur. Pour la vidange de l'huile, vérifiez que le bloc principal du moteur et l'huile de moteur ont suffisamment refroidi. Sinon, vous risquez de vous brûler.

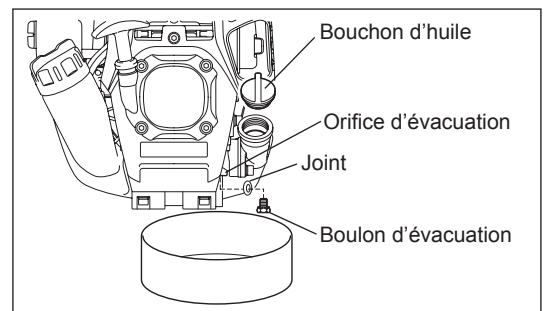
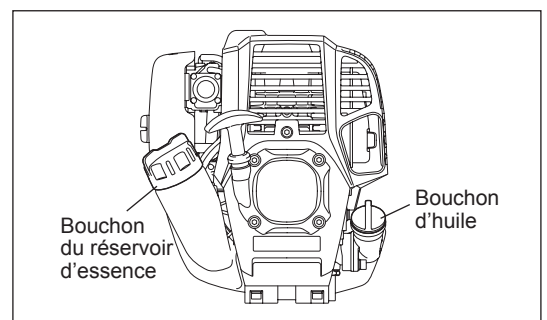
Remarque : Si le niveau d'huile est rempli au-delà de la limite, l'huile risque d'être contaminée ou de s'enflammer en provoquant de la fumée blanche.

Fréquence de vidange : Initialement, toutes les 20 heures d'utilisation, puis toutes les 50 heures de fonctionnement

Huile recommandée : Huile SAE 10W-30 de classe API, Classe SF ou supérieure (moteur 4 temps pour automobile)

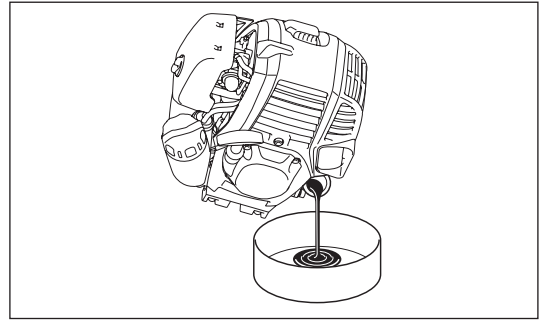
Alternativement, suivez la procédure suivante.

- 1) Assurez-vous que le bouchon du réservoir d'essence est bien serré.
- 2) Placez un grand conteneur (par exemple, une casserole) sous l'orifice d'évacuation.
- 3) Retirez le boulon de purge, puis le bouchon d'huile afin de purger l'huile à partir de l'orifice d'évacuation.
À ce stade, veillez à ne pas égarer le joint du boulon d'évacuation et à ne pas salir les éléments que vous avez retirés.
- 4) Après avoir purgé toute l'huile, posez le joint sur le boulon d'évacuation et serrez solidement le boulon d'évacuation afin qu'il ne se desserre pas et ne provoque pas de fuite.
* Utilisez un chiffon pour essuyer l'huile éventuelle déposée sur le boulon et le matériel.

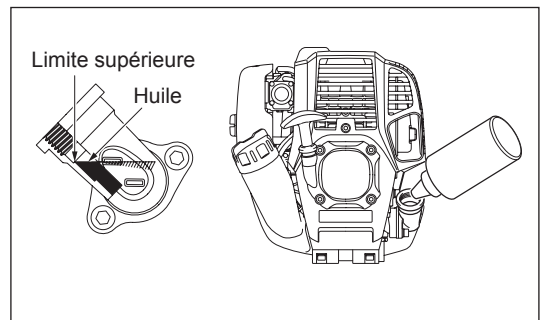
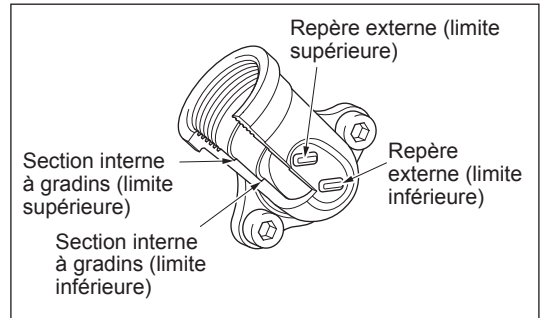


Autre méthode de purge

Retirez le bouchon d'huile, inclinez la débroussailleuse thermique vers l'orifice de remplissage d'huile et purgez l'huile.
Recueillez l'huile dans le conteneur.



- 5) Mettez le moteur à plat et remplissez progressivement le réservoir d'huile neuve jusqu'à la limite supérieure.
- 6) Après avoir procédé au remplissage, fermez bien le bouchon d'huile afin qu'il ne se desserre pas et ne provoque pas de fuite.
Si le bouchon d'huile n'est pas bien serré, il risque de fuir.



AVERTISSEMENT CONCERNANT L'HUILE

- Ne jetez jamais de l'huile de moteur à la poubelle, sur la terre ou dans les égouts. Débarrassez-vous de l'huile en suivant la législation. Respectez toujours la loi en vigueur. Pour tout éclaircissement, contactez un agent d'entretien agréé.
- L'huile se détériore même lorsqu'elle n'est pas utilisée. Effectuez une inspection et des replacements à intervalles réguliers (vidangez l'huile tous les 6 mois).

NETTOYAGE DU FILTRE À AIR



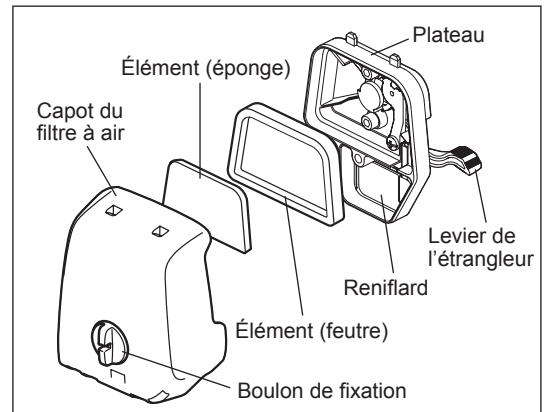
DANGER : FLAMMES STRICTEMENT INTERDITES

Intervalle de nettoyage et d'inspection : tous les jours (toutes les 10 heures d'utilisation)

- Tournez le levier d'étrangleur vers le côté complètement fermé et maintenez le carburateur éloigné de toute poussière ou saleté.
- Dévissez le boulon de fixation.
- Retirez le capot du filtre à air en tirant sur la partie inférieure de celui-ci.
- Retirez les éléments et tapez dessus pour en retirer la saleté.
- Si les éléments sont fortement contaminés : Retirez les éléments, plongez-les dans de l'eau chaude ou dans un détergent neutre dilué à l'eau et faites-les entièrement sécher. Lorsque vous les lavez, ne les serrez pas et ne les frottez pas.
- Avant de remettre les éléments en place, assurez-vous qu'ils sont complètement secs. Un séchage insuffisant des éléments pourrait provoquer un démarrage difficile.
- Essuyez l'huile présente autour du capot du filtre à air et sur le reniflard à l'aide d'un chiffon.
- Placez l'élément (éponge) dans l'élément (feutre). Placez les éléments dans le plateau, de sorte que l'éponge soit orientée vers le capot du filtre à air.
- Fixez immédiatement le capot du filtre à air et serrez-le avec des boulons de fixation. (Pour le remettre en place, commencez par le haut, puis le bas.)

REMARQUE :

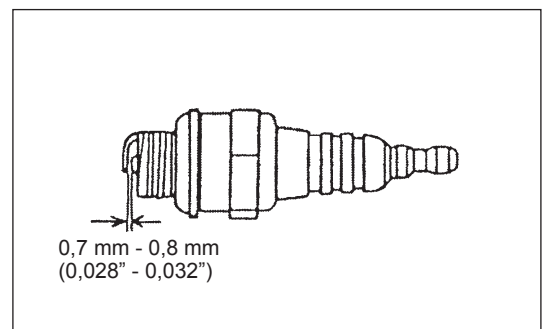
- Nettoyez les éléments plusieurs fois par jour si une poussière trop importante y adhère. Des éléments sales réduisent la puissance du moteur et rendent le démarrage du moteur difficile.
- Retirez l'huile présente sur les éléments. Si vous continuez d'utiliser l'appareil alors que les éléments qu'il contient sont recouverts d'huile, l'huile présente dans le filtre à air risquera de se déverser hors de l'appareil et de contaminer l'environnement.
- Ne placez pas les éléments sur le sol ou dans un lieu sale. Ils risqueraient d'être souillés par de la saleté ou des débris et d'endommager le moteur.
- N'utilisez jamais de carburant pour nettoyer les éléments. Le carburant pourrait les endommager.



VÉRIFICATION DE LA BOUGIE

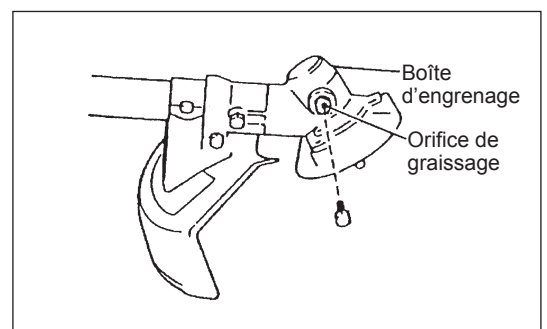
- N'utilisez que la clé universelle fournie pour enlever ou installer la bougie.
- L'écartement entre les deux électrodes de la bougie devrait être de 0,7 à 0,8 mm (0,028" à 0,032"). Réglez l'écartement s'il est trop large ou trop étroit. Si la bougie est bouchée ou contaminée, nettoyez-la complètement ou remplacez-la.

ATTENTION : Ne touchez jamais le connecteur de la bougie quand le moteur est en marche (danger de secousse électrique de haute tension).



GRAISSAGE DE LA BOÎTE D'ENGRENAGES

- Mettez de la graisse (Shell Alvania 2 ou équivalent) dans le carter d'engrenage à travers l'orifice de graissage toutes les 30 heures. (de la graisse d'origine MAKITA peut être achetée chez votre revendeur MAKITA.)



NETTOYAGE DU FILTRE À CARBURANT

ATTENTION : FLAMMES STRICTEMENT INTERDITES

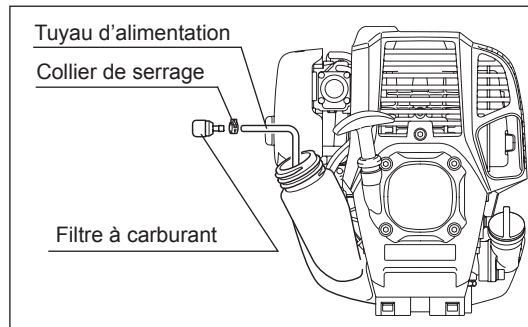
Intervalle de nettoyage et d'inspection : tous les mois (toutes les 50 heures d'utilisation)

Crépine d'aspiration dans le réservoir

Examinez régulièrement le filtre à carburant. Pour ce faire, procédez comme suit.

- (1) Retirez le bouchon du réservoir de carburant, purgez le carburant pour vider le réservoir. Examinez l'intérieur du réservoir à la recherche de corps étrangers. Le cas échéant, retirez-les.
- (2) Retirez la crépine d'aspiration à l'aide d'un crochet à fil que vous passez à travers l'orifice du réservoir.
- (3) Si le filtre à carburant est légèrement bouché, nettoyez-le. Pour ce faire, secouez-le et tapez-le doucement au niveau du carburant. Pour éviter tout dommage, ne le serrez pas et ne le frottez pas. Le carburant utilisé pour le nettoyage doit être éliminé conformément à la réglementation en vigueur dans votre pays.
Si le filtre à carburant a durci ou est fortement bouché, remplacez-le.
- (4) Après avoir examiné, nettoyé ou remplacé le filtre à carburant, enfoncez-le complètement dans la partie inférieure du réservoir de carburant.

Un filtre à carburant bouché ou endommagé peut entraîner une alimentation insuffisante en carburant et réduire la puissance du moteur. Remplacez le filtre à carburant au moins tous les trimestres pour assurer une alimentation satisfaisante en carburant dans le carburateur.



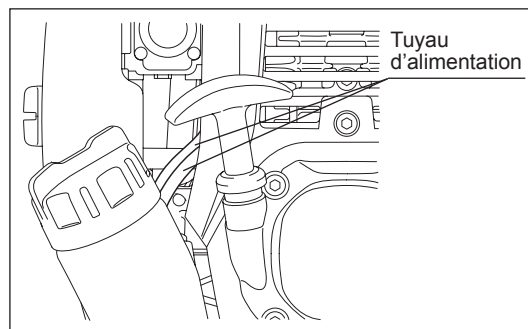
REMPACEMENT DU TUYAU D'ALIMENTATION

ATTENTION : FLAMMES STRICTEMENT INTERDITES

Intervalle de nettoyage et d'inspection : tous les jours (toutes les 10 heures d'utilisation)

Remplacement : tous les ans (toutes les 200 heures d'utilisation)

Remplacez le tuyau d'alimentation tous les ans, indépendamment de votre fréquence d'utilisation. Une fuite d'essence peut provoquer un incendie. Si vous détectez une fuite pendant une inspection, remplacez immédiatement le tuyau d'alimentation.



INSPECTION DES BOULONS, ÉCROUS ET VIS

- Revissez les boulons, écrous, etc. desserrés.
- Vérifiez l'absence de fuite d'essence ou d'huile.
- Remplacez les pièces endommagées par de nouvelles pièces pour la sécurité d'utilisation.

NETTOYAGE DES PIÈCES

- Conservez toujours le moteur propre.
- Conservez les fentes de cylindre sans poussière ni saleté. Si de la poussière ou des saletés adhèrent aux fentes, cela peut créer des dommages aux pistons.

REMPACEMENT DE JOINTS STATIQUES ET DES TAMPONS AMORTISSEURS

Lorsque vous remontez le moteur après l'avoir démonté, assurez-vous de remplacer les joints statiques et les tampons amortisseurs par des pièces neuves.

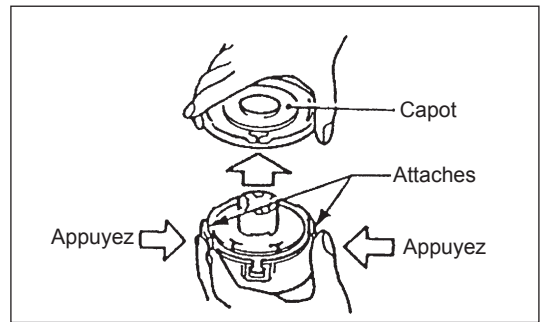
Tout autre type d'entretien ou travail de réglage qui n'est pas décrit dans ce manuel peut n'être effectué que par des agents de réparations agréés.

Remplacement du fil de nylon

(Pour ultra auto 4)

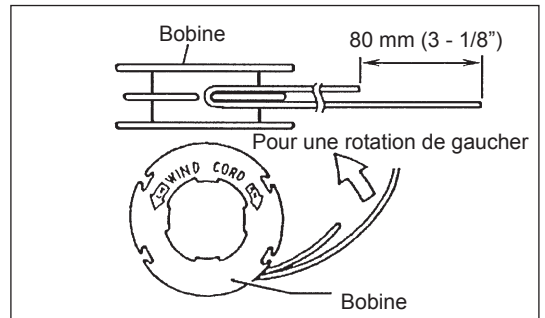
D'abord, arrêtez le moteur.

Appuyez sur les attaches du bloc principal pour les enfoncer afin d'enlever le capot, puis retirez la bobine.

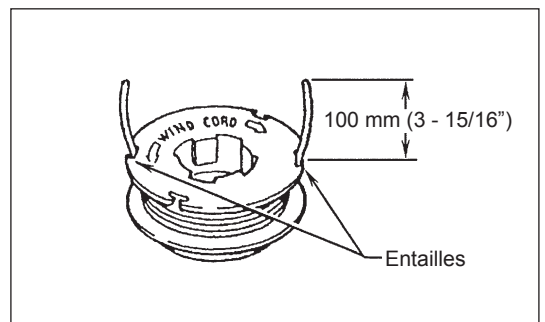


Accrochez le centre du nouveau fil de nylon dans la fente située au centre de la bobine, en laissant dépasser une extrémité du fil d'environ 80 mm (3 - 1/8") de plus que l'autre.

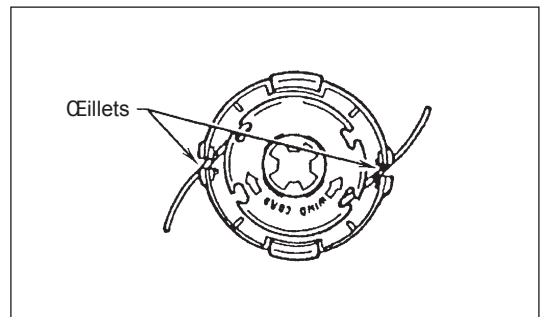
Tournez ensuite fermement les deux extrémités autour de la bobine dans le sens de rotation de la tête (direction vers la gauche indiquée par LH, vers la droite indiquée par RH sur le côté de la bobine).



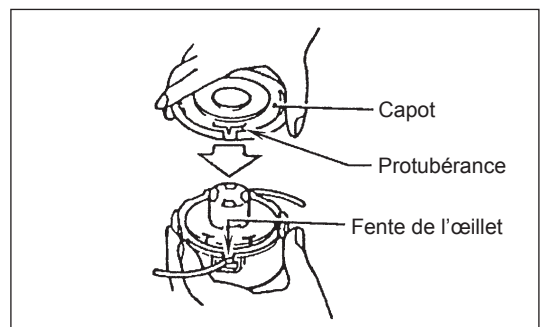
Embobinez tout sauf environ 100 mm (3 - 15/16") de fil, en laissant les extrémités temporairement accrochées à travers l'entaille sur le côté de la bobine.



Montez la bobine dans le bloc afin que ses rainures et protubérances soient alignées avec celles du bloc. Placez la bobine avec le côté contenant des lettres dirigé vers le haut. Ensuite, décrochez les extrémités du fil de son emplacement temporaire et glissez les fils à travers les œillets pour qu'ils sortent du bloc.



Alignez la protubérance du dessous du capot avec les fentes des œillets. Poussez ensuite fermement le capot pour qu'il s'enclenche dans le bloc.

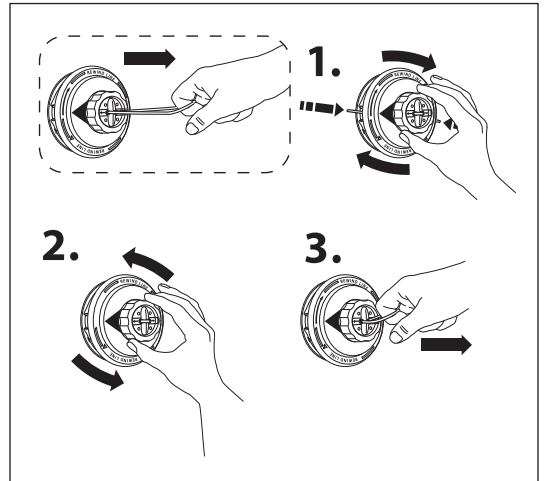


(Pour Proulx)

Arrêtez tout d'abord le moteur.

Tenez fermement le boîtier et tournez la bobine dans le sens des aiguilles d'une montre jusqu'à ce que le fil de nylon restant se rétracte à l'intérieur du boîtier, puis effectuez un mouvement de va-et-vient pour détendre le fil.

Saisissez la boucle sur la partie supérieure de la bobine et tirez-dessus.



Préparez un fil de nylon en respectant les mesures suivantes.

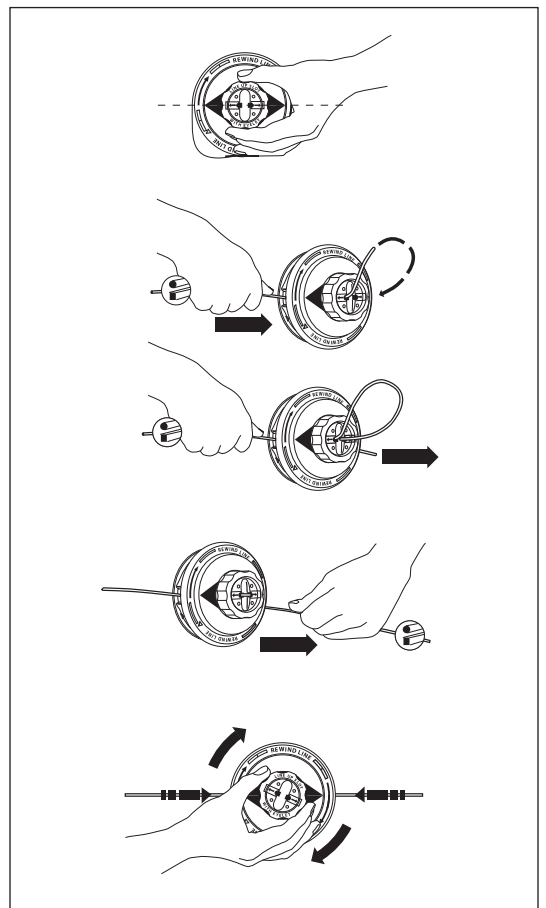
Longueur de 4,5 m (15 pi)

Fil rond de 2,4 mm (0,095") de diamètre ou fil carré de 2,0 mm (0,08") de diagonale. Alignez la flèche indiquée sur la bobine avec les œillets situés sur le boîtier.

Insérez une extrémité du fil de nylon dans l'œillet situé sur le côté du boîtier, faites-la passer à travers l'orifice sur la partie supérieure de la bobine, puis réinsérez-la dans le second orifice sur la partie supérieure de la bobine. Enfoncez le fil de nylon dans les orifices jusqu'à ce qu'il passe à travers les œillets sur le côté du boîtier.

Enfoncez le fil de nylon dans les orifices en le faisant passer dans les œillets sur le côté du boîtier jusqu'à ce que la longueur soit identique de chaque côté.

Tenez fermement le boîtier et tournez la bobine dans le sens des aiguilles d'une montre pour enrouler le fil de nylon dans la bobine.



(Pour B&F4 / Z5)

AVERTISSEMENT : Assurez-vous que le couvercle de la tête à fils de nylon est correctement fixé au boîtier, comme décrit ci-dessous. Si le couvercle n'est pas correctement fixé, la tête à fils de nylon risque de se détacher et provoquer des blessures graves.

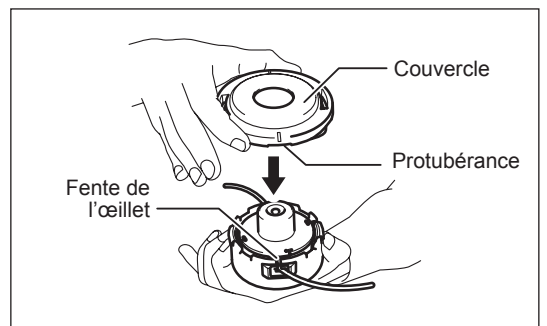
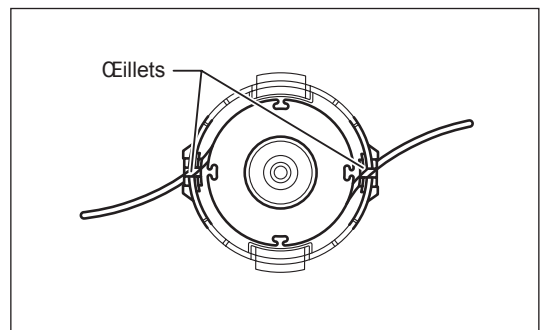
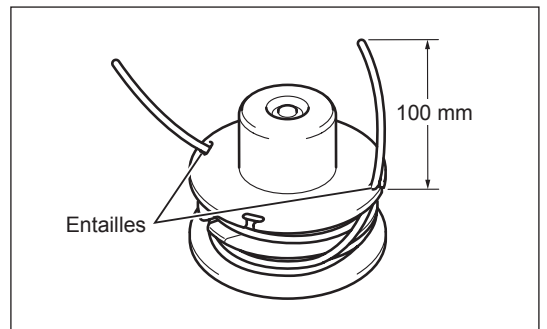
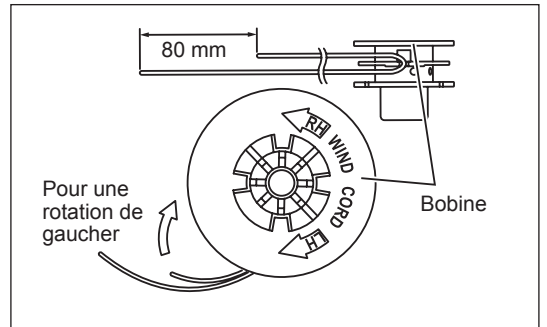
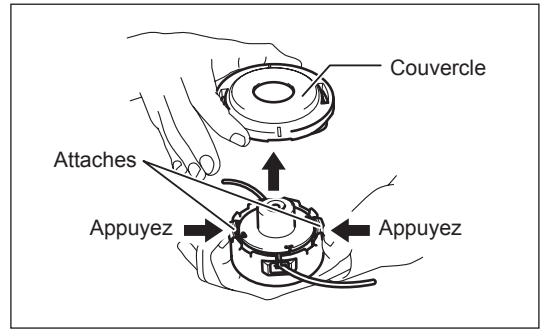
Enfoncez les attaches du boîtier et soulevez-le pour retirer le couvercle. Débarrassez-vous du fil de nylon restant.

Insérez le milieu du nouveau fil de nylon dans l'entaille située au centre de la bobine entre les 2 canaux destinés au fil de nylon. L'un des côtés du fil doit être plus long que l'autre d'environ 80 mm. Enroulez bien les deux extrémités sur la bobine dans le sens indiqué sur la tête pour le sens de gaucher indiqué par LH.

Embobinez tout le fil sauf environ 100 mm, en laissant les extrémités temporairement accrochées à travers l'entaille sur le côté de la bobine.

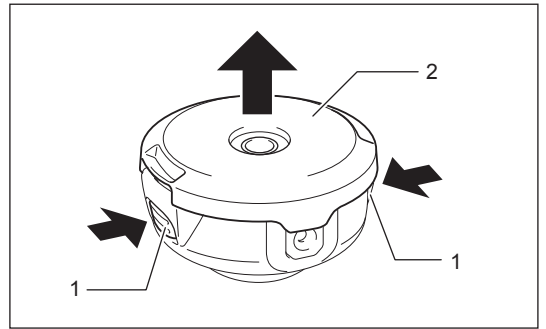
Montez la bobine dans le bloc afin que ses rainures et protubérances soient alignées avec celles du bloc. Placez la bobine en dirigeant vers le haut le côté contenant des lettres. Ensuite, décrochez les extrémités du fil de son emplacement temporaire et glissez les fils à travers les œillets pour qu'ils sortent du boîtier.

Alignez la protubérance sur le dessous du couvercle avec la fente de l'œillet. Poussez ensuite fermement le capot pour qu'il s'enclenche dans le bloc. Assurez-vous que les attaches se déploient bien sur le couvercle.

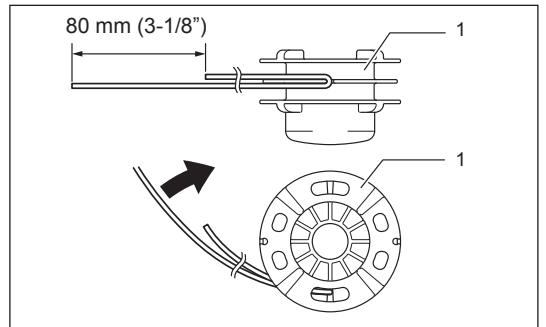


(Pour le type à alimentation manuelle)

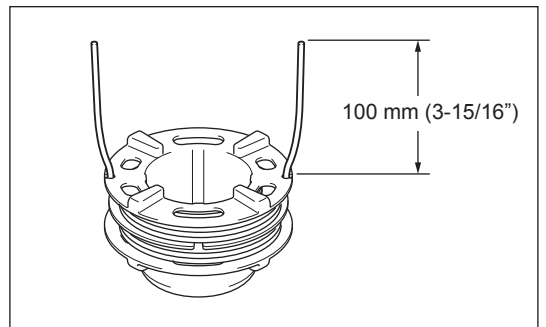
Arrêtez tout d'abord le moteur.
Enfoncez les attaches du boîtier (1) pour retirer le capot (2), puis retirez la bobine.



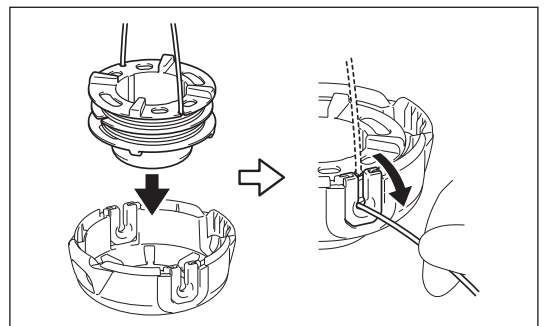
Accrochez le centre du fil de nylon neuf dans l'encoche au centre de la bobine (1), une extrémité du fil étant environ 80 mm (3 - 1/8") plus longue que l'autre. Enroulez ensuite fermement les deux extrémités autour de la bobine dans le sens de rotation de la tête (direction vers la gauche indiquée par LH sur le côté de la bobine).



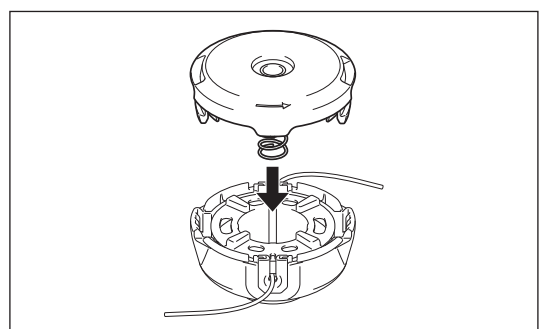
Embobinez tout sauf environ 100 mm (3 - 15/16") de fil, en laissant les extrémités temporairement accrochées à travers l'encoche sur le côté de la bobine.



Montez la bobine dans le boîtier de sorte que les rainures et les saillies sur la bobine correspondent à celles du boîtier. Placez la bobine en orientant vers le haut le côté contenant des lettres. Ensuite, décrochez les extrémités du fil de leurs emplacements temporaires et glissez les fils à travers les œillets pour les faire sortir du boîtier.



Alignez la partie saillante située sur le dessous du couvercle sur les fentes des œillets.
Ensuite, enfoncez à fond le couvercle sur le boîtier pour le mettre bien en place.



ENTREPOSAGE



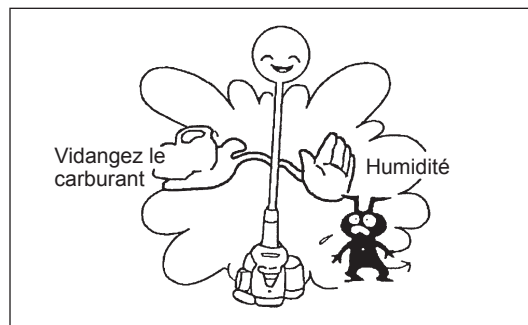
AVERTISSEMENT : Pour vidanger l'essence, veillez à arrêter le moteur et à vous assurer que le moteur ait refroidi.

Juste après l'arrêt du moteur, il peut encore être chaud et provoquer des brûlures ou un incendie.



ATTENTION : Lorsque vous prévoyez de ne pas utiliser la machine pendant une longue période, vidangez le réservoir d'essence et le carburateur, et entreposez-le dans un endroit sec et propre.

- Pour vidanger le réservoir d'essence et le carburateur, suivez la procédure suivante :
 - 1) Retirez le bouchon du réservoir d'essence, et vidangez-le entièrement. S'il reste un corps étranger dans le réservoir, retirez-le complètement.
 - 2) Retirez le filtre à essence de l'orifice de remplissage en utilisant un fil.
 - 3) Pressez la poire d'amorçage jusqu'à la vider de toute essence et vidangez l'essence qui arrive dans le réservoir d'essence.
 - 4) Remplacez le filtre sur le réservoir d'essence, et vissez fermement le bouchon de réservoir.
 - 5) Ensuite, faites tourner le moteur jusqu'à ce qu'il s'arrête.
- Retirez la bougie et glissez plusieurs gouttes d'huile de moteur dans le logement de la bougie.
- Tirez doucement la poignée du démarreur afin que l'huile du moteur se répande sur le moteur, puis remettez la bougie en place.
- Fixez le capot sur le couteau.
- En général, rangez l'appareil en position horizontale. Si cela n'est pas possible, placez-le de sorte que le moteur se trouve sous l'outil de coupe. Dans le cas contraire, de l'huile moteur risque de fuir depuis l'intérieur. Soyez très vigilant lors du rangement de l'appareil pour éviter qu'il tombe et provoque des blessures corporelles.
- Entrez l'essence vidangée dans un bidon spécial, dans un endroit ombragé et bien ventilé.



Attention après un entreposage pendant une longue période

- Avant de démarrer la machine après un long arrêt, veillez à remplacer le filtre à huile (voir à la page 47). L'huile se détériore lorsque la machine ne fonctionne pas pendant une longue période de temps.

Résolution de pannes

Panne	Système	Observation	Cause
Le moteur ne démarre pas, ou avec difficultés	Système d'allumage	Bougie d'allumage O.K.	Panne dans l'alimentation en carburant ou de la compression du système, panne mécanique
		Pas d'allumage	Interrupteur STOP commandé, panne de câblage ou de court-circuit, bougie ou connecteur défectueux, module d'allumage défectueux
	Alimentation en carburant	Réservoir rempli de carburant	Position incorrecte de l'étrangleur, carburateur défectueux, ligne d'alimentation en carburant courbée ou bloquée, carburant encrassé
	Compression	Pas de compression lors de la mise en route	Joint statique inférieur du cylindre défectueux, joints d'étanchéité du vilebrequin endommagés, cylindre ou segments de piston défectueux ou mauvaise étanchéité des bougies
Problèmes de démarrage à chaud	Panne mécanique	Commande du démarreur ne fonctionne pas	Ressort du démarreur cassé, pièces cassées à l'intérieur du moteur
		Réservoir plein, bougie d'allumage en place	Carburateur contaminé, nettoyez-le
Le moteur démarre mais s'éteint	Alimentation en carburant	Réservoir rempli	Mauvais réglage du ralenti, carburateur contaminé
Performance insuffisante	Plusieurs systèmes peuvent être simultanément affectés	Mauvais ralenti du moteur	Event du réservoir défectueux, ligne d'alimentation en carburant interrompue, câble ou interrupteur STOP défectueux
			Filtre à air contaminé, carburateur contaminé, silencieux bouché, conduit d'échappement dans le cylindre bouché

Élément \ Temps d'utilisation		Avant utilisation	Après lubrification	Journalière (10 h)	30 h	50 h	200 h	Arrêt/ repos	P correspondante
Huile du moteur	Inspecter	○							42
	Remplacez.					○*1			47
Serrage des pièces (boulon, écrou)	Inspecter	○							50
Réservoir de carburant	Nettoyer/ inspecter	○							—
	Vidangez le carburant							○*3	55
Levier d'accélération	Vérifier fonctionnement		○						—
Interrupteur d'arrêt	Vérifier fonctionnement		○						46
Couteau	Inspecter	○		○					39
Rotation au ralenti	Inspecter/ régler			○					46
Filtre à air	Nettoyez			○					49
Bougie d'allumage	Inspecter			○					49
Conduite d'air de refroidissement	Nettoyer/ inspecter			○					50
Tuyau d'alimentation	Inspecter			○					50
	Remplacez						◎*2		—
Graisse de la boîte d'engrenage	Remplir				○				49
Filtre à essence	Nettoyer/ remplacer					○			50
Espace entre les valves d'entrée et de sortie d'air	Régler						◎*2		—
Révision du moteur							◎*2		—
Carburateur	Vidangez le carburant							○*3	55

*1 Effectuez un remplacement initial après 20 heures d'utilisation.

*2 Confiez l'inspection des 200 heures de fonctionnement à un agent d'entretien agréé ou à un magasin.

*3 Après avoir vidé le réservoir d'essence, continuez à faire tourner le moteur et vidangez l'essence présente dans le carburateur.

RÉSOLUTION DE PROBLÈMES

Avant d'envoyer votre machine en réparation, vérifiez si vous pouvez régler le problème vous-même. Si vous trouvez un problème, contrôlez votre machine selon les descriptions de ce mode d'emploi. Ne démontez pas et ne modifiez pas de pièce d'une manière contraire à la description. Pour toute réparation, contactez un agent d'entretien agréé ou un revendeur local.

Problème	Cause probable (dysfonctionnement)	Solution
Le moteur ne démarre pas	Oubli d'activation de la poire d'amorçage	Appuyez 7 à 10 fois
	Tirage lent de la corde du démarreur	Tirez plus fort
	Panne d'essence	Faites le plein
	Filtre à essence bouché	Nettoyez
	Tube de graissage tordu	Étirez le tube de graissage
	Essence détériorée	Une essence détériorée rend le démarrage plus difficile. Repalcez-la par de l'essence neuve. (Remplacement recommandé : 1 fois par mois).
	Tirage excessif d'essence	Réglez le levier d'étrangleur de la vitesse moyenne à la vitesse élevée, et tirez sur la poignée de démarrage jusqu'à ce que le moteur démarre. Une fois le moteur démarré, le couteau commence à tourner. Faites très attention au couteau. Si le moteur ne démarre pas, retirez la bougie, séchez l'électrode et ré-assemblez le tout à l'original. Ensuite, démarrez comme indiqué.
	Connecteur des bougies débranché	Branchez-le fermement
	Bougie contaminée	Nettoyez
	Espacement anormal de la bougie	Réglez l'espacement
	Autre problème avec la bougie	Remplacez
	Carburateur anormal	Demandez une inspection et un entretien.
Le moteur s'arrête rapidement La vitesse du moteur n'augmente pas	Impossible de tirer la corde de démarrage	Demandez une inspection et un entretien.
	Entraînement anormal	Demandez une inspection et un entretien.
	Chauffage insuffisant	Faites chauffer le moteur
	Le levier d'étrangleur est en position « FERMER » alors que le moteur est chaud.	Réglez-le sur « OUVERT »
	Filtre à essence bouché	Nettoyer ou remplacer
	Filtre à air contaminé ou bouché	Nettoyez
Pas de rotation du couteau	Carburateur anormal	Demandez une inspection et un entretien.
	Entraînement anormal	Demandez une inspection et un entretien.
	Écrou de serrage du couteau desserré	Serrez-le fermement
<div style="border: 1px solid black; padding: 2px; width: fit-content; margin: 0 auto;">Arrêtez immédiatement le moteur</div>	Branche attrapée par le couteau ou le couvercle anti-dispersion.	Retirez le corps étranger
	Entraînement anormal	Demandez une inspection et un entretien.
	Entraînement anormal	Demandez une inspection et un entretien.
Vibrations anormales de la machine	Couteau cassé, tordu ou émoussé	Remplacez le couteau
	Écrou de serrage du couteau desserré	Serrez-le fermement
	Décalage de la partie convexe du couteau et de son support.	Branchez-le fermement
	Entraînement anormal	Demandez une inspection et un entretien.
Le couteau ne s'arrête pas immédiatement	Rotation élevée au ralenti	Régler
	Fil de l'étrangleur détaché	Branchez-le fermement
	Entraînement anormal	Demandez une inspection et un entretien.
Le moteur ne s'arrête pas	Connecteur débranché	Branchez-le fermement
	Système électrique anormal	Demandez une inspection et un entretien.
	Faites tourner le moteur au ralenti et réglez le levier d'étrangleur sur FERMER	

Lorsque le moteur ne démarre pas après l'avoir chauffé :

Si aucun problème n'apparaît après vérification, ouvrez l'étrangleur d'environ 1-3 et démarrez le moteur.




















Herzlichen Glückwunsch, dass Sie sich für den Kauf einer Motorsense von MAKITA entschieden haben. Wir freuen uns, Ihnen die Motorsense von MAKITA anbieten zu können; diese Erzeugnisse sind das Ergebnis eines langen Entwicklungsprogramms und vieler Jahre an Erkenntnissen und Erfahrungen. Lesen Sie diese Broschüre mit detaillierten Informationen zu den verschiedenen Punkten, die die herausragende Leistung demonstrieren, aufmerksam durch. So können Sie das best mögliche Ergebnis mit Ihrer Motorsense von MAKITA erzielen.



Inhaltsverzeichnis	Seite
Symbole.....	58
Sicherheitsvorschriften	59
Technische Daten	63
Bezeichnung der Bauteile.....	65
Montieren des Griffs	66
Montieren des Schutzes	67
Montieren der Schneidklinge / des Nylon-Schneidkopfes.....	68
Vor dem Betrieb.....	70
Richtige Handhabung des Werkzeugs	72
Wichtige Betriebsschritte und Stoppen des Werkzeugs.....	73
Wartungsanweisungen	75
Lagerung	83

SYMBOLE

Beim Lesen der Gebrauchsanleitung werden Sie die folgenden Symbole bemerken.

	Bitte lesen Sie die Bedienungsanleitung und befolgen Sie die Warnungen und Sicherheitshinweise!		Im Arbeitsbereich dürfen sich weder Personen noch Tiere aufhalten!
	Besondere Aufmerksamkeit erforderlich!		Tragen Sie Schutzhelm, Schutzbrille und Gehörschutz!
	Verboten!		Maximal zulässige Werkzeugdrehzahl
	Halten Sie Abstand!		Kraftstoff (Benzin)
	Gefahr durch herumfliegende Gegenstände!		Manueller Motorstart
	Rauchverbot!		Not-Aus
	Umgang mit offenen Flammen verboten!		Erste Hilfe
	Tragen Sie Schutzhandschuhe!		EIN / START
	Tragen Sie festes Schuhwerk mit rutschfester Sohle. Empfohlen werden Arbeitsschutzhufe mit Stahlkappen!		AUS / STOPP
	Rückschlag!		

SICHERHEITSVORSCHRIFTEN

Allgemeine Sicherheitsregeln

- Lesen Sie diese Betriebsanleitung durch und machen Sie sich mit dem Umgang mit diesem Werkzeug vertraut. Unzureichend informierte Bediener können durch unsachgemäßen Umgang mit dem Werkzeug sich und andere gefährden.
- Verleihen Sie das Werkzeug nur an Personen, die nachweislich über Erfahrungen im Umgang mit derartigen Werkzeugen verfügen. Überreichen Sie stets auch diese Betriebsanleitung.
- Erstanwender sollten sich von ihrem Händler eine grundlegende Einweisung geben lassen, um mit dem Umgang mit Motorsensen vertraut zu werden.
- Kindern und Jugendlichen unter 18 Jahren ist die Bedienung dieses Werkzeugs untersagt. Personen über 16 Jahre dürfen das Werkzeug für Übungszwecke bedienen, jedoch nur unter Aufsicht eines entsprechend qualifizierten Anleiters.
- Verwenden Sie dieses Werkzeug stets mit äußerster Vorsicht und Aufmerksamkeit.
- Betreiben Sie dieses Werkzeug nur, wenn Sie in guter physischer Verfassung sind. Führen Sie alle Arbeiten ruhig und mit Vorsicht aus. Die Bedienperson ist gegenüber Dritten haftbar.
- Betreiben Sie dieses Werkzeug nie unter dem Einfluss von Alkohol und/oder Medikamenten, oder wenn Sie müde oder erkrankt sind.
- Die Erlaubnis zur Verwendung dieses Werkzeugs kann durch örtlich geltende Gesetze und Bestimmungen eingeschränkt sein.

Verwendungszweck des Werkzeugs

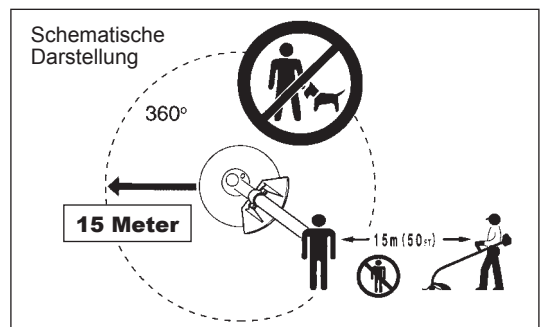
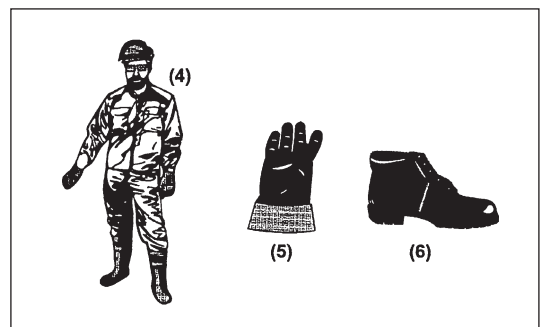
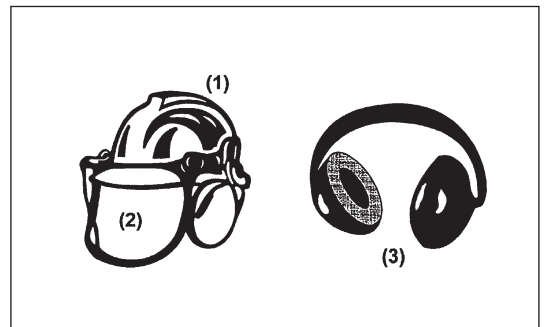
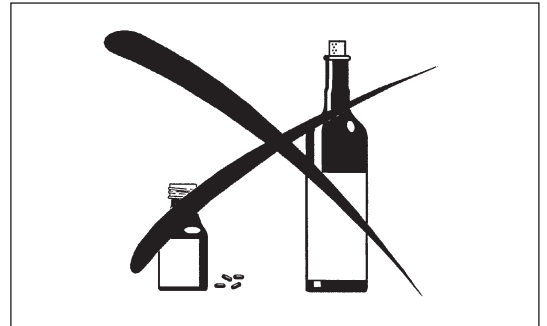
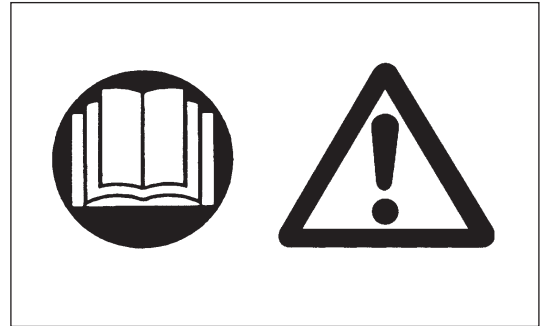
- Dieses Werkzeug darf ausschließlich für das Schneiden von Gras, Unkrautbewuchs, Gestrüpp und Wildwuchs verwendet werden. Das Werkzeug darf nicht für andere Zwecke verwendet werden, beispielsweise zum Beschneiden von Einfassungen oder Hecken, da es dabei zu Verletzungen kommen kann.

Persönliche Schutzausrüstung

- Tragen Sie zweckmäßige und geeignete Kleidung, d. h. die Kleidung sollte am Körper anliegen, jedoch ohne zu behindern. Tragen Sie keinen Schmuck. Tragen Sie keine Kleidung, mit der Sie sich in Büschen oder Gestrüpp verfangen könnten.
- Um Verletzungen von Gehör, Augen, Händen und Füßen zu vermeiden, aber auch um Ihre Hörleistung zu schützen, ist während des Betriebs des Werkzeugs die folgenden Schutzausrüstungen oder Schutzkleidungen zu tragen.
- Tragen Sie stets einen Helm, wenn die Gefahr herabfallender Gegenstände besteht. Der Schutzhelm (1) muss regelmäßig auf Beschädigungen überprüft und spätestens alle 5 Jahre durch einen neuen Helm ersetzt werden. Verwenden Sie ausschließlich zugelassene Schutzhelme.
- Das Visier (2) des Helms (oder alternativ eine Schutzbrille) schützt das Gesicht vor herumfliegenden Fremdkörpern und Steinen. Tragen Sie während des Betriebs des Werkzeugs eine Schutzbrille oder ein Visier, um Verletzungen der Augen zu vermeiden.
- Tragen Sie einen angemessenen Gehörschutz, um eine Schädigung des Gehörs zu vermeiden (Gehörschutzkapseln (3), Gehörschutzstöpsel usw.).
- Arbeitsanzüge (4) schützen gegen herumfliegende Steine und Fremdkörper. Wir empfehlen dringend, dass der Bediener einen Arbeitsanzug trägt.
- Handschuhe (5) sind Bestandteil der vorgeschriebenen Ausrüstung und müssen bei Betrieb dieses Werkzeugs immer getragen werden.
- Tragen Sie beim Arbeiten mit dem Werkzeug stets feste Schuhe (6) mit rutschfesten Sohlen. Derartige Schuhe schützen vor Verletzungen und geben einen sicheren Halt.

Starten der Motorsense

- Vergewissern Sie sich, dass sich in einem Arbeitsbereich von 15 m keine Kinder oder andere Personen aufhalten, achten Sie außerdem auf Tiere im Arbeitsbereich.
- Überprüfen Sie vor jeder Verwendung, dass das Werkzeug betriebssicher ist. Prüfen Sie die Sicherheit des Schneidwerkzeugs, den Gashebel auf einfache Bedienung und die Arretierung des Gashebels auf ordnungsgemäße Funktion.
- Im Leerlauf darf sich das Schneidwerkzeug nicht drehen. Wenden Sie sich bei Bedenken an Ihren Händler, um die Einstellungen überprüfen zu lassen. Sorgen Sie dafür, dass die Griffe sauber und trocken sind, und testen Sie die Funktion des Start-/Stoppeschalters.

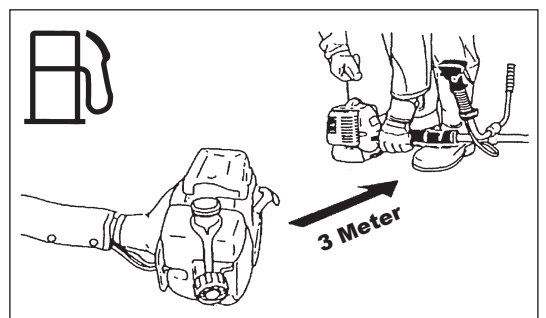
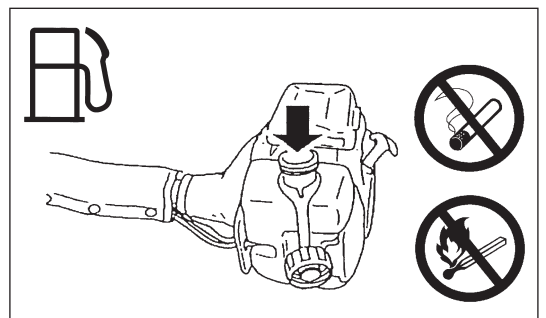
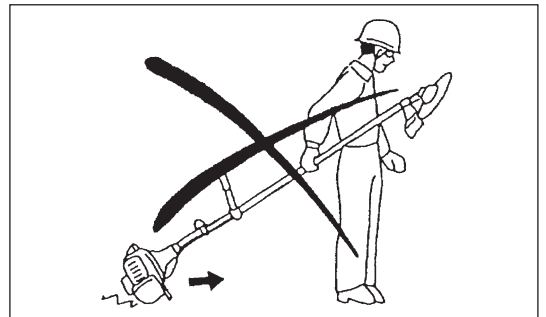
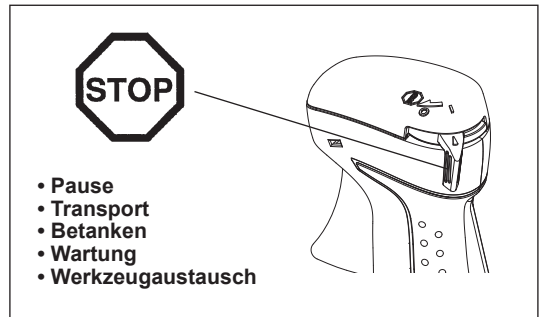
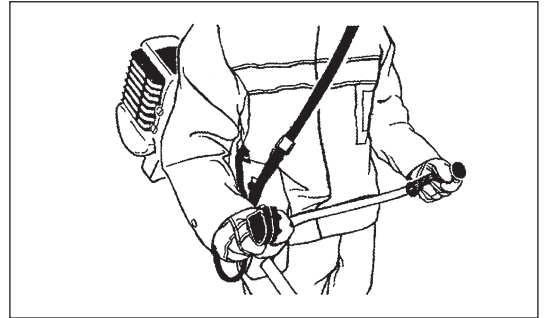
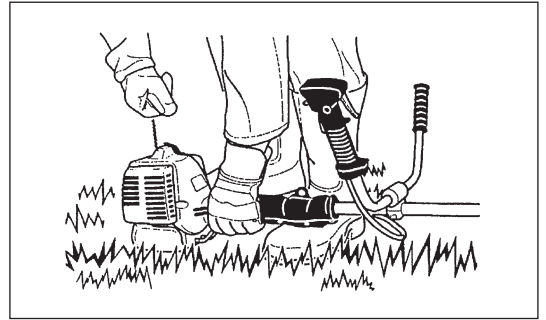


Starten Sie die Motorsense nur gemäß den Anleitungen.

- Starten Sie den Motor auf keine andere Weise!
- Verwenden Sie die Motorsense und die Werkzeuge nur für die angegebenen Zwecke.
- Starten Sie den Motor nur, wenn das Werkzeug vollständig zusammengebaut ist. Der Betrieb des Werkzeugs ist nur gestattet, wenn alles dazugehörige Zubehör anmontiert ist!
- Überprüfen Sie vor dem Starten, dass das Schneidwerkzeug keine harten Gegenstände (Geäst, Steine usw.) berührt, da sich das Schneidwerkzeug beim Starten dreht.
- Schalten Sie den Motor bei Auftreten von Problemen mit dem Motor sofort aus.
- Sollte das Schneidwerkzeug Steine oder andere harte Gegenstände treffen, schalten Sie sofort den Motor aus und überprüfen Sie das Schneidwerkzeug.
- Überprüfen Sie das Schneidwerkzeug in regelmäßigen, kurzen Zeitabständen. Prüfen Sie durch einen Klopfest auf Haarrisse.
- Wenn das Werkzeug einem starken Stoß ausgesetzt wurde oder heruntergefallen ist, überprüfen Sie den Zustand des Werkzeugs, bevor Sie die Arbeiten fortsetzen. Überprüfen Sie das Kraftstoffsystem auf Leckagen und die Bedienelemente und Sicherheitseinrichtungen auf Fehlfunktionen. Wenn Sie einen Schaden bemerken oder sich nicht sicher sind, wenden Sie sich zur Inspektion und Reparatur an unser Ihr autorisiertes Servicecenter.
- Betreiben Sie das Werkzeug nur mit befestigtem Schultergurt; der Schultergurt muss vor Inbetriebnahme der Motorsense an den Bediener angepasst werden. Wichtig ist, dass der Schultergurt auf die Körpergröße des Bedieners eingestellt wird, um ein Ermüden während der Arbeiten zu verhindern. Halten Sie die Motorsense während des Betriebs niemals mit nur einer Hand.
- Halten Sie die Motorsense während des Betriebs mit beiden Händen. Sorgen Sie immer für einen sicheren Stand.
- Betreiben Sie das Werkzeug stets so, dass Sie keine Abgase einatmen. Betreiben Sie den Motor niemals in geschlossenen Räumen (Gefahr einer Gasvergiftung). Kohlenmonoxid ist ein geruchloses Gas.
- Schalten Sie den Motor aus, wenn Sie das Werkzeug ablegen oder wenn Sie das Werkzeug unbeaufsichtigt lassen, und lagern Sie das Werkzeug immer an einem sicheren Ort, um die Gefährdung von Personen und Beschädigungen des Werkzeugs zu vermeiden.
- Legen Sie die heiße Motorsense niemals in trockenes Gras oder auf sonstige entflammable Materialien ab.
- Bringen Sie stets den Schneidwerkzeugschutz am Werkzeug an, bevor Sie den Motor starten. Andernfalls kann der Kontakt mit dem Schneidwerkzeug schwere Verletzungen verursachen.
- Während des Betriebs müssen alle mit dem Werkzeug gelieferten Schutzvorrichtungen und Abdeckungen verwendet werden.
- Betreiben Sie den Motor niemals mit beschädigtem Auspuffschalldämpfer.
- Schalten Sie den Motor während des Transports aus.
- Bringen Sie vor dem Transportieren des Werkzeugs stets die Abdeckung am Schneidblatt an.
- Sorgen Sie bei Transport des Werkzeugs in einem Fahrzeug für eine sichere Ablage, um das Austreten von Kraftstoff zu vermeiden.
- Sorgen Sie dafür, dass beim Transport der Kraftstofftank des Werkzeugs vollständig leer ist.
- Setzen Sie beim Abladen der Motorsense beim Abladen von einem LKW den Motor niemals hart auf den Boden auf; anderenfalls kann der Kraftstofftank beschädigt werden.
- Lassen Sie das Werkzeug nur in einem Notfall zu Boden fallen, da dadurch das Werkzeug beschädigt werden kann.
- Heben Sie das Werkzeug bei einem Umsetzen immer vollständig vom Boden ab. Das Ziehen des Werkzeugs am Kraftstofftank ist äußerst gefährlich und kann zu Beschädigung des Tanks oder Auslaufen von Kraftstoff führen und ggf. einen Brand verursachen.

Auftanken

- Schalten Sie den Motor aus, halten Sie den Motor von offenen Flammen fern und rauchen Sie während des Auftankens nicht.
- Vermeiden Sie Hautkontakt mit Mineralölprodukten. Atmen Sie die Kraftstoffdämpfe nicht ein. Tragen Sie zum Auftanken immer Schutzhandschuhe. Wechseln und reinigen Sie Schutzkleidung regelmäßig.
- Stellen Sie zur Vermeidung einer Kontaminierung des Erdbodens (Umweltschutz) sicher, dass kein Kraftstoff und kein Öl in das Erdreich eindringt. Wischen Sie verschütteten Kraftstoff unverzüglich von der Motorsense ab.
- Achten Sie darauf, dass Ihre Kleidung nicht in Kontakt mit Kraftstoff kommt. Falls Ihre Kleidung in Kontakt mit Kraftstoff gekommen ist, wechseln Sie die Kleidung sofort (Brandgefahr!).
- Überprüfen Sie den Tankdeckel regelmäßig auf ordnungsgemäßen Sitz und auf Dichtheit.
- Schrauben Sie den Tankdeckel ordnungsgemäß fest. Entfernen Sie sich mindesten 3 m vom Ort des Auftankens, bevor Sie den Motor starten.
- Tanken Sie das Werkzeug niemals in geschlossenen Räumen auf. Andernfalls kann es aufgrund einer Ansammlung von Kraftstoffdämpfen auf dem Boden zu einer Explosion kommen.
- Transportieren und lagern Sie Kraftstoff ausschließlich in dafür zugelassenen Behältern. Stellen Sie sicher, dass Kinder keinen Zugang zu gelagertem Kraftstoff haben.



Handhabung

- Verwenden Sie das Werkzeug nur bei guten Licht- und Sichtverhältnissen. Achten Sie im Winter auf rutschige oder nasse Bereiche, z. B. auf vereiste oder schneebedeckte Flächen (Rutschgefahr). Sorgen Sie immer für einen sicheren Stand.
- Schneiden Sie niemals über Hüfthöhe.
- Schneiden Sie niemals auf einer Leiter stehend.
- Klettern Sie niemals auf Bäume, um mit dem Werkzeug zu schneiden.
- Arbeiten Sie niemals auf nicht stabilen Flächen.
- Entfernen Sie Sand, Steine, Nägel usw. aus dem Arbeitsbereich. Fremdkörper können das Schneidwerkzeug beschädigen und so gefährliche Rückschläge verursachen.
- Vergewissern Sie sich vor Beginn des Schnitts, dass das Schneidwerkzeug die volle Arbeitsdrehzahl erreicht hat.
- Schwingen Sie das Werkzeug bei Verwendung von Metallblättern im Halbkreis von rechts nach links, wie eine Sense. Falls sich Gras oder Äste zwischen dem Schneidwerkzeug und dem Schutz verfangen, stoppen Sie vor dem Reinigen stets den Motor. Andernfalls kann eine unbeabsichtigte Drehung des Blattes schwere Verletzungen verursachen.
- Legen Sie regelmäßig Pausen ein, damit es nicht zu einem Kontrollverlust aufgrund von Ermüdungserscheinungen kommt. Wir empfehlen, jede Stunde eine Pause von 10 bis 20 Minuten einzulegen.

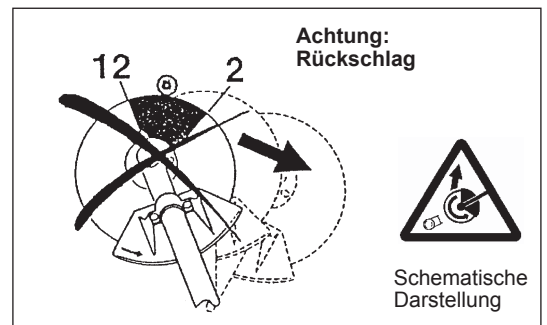


Schneidwerkzeuge

- Verwenden Sie ein für die anstehenden Arbeiten geeignetes Schneidwerkzeug. Für das Schneiden von Rasengras sind Nylon-Schneidköpfe (Faden-Trimmerkopf) geeignet. Für das Schneiden von Unkraut, hohem Gras, Büschen, Gestrüpp, Unterholz, Dickicht und ähnlichem sind Metallblätter geeignet. Verwenden Sie niemals andere Blätter, auch keine metallischen, mehrteiligen Pivoketten und Schlegelmesser. Anderenfalls kann es zu schweren Verletzungen kommen.
- Vermeiden Sie bei Verwendung von Metallblättern ein Rückschlagen, sogenanntes „Kickback“, und seien Sie auf ein plötzliches Rückschlagen gefasst. Informieren Sie sich in den Abschnitten „Rückschlag“ und „Vermeiden des Rückschlages“

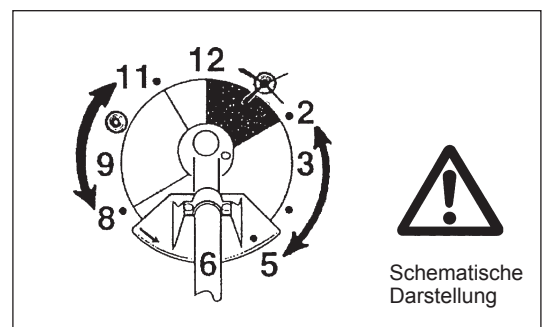
Rückschlag (Kickback)

- Ein Rückschlagen (Kickback) ist eine plötzliche Reaktion bei einem Verfangen oder Festsitzen des Schneidblatts. Tritt ein Rückschlagen auf, wird das Werkzeug mit großer Kraft seitwärts oder in Richtung des Bedieners geschleudert und kann schwere Verletzungen verursachen.
- Ein Rückschlagen tritt vor allem auf, wenn feste Gegenstände, Büsche und Bäume mit einem Durchmesser von mehr als 3 cm im Schneidblattbereich zwischen 12 und 2 Uhr geschnitten werden.
- So vermeiden Sie ein Rückschlagen:
 - Schneiden Sie im Bereich zwischen 8 und 11 Uhr.
 - Schneiden Sie niemals im Bereich zwischen 12 und 2 Uhr.
 - Schneiden Sie niemals im Bereich zwischen 11 und 12 Uhr sowie zwischen 2 und 5 Uhr, es sei denn, der Bediener ist geschult und erfahren und führt die Arbeiten auf eigene Gefahr aus.
 - Berühren Sie mit den Schneidblättern niemals feste Gegenstände, wie Zäune, Wände, Baumstümpfe und Steine.
 - Verwenden Sie die Schneidblätter niemals senkrecht, beispielsweise zum Abkanten oder Heckenschneiden.



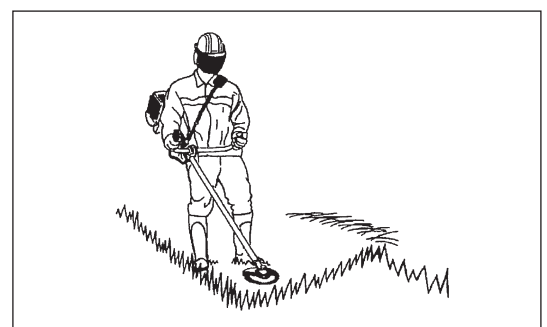
Schwingung

- Wenn sich Personen mit Durchblutungsstörungen zu starken mechanischen Schwingungen aussetzen, kann es zu Schädigungen von Blutgefäßen und/oder Nervensystem kommen. Folgende Symptome können durch Vibrationen an Fingern, Händen oder Handgelenken auftreten: „Einschlafen“ von Körperteilen (Taubheit), Kribbeln, Schmerz, Stechen, Veränderung von Hautfarbe oder Haut. Falls eines dieser Symptome auftritt, suchen Sie einen Arzt auf!
- Um das Risiko der „Weißfingerkrankheit“ zu verringern, halten Sie Ihre Hände während des Arbeitens warm und warten und pflegen Sie das Werkzeug und Zubehörteile gut.



Wartungsanweisungen

- Lassen Sie Ihr Werkzeug durch unser autorisiertes Servicecenter warten, verwenden Sie stets nur originale Ersatzteile. Unsachgemäße Reparatur- und Wartungsarbeiten können die Lebenszeit des Werkzeugs verkürzen und das Unfallrisiko erhöhen.
- Überprüfen Sie immer den Zustand des Schneidblatts, vor allem auch der Schutzvorrichtungen und des Schultergurtes, bevor Sie mit der Arbeit beginnen. Achten Sie besonders darauf, dass das Schneidblatt ordnungsgemäß geschärft ist.
- Schalten Sie den Motor aus und ziehen Sie den Zündkerzenstecker ab, bevor Sie das Schneidwerkzeug austauschen oder schärfen; die gilt auch für das Reinigen von Sense und/oder Schneidwerkzeug.



Beschädigte Schneidwerkzeuge dürfen auf keinen Fall begradigt oder geschweißt werden.

- Nehmen Sie Rücksicht auf die Umwelt und auf Ihre Nachbarn. Vermeiden Sie ein unnötiges Betätigen des Gashebels, damit Umweltbelastung und Geräuschentwicklung so gering wie möglich gehalten werden. Achten Sie auf eine korrekte Vergasereinstellung.
- Reinigen Sie das Werkzeug regelmäßig und überprüfen Sie, ob alle Schrauben und Muttern fest angezogen sind.
- Das Ausführen von Arbeiten am Werkzeug oder das Lagern des Werkzeugs in der Nähe offener Flammen ist verboten.
- Lagern Sie das Werkzeug in einem verschlossenen Raum und nur mit geleertem Tank.
- Bringen Sie vor dem Reinigen, Warten und Einlagern des Werkzeugs stets die Abdeckung am Schneidblatt an.



Beachten Sie die geltenden Bestimmungen zur Verhinderung von Unfällen, die von den zuständigen Berufsorganisationen und von Versicherungsunternehmen herausgebracht werden.

Nehmen Sie keinerlei technische Veränderungen am Werkzeug vor, da dies Ihre Sicherheit gefährden würde.

Der Bediener darf nur die in dieser Betriebsanleitung beschriebenen Wartungs- und Reparaturarbeiten durchführen. Alle anderen Arbeiten müssen von autorisiertem Wartungspersonal durchgeführt werden. Verwenden Sie ausschließlich originale Ersatz- und Zubehörteile, die von MAKITA freigegeben sind und geliefert werden.

Die Verwendung nicht freigegebener Zubehörteile und Werkzeuge stellt eine erhöhte Unfallgefahr dar.

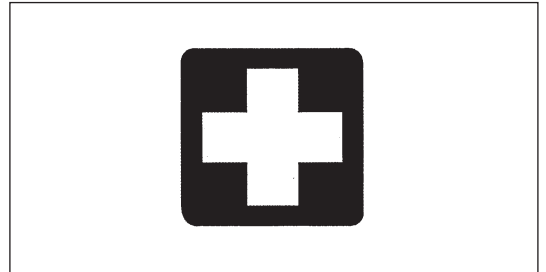
MAKITA übernimmt keine Haftung für Unfälle oder Schäden, die durch die Verwendung nicht genehmigter Schneidwerkzeuge, Befestigungen der Schneidwerkzeuge und Zubehörteile verursacht werden.

Erste Hilfe

Stellen Sie für den Fall eines Unfalls sicher, dass in der Nähe der Schneidarbeiten ein Erste-Hilfe-Kasten verfügbar ist. Ersetzen Sie aus dem Erste-Hilfe-Kasten entnommene Materialien sofort.

Machen Sie folgende Angaben, wenn Sie Hilfe anfordern:

- Ort des Unfalls
- Was ist passiert
- Anzahl der verletzten Personen
- Art der Verletzungen
- Ihr Name



Nur für europäische Länder

EG-Konformitätserklärung

Die EG-Konformitätserklärung liegt dieser Betriebsanleitung als Anhang A bei.

TECHNISCHE DATEN

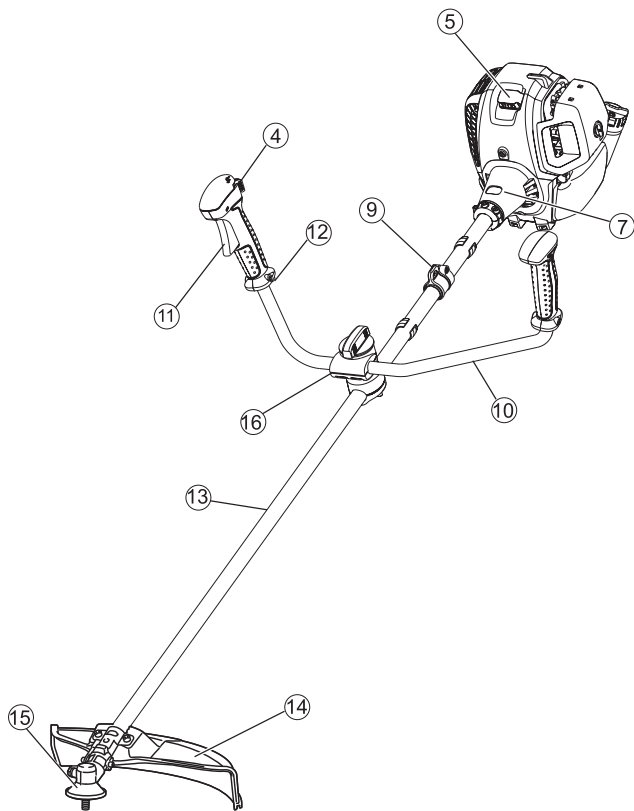
Modell		EM2650UH	EM2650UHN	EM2650LH	EM2650LHN	
Griffart		Fahrradgriff		Bügelgriff		
Abmessungen: Länge x Breite x Höhe (ohne Schneidwerkzeug) mm		1.765 x 620 x 474		1.765 x 330 x 264		
Gewicht (ohne Kunststoffschutz und Schneidwerkzeug) kg		5,6		5,3		
Volumen (Kraftstofftank) L		0,6				
Volumen (Öltank) L		0,08				
Motorhubraum cm ³		25,4				
Maximale Motorleistung kW		0,77 bei 7.000 min ⁻¹				
Motordrehzahl bei empfohlener max. Spindeldrehzahl min ⁻¹		10.000				
Max. Spindeldrehzahl (entsprechend) min ⁻¹		7.400				
Leerlaufdrehzahl min ⁻¹		3.000				
Drehzahl für Kupplungseingriff min ⁻¹		3.900				
Vergaser		Art des Diaphragma				
Zündungssystem		Kontaktlos, mit Magnet				
Zündkerzenstecker Typ		NGK CMR4A				
Elektrodenabstand mm		0,7 - 0,8				
Schwingungen nach ISO 22867	Rechter Griff (Hinterer Griff)	a _{hv eq} m/s ²	3,4	—	6,5	5,0
		Abweichung K m/s ²	0,6	—	2,3	1,3
	Linker Griff (Vorderer Griff)	a _{hv eq} m/s ²	4,5	—	6,7	6,4
		Abweichung K m/s ²	0,6	—	1,9	1,4
Durchschnittlicher Schalldruckpegel nach ISO 22868		L _{PA eq} dBA	96,6	—	96,6	91,6
		Abweichung K dBA	0,9	—	0,9	3,1
Durchschnittlicher Schalleistungspegel nach ISO 22868		L _{WA eq} dBA	105,5	—	105,5	101,6
		Abweichung K dBA	1,3	—	1,3	2,0
Kraftstoff		Fahrzeugbenzin				
Motorenöl		Klasse SF oder höher nach API-Klassifikation, Klasse 10W-30 nach SAE-Klassifikation (Motoröl für Auto-Viertaktmotor)				
Schneidwerkzeuge (Schneidklingen-Durchmesser) mm		230				
Übersetzung Getriebe		14/19				

TECHNISCHE DATEN

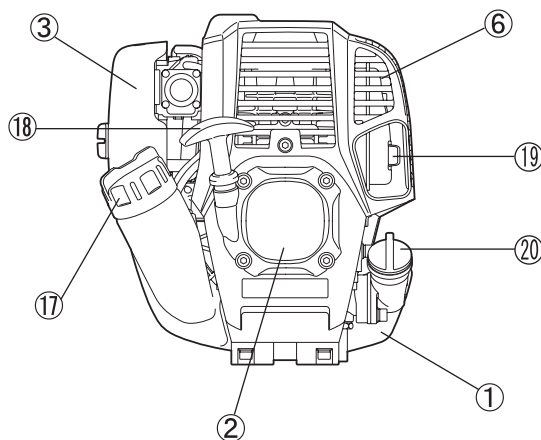
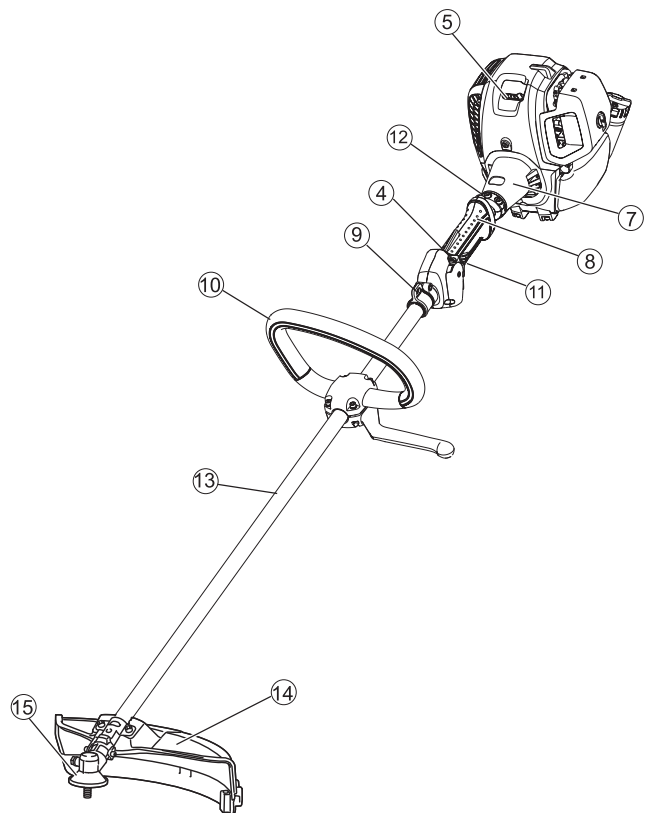
Modell			EM2651UH	EM2651LH
Griffart			Fahrradgriff	Bügelgriff
Abmessungen: Länge x Breite x Höhe (ohne Schneidwerkzeug) mm			1.765 x 620 x 474	1.765 x 330 x 264
Gewicht (ohne Kunststoffschutz und Schneidwerkzeug) kg			5,8	5,3
Volumen (Kraftstofftank) L			0,6	
Volumen (Öltank) L			0,08	
Motorhubraum cm ³			25,4	
Maximale Motorleistung kW			0,77 bei 7.000 min ⁻¹	
Motordrehzahl bei empfohlener max. Spindeldrehzahl min ⁻¹			10.000	
Max. Spindeldrehzahl (entsprechend) min ⁻¹			7.400	
Leerlaufdrehzahl min ⁻¹			3.000	
Drehzahl für Kupplungseingriff min ⁻¹			3.900	
Vergaser			Art des Diaphragma	
Zündungssystem			Kontaktlos, mit Magnet	
Zündkerzenstecker Typ			NGK CMR4A	
Elektrodenabstand mm			0,7 - 0,8	
Schwingungen nach ISO 22867	Rechter Griff (Hinterer Griff)	a _{hv eq} m/s ²	3,3	5,7
		Abweichung K m/s ²	0,8	1,2
	Linker Griff (Vorderer Griff)	a _{hv eq} m/s ²	4,3	6,0
		Abweichung K m/s ²	1,6	1,8
Durchschnittlicher Schalldruckpegel nach ISO 22868		L _{PA eq} dBA	96,6	
		Abweichung K dBA	0,9	
Durchschnittlicher Schalleistungspegel nach ISO 22868		L _{WA eq} dBA	105,5	
		Abweichung K dBA	1,3	
Kraftstoff			Fahrzeugbenzin	
Motorenöl			Klasse SF oder höher nach API-Klassifikation, Klasse 10W-30 nach SAE-Klassifikation (Motoröl für Auto-Viertaktmotor)	
Schneidwerkzeuge (Schneidklingen-Durchmesser) mm			230	
Übersetzung Getriebe			14/19	

BEZEICHNUNG DER BAUTEILE

**EM2650UH
EM2650UHN
EM2651UH**



**EM2650LH
EM2650LHN
EM2651LH**



D	BEZEICHNUNG DER BAUTEILE
1	Kraftstofftank
2	Seilspulstarter
3	Luftreiniger
4	I/O-Schalter (EIN/AUS)
5	Zündkerzenstecker
6	Abluftschalldämpfer
7	Kupplungsgehäuse
8	Hinterer Griff
9	Aufhängung
10	Griff
11	Regelungshebel
12	Regelungskabel
13	Spindel
14	Schutz (Schutz für Schneidwerkzeug)
15	Getriebegehäuse / Kopfgehäuse
16	Griffhalterung
17	Tankdeckel
18	Starterknopf
19	Abluftleitung
20	Ölstandsanzeiger

MONTIEREN DES GRIFFS

ACHTUNG: Stoppen Sie vor allen Arbeiten mit der Motorsense den Motor und ziehen Sie den Zündkerzenstecker von der Zündkerze.
Tragen Sie immer Schutzhandschuhe!

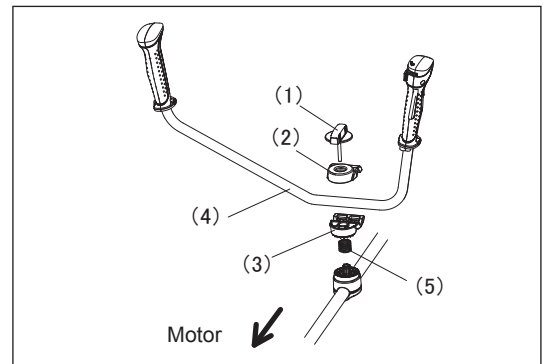
ACHTUNG: Stellen Sie sicher, dass Sie die Motorsense vor dem Start wieder vollständig montiert haben.



Für Modelle mit Fahrradgriff

- Lösen Sie den Knauf (1).
- Richten Sie den Griff (4) zwischen Griffklemme (2) und Griffhalterung (3) aus.
- Richten Sie den Griff (4) in einem Winkel aus, der Ihnen eine komfortable Arbeitsposition ermöglicht und sichern Sie diesen anschließend, indem Sie den Knauf (1) handfest anziehen.

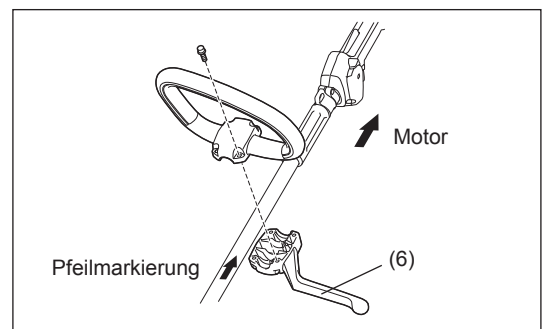
ACHTUNG: Vergessen Sie nicht, die Feder mit zu montieren (5).



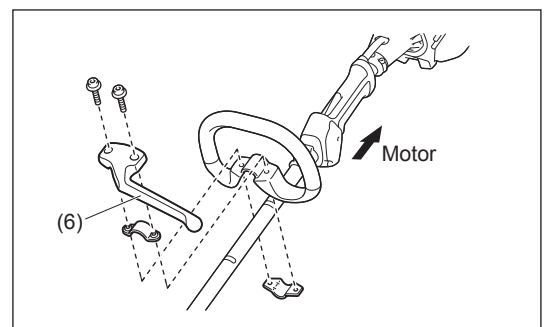
Für Modelle mit Bügelgriff

- Befestigen Sie an der linken Seite eine Sperre (6) zusammen mit dem Griff, um den Bediener zu schützen.
- Stellen Sie sicher, dass die Baugruppe aus Griff/Sperre zwischen das Distanzstück und die Pfeilmarkierung platziert wird.

WARNUNG: Entfernen oder kürzen Sie das Distanzstück nicht. Das Distanzstück hält einen bestimmten Abstand zwischen beiden Händen. Das Platzieren des Griiffs/der Sperre näher als die Länge des Distanzstücks zum anderen Griff kann zu Kontrollverlust und schweren Verletzungen führen.



Hinweis: In einigen Ländern verfügt der Griff möglicherweise über keine Sperre.



MONTIEREN DES SCHUTZES

WARNUNG:


Verwenden Sie das Werkzeug nur mit der zugelassenen Kombination an Sicherheitseinrichtungen. Andernfalls kann der Kontakt mit einem Schneidwerkzeug schwere Verletzungen verursachen.

ACHTUNG:

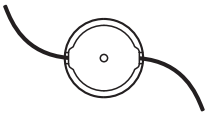
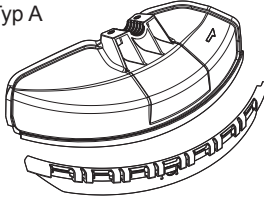

Ziehen Sie die beiden Schrauben rechts und links gleichmäßig fest, sodass der Abstand zwischen der Klemme und der Schutzhaube konstant ist. Andernfalls erfüllt die Schutzhaube ggf. nicht ihre Funktion.

Aufgrund der geltenden Sicherheitsvorschriften dürfen nur die in dieser Übersicht aufgezeigten Werkzeug/Schutzhauben-Kombinationen verwendet werden.

Verwenden des Metallschneidblatts

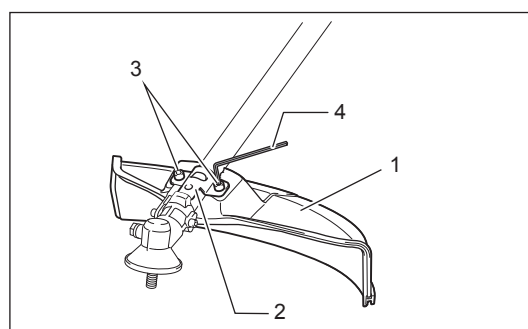
Metallschneidblatt	Klemmscheibe, Kappe und Mutter sind erforderlich	Schutzhaube
		<p>Typ A</p> 

Verwenden des Nylon-Schneidkopfs

Nylon-Schneidkopf	Schutzhaube	
	<p>Typ A</p> 	<p>Typ B</p> 

Für Metallschneidblatt

Verwenden Sie einen Innensechskantschlüssel der Größe 5 (4), um die Schutzhaube vom Typ A (1) mit zwei Schrauben M6 x 25 (3) an der Klemme (2) zu befestigen.



Für Nylon-Schneidkopf (für Schutzhaube vom Typ A)

ACHTUNG:

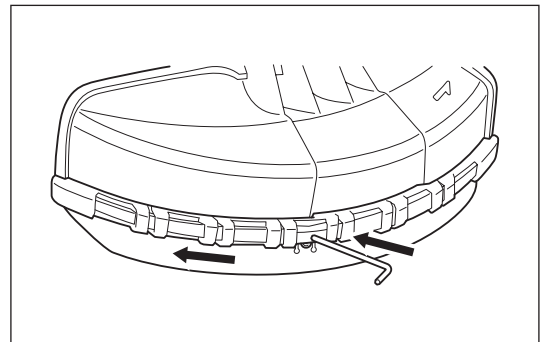
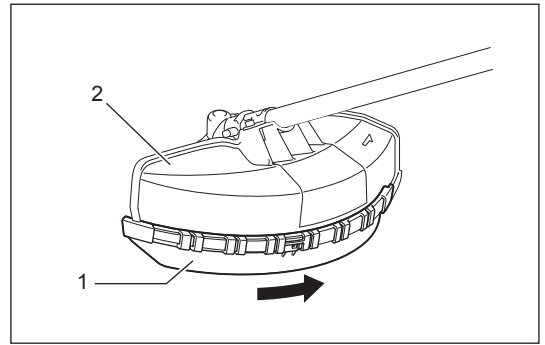
Vergewissern Sie sich, dass die Schutzhaubenverlängerung (1) ganz hineingedrückt ist.

Die Schutzhaubenverlängerung kann sonst abfallen, wodurch es zu Verletzungen kommen kann.

ACHTUNG:

Achten Sie darauf, dass Sie sich nicht an der Schneide des Nylonfaden-Abschneiders verletzen.

1. Befestigen Sie die Schutzhaube mit zwei Schrauben M6 x 25 an der Klemme.
2. Montieren Sie die Schutzhaubenverlängerung (1), indem Sie sie auf die Flanke der Schutzhaube des Metallschneidblatts (2) schieben.
3. Entfernen Sie an der Schutzhaubenverlängerung das an der Schneide des Nylonfaden-Abschneiders aufgeklebte Band.
4. Setzen Sie zum Entfernen der Schutzhaubenverlängerung einen Inbusschlüssel der Größe 4 in die Kerbe an der Schutzhaube ein, drücken Sie den Schlüssel hinein und schieben Sie gleichzeitig die Schutzhaubenverlängerung zur Seite.

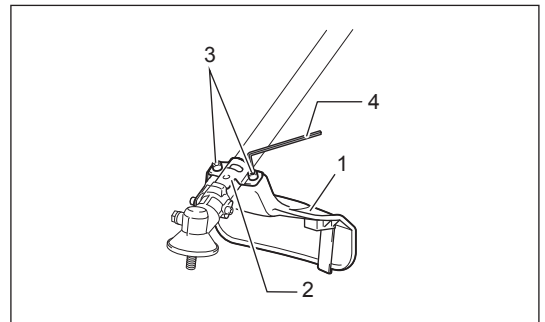


Für Nylon-Schneidkopf (für Schutzhaube vom Typ B)

ACHTUNG:

Achten Sie darauf, dass Sie sich nicht an der Schneide des Nylonfaden-Abschneiders verletzen.

Verwenden Sie einen Innensechskantschlüssel der Größe 5 (4), um die Schutzhaube (1) mit zwei Schrauben M6 x 25 (3) an der Klemme (2) zu befestigen.



MONTIEREN DER SCHNEIDKLINGE / DES NYLON-SCHNEIDKOPFES

ACHTUNG:

Verwenden Sie ausschließlich originale Schneidblätter / Nylon-Schneidköpfe von MAKITA.

- Das Schneidblatt muss gut geschliffen sein und darf keine Risse oder Brüche aufweisen. Falls das Schneidblatt während des Betriebs gegen einen Stein geschlagen ist, stoppen Sie sofort den Motor und überprüfen Sie das Blatt.
- Schleifen oder ersetzen Sie das Schneidblatt aller drei Betriebsstunden.
- Falls der Nylon-Schneidkopf während des Betriebs gegen einen Stein geschlagen ist, stoppen Sie sofort den Motor und überprüfen Sie den Nylon-Schneidkopf.

ACHTUNG:

Der Außendurchmesser des Schneidblatts muss 230 mm betragen. Verwenden Sie niemals Schneidblätter mit einem Außendurchmesser von mehr als 230 mm.

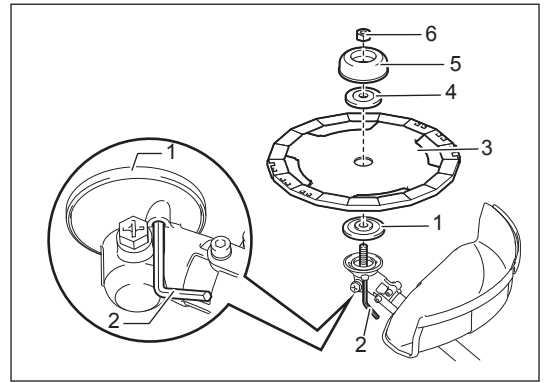
Schneidblatt oder Nylon-Schneidkopf lassen sich einfacher austauschen, wenn Sie vorher das Werkzeug umdrehen.

Montieren des Metallschneidblatts

ACHTUNG:

Tragen Sie beim Umgang mit dem Metallschneidblatt immer Schutzhandschuhe und bringen Sie die Schneidblattabdeckung auf dem Metallschneidblatt an.

1. Bringen Sie die Aufnahmescheibe (1) auf der Welle an.
2. Stecken Sie den Innensechskantschlüssel der Größe 4 (2) durch die Öffnung im Getriebegehäuse und drehen Sie die Aufnahmescheibe (1), bis diese vom Innensechskantschlüssel erfasst wird.
3. Montieren Sie das Metallschneidblatt (3) auf dem Schaft, sodass die Führung der Aufnahmescheibe (1) in das Spindeloch in des Metallschneidblatts passt.
4. Befestigen Sie die Klemmscheibe (4) und die Kappe (5), und sichern Sie das Schneidblatt, indem Sie die Mutter (6) gegen den Uhrzeigersinn drehen. [Anzugsmoment: 13 bis 23 N m]
5. Entfernen Sie nach dem Montieren des Metallschneidblatts den Innensechskantschlüssel.

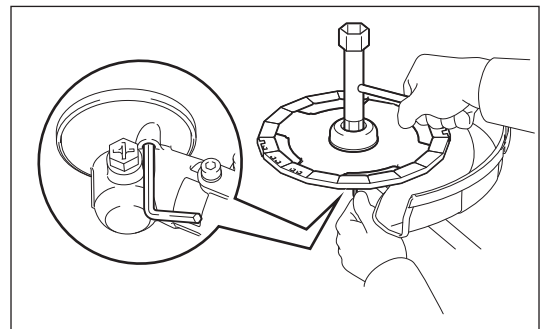


Gehen Sie wie folgt vor, um das Metallschneidblatt zu entfernen:

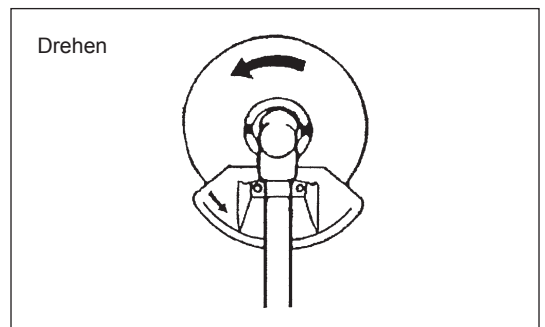
1. Stecken Sie den Inbusschlüssel durch die Öffnung im Getriebegehäuse und drehen Sie die Aufnahmescheibe, bis diese mit dem Innensechskantschlüssel einrastet.
2. Lösen Sie die Mutter (im Uhrzeigersinn) mit dem Steckschlüssel und entfernen Sie Mutter, Kappe, Klemmscheibe und Innensechskantschlüssel.

HINWEIS:

Die Befestigungsmutter des Schneidblatts (mit Federscheibe) ist ein Verschleißteil. Ersetzen Sie die Mutter, wenn Sie Verschleiß oder Deformation an der Federscheibe feststellen.

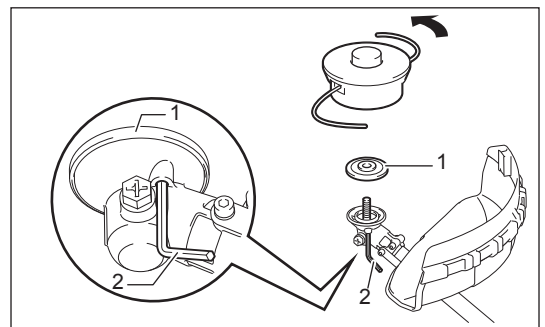


Vergewissern Sie sich, dass sich das Blatt gegen den Uhrzeigersinn dreht.



Montieren des Nylon-Schneidkopfes

1. Bringen Sie die Aufnahmescheibe (1) auf der Welle an.
2. Stecken Sie den Innensechskantschlüssel (2) durch die Öffnung im Getriebegehäuse und drehen Sie die Aufnahmescheibe (1), bis diese vom Innensechskantschlüssel erfasst wird.
3. Schrauben Sie anschließend den Nylon-Schneidkopf gegen den Uhrzeigersinn auf den Schaft.
4. Entfernen Sie nach dem Montieren des Nylon-Schneidkopfes den Innensechskantschlüssel.



Inspektion und Nachfüllen von Motorenöl

- Gehen Sie dazu wie folgt vor, wenn der Motor abgekühlt ist.
- Stellen Sie das Antriebsniveau ein, entfernen Sie den Öldeckel (Abb. 1) und prüfen Sie, ob Sie Öl im Bereich zwischen den oberen und unteren Grenzmarkierungen der Ölleitung sehen (Abb. 2).
- Füllen Sie Öl bis zur oberen Grenzmarkierung auf, falls nicht ausreichend Öl vorhanden ist (Ölstand nahe der unteren Grenzmarkierung) (Abb. 3).
- Der Bereich um die äußeren Markierungen ist transparent, so dass Sie den Ölstand im Inneren prüfen können, ohne den Öldeckel abzunehmen. Wenn die Ölleitung jedoch stark verschmutzt, kann die Sichtbarkeit verloren gehen, und der Ölstand muss am gestuften Bereich im Inneren der Ölleitung geprüft werden.
- Hinweis: Die Ölnachfüllzeit beträgt etwa 10 h (10 Mal oder 10 Tanks Ölnachfüllung).
Falls das Öl seine Farbe ändert oder sich mit Schmutz vermischt, ersetzen Sie es durch neues Öl. (Weitere Informationen zum Intervall und der Methode des Ölwechsels finden Sie auf Seite 75.)

Empfohlenes Öl: SAE 10W-30 Öl der API-Klassifikation, Klasse SF oder höher (Viertaktmotor für Autos)
Ölmenge: ca. 0,08 l

Hinweis: Falls der Motor nicht aufrecht gehalten wird, kann Öl rund um den Motor fließen, sodass zuviel Öl nachgefüllt wird.
 Falls zuviel Öl eingefüllt wird, kann das Öl verschmutzt werden oder mit weißem Rauch Feuer fangen.

Punkt 1 beim Ölwechsel: „Ölstandsanzeiger“

- Entfernen Sie Staub und Schmutz um den Öleinfüllstutzen und entfernen Sie den Ölstandsanzeiger.
- Halten Sie die entfernte Ölstandsanzeige frei von Sand und Staub. Andernfalls kann anheftender Sand oder Staub eine abnormale Ölzirkulation oder einen Verschleiß der Motorteile und Probleme verursachen.

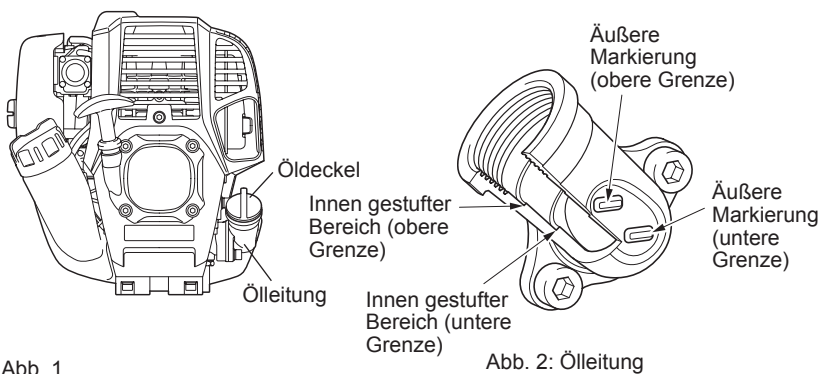


Abb. 1

Abb. 2: Ölleitung

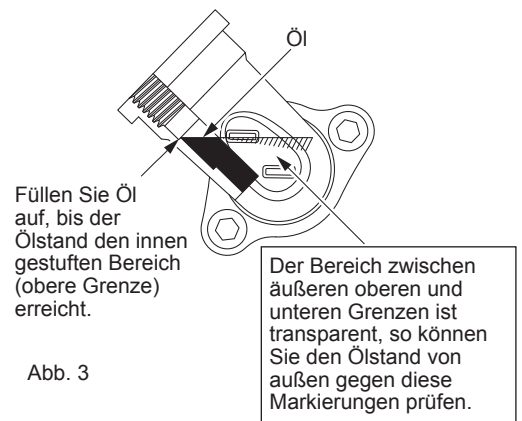
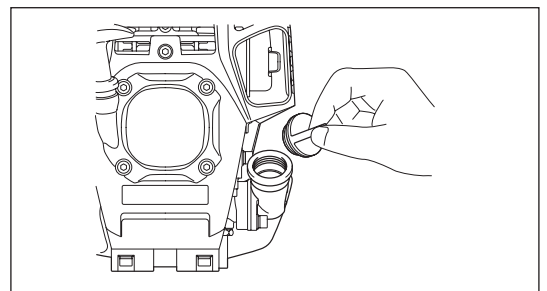
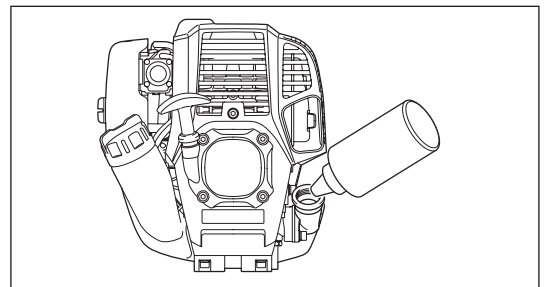


Abb. 3

(1) Halten Sie das Antriebsniveau und nehmen Sie den Öldeckel ab.



(2) Füllen Sie Öl bis zu oberen Grenzmarkierung auf. (siehe Abb. 3)
 Verwenden Sie zum Auffüllen eine Ölflasche.



(3) Ziehen Sie den Öldeckel fest. Bei unzureichendem Festziehen kann Öl auslaufen.

Hinweis

- Bringen Sie den Motor vor dem Ölwechsel in die waagerechte Position.
- Beim Auffüllen von Öl mit dem Motor in einer geneigten Position wird zu viel Öl aufgefüllt, und es kann zu Ölverschmutzungen und/oder Önebelbildung kommen.

Punkt 2 beim Ölwechsel: „Falls Öl ausläuft“

- Falls Öl zwischen Kraftstofftank und Motorenhauptblock ausläuft, wird das Öl über den Kühllufteinlass angesaugt, sodass der Motor verunreinigt wird. Vergewissern Sie sich, dass Sie vor dem Start des Betriebs alles ausgelaufene Öl abgewischt haben.

AUFTANKEN

Umgang mit dem Kraftstoff

Beim Umgang mit Kraftstoff ist äußerste Vorsicht geboten. Kraftstoffe können den Lösungsmitteln ähnliche Substanzen enthalten. Tanken Sie nur in einem gut belüfteten Raum oder im Freien auf. Atmen Sie die Kraftstoffdämpfe nicht ein, und vermeiden Sie jeglichen Kontakt mit dem Kraftstoff. Durch anhaltenden oder wiederholten Hautkontakt wird Ihre Haut trocken, was zu Hauterkrankungen oder allergischen Reaktionen führen kann. Falls Kraftstoff in Ihre Augen gelangt, reinigen Sie diese sofort mit frischem Wasser. Falls die Augenirritation anhält, suchen Sie einen Arzt auf.

Aufbewahrungszeitraum von Kraftstoff

Der Kraftstoff sollte innerhalb eines Zeitraums von 4 Wochen verwendet werden, auch wenn er in einem speziellen Container an einem gut belüfteten, schattigen Ort gelagert wird.

Falls kein spezieller Container verwendet wird, oder falls der Container nicht verschlossen wird, kann der Kraftstoff innerhalb eines Tages zerfallen.

LAGERUNG DES WERKZEUGS UND AUFTANKEN

- Lagern Sie das Werkzeug und den Tank an einem kühlen Ort ohne direkte Sonneneinstrahlung.
- Lagern Sie Kraftstoff niemals in der Zelle oder im Schlauch.

Kraftstoff

Der Motor ist ein Vier-Takt-Motor. Vergewissern Sie sich, dass Sie Fahrzeugbenzin (Normal- oder Super-Benzin) verwenden.

Wichtige Punkte beim Tanken

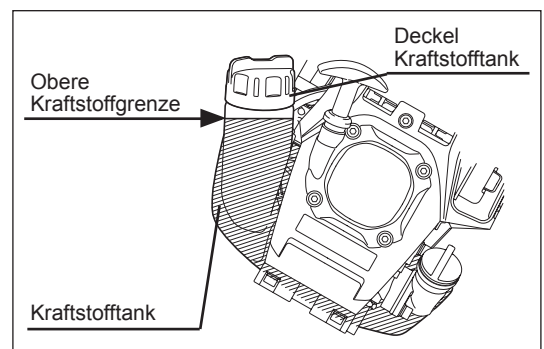
- Verwenden Sie niemals ein Gemisch aus Benzin und Motorenöl. Andernfalls treten übermäßige Kohleablagerungen oder mechanische Probleme auf.
- Die Verwendung von zersetztem Öl führt zu einem ungleichförmigen Anlaufen.

Auftanken

WARNUNG: UMGANG MIT OFFENEN FLAMMEN STRENGSTENS VERBOTEN!

Verwendetes Benzin: Fahrzeugbenzin (bleifreies Benzin)

- Öffnen Sie den Tankdeckel ein wenig, um einen Druckausgleich zu gewährleisten.
 - Entfernen Sie den Tankdeckel. Tanken Sie auf und leiten Sie die Luft ab, indem Sie den Kraftstofftank neigen, sodass der Nachfüllstutzen nach oben zeigt. (Füllen Sie Kraftstoff niemals bis zum Ölnachfüllstutzen.)
 - Wischen Sie um den Tankdeckel gut sauber, damit keine Fremdkörper in den Kraftstofftank eindringen können.
 - Schrauben Sie nach dem Auftanken den Tankdeckel sicher fest.
- Falls der Tankdeckel einen Riss oder eine Beschädigung aufweist, ersetzen Sie ihn.
 - Der Tankdeckel ist ein Verschleißartikel und sollte daher alle zwei bis drei Jahre erneuert werden.



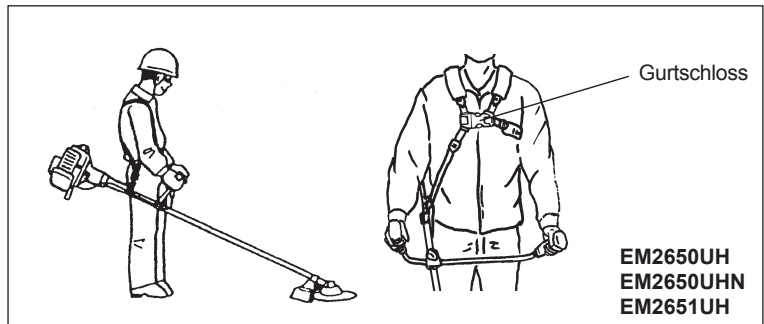
RICHTIGE HANDHABUNG DES WERKZEUGS

Befestigen des Schultergurtes

- Stellen Sie die Gurtlänge so ein, dass die Schneidklinge parallel zum Boden verläuft.

Für EM2650UH, EM2650UHN, EM2651UH

HINWEIS: Achten Sie darauf, dass sich Ihre Kleidung usw. nicht im Gurtschloss verfängt.



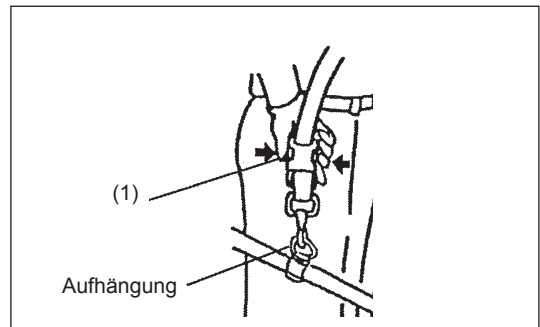
Trennen

Für EM2650LH, EM2651LH

- Drücken Sie im Notfall die Einrastungen (1) an beiden Seiten und Sie können das Werkzeug von Ihnen abtrennen.

Gehen Sie äußerst vorsichtig vor, damit Sie jederzeit die Kontrolle über das Werkzeug behalten. Lassen Sie nicht zu, dass das Werkzeug in Ihre Richtung oder in Richtung anderer Personen in Ihrer Nähe abprallt.

WARNUNG: Andernfalls können Sie die Kontrolle über das Werkzeug verlieren und schwere oder TÖDLICHE Verletzungen verursachen.

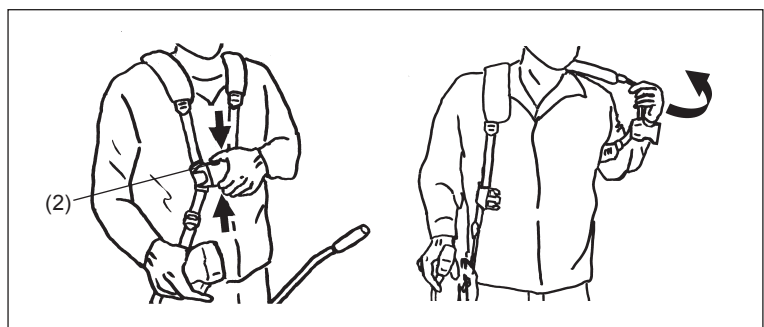


Für EM2650UH, EM2650UHN, EM2651UH

- Drücken Sie im Notfall die Einrastungen (2) an beiden Seiten und Sie können das Werkzeug von Ihnen abtrennen.

Gehen Sie äußerst vorsichtig vor, damit Sie jederzeit die Kontrolle über das Werkzeug behalten. Lassen Sie nicht zu, dass das Werkzeug in Ihre Richtung oder in Richtung anderer Personen in Ihrer Nähe abprallt.

WARNUNG: Andernfalls können Sie die Kontrolle über das Werkzeug verlieren und schwere oder TÖDLICHE Verletzungen verursachen.

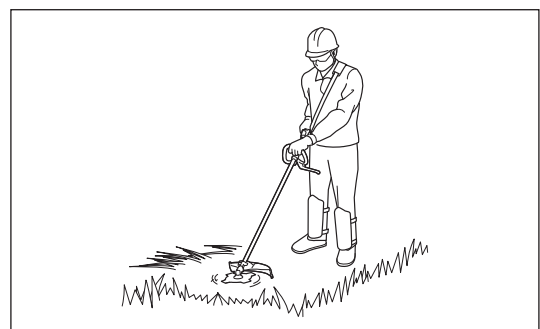


WARNUNG:

Positionieren Sie das Werkzeug immer auf Ihrer rechten Seite. Durch die korrekte Positionierung des Werkzeugs ist eine bestmögliche Kontrolle gewährleistet und wird die Gefahr schwerer Verletzungen durch ein Zurückschlagen des Werkzeugs verringert.

WARNUNG:

Gehen Sie äußerst vorsichtig vor, damit Sie jederzeit die Kontrolle über das Werkzeug behalten. Lassen Sie nicht zu, dass das Werkzeug in Ihre Richtung oder in Richtung anderer Personen in Ihrer Nähe abgelenkt wird. Bei Verlust der Kontrolle über das Werkzeug kann es zu schweren Verletzungen des Bedieners oder umstehender Personen kommen.

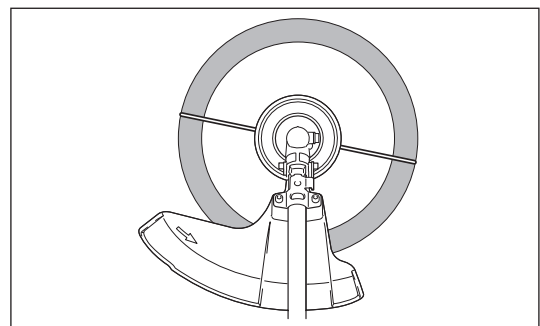


Arbeiten mit dem Nylon-Schneidkopf

Der Nylon-Schneidkopf ist ein Trimmerkopf mit zwei Nylonfäden, die durch das Aufstoßen des Schneidkopfs weiter aus dem Schneidkopf heraustreten. Damit der Nylonfaden weiter aus dem Kopf heraustritt, stoßen Sie den Schneidkopf während er sich dreht auf den Boden auf. Der effektivste Schnittbereich ist schraffiert dargestellt.

HINWEIS:

Falls der Nylonfaden nicht durch Aufstoßen des Schneidkopfs auf den Boden herausgeführt werden kann, spulen Sie den Nylonfaden neu auf oder tauschen Sie ihn aus (siehe Abschnitt „WARTUNGSANWEISUNGEN“).



WICHTIGE BETRIEBSSCHRITTE UND STOPPEN DES WERKZEUGS

Beachten Sie die geltenden Bestimmungen zur Unfallvermeidung!

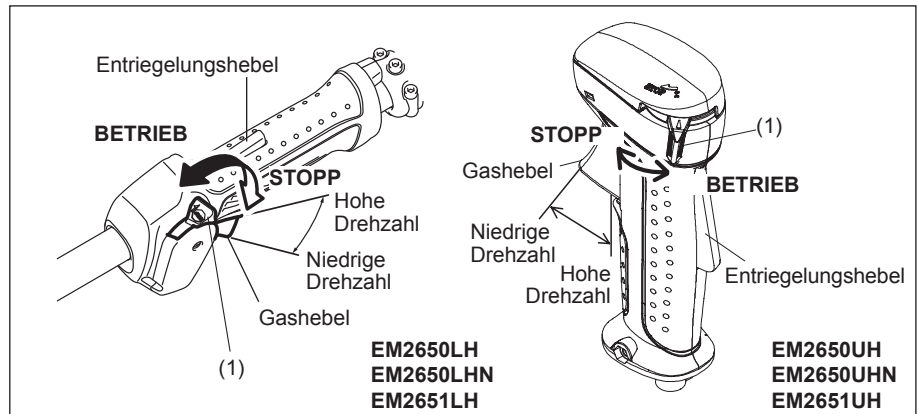


STARTEN

Bewegen Sie sich mindestens 3 m von dem Platz des Auftankens weg. Legen Sie die Motorsense auf einem sauberen Untergrund ab und achten Sie darauf, dass das Schneidwerkzeug nicht in Kontakt mit dem Erdboden oder anderen Gegenständen kommt.

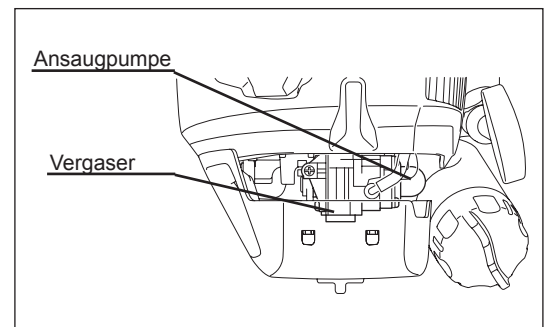
A: Kaltstart

- 1) Legen Sie das Werkzeug auf einer ebenen Fläche ab.
- 2) Stellen Sie den I/O-Schalter (1) auf BETRIEB.



- 3) Ansaugpumpe

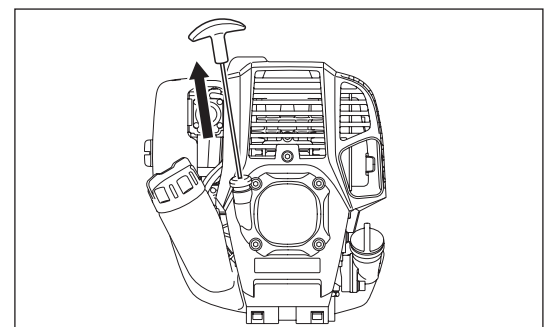
Drücken Sie die Ansaugpumpe weiter, bis Kraftstoff in die Ansaugpumpe eintritt. (Im Allgemeinen tritt Kraftstoff nach 7 bis 10 Pumpvorgängen in die Ansaugpumpe ein.)
Falls die Ansaugpumpe übermäßig gedrückt wird, fließt das überflüssige Benzin zurück in den Kraftstofftank.



- 4) Rückstoßstarter

Ziehen Sie langsam den Starterknopf, bis dieser schwer zu ziehen ist (Verdichtungspunkt). Schieben Sie den Starterknopf anschließend zurück und ziehen Sie den Starterknopf nun kräftig.

Ziehen Sie das Seil niemals ganz. Lassen Sie beim Ziehen des Starterknopfs niemals unvermittelt los. Halten Sie den Starterknopf, bis dieser in die ursprüngliche Lage zurückgekehrt ist.



- 5) Aufwärmbetrieb

Setzen Sie den Aufwärmbetrieb für 2 bis 3 Minuten fort.

Hinweis: Falls zu viel Kraftstoff in den Motor gelangt ist, schrauben Sie die Zündkerze heraus und ziehen Sie langsam am Startergriff, damit der überflüssige Kraftstoff aus dem Motor austritt. Trocknen Sie außerdem den Bereich der Zündkerzenelektrode.

Vorsichtsmaßnahmen bei Betrieb:

Falls der Gashebel während des Leerlaufbetriebs vollständig geöffnet ist, erreicht die Motordrehzahl über 10.000 U/min. Betreiben Sie den Motor niemals mit einer höheren Drehzahl als erforderlich, halten Sie eine Drehzahl von ca. 6.000 bis 8.500 U/min ein.

B: Anlaufen nach dem Aufwärmbetrieb

- 1) Drücken Sie die Ansaugpumpe wiederholt.
- 2) Halten Sie den Gashebel in der Leerlaufposition.
- 3) Ziehen Sie den Rückstoßstarter kräftig.
- 4) Falls sich der Motor schwer starten lässt, öffnen Sie den Gashebel um 1/3. Achten Sie auf die Schneidklinge, sie könnte sich drehen.

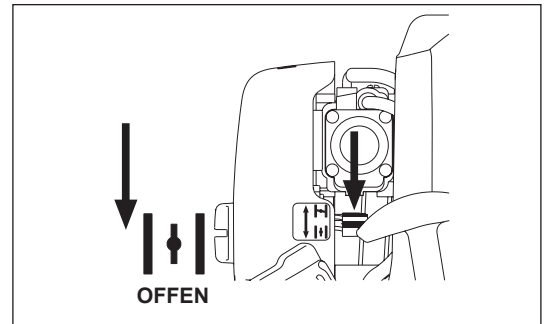
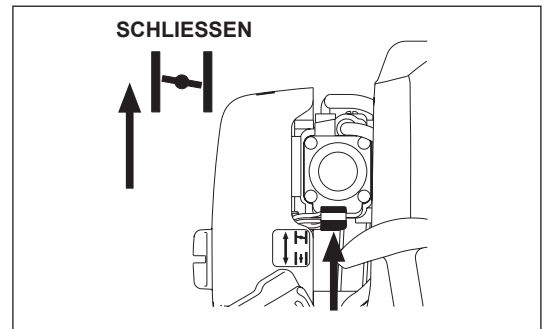
Manchmal, zum Beispiel im Winter, lässt sich der Motor schwer starten

Betätigen Sie beim Starten des Motors den Choke-Hebel wie folgt.

- Stellen Sie nach der Umsetzung der Anlaufschritte 1) bis 3) den Choke-Hebel auf die Position SCHLIESSEN.
- Führen Sie Anlaufschritt 4) aus und starten Sie den Motor.
- Stellen Sie nach dem Starten des Motors den Choke-Hebel auf die Position OFFEN.
- Führen Sie Anlaufschritt 5) aus und beenden Sie das Aufwärmen.

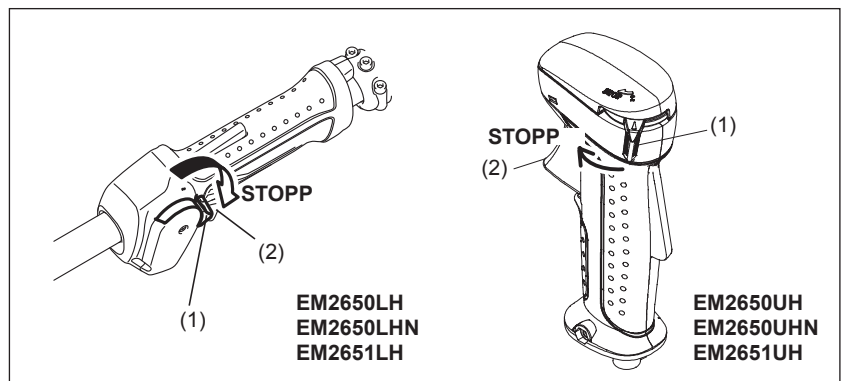
ACHTUNG: Falls Sie einen Knall (Explosionsgeräusch) hören und der Motor stoppt, oder der soeben gestartete Motor festgefahren ist, bevor Sie den Choke-Hebel betätigen, bringen Sie den Choke-Hebel zurück in die Position OFFEN und ziehen Sie den Starterknopf für einige Sekunden, um den Motor zu starten.

ACHTUNG: Falls sich der Choke-Hebel in der Position SCHLIESSEN befindet, und der Starterknopf nur wiederholt gezogen wurde, wird zu viel Kraftstoff angesaugt und der Motor wird schwer zu starten sein.



STOPPEN

- 1) Lassen Sie den Gashebel (2) vollkommen los, und drücken Sie, wenn sich die Motordrehzahl verlangsamt hat, den I/O-Schalter in die Position STOPP, um den Motor zu stoppen.
- 2) Beachten Sie, dass der Schneidkopf nicht sofort stoppt, und prüfen Sie, dass dieser von selbst langsamer wird.



ANPASSEN DER NIEDERDREHZAH (LEERLAUF)

Passen Sie die Leerlaufdrehzahl bei Bedarf mit Hilfe der Vergaser-Einstellschraube an.

ÜBERPRÜFEN DER NIEDERDREHZAH

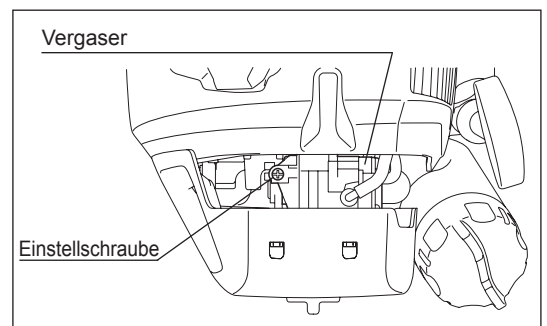
ACHTUNG:

Das Schneidwerkzeug kann während des Einstellens des Vergasers rotieren. Legen Sie die vorgeschriebene Schutzausrüstung an und halten Sie alle Sicherheitsbestimmungen ein. Stellen Sie sicher, dass das Schneidwerkzeug zum Stillstand kommt, wenn der Motor im Leerlauf läuft.

ACHTUNG

Achten Sie beim Ausschalten des Werkzeugs darauf, dass das Schneidwerkzeug zum Stillstand gekommen ist, bevor Sie das Werkzeug ablegen.

- Stellen Sie die Leerlaufdrehzahl auf 3.000 U/min ein¹.
Passen Sie die Leerlaufdrehzahl bei Bedarf an, indem Sie die Einstellschraube (rechts abgebildet) mit einem Kreuzschlitz-Schraubendreher regulieren.
- Drehen Sie die Einstellschraube nach rechts, um die Motordrehzahl zu erhöhen. Drehen Sie die Einstellschraube nach links, um die Motordrehzahl zu verringern.
- Im Allgemeinen wurde der Vergaser vor dem Versand eingestellt. Falls eine Neueinstellung erforderlich ist, wenden Sie sich bitte an ein autorisiertes Servicezentrum.



WARTUNGSANWEISUNGEN

ACHTUNG: Stoppen Sie vor allen Arbeiten mit der Motorsense den Motor und ziehen Sie den Zündkerzenstecker von der Zündkerze (siehe „Überprüfen der Zündkerze“).
Tragen Sie immer Schutzhandschuhe!

Führen Sie die folgenden Wartungsarbeiten regelmäßig durch, um eine lange Lebenszeit zu erzielen und Beschädigungen des Werkzeugs zu vermeiden.

Tägliche Inspektionen und Wartungsarbeiten

- Überprüfen Sie vor dem Betrieb das Werkzeug auf lose Schrauben und fehlende Teile. Achten Sie besonders auf den festen Sitz der Motorsense oder des Nylon-Schneidkopfes.
- Überprüfen Sie vor jedem Betrieb, dass die Kühlluftdurchgänge und Zylinderlamellen nicht verstopft sind. Reinigen Sie diese bei Bedarf.
- Führen Sie die folgenden Wartungsarbeiten täglich nach der Arbeit durch:
 - Reinigen Sie die Motorsense im ausgebauten Zustand und überprüfen Sie diese auf Beschädigungen.
 - Reinigen Sie den Luftfilter. Wenn Sie unter sehr staubigen Bedingungen arbeiten, reinigen Sie den Filter mehrmals am Tag.
 - Prüfen Sie die Schneide oder den Nylon-Schneidkopf auf Beschädigungen und überprüfen Sie die ordnungsgemäße Montage.
 - Prüfen Sie, dass der Abstand zwischen Leerlauf- und Betriebsdrehzahlen ausreichend ist, damit das Werkzeug bei Leerlauf des Motors im Stillstand ist (reduzieren Sie bei Bedarf die Leerlaufdrehzahl).
Falls sich das Schneidwerkzeug während des Leerlaufs des Motors weiter dreht, wenden Sie sich an das nächste autorisierte Servicezentrum.
- Prüfen Sie den I/O-Schalter, den Entriegelungshebel, den Regelungshebel und die Verriegelungstaste auf ordnungsgemäße Funktionsweise.

Nachschärfen des Metallschneidblatts

ACHTUNG:

Metallschneidblätter dürfen nur durch autorisierte Einrichtungen nachgeschärft werden. Nachschärfen von Hand kann zu einer Unwucht des Schneidwerkzeugs führen, was Vibrationen hervorrufen und Schäden für das Gerät zur Folge haben kann.

HINWEIS: Zur Verlängerung der Lebenszeit des Schneidblatts kann das Schneidblatt einmal umgedreht werden, damit die Schneidkanten auf beiden Seiten abgenutzt werden.

WECHSELN DES MOTORENÖLS

Zersetztes Motorenöl verkürzt die Lebensdauer der gleitenden und rotierenden Teile in großem Maße. Prüfen Sie daher den Zeitraum und die Menge für den Wechsel.



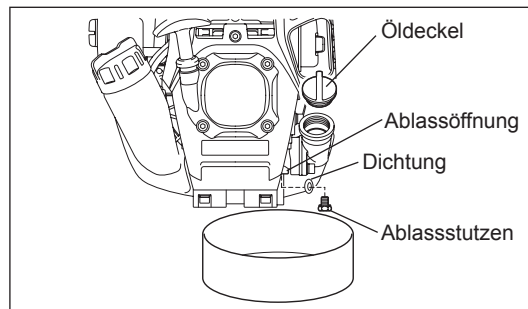
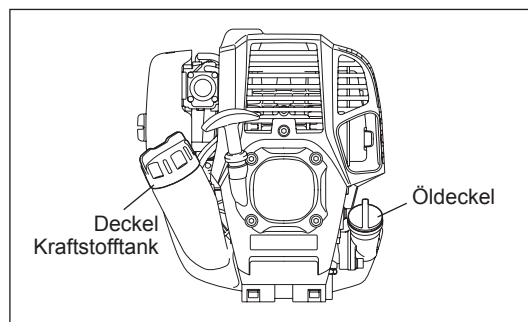
ACHTUNG: Im Allgemeinen sind der Motorhauptblock und das Motorenöl nach dem unmittelbaren Stopp des Motors noch heiß. Überprüfen Sie bei einem Ölwechsel, dass der Motorhauptblock und das Motorenöl ausreichend abgekühlt sind. Andernfalls besteht Verbrennungsgefahr.

Hinweis: Falls zuviel Öl eingefüllt wird, kann das Öl verschmutzt werden oder mit weißem Rauch Feuer fangen.

Intervall für den Ölwechsel: Zu Beginn aller 20 Betriebsstunden und anschließend aller 50 Betriebsstunden
Empfohlenes Öl: SAE 10W-30 Öl der API-Klassifikation, Klasse SF oder höher (Viertaktmotor für Autos)

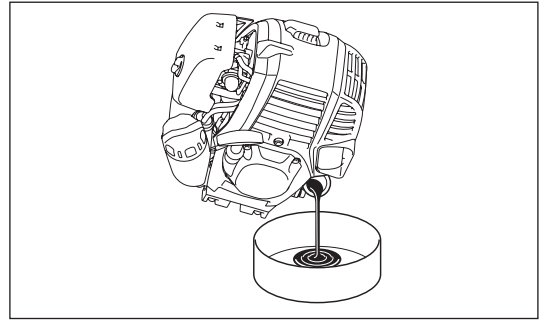
Gehen Sie zum Ölwechsel wie folgt vor.

- 1) Überprüfen Sie, dass der Tankdeckel sicher festgezogen ist.
- 2) Stellen Sie einen großen Behälter (Auffangwanne, usw.) unter die Ablassöffnung.
- 3) Entfernen Sie den Ablassstutzen und nehmen Sie anschließend den Öldeckel aus der Ablassöffnung. Verlegen Sie die Dichtung des Ablassstutzens nicht und achten Sie darauf, dass die ausgebauten Teile nicht verschmutzen.
- 4) Setzen Sie, wenn alles Öl abgelassen wurde, Dichtung und Ablassstutzen zusammen und ziehen Sie den Ablassstutzen fest, so dass sich dieser nicht löst und ein Leck verursacht.
* Wischen Sie mit einem Tuch am Stutzen und Werkzeug anhaftendes Öl ab.

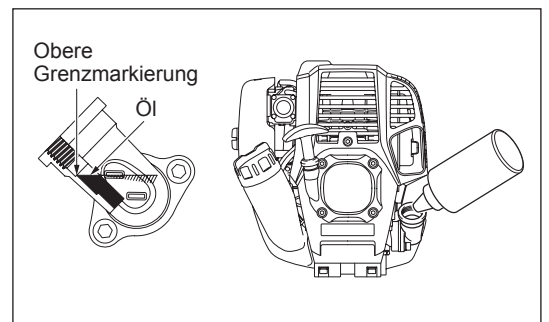
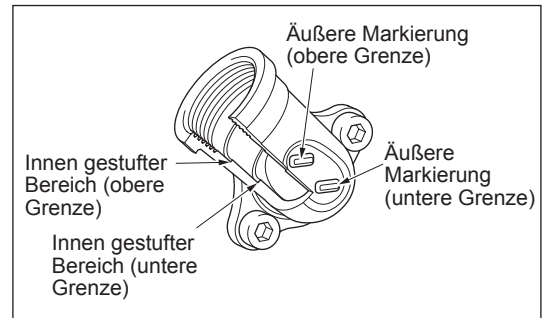


Alternative Ablassmethode

Entfernen Sie den Öldeckel, neigen Sie die Motorsense in Richtung Ölfüllöffnung, und lassen Sie das Öl ab. Sammeln Sie das Öl in einem Behälter.



- 5) Stellen Sie das Antriebsniveau ein, und füllen Sie nach und nach neues Öl bis zur oberen Grenzmarkierung nach.
- 6) Ziehen Sie nach dem Auffüllen den Öldeckel fest, so dass sich dieser nicht löst und ein Leck verursacht. Falls der Öldeckel nicht sicher festgezogen ist, kann ein Leck entstehen.



WICHTIGE PUNKTE ZUM ÖL

- Entsorgen Sie ausgetauschtes Motorenöl niemals über den Hausmüll, in die Erde oder in Abwasserkanäle. Die Altöleentsorgung ist gesetzlich geregelt. Halten Sie bei der Entsorgung stets die entsprechenden Regelungen und Bestimmungen ein. Wenden Sie sich bei Unklarheiten an ein autorisiertes Servicezentrum.
- Öl zersetzt sich, auch wenn es nicht verwendet wird. Führen Sie regelmäßig eine Überprüfung und einen Ölwechsel durch (Ölwechsel aller 6 Monate).

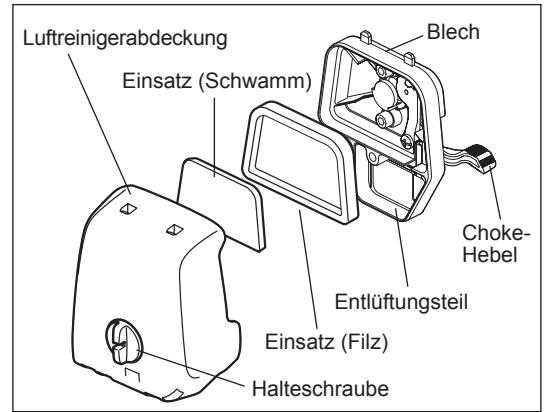
REINIGEN DES LUFTREINIGERS



GEFAHR: UMGANG MIT OFFENEN FLAMMEN STRENGSTENS VERBOTEN!

Intervall für Reinigung und Inspektion: Täglich (aller 10 Betriebsstunden)

- Drehen Sie den Choke-Hebel vollständig zu, und halten Sie den Vergaser fern von Staub oder Schmutz.
- Lösen Sie die Halteschraube.
- Nehmen Sie die Luftreinigerabdeckung ab.
- Entnehmen Sie die Filtereinsätze und klopfen Sie den Staub aus ihnen.
- Falls die Filtereinsätze stark verschmutzt sind:
Entnehmen Sie die Filtereinsätze, tauchen Sie diese in warmes Wasser oder in Wasser mit verdünntem neutralem Reinigungsmittel, und lassen Sie die Filtereinsätze anschließend vollständig trocknen. Drücken und schrubben Sie die Filtereinsätze beim Reinigen nicht.
- Lassen Sie die Filtereinsätze vollständig trocknen, bevor Sie diese wieder einbauen. Bei unzureichender Trocknung der Filtereinsätze können Schwierigkeiten beim Starten des Motors auftreten.
- Wischen Sie anhaftendes Öl um die Luftreinigerabdeckung und die Entlüftung mit einem Putzlappen ab.
- Passen Sie den Einsatz (Schwamm) in den Einsatz (Filz) ein.
Passen Sie die Filtereinsätze so in die Platte ein, dass der Schwamm zur Luftreinigerabdeckung zeigt.
- Bringen Sie die Reinigerabdeckung unverzüglich an, und sichern Sie diese mit Schrauben. (Bringen Sie bei der Wiedermontage zuerst die obere Klemme und dann die untere Klemme wieder an.)



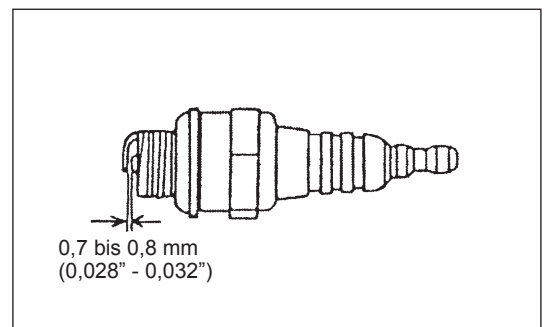
HINWEIS:

- Reinigen Sie die Filtereinsätze mehrere Male am Tag, falls übermäßig Staub anhaftet. Verschmutzte Filtereinsätze führen zum Absinken der Motorleistung und erschweren das Starten des Motors.
- Reinigen Sie die Filtereinsätze von Öl. Falls der Betrieb mit ölverschmutzten Filtereinsätzen fortgesetzt wird, kann Öl aus dem Luftfilter austreten und zu einer Ölverschmutzung führen.
- Legen Sie die Filtereinsätze nicht auf der Erde oder an verschmutzten Stellen ab. Andernfalls können anhaftender Staub oder Schmutz Schäden am Motor verursachen.
- Verwenden Sie zum Reinigen der Filtereinsätze niemals Kraftstoff. Die Filtereinsätze können durch Kraftstoff beschädigt werden.

ÜBERPRÜFEN DER ZÜNDKERZE

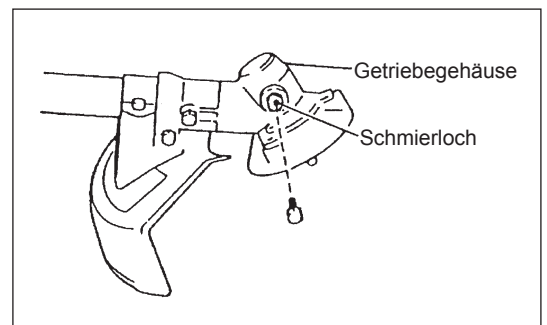
- Verwenden Sie nur den mitgelieferten Universalschraubenschlüssel, um die Zündkerze zu entfernen oder einzubauen.
- Der Abstand zwischen den Elektroden der Zündkerze sollte zwischen 0,7 und 0,8 mm (0,028" - 0,032") liegen. Passen Sie den Abstand bei Bedarf an. Falls die Zündkerze verschmutzt oder verstopft ist, reinigen Sie diese gründlich oder ersetzen Sie sie.

ACHTUNG: Berühren Sie den Zündkerzenstecker niemals, wenn der Motor läuft (Gefahr eines Hochspannungsschlags).



AUFTRAGEN VON SCHMIERE AUF DAS GETRIEBEGEHÄUSE

- Tragen Sie alle 30 Betriebsstunden Schmiere (Shell Alvania 2 oder eine äquivalente) durch das Schmierloch auf das Getriebegehäuse auf. (Originale MAKITA-Schmierfett erhalten Sie bei Ihrem MAKITA-Händler.)



REINIGEN DES KRAFTSTOFFFILTERS

WARNUNG: UMGANG MIT FEUER STRENGSTENS VERBOTEN

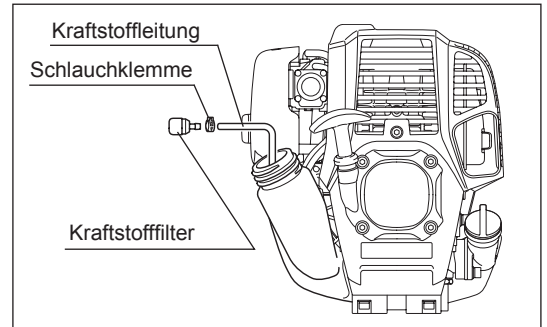
Intervall für Reinigung und Inspektion: Monatlich (aller 50 Betriebsstunden)

Ansaugkopf im Kraftstofftank

Überprüfen Sie den Kraftstofffilter regelmäßig. Führen Sie die unten genannten Schritte aus, um den Kraftstofffilter zu überprüfen:

- (1) Nehmen Sie den Tankdeckel ab und lassen Sie den Kraftstoff ab, bis der Tank leer ist. Überprüfen Sie das Tankinnere auf Fremdkörper. Entfernen Sie diese, falls vorhanden.
- (2) Ziehen Sie mit Hilfe eines Drahthakens den Ansaugkopf durch die Tanköffnung.
- (3) Wenn der Kraftstofffilter leicht verschmutzt ist, reinigen Sie den Kraftstofffilter. Reinigen Sie den Kraftstofffilter, indem Sie ihn in Kraftstoff schütteln und ausklopfen. Drücken oder reiben Sie den Filter nicht, da der Filter dadurch beschädigt werden könnte. Der für das Reinigen verwendete Kraftstoff muss entsprechend der örtlich geltenden Gesetze und Bestimmungen entsorgt werden.
Wenn der Kraftstofffilter verhärtet oder stark verstopft ist, tauschen Sie den Filter aus.
- (4) Drücken Sie den Kraftstofffilter nach dem Überprüfen, Reinigen oder Austauschen bis ganz nach unten in den Kraftstofftank.

Ein verstopfter oder beschädigter Kraftstofffilter kann zu einer unzureichenden Zufuhr von Kraftstoff und zu einem Absinken der Motorleistung führen. Tauschen Sie den Kraftstofffilter mindestens alle 3 Monate aus, damit die Zufuhr von ausreichend Kraftstoff zum Vergaser sichergestellt ist.



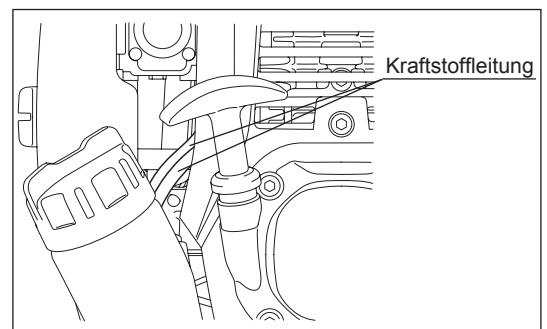
AUSTAUSCHEN DER KRAFTSTOFFLEITUNG

ACHTUNG: UMGANG MIT FEUER STRENGSTENS VERBOTEN

Intervall für Reinigung und Inspektion: Täglich (aller 10 Betriebsstunden)

Austausch: Jährlich (aller 200 Betriebsstunden)

Tauschen Sie die Kraftstoffleitung jedes Jahr aus, unabhängig von der Betriebshäufigkeit. Kraftstofflecks können einen Brand verursachen. Falls Sie während des Betriebs ein Leck entdecken, tauschen Sie die Ölleitung sofort aus.



INSPEKTION DER BOLZEN, MUTTERN UND SCHRAUBEN

- Ziehen Sie lose Bolzen, Muttern usw. wieder fest.
- Prüfen Sie auf Kraftstoff- und Öllecks.
- Tauschen Sie für einen sicheren Betrieb beschädigte Teile durch neue aus.

REINIGEN DER BAUTEILE

- Halten Sie den Motor stets sauber.
- Halten Sie die Zylinderlamellen frei von Sand und Staub. An den Lamellen anhaftender Staub und Schmutz führt zu einer Reibverschleißung des Kolbens.

AUSTAUSCHEN DER DICHTUNGEN UND VERBINDUNGEN

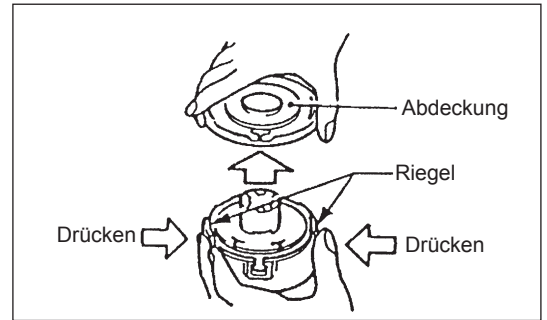
Vergewissern Sie sich bei der Wiedermontage des Motors, dass Sie die Dichtungen und Dichtungsmassen durch neue ersetzen. Alle Wartungsarbeiten oder Einstellungen, die in diesem Handbuch nicht beschrieben wurden, müssen von autorisierten Servicezentren durchgeführt werden.

Austauschen des Nylonfadens

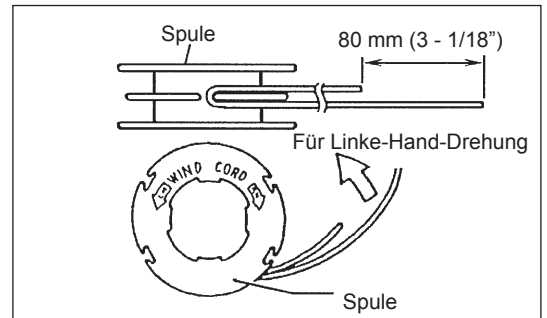
(Für Ultra Auto 4)

Stoppen Sie zuerst den Motor.

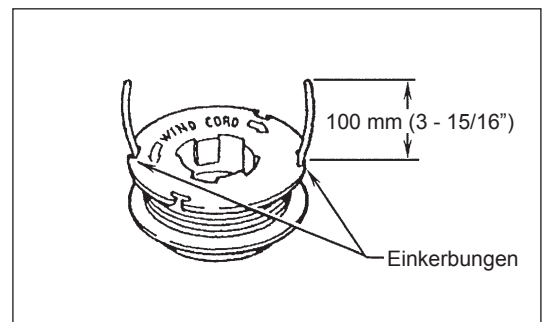
Drücken Sie die Riegel nach innen, um die Abdeckung anzuheben und die Spule zu entfernen.



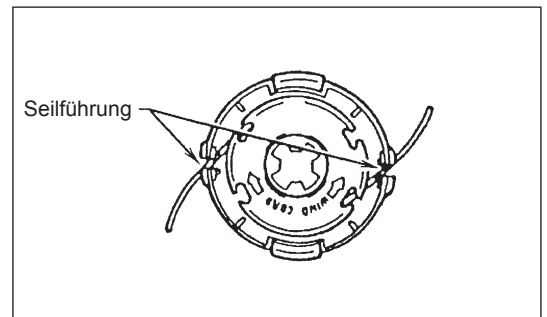
Haken Sie die Mitte des Nylonseils in die Kerbe in der Mitte der Spule ein, das eine Ende des Seils muss etwa 80 mm (3 - 1/18") länger als das andere sein. Winden Sie anschließend beide Enden fest um die Spule in Richtung der Kopfdrehung (Linksdrehung wird durch „LH“ und Rechtsdrehung durch „RH“ an der Seite der Spule gekennzeichnet).



Winden Sie etwa 100 mm (3 - 15/16") des Seils um die Spule und lassen Sie die Enden vorübergehend in der Einkerbung an der Seite der Spule eingehängt.

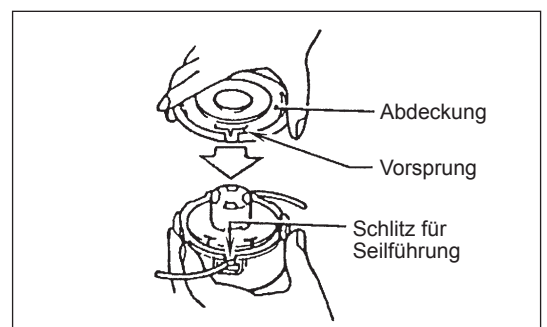


Montieren Sie die Spule in dem Gehäuse, sodass die Kerben und Vorsprünge an der Spule mit denen im Gehäuse übereinstimmen. Halten Sie die Seite mit den Buchstaben am der Spule sichtbar nach oben. Haken Sie nun die Enden des Seils aus ihrer vorübergehenden Positionen aus, und führen Sie das Seil durch die Seilführungen, sodass diese aus dem Gehäuse herausstehen.



Richten Sie den Vorsprung an der Unterseite der Abdeckung an den Schlitzen der Seilführungen aus.

Drücken Sie dann die Abdeckung fest auf das Gehäuse.

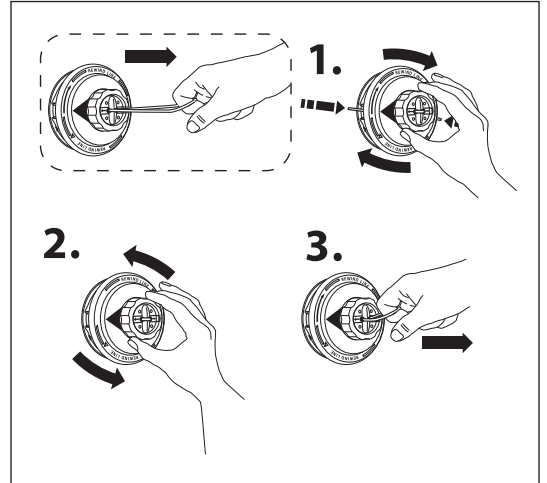


(Für Proulx)

Stoppen Sie zuerst den Motor.

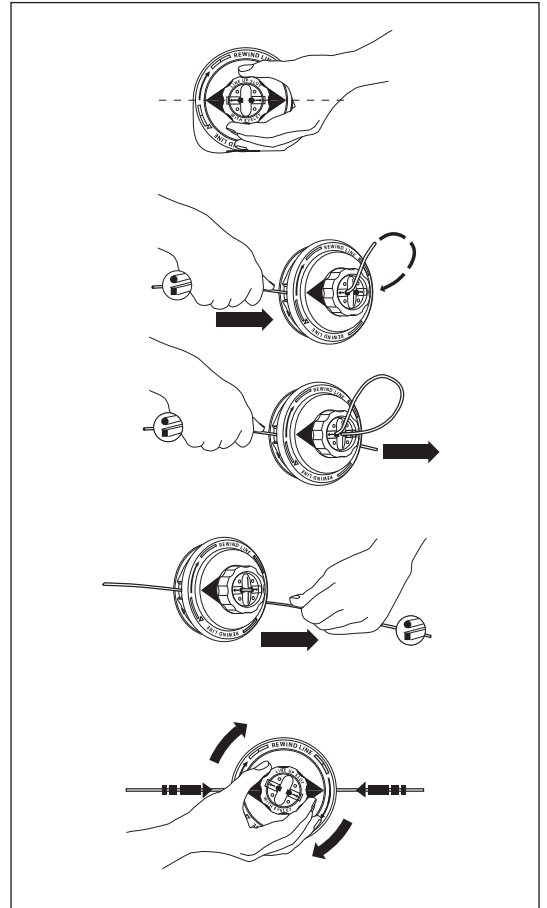
Halten Sie das Gehäuse gut fest und drehen Sie die Spule im Uhrzeigersinn, bis der vorhandene Rest des Nylonfadens ganz in das Gehäuse zurückgezogen ist. Drehen Sie die Spule vor und zurück, um den Zug vom Faden zu nehmen.

Ergreifen Sie die Schlaufe an der Oberseite der Spule und ziehen Sie sie von der Spule.



Legen Sie einen Nylonfaden mit nachfolgenden Spezifikationen bereit.
Länge 4,5 m
Runder Faden, Durchmesser 2,4 mm, oder quadratischer Faden, Diagonale 2,0 mm. Richten Sie die Pfeile auf der Spule an den Ösen auf dem Gehäuse aus.

Führen Sie ein Ende des Nylonfadens durch die Öse auf der Seite des Gehäuses, fädeln Sie den Faden dann durch eines der Löcher auf der Oberseite der Spule und führen Sie ihn anschließend durch das zweite Loch auf der Oberseite der Spule. Schieben Sie den Nylonfaden weiter in die Löcher, bis der Faden durch beide Ösen an der Seite des Gehäuses läuft.



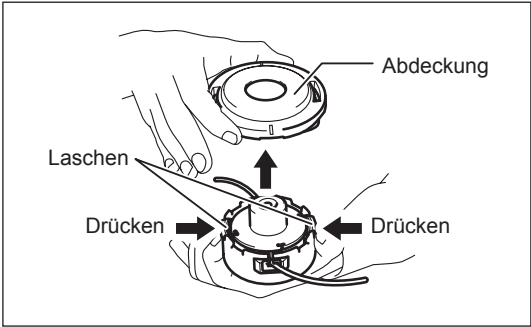
Schieben Sie den Nylonfaden weiter in die Löcher und führen Sie ihn durch die Ösen an der Seite des Gehäuses, bis der Faden auf beiden Seiten gleich lang ist.

Halten Sie das Gehäuse gut fest und drehen Sie die Spule im Uhrzeigersinn, um den Nylonfaden auf die Spule zu wickeln.

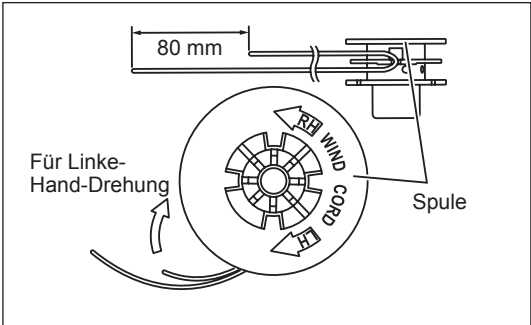
(Für B&F4 / Z5)

WARNUNG: Vergewissern Sie sich, dass die Abdeckung des Nylon-Schneidkopfes ordnungsgemäß auf dem Gehäuse gesichert ist (siehe folgende Beschreibung). Bei unsachgemäß gesicherter Abdeckung kann der Nylon-Schneidkopf auseinanderfliegen und schwere Verletzungen verursachen.

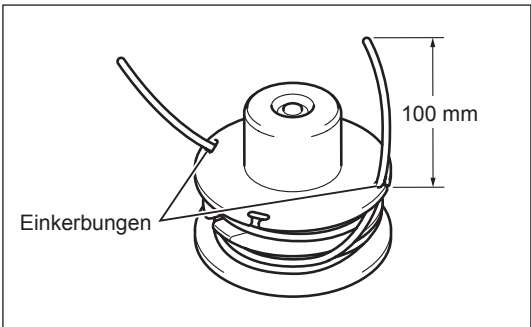
Drücken Sie die Laschen am Gehäuse und ziehen Sie die Abdeckung nach oben ab.
Entfernen Sie die noch vorhandenen Reste des Nylonfadens.



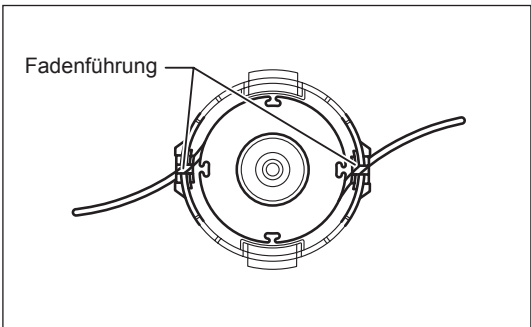
Haken Sie die Mitte des neuen Nylonfadens in die Einkerbung in der Mitte der Spule zwischen den 2 Kanälen für den Nylonfaden ein. Eine Seite des Fadens muss ca. 80 mm länger sein als das andere Ende.
Wickeln Sie beide Enden fest und in Richtung Linksdrehung (markiert durch „LH“ auf dem Spulenkopf) um die Spule.



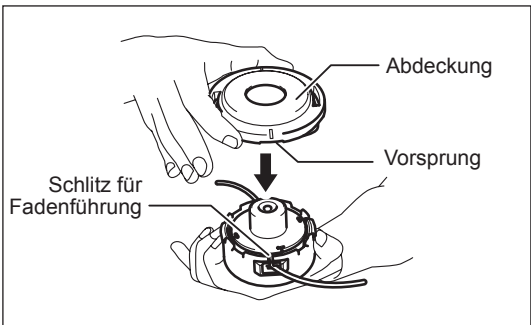
Wickeln Sie etwa 100 mm des Fadens um die Spule und lassen Sie die Enden vorübergehend in der Einkerbung an der Seite der Spule eingehängt.



Montieren Sie die Spule in das Gehäuse, sodass die Kerben und Vorsprünge an der Spule mit denen im Gehäuse übereinstimmen. Die Seite mit den Buchstaben der Spule muss nach oben zeigen, sodass die Buchstaben sichtbar sind. Haken Sie nun die Enden des Fadens aus ihrer vorübergehenden Positionen aus, und führen Sie den Faden durch die Fadenführungen, sodass die Fäden aus dem Gehäuse herausragen.

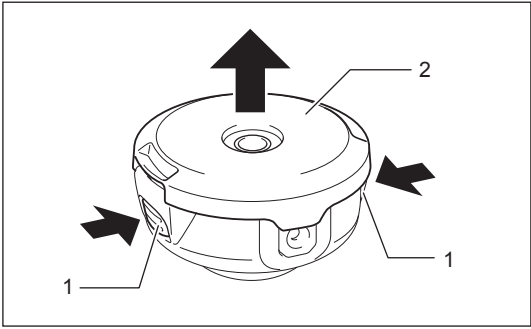


Richten Sie den Vorsprung an der Unterseite der Abdeckung an den Schlitzen der Fadenführungen aus.
Drücken Sie dann die Abdeckung fest auf das Gehäuse. Vergewissern Sie sich, dass die Laschen richtig in der Abdeckung sitzen.

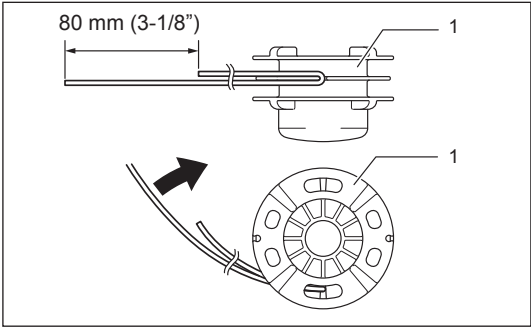


(Für „Bump & Feed“-Nachführung)

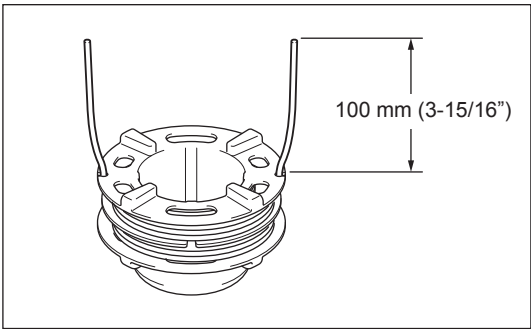
Stoppen Sie zuerst den Motor.
Drücken Sie die Laschen am Gehäuse (1) nach innen, um die Abdeckung (2) abzunehmen, entnehmen Sie anschließend die Spule.



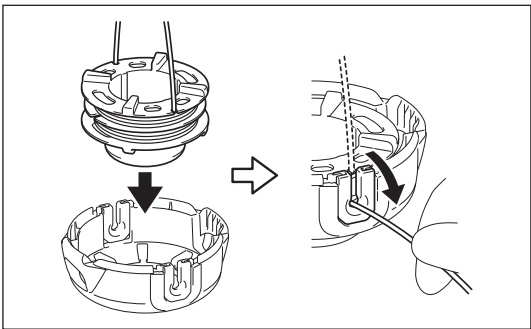
Haken Sie die Mitte des Nylonfadens in die Kerbe in der Mitte der Spule (1) ein, das eine Ende des Fadens muss dabei etwa 80 mm länger als das andere sein. Winden Sie anschließend beide Enden fest um die Spule in Richtung der Kopfdrehung (Linksdrehung wird durch „LH“ an der Seite der Spule gekennzeichnet).



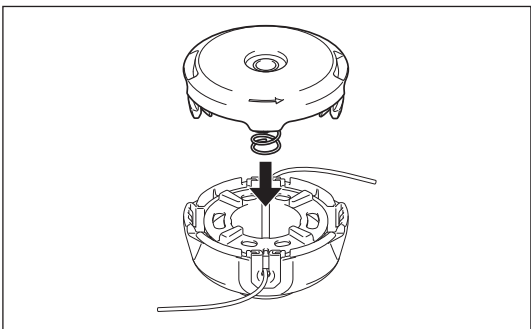
Winden Sie etwa 100 mm des Fadens um die Spule und lassen Sie die Enden vorübergehend in der Einkerbung an der Seite der Spule eingehängt.



Setzen Sie die Spule in das Gehäuse, sodass die Kerben und Vorsprünge an der Spule mit denen im Gehäuse übereinstimmen. Die Spulenseite mit den Buchstaben muss nach oben zeigen, sodass die Buchstaben sichtbar sind. Haken Sie nun die Enden des Fadens aus ihrer vorübergehenden Positionen aus, und führen Sie den Faden durch die Ösen, sodass die Fäden aus dem Gehäuse herausragen.



Richten Sie den Vorsprung an der Unterseite der Abdeckung an den Schlitten der Ösen aus.
Drücken Sie dann die Abdeckung fest auf das Gehäuse, um sie zu sichern.



LAGERUNG

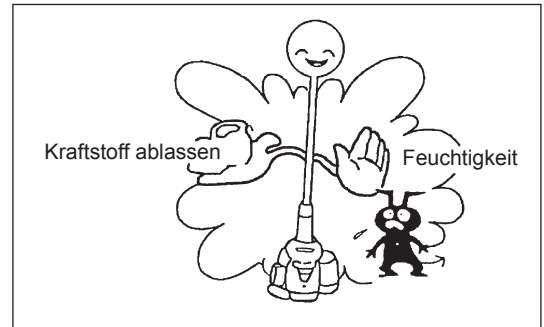


WARNUNG: Stellen Sie vor dem Ableiten des Kraftstoffs sicher, dass der Motor gestoppt ist und prüfen Sie, dass sich der Motor abgekühlt hat. Unmittelbar nach dem Stoppen des Motors ist dieser heiß und es besteht Verbrennungs-, Entzündungs- und Feuergefahr.



ACHTUNG: Wenn das Werkzeug für längere Zeit nicht betrieben wird, lassen Sie den gesamten Kraftstoff aus dem Tank und dem Vergaser ab, und lagern Sie das Werkzeug an einem trockenen und sauberen Ort.

- Gehen Sie zum Ablassen des Kraftstoffs aus dem Tank wie folgt vor:
 - 1) Entfernen Sie den Kraftstoff-Tankdeckel und lassen Sie den Kraftstoff vollständig ab. Entfernen Sie ggf. im Kraftstofftank zurückbleibende Fremdkörper.
 - 2) Ziehen Sie den Kraftstofffilter mit einem Draht aus dem Nachfüllstutzen.
 - 3) Drücken Sie die Ansaugpumpe, bis der Kraftstoff von hier abgeleitet wurde und leiten Sie den Kraftstoff in den Kraftstofftank ab.
 - 4) Setzen Sie den Filter wieder in den Kraftstofftank ein und ziehen Sie den Tankdeckel sicher fest.
 - 5) Betreiben Sie das Werkzeug weiter bis es stoppt.
- Entfernen Sie die Zündkerze und geben Sie einige wenige Tropfen Öl in die Zündkerzenöffnung.
- Ziehen Sie anschließend den Startergriff leicht, sodass das Öl die Innenseite des Motors bedeckt und ziehen Sie dann die Zündkerze fest.
- Bringen Sie die Abdeckung an der Schneidklinge an.
- Lagern Sie das Gerät grundsätzlich in waagerechter Position oder mit der Motoreinheit nach unten zeigend. Andernfalls kann enthaltenes Motoröl auslaufen. Achten Sie dabei auf einen sicheren Stand des Gerätes, um ein Umfallen und damit Verletzungen und Beschädigungen an Mensch oder Maschine zu vermeiden.
- Bewahren Sie den abgelassenen Kraftstoff in einen speziellen Container an einem gut belüfteten und schattigen Platz auf.



Achtung nach einer längeren Lagerung

- Tauschen Sie nach einer längeren Lagerung vor dem Start des Motors das Öl aus (siehe S. 75). Öl zersetzt sich, auch wenn das Werkzeug nicht verwendet wird.

Fehlerposition

Fehler	System	Beobachtung	Grund
Motor startet nicht oder mit Schwierigkeiten	Zündungssystem	Zündfunken OK	Fehler der Kraftstoffversorgung oder des Verdichtungssystems, mechanischer Defekt
		Kein Zündfunken	STOPP-Schalter bedient, Verdrahtung fehlerhaft oder kurzgeschlossen, Zündkerze oder Zündkerzenstecker defekt, Zündmodul fehlerhaft
	Kraftstoffversorgung	Kraftstofftank gefüllt	Falsche Choke-Position, Vergaser defekt, Kraftstoff-Zufuhrleitung verbogen oder blockiert, Kraftstoff verschmutzt
	Verdichtung	Keine Verdichtung beim Überziehen	Zylinderkopfdichtung defektiv, Kurbelwellendichtungen beschädigt, Zylinder oder Kolbenringe defekt oder ungeeignete Dichtung der Zündkerze
Warmstartprobleme	Mechanischer Fehler	Starter schaltet nicht ein	Gebrochene Starterfeder, gebrochenen Teile innerhalb des Motors
		Tank gefüllt, Zündfunken vorhanden	Vergaser verschmutzt, wurde gereinigt
Motor startet, geht jedoch aus	Kraftstoffversorgung	Tank gefüllt	Fehlerhafte LeerlaufEinstellung, Vergaser verschmutzt
Unzureichende Leistung	Möglicherweise werden verschiedene Systeme gleichzeitig beeinflusst	Motorleerlauf zu gering	Kraftstoff-Tankventil defekt, Kraftstoff-Zufuhrleitung unterbrochen, Kabel oder I/O-Schalter defekt
			Luftfilter verschmutzt, Vergaser verschmutzt, Schalldämpfer verstopft, Abluftkanal im Zylinder verstopft

Position	Betriebszeit								Siehe Seite
		Vor Betrieb	Nach Schmierung	Taglich (10 h)	30 h	50 h	200 h	Abschalten/ Lagerung	
Motorenol	Inspizieren	○							70
	Austauschen					○*1			75
Festziehen von Teilen (Schraube, Mutter)	Inspizieren	○							78
Kraftstofftank	Reinigen/ Inspizieren	○							—
	Kraftstoff ablassen							○*3	83
Gashebel	Funktion uberprufen		○						—
Stoppschalter	Funktion uberprufen		○						74
Schneidklinge	Inspizieren	○		○					67
Niederdrehzahl	Inspizieren/ Einstellen			○					74
Luftreiniger	Reinigen			○					77
Zundkerze	Inspizieren			○					77
Kuhlluftkanal	Reinigen/ Inspizieren			○					78
Kraftstoffleitung	Inspizieren			○					78
	Austauschen						⊙*2		—
Getriebegehause-Schmierung	Nachfullen				○				77
Kraftstofffilter	Reinigen/ Ersetzen					○			78
Abstand zwischen Lufteinlassventil und Luftauslassventil	Einstellen						⊙*2		—
Motoruberholung							⊙*2		—
Vergaser	Kraftstoff ablassen							○*3	83

*1 Fuhren Sie einen ersten Wechsel nach 20 Betriebsstunden durch.

*2 Wenden Sie sich fur eine Inspektion nach 200 Betriebsstunden an ein autorisiertes Servicezentrum oder Werkzeuggeschaft.

*3 Setzen Sie nach dem Leeren des Kraftstofftanks den Betrieb des Motors fort und leiten Sie den Kraftstoff in den Vergaser ab.

FEHLERSUCHE

Überprüfen Sie ein Problem selbst, bevor Sie eine Reparatur anfordern. Falls eine Abnormalität auftritt, regeln Sie das Werkzeug anhand der Beschreibung in diesem Handbuch. Missbrauchen Sie das Werkzeug nicht und demontieren Sie keine Teile entgegen der Beschreibung. Wenden Sie sich für Reparaturen an ein autorisiertes Servicezentrum oder einen Vertreter vor Ort.

Abnormalitätsstatus	Mögliche Ursache (Fehlfunktion)	Abhilfe
Motor startet nicht	Ausfall des Betriebs der Ansaugpumpe	Drücken Sie 7 bis 10 mal
	Niedrige Ziehgeschwindigkeit des Starterseils	Ziehen Sie kräftig
	Kraftstoffmangel	Führen Sie Kraftstoff zu
	Verstopfter Kraftstofffilter	Reinigen
	Verbogene Kraftstoffleitung	Kraftstoffleitung begradigen
	Zersetzter Kraftstoff	Zersetzter Kraftstoff erschwert das Starten. Ersetzen Sie diesen durch neuen. (Empfohlenes Austauschintervall: 1 Monat)
	Übermäßige Kraftstoffansaugung	Stellen Sie den Gashebel von mittlerer Drehzahl auf hohe Drehzahl ein und ziehen Sie den Startergriff, bis der Motor startet. Nach dem Start des Motors beginnt sich die Schneidklinge zu drehen. Achten Sie auf die Schneidklinge. Falls der Motor nicht startet, entfernen Sie die Zündkerze, trocknen Sie die Elektrode ab und montieren Sie sie wieder wie vorher. Starten Sie wie angegeben.
	Entfernen des Zündkerzensteckers	Fest Anbringen
	Verschmutzter Zündkerzenstecker	Reinigen
	Abnormaler Abstand des Zündkerzensteckers	Einstellen des Abstandes
	Andere Abnormalität des Zündkerzensteckers	Austauschen
	Abnormaler Vergaser	Fordern Sie eine Inspektion und Wartung an.
	Starterseil kann nicht gezogen werden	Fordern Sie eine Inspektion und Wartung an.
	Abnormales Antriebssystem	Fordern Sie eine Inspektion und Wartung an.
Motor stoppt gleich Motordrehzahl erhöht sich nicht	Unzureichendes Aufwärmen	Führen Sie einen Aufwärmbetrieb durch
	Choke-Hebel ist auf GESCHLOSSEN eingestellt, obwohl der Motor vorgewärmt wurde.	Einstellen auf OFFEN
	Verstopfter Kraftstofffilter	Reinigen oder Ersetzen
	Verschmutzter oder verstopfter Luftreiniger	Reinigen
	Abnormaler Vergaser	Fordern Sie eine Inspektion und Wartung an.
	Abnormales Antriebssystem	Fordern Sie eine Inspektion und Wartung an.
Schneidklinge dreht sich nicht ↓ Motor stoppt sofort	Gelöste Schneidklinge > Festziehen der Mutter	Festziehen
	Zweige verfangen sich in der Schneidklinge oder der Schutzabdeckung.	Entfernen der Fremdkörper
	Abnormales Antriebssystem	Fordern Sie eine Inspektion und Wartung an.
Hauptblock vibriert abnormal ↓ Motor stoppt sofort	Gebrochene, verbogene oder abgenutzte Schneidklinge	Austauschen der Schneidklinge
	Gelöste Schneidklinge > Festziehen der Mutter	Festziehen
	Verschobenes Konvexelement der Schneidklinge und der Stützmontage.	Fest Anbringen
	Abnormales Antriebssystem	Fordern Sie eine Inspektion und Wartung an.
Schneidklinge stoppt nicht sofort ↓ Motor stoppt sofort	Hohe Leerlaufdrehzahl	Einstellen
	Abgetrenntes Gaskabel	Fest Anbringen
	Abnormales Antriebssystem	Fordern Sie eine Inspektion und Wartung an.
Motor stoppt nicht ↓ Betreiben des Motors im Leerlauf und Einstellen des Choke-Hebels auf GESCHLOSSEN	Abgetrennter Stecker	Fest Anbringen
	Abnormales Elektriksystem	Fordern Sie eine Inspektion und Wartung an.

Wenn der Motor nach dem Aufwärmen nicht startet:

Falls bei den Überprüfungselementen eine Abnormalität auftritt, öffnen Sie den Gashebel um 1/3 und starten Sie den Motor.

Grazie per avere acquistato questo decespugliatore a benzina MAKITA. Siamo lieti di consigliare il decespugliatore a benzina MAKITA, risultato di un lungo programma di sviluppo e di molti anni di esperienza e conoscenza. Leggere il presente opuscolo che contiene riferimenti dettagliati ai diversi elementi che ne dimostreranno le eccellenti prestazioni. In questo modo sarà possibile ottenere i migliori risultati dal decespugliatore a benzina MAKITA.



Sommario	Pagina
Simboli.....	86
Istruzioni di sicurezza.....	87
Dati tecnici.....	91
Designazione delle parti.....	93
Montaggio dell'impugnatura.....	94
Montaggio della protezione.....	95
Montaggio della lama da taglio/testina di taglio in nylon.....	96
Prima della messa in funzione.....	98
Utilizzo corretto dell'utensile.....	100
Funzionamento e arresto.....	101
Istruzioni di manutenzione.....	103
Conservazione.....	111

SIMBOLI

Leggendo il presente manuale di istruzioni occorre prestare attenzione ai seguenti simboli.

	Leggere il manuale di istruzioni attenendosi alle avvertenze e alle precauzioni di sicurezza.		Allontanare persone e animali dall'area di lavoro.
	Prestare particolare cura e attenzione.		Indossare l'elmetto protettivo e le protezioni per occhi e orecchie.
	Proibito.		Velocità massima ammissibile dell'utensile
	Mantenere la distanza di sicurezza.		Carburante (benzina)
	Pericolo di oggetti volanti.		Avviamento manuale del motore
	Vietato fumare.		Arresto di emergenza
	Non usare fiamme libere.		Pronto soccorso
	Indossare i guanti di protezione.		ON/START
	Indossare calzature pesanti con suola antiscivolo. Si consigliano scarpe di sicurezza con puntale in metallo.		OFF/STOP
	Contraccolpo.		

ISTRUZIONI DI SICUREZZA

Istruzioni generali

- Leggere il presente manuale di istruzioni per acquisire familiarità con l'utensile. Eventuali lacune possono favorire un uso improprio dell'utensile, mettendo in pericolo l'operatore e altre persone.
- Si consiglia di concedere in prestito l'utensile solo a persone con provata esperienza. Consegnare sempre anche il manuale di istruzioni.
- Gli operatori alle prime armi dovrebbero richiedere le istruzioni di base al rivenditore per acquisire dimestichezza con un decespugliatore.
- L'uso del prodotto non deve essere consentito ai bambini o comunque a persone di età inferiore ai 18 anni. Le persone al di sopra dei 16 anni possono tuttavia utilizzare il dispositivo per fare pratica, sempre sotto la supervisione di un istruttore qualificato.
- Utilizzare con la massima cura e attenzione.
- Utilizzare solo se si è in buone condizioni fisiche. Eseguire il lavoro con calma e attenzione. L'operatore si assume la responsabilità anche delle altre persone.
- Non utilizzare il decespugliatore dopo l'assunzione di alcol o droghe oppure se ci si sente stanchi o indisposti.
- L'uso dell'utensile può essere sottoposto a restrizioni dalla regolamentazione nazionale.

Uso previsto dell'utensile

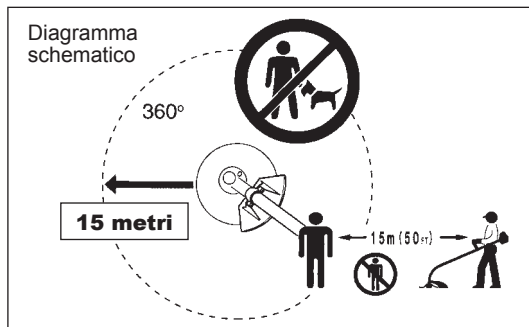
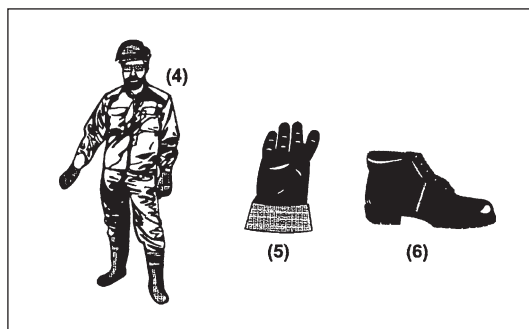
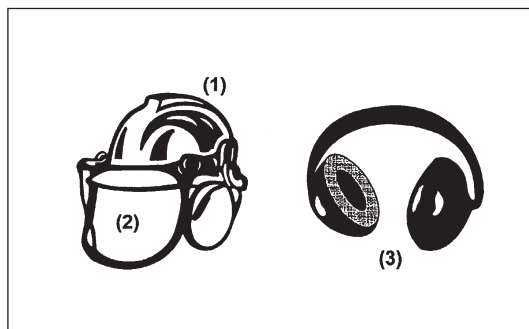
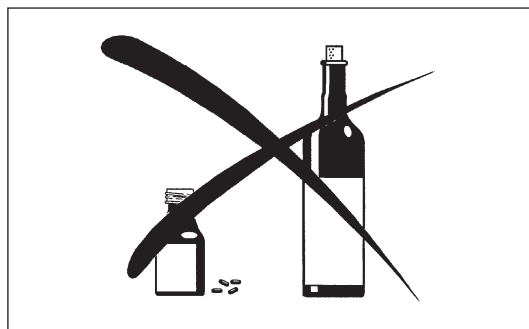
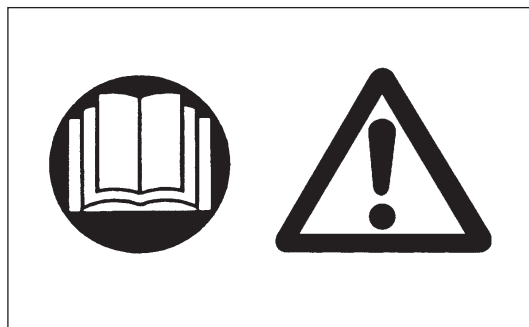
- L'utensile è destinato esclusivamente al taglio di erba, erbacce, cespugli e sottobosco. Non deve essere usato per qualunque altro scopo, come la bordatura o la potatura di siepi; in caso contrario, possono verificarsi lesioni.

Dispositivi di protezione personale

- L'abbigliamento indossato deve essere funzionale e adeguato, ovvero aderente ma senza causare impedimenti. Non indossare gioielli o abiti che potrebbero rimanere impigliati in cespugli o arbusti.
- Per evitare lesioni a testa, occhi, mani o piedi e per proteggere l'udito è indispensabile indossare i seguenti dispositivi e indumenti di protezione durante l'uso.
- Indossare sempre un casco se vi è il rischio di caduta di oggetti. Il casco di protezione (1) deve essere controllato periodicamente per verificare la presenza di eventuali danni e deve essere sostituito almeno ogni 5 anni. Utilizzare solo caschi di protezione omologati.
- La visiera (2) del casco (o gli occhiali di protezione) protegge il volto da detriti e sassi volanti. Per evitare danni alla vista è fondamentale indossare sempre gli occhiali di protezione o una visiera durante l'uso.
- Indossare dispositivi di protezione acustica adeguati per evitare danni all'udito (cuffie isolanti (3), tappi per le orecchie e così via).
- La tuta da lavoro integrale (4) protegge da pietre e detriti volanti. Si consiglia vivamente di indossare una tuta da lavoro integrale.
- I guanti (5) sono parte dell'equipaggiamento prescritto e devono sempre essere indossati durante l'uso.
- Durante l'uso del prodotto, indossare sempre calzature pesanti (6) con suola antiscivolo per prevenire gli infortuni e garantire una corretta stabilità.

Avvio del decespugliatore

- Assicurarsi che non vi siano bambini o altre persone in un raggio di 15 m dall'area di lavoro; prestare inoltre attenzione alla presenza di animali.
- Prima dell'uso verificare sempre che l'utensile non presenti fattori di rischio per il lavoro:
Verificare la sicurezza dell'utensile da taglio, il facile azionamento della leva dell'acceleratore e il corretto funzionamento della sicura.
- L'utensile da taglio non deve ruotare quando il motore è al minimo. In caso di dubbi, rivolgersi al rivenditore per la regolazione. Controllare che le impugnature siano pulite e asciutte e verificare la funzionalità dell'interruttore di avviamento e arresto.

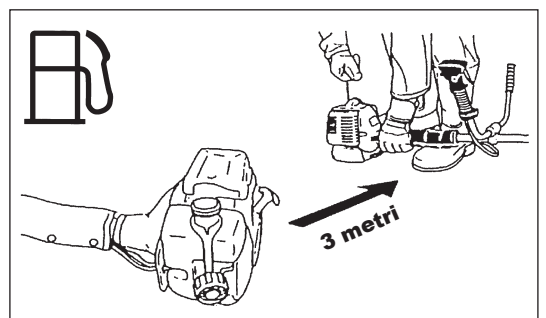
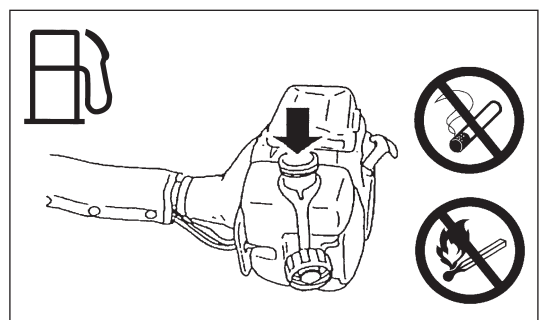
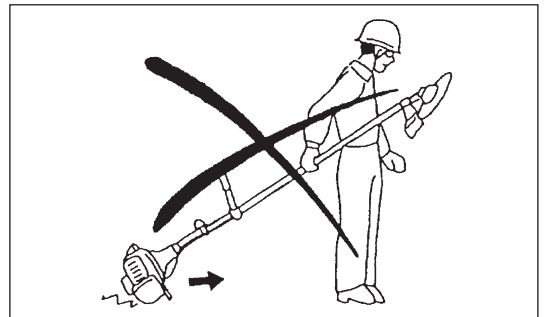
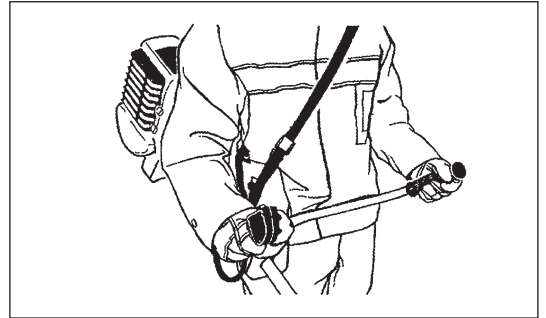
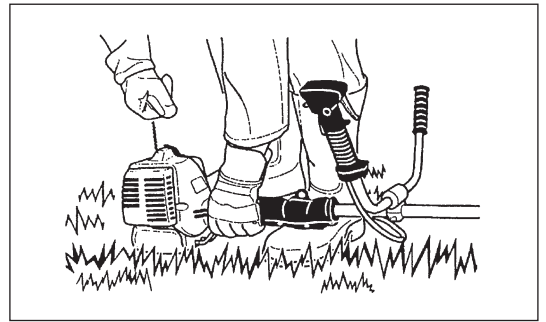


Avviare il decespugliatore solo in base alla procedura riportata nelle istruzioni.

- Non avviare il motore con altri sistemi.
- Utilizzare il decespugliatore e gli utensili solo per le operazioni specificate.
- Avviare il motore solo quando l'utensile è stato completamente montato. Il funzionamento del dispositivo è consentito solo dopo il montaggio di tutti gli accessori appropriati.
- Prima dell'avviamento assicurarsi che l'utensile da taglio non sia a contatto con oggetti rigidi come rami, pietre e così via, poiché all'avvio l'utensile inizierà a ruotare.
- Se il motore presenta un problema, spegnerlo immediatamente.
- Nel caso in cui l'utensile da taglio colpisca pietre o altri oggetti rigidi, è necessario spegnere immediatamente il motore e ispezionare l'utensile.
- Controllare l'utensile da taglio a intervalli regolari per verificare la presenza di danni (rilevare eventuali crepe picchiando delicatamente).
- Se l'utensile cade o subisce un impatto violento, verificarne le condizioni prima di proseguire il lavoro. Verificare che l'impianto di alimentazione del carburante sia privo di perdite e che i dispositivi di sicurezza funzionino correttamente. In caso di danni o dubbi, richiedere l'ispezione e la riparazione presso il nostro centro di assistenza autorizzato.
- Prima di utilizzare il decespugliatore, indossare sempre la cintura a spalla agganciata all'utensile, regolandola in maniera adeguata. È fondamentale regolare la cintura a spalla in base alla corporatura dell'operatore per prevenire l'affaticamento durante l'uso. Non tenere il decespugliatore con una mano sola durante l'uso.
- Reggere sempre il decespugliatore con entrambe le mani durante l'uso. Assicurarsi sempre di avere una buona presa a terra.
- Utilizzare il prodotto in modo tale da evitare l'inalazione dei gas di scarico. Non azionare il motore in ambienti chiusi (pericolo di avvelenamento da gas). Il monossido di carbonio è un gas inodore.
- Spegnerlo durante le pause o quando si lascia incustodito l'utensile, riponendolo in un luogo sicuro per impedire lesioni ad altre persone o danni all'utensile.
- Non appoggiare il decespugliatore surriscaldato nell'erba secca o su materiali infiammabili.
- Installare sempre la guardia dell'utensile da taglio approvata sull'utensile stesso prima di avviare il motore. In caso contrario, il contatto con l'utensile da taglio può provocare gravi lesioni personali.
- Utilizzare tutti i dispositivi di protezione in dotazione con il prodotto durante l'uso.
- Non avviare il motore se la marmitta di scarico è difettosa.
- Spegnerlo durante il trasporto.
- Durante il trasporto dell'utensile, applicare sempre il coperchio alla lama da taglio.
- Verificare che l'utensile rimanga in una posizione sicura durante il trasporto in auto, onde evitare perdite di carburante.
- Durante il trasporto, assicurarsi che il serbatoio del carburante sia completamente vuoto.
- Durante lo scarico dell'utensile da un autocarro, non far cadere a terra il motore onde evitare gravi danni al serbatoio del carburante.
- Tranne che in caso di emergenza, non far cadere o gettare l'utensile a terra onde evitare di danneggiare gravemente l'utensile stesso.
- Per spostare l'utensile è necessario sollevarlo sempre completamente da terra. Il trascinarsi del serbatoio è molto pericoloso e può causare danni o perdite di carburante, con conseguente pericolo di incendio.

Rifornimento

- Durante il rifornimento spegnere il motore, tenersi lontani da fiamme libere e non fumare.
- Evitare il contatto epidermico con prodotti a base di oli minerali. Non inalare i vapori del carburante. Durante il rifornimento indossare sempre i guanti di protezione. Sostituire e pulire regolarmente gli indumenti di protezione.
- Prestare attenzione a non lasciar fuoriuscire il carburante o l'olio onde evitare la contaminazione del terreno (protezione dell'ambiente). Pulire il decespugliatore subito dopo una fuoriuscita di carburante.
- Evitare il contatto del carburante con i capi di vestiario. Cambiarsi immediatamente in caso di contatto con il carburante (per evitare che gli abiti prendano fuoco).
- Controllare regolarmente il tappo del serbatoio del carburante per assicurarsi che sia stretto correttamente e che non presenti perdite.
- Stringere con cura il tappo del serbatoio del carburante. Cambiare luogo per avviare il motore (almeno 3 metri dal punto di rifornimento).
- Non effettuare il rifornimento in ambienti chiusi. I vapori del carburante si accumulano a livello del terreno (pericolo di esplosioni).
- Trasportare e conservare il carburante solo in contenitori omologati. Assicurarsi di riporre il carburante in un punto non accessibile ai bambini.



Modalità di funzionamento

- Utilizzare il prodotto solo in buone condizioni di luce e visibilità. Durante la stagione invernale prestare attenzione alle aree scivolose o umide, al ghiaccio e alla neve (pericolo di scivolamento). Assicurarsi sempre di avere una buona presa a terra.
- Non eseguire tagli a un'altezza superiore a quella della vita.
- Non utilizzare il prodotto da una scala.
- Non arrampicarsi sugli alberi per eseguire operazioni di taglio.
- Non lavorare su superfici instabili.
- Rimuovere sabbia, pietre, chiodi, ecc. dall'area di lavoro. I corpi estranei potrebbero danneggiare l'utensile da taglio e causare pericolosi contraccolpi.
- Prima di iniziare il taglio, è necessario che l'utensile abbia raggiunto la piena velocità operativa.
- Quando si utilizzano lame in metallo, muovere delicatamente l'utensile in semicerchi da destra verso sinistra, come se fosse una falce. Se erba o sterpaglie restano impigliate tra l'utensile da taglio e la guardia, arrestare sempre il motore prima di effettuare la pulizia. In caso contrario, una rotazione involontaria della lama può causare gravi lesioni personali.
- Riposarsi spesso per evitare la perdita di controllo causata dall'affaticamento. Si consiglia di fare una pausa di 10-20 minuti ogni ora.

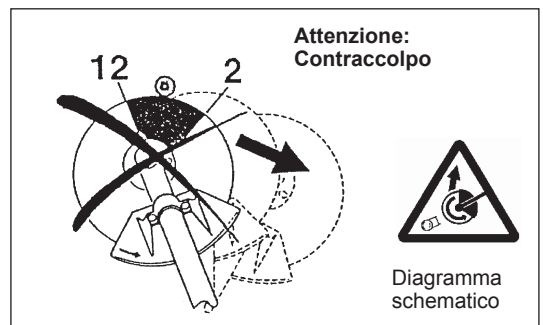


Utensili da taglio

- Servirsi dell'utensile da taglio idoneo per il lavoro da compiere. Le testine da taglio in nylon (testine del decespugliatore) sono indicate per tagliare l'erba del prato. Le lame in metallo sono indicate per il taglio di erbacce, erba alta, cespugli, arbusti, sottobosco, fratte, e simili. Non utilizzare altri tipi di lama, comprese catene metalliche componibili con perno e lame con flagelli. In caso contrario potrebbero verificarsi gravi infortuni.
- Durante l'utilizzo di lame in metallo, evitare "contraccolpi" e prepararsi ad un eventuale contraccolpo accidentale. Vedere la sezione "Contraccolpo" e "Prevenzione dei contraccolpi."

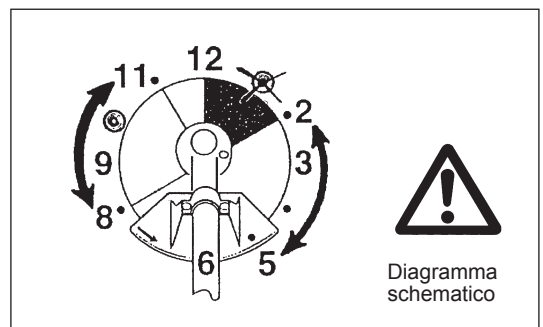
Contraccolpo (colpo di lama)

- Il contraccolpo (colpo di lama) è una reazione improvvisa a una lama da taglio incastrata o bloccata. Al verificarsi di tale reazione, l'utensile viene deviato con forza di lato o contro l'operatore. Ciò potrebbe causare gravi lesioni.
- In particolare, il contraccolpo si verifica durante l'applicazione di un segmento di lama compreso tra le ore 12 - 2 a oggetti solidi, cespugli e alberi con un diametro di 3 cm o superiore.
- Per evitare contraccolpi:
 - Applicare il segmento tra le ore 8 - 11;
 - Non applicare il segmento tra le ore 12 - 2;
 - Non applicare il segmento tra le ore 11 - 12 e tra le ore 2 - 5, a meno che l'operatore sia esperto e ben addestrato e lo faccia a proprio rischio e pericolo;
 - Non utilizzare le lame da taglio vicino a oggetti solidi come recinzioni, muri, tronchi e pietre;
 - Non utilizzare le lame da taglio verticalmente, per operazioni come bordatura e taglio di siepi.



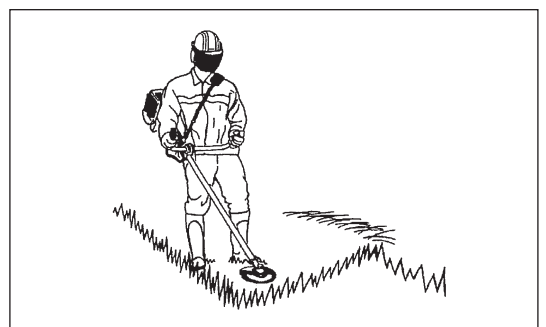
Vibrazione

- Se esposti a vibrazioni eccessive, gli operatori che soffrono di insufficienza venosa possono riportare danni ai vasi sanguigni o al sistema nervoso. Le vibrazioni possono causare i seguenti sintomi alle dita, alle mani o ai polsi: sonnolenza (torpore), formicolio, dolore, fitte acute, alterazione della pelle o del colorito. Consultare un medico non appena si manifestano tali sintomi.
- Per ridurre il rischio di "sindrome delle dita bianche da vibrazione", tenere le mani al caldo durante l'uso dell'utensile e mantenere l'utensile e gli accessori in buone condizioni.



Istruzioni per la manutenzione

- Per l'assistenza, rivolgersi al nostro centro servizi autorizzato utilizzando solo parti di ricambio originali. Una riparazione errata o una manutenzione insufficiente possono accorciare la vita utile dell'utensile, aumentando il rischio di incidenti.
- Prima di iniziare il lavoro, verificare le condizioni del dispositivo, in particolare dell'utensile da taglio, dei dispositivi di protezione e della cintura a spalla. Prestare particolare attenzione alle lame da taglio, che dovranno essere adeguatamente affilate.
- Spegnerne il motore e staccare il connettore della candela per sostituire, affilare o pulire gli utensili da taglio.



Non raddrizzare né saldare gli utensili da taglio danneggiati.

- Prestare attenzione all'ambiente. Evitare di azionare inutilmente l'acceleratore al fine di ridurre l'inquinamento e le emissioni acustiche. Regolare correttamente il carburatore.
- Pulire regolarmente l'utensile e controllare che tutte le viti e i dadi siano correttamente serrati.
- Non eseguire la manutenzione e non conservare l'utensile in prossimità di fiamme libere.
- Conservare sempre l'utensile in ambienti chiusi a chiave e con il serbatoio del carburante svuotato.
- Durante la pulizia, il funzionamento e lo stoccaggio dell'utensile, applicare sempre il coperchio alla lama da taglio.



Rispettare le istruzioni di prevenzione degli incidenti fornite dalle associazioni di categoria e dalle compagnie di assicurazioni. Non apportare modifiche all'utensile onde evitare di mettere a repentaglio la propria sicurezza.

Le attività di manutenzione o riparazione a carico dell'operatore sono limitate a quelle descritte nel presente manuale di istruzioni. Qualsiasi altra operazione deve essere eseguita da un rappresentante autorizzato dell'assistenza. Utilizzare esclusivamente ricambi e accessori originali rilasciati e forniti da MAKITA.

L'uso di accessori e utensili non approvati può aumentare il pericolo di incidenti.

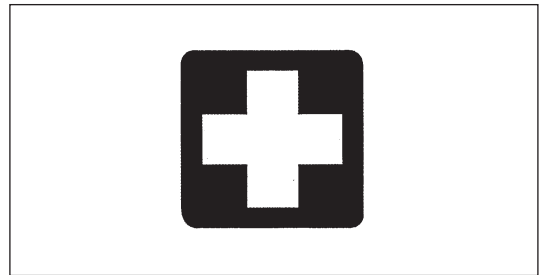
MAKITA declina ogni responsabilità per danni o incidenti causati dall'uso di utensili da taglio, dispositivi di fissaggio di utensili da taglio o accessori non approvati.

Primo soccorso

Assicurarsi che nelle vicinanze dell'area di lavoro sia disponibile una cassetta di primo soccorso, in caso di infortuni. Sostituire immediatamente qualunque oggetto prelevato dalla cassetta di primo soccorso.

Nel momento in cui si richiede assistenza, fornire le seguenti informazioni:

- Luogo dell'incidente
- Che cosa è accaduto
- Numero delle persone ferite
- Tipo di ferite
- Nome e cognome



Solo per i paesi europei

Dichiarazione di conformità CE

La dichiarazione di conformità CE è inclusa nell'Allegato A di questo manuale di istruzioni.

DATI TECNICI

Modello		EM2650UH	EM2650UHN	EM2650LH	EM2650LHN	
Tipo di impugnatura		Impugnatura a manubrio		Impugnatura ad anello		
Dimensioni: lunghezza x larghezza x altezza (senza utensile da taglio) mm		1.765 x 620 x 474		1.765 x 330 x 264		
Peso (senza protezione di plastica e utensile da taglio) kg		5,6		5,3		
Volume (serbatoio del carburante) L		0,6				
Volume (serbatoio dell'olio) L		0,08				
Cilindrata cm ³		25,4				
Massima prestazione del motore kW		0,77 a 7.000 min ⁻¹				
Velocità del motore alla massima velocità consigliata del mandrino min ⁻¹		10.000				
Velocità massima del mandrino (corrispondente) min ⁻¹		7.400				
Velocità di minimo min ⁻¹		3.000				
Velocità di impegno della frizione min ⁻¹		3.900				
Carburatore		Tipo di diaframma				
Sistema di accensione		Tipo di magnete senza contatto				
Candela tipo		NGK CMR4A				
Distanza fra gli elettrodi mm		0,7 - 0,8				
Vibrazioni secondo ISO 22867	Impugnatura destra (impugnatura posteriore)	a _{hv eq} m/s ²	3,4	—	6,5	5,0
		Variazione K m/s ²	0,6	—	2,3	1,3
	Impugnatura sinistra (impugnatura anteriore)	a _{hv eq} m/s ²	4,5	—	6,7	6,4
		Variazione K m/s ²	0,6	—	1,9	1,4
Livello medio di pressione sonora secondo ISO 22868		L _{PA eq} dBA	96,6	—	96,6	91,6
		Variazione K dBA	0,9	—	0,9	3,1
Livello medio di potenza sonora secondo ISO 22868		L _{WA eq} dBA	105,5	—	105,5	101,6
		Variazione K dBA	1,3	—	1,3	2,0
Carburante		Benzina per automobili				
Olio motore		Olio classificazione API, classe SF o superiore, oppure SAE 10W-30 (olio motore a quattro tempi per automobili)				
Utensili da taglio (diametro lama da taglio) mm		230				
Rapporto		14/19				

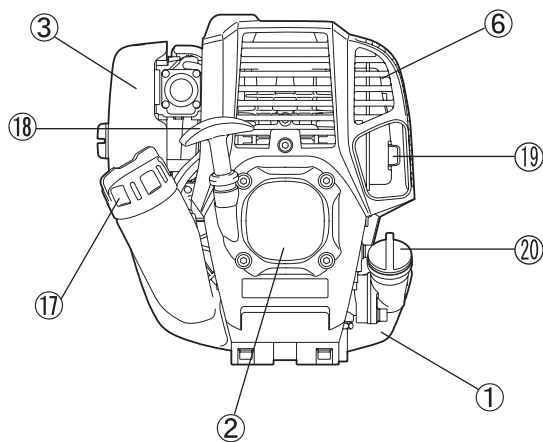
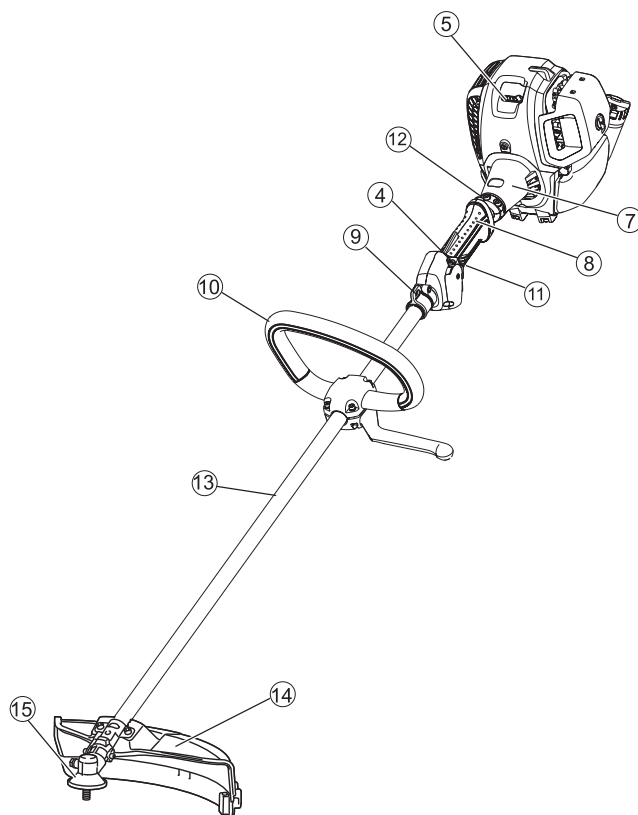
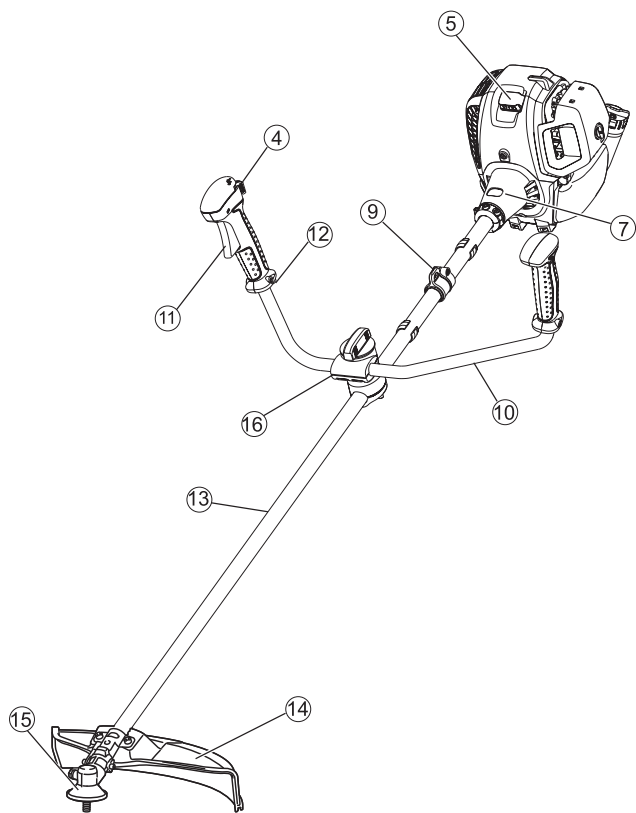
DATI TECNICI

Modello		EM2651UH	EM2651LH	
Tipo di impugnatura		Impugnatura a manubrio	Impugnatura ad anello	
Dimensioni: lunghezza x larghezza x altezza (senza utensile da taglio) mm		1.765 x 620 x 474	1.765 x 330 x 264	
Peso (senza protezione di plastica e utensile da taglio) kg		5,8	5,3	
Volume (serbatoio del carburante) L		0,6		
Volume (serbatoio dell'olio) L		0,08		
Cilindrata cm ³		25,4		
Massima prestazione del motore kW		0,77 a 7.000 min ⁻¹		
Velocità del motore alla massima velocità consigliata del mandrino min ⁻¹		10.000		
Velocità massima del mandrino (corrispondente) min ⁻¹		7.400		
Velocità di minimo min ⁻¹		3.000		
Velocità di impegno della frizione min ⁻¹		3.900		
Carburatore		Tipo di diaframma		
Sistema di accensione		Tipo di magnete senza contatto		
Candela tipo		NGK CMR4A		
Distanza fra gli elettrodi mm		0,7 - 0,8		
Vibrazioni secondo ISO 22867	Impugnatura destra (impugnatura posteriore)	a _{hv eq} m/s ²	3,3	5,7
		Variazione K m/s ²	0,8	1,2
	Impugnatura sinistra (impugnatura anteriore)	a _{hv eq} m/s ²	4,3	6,0
		Variazione K m/s ²	1,6	1,8
Livello medio di pressione sonora secondo ISO 22868		L _{PA eq} dBA	96,6	
		Variazione K dBA	0,9	
Livello medio di potenza sonora secondo ISO 22868		L _{WA eq} dBA	105,5	
		Variazione K dBA	1,3	
Carburante		Benzina per automobili		
Olio motore		Olio classificazione API, classe SF o superiore, oppure SAE 10W-30 (olio motore a quattro tempi per automobili)		
Utensili da taglio (diametro lama da taglio) mm		230		
Rapporto		14/19		

DESIGNAZIONE DELLE PARTI

**EM2650UH
EM2650UHN
EM2651UH**

**EM2650LH
EM2650LHN
EM2651LH**



I	DESIGNAZIONE DELLE PARTI
1	Serbatoio del carburante
2	Avviamento con autoavvolgente
3	Filtro dell'aria
4	Interruttore di accensione (on/off)
5	Candela
6	Tubo di scarico
7	Scatola della frizione
8	Impugnatura posteriore
9	Staffa
10	Maniglia
11	Leva di comando
12	Cavo di controllo
13	Albero
14	Protezione (guardia dell'utensile da taglio)
15	Scatola degli ingranaggi
16	Supporto impugnatura
17	Tappo serbatoio carburante
18	Manopola di avvio
19	Tubo di scarico
20	Indicatore del livello dell'olio

MONTAGGIO DELL'IMPUGNATURA

ATTENZIONE: Prima di effettuare qualunque intervento sul decespugliatore a benzina, spegnere sempre il motore e staccare il cavo di accensione dalla candela.

Indossare sempre i guanti di protezione.

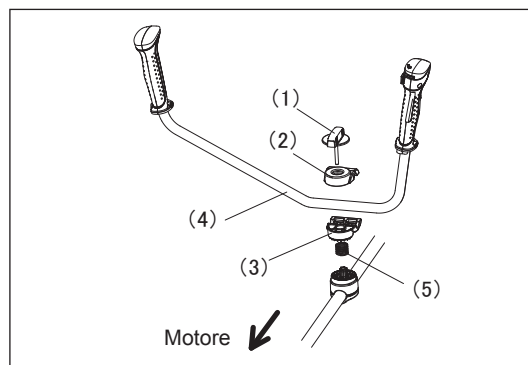
ATTENZIONE: Avviare il decespugliatore a benzina solo al termine del montaggio.



Per gli utensili con impugnatura a manubrio

- Allentare la manopola (1).
- Posizionare l'impugnatura (4) tra il relativo morsetto (2) e il supporto dell'impugnatura (3).
- Regolare l'impugnatura (4) a un'angolazione che consenta una posizione di lavoro comoda, quindi serrare correttamente la manopola a mano (1).

ATTENZIONE: Non dimenticare di montare la molla (5).

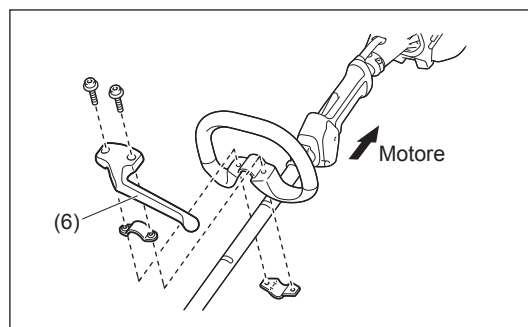
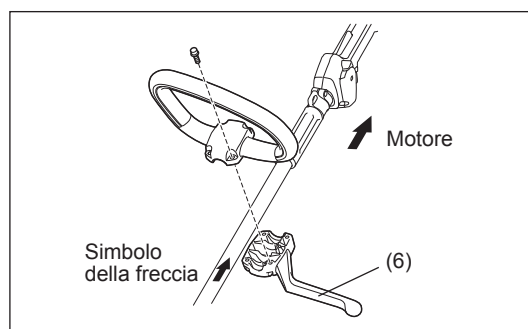


Per gli utensili con impugnatura ad anello

- Fissare una barriera (6) sul lato sinistro dell'utensile insieme all'impugnatura per proteggere l'operatore.
- Assicurarsi che l'insieme impugnatura/barriera sia inserito tra il distanziatore e il simbolo della freccia.

AVVERTENZA: Non rimuovere o accorciare il distanziatore. Il distanziatore mantiene una certa distanza tra le mani. Impostare l'insieme impugnatura/barriera vicino all'altra impugnatura oltre la lunghezza del distanziatore può provocare la perdita di controllo dell'utensile con gravi lesioni personali.

Nota: In alcuni paesi l'impugnatura potrebbe essere del tipo non a barriera.



MONTAGGIO DELLA PROTEZIONE

AVVERTENZA:

Utilizzare sempre l'utensile con la combinazione dei dispositivi di sicurezza approvata. In caso contrario, il contatto con l'utensile da taglio può provocare gravi lesioni personali.

ATTENZIONE:

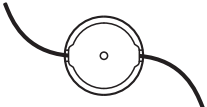
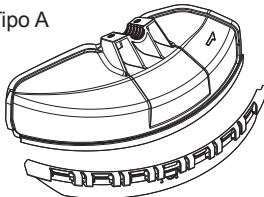

Serrare i bulloni destro e sinistro in modo uniforme, in modo che lo spazio tra il morsetto e il dispositivo di protezione sia costante. In caso contrario, il dispositivo di protezione potrebbe non funzionare come previsto.

Per rispettare le vigenti normative sulla sicurezza, usare esclusivamente le combinazioni utensile/dispositivo di protezione indicate nella tabella.

Uso della lama in metallo

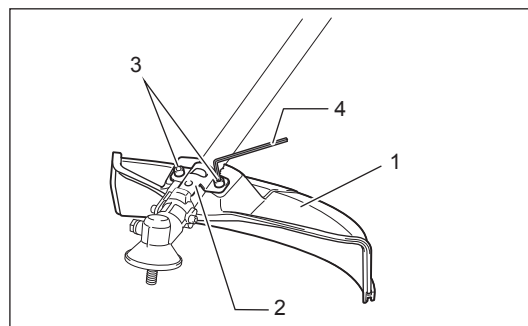
Lama in metallo	Sono necessari la rondella del morsetto, la coppa e il dado	Dispositivo di protezione
		<p>Tipo A</p> 

Uso della testina da taglio in nylon

Testina da taglio in nylon	Dispositivo di protezione	
	<p>Tipo A</p> 	<p>Tipo B</p> 

Per la lama in metallo

Fissare il dispositivo di protezione di tipo A (1) al morsetto (2) con due bulloni M6 x 25 (3) utilizzando la chiave esagonale 5 (4).



Per la testina da taglio in nylon (dispositivo di protezione di tipo A)

ATTENZIONE:

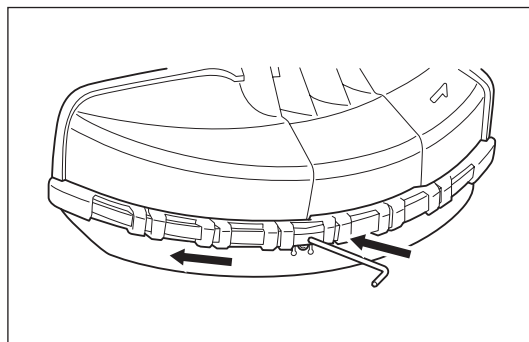
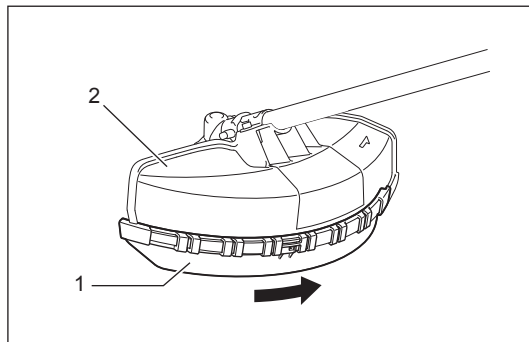
Assicurarsi di spingere l'estensione del dispositivo di protezione (1) fino al suo completo inserimento.

In caso contrario, l'estensione del dispositivo di protezione potrebbe cadere e provocare lesioni personali.

ATTENZIONE:

Prestare attenzione a non ferirsi con il tagliente per il filo in nylon.

1. Fissare il dispositivo di protezione al morsetto con due bulloni M6 x 25.
2. Montare l'estensione del dispositivo di protezione (1) facendola scorrere in posizione dal lato del dispositivo di protezione della lama in metallo (2).
3. Rimuovere il nastro adesivo dal tagliente per il filo di nylon sull'estensione del dispositivo di protezione.
4. Per rimuovere l'estensione del dispositivo di protezione, inserire una chiave esagonale 4 nella tacca sul dispositivo di protezione, spingere verso l'interno e far scorrere l'estensione del dispositivo di protezione.

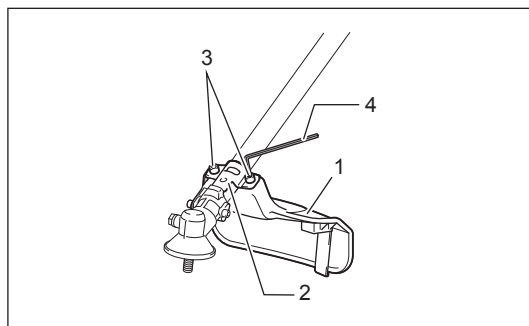


Per la testina da taglio in nylon (dispositivo di protezione di tipo B)

ATTENZIONE:

Prestare attenzione a non ferirsi con il tagliente per il filo in nylon.

Fissare il dispositivo di protezione (1) al morsetto (2) con due bulloni M6 x 25 (3) utilizzando la chiave esagonale 5 (4).



MONTAGGIO DELLA LAMA DA TAGLIO/TESTINA DI TAGLIO IN NYLON

ATTENZIONE:

Usare lame da taglio o testine da taglio in nylon originali MAKITA.

- La lama da taglio deve essere ben affilata e priva di incrinature o rotture. Se durante il lavoro la lama urta contro una pietra, arrestare il motore e controllare immediatamente la lama.
- Affilare o sostituire la lama ogni tre ore di utilizzo.
- Se durante il lavoro la testina da taglio in nylon urta contro una pietra, arrestare il motore e controllare immediatamente la testina da taglio.

ATTENZIONE:

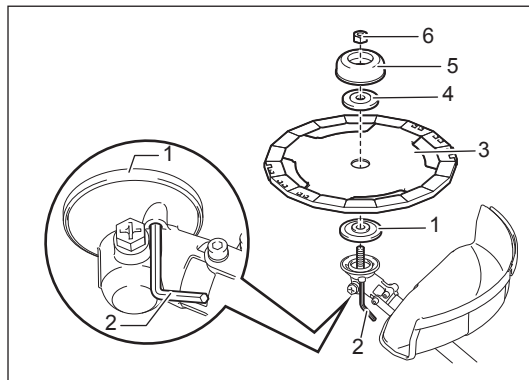
Il diametro esterno della lama da taglio deve essere 230 mm. Non utilizzare lame con diametro esterno superiore a 230 mm. Capovolgere l'utensile per sostituire agevolmente la lama da taglio o la testina da taglio in nylon.

Montaggio della lama da taglio

ATTENZIONE:

Indossare sempre i guanti e posizionare il coprilama sulla lama in metallo quando si maneggia la lama da taglio.

1. Montare la rondella ricevente (1) sull'assale.
2. Inserire la chiave esagonale 4 (2) nel foro della scatola degli ingranaggi e ruotare la rondella ricevente (1) finché non viene bloccata dalla chiave esagonale.
3. Montare la lama in metallo (3) sull'albero in modo che la guida della rondella ricevente (1) si inserisca nel foro sull'asta della lama in metallo.
4. Inserire la rondella del morsetto (4), la coppa (5) e fissare la lama da taglio ruotando il dado (6) in senso antiorario. [Coppia di serraggio: 13 - 23 N-m]
5. Rimuovere la chiave esagonale una volta installata la lama in metallo.

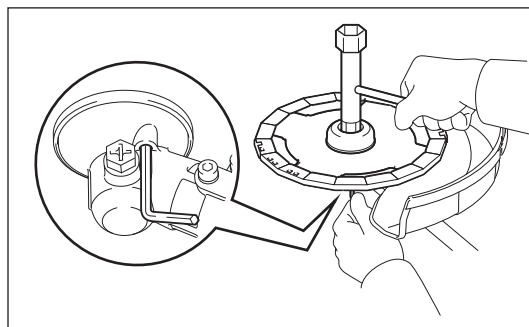


Per rimuovere la lama in metallo, procedere come segue:

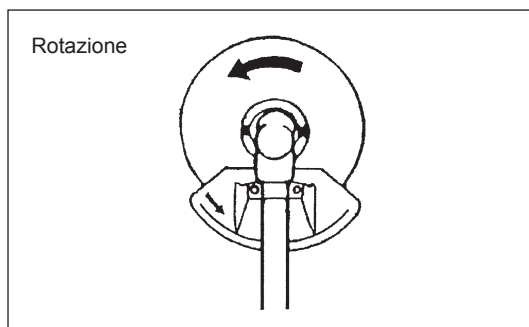
1. Inserire la chiave esagonale nel foro della scatola degli ingranaggi e ruotare la rondella ricevente finché non viene bloccata dalla chiave esagonale.
2. Allentare il dado in senso orario utilizzando la chiave a bussola, quindi rimuovere il dado, la coppa, la rondella del morsetto e la chiave esagonale.

NOTA:

Il dado di serraggio della lama da taglio (con rondella elastica) si usura nel corso del tempo. Se sulla rondella elastica compaiono segni di usura o deformazione, sostituire il dado.

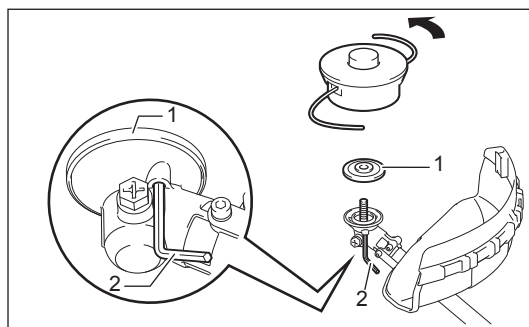


Assicurarsi che la lama presenti il lato sinistro rivolto verso l'alto.



Montaggio della testina da taglio in nylon

1. Montare la rondella ricevente (1) sull'assale.
2. Inserire la chiave esagonale (2) nel foro della scatola degli ingranaggi e ruotare la rondella ricevente (1) finché non viene bloccata dalla chiave esagonale.
3. Avvitare quindi la testina da taglio in nylon sull'albero, ruotandola in senso antiorario.
4. Rimuovere la chiave esagonale una volta installata la testina da taglio in nylon.



PRIMA DELLA MESSA IN FUNZIONE

Ispezione e rabbocco dell'olio motore

- Eseguire la seguente procedura a motore freddo.
- Mettere il motore in piano, rimuovere il tappo del serbatoio dell'olio (Fig. 1) e controllare se c'è olio nell'intervallo tra gli indicatori del limite superiore e del limite inferiore del tubo dell'olio (Fig. 2).
- Se l'olio è insufficiente (il livello dell'olio è vicino all'indicatore del limite inferiore), rabboccare l'olio fino all'indicatore del limite superiore (Fig. 3).
- L'area intorno agli indicatori esterni è trasparente, in modo da poter controllare la quantità di olio all'interno senza bisogno di rimuovere il tappo del serbatoio dell'olio. Tuttavia, se il tubo dell'olio diventa troppo sporco, potrebbe impedire di vedere all'interno: in questo caso il livello dell'olio va controllato sulla sezione graduata all'interno del tubo dell'olio.
- Il tempo indicativo di rabbocco dell'olio è pari a circa 10 ore (10 volte o 10 serbatoi di rabbocco olio).
Sostituire l'olio se cambia colore o viene a contatto con della sporcizia. (Per informazioni sull'intervallo e sul metodo di sostituzione, vedere P 103)

Olio consigliato: Olio SAE 10W-30 di classificazione API, classe SF o superiore (motore a quattro tempi per automobili)

Volume dell'olio: Circa 0,08 l

Nota: Se il motore non è in piano, è possibile che l'olio entri in circolo nel motore e il rabbocco effettuato sia eccessivo.

Se l'olio viene rabboccato oltre il limite, possono verificarsi contaminazioni o incendi che producono fumo bianco.

Punto 1 della sostituzione dell'olio: "Indicatore del livello dell'olio"

- Rimuovere polvere e sporco nelle vicinanze dello sportello di rabbocco dell'olio e staccare l'indicatore del livello dell'olio.
- Evitare il contatto dell'indicatore del livello dell'olio con sabbia o polvere. Diversamente, la sabbia o la polvere che hanno aderito all'indicatore del livello dell'olio possono provocare una circolazione irregolare dell'olio o determinare l'usura delle parti del motore, con conseguenti problemi.

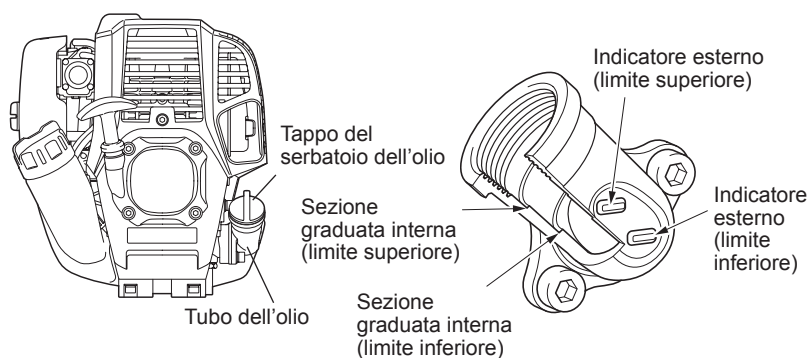


Fig. 1

Fig. 2 Tubo dell'olio

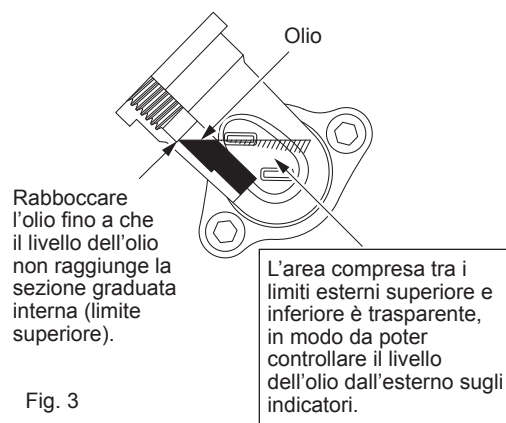
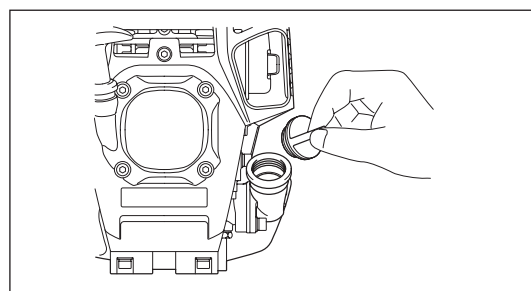
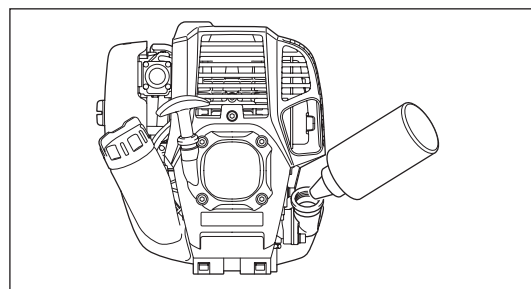


Fig. 3

(1) Mantenere il motore in piano e staccare il tappo del serbatoio dell'olio.



(2) Rabboccare l'olio fino all'indicatore del limite superiore (vedere Fig. 3). Per il rabbocco, versare l'olio dalla bottiglia.



(3) Serrare saldamente il tappo del serbatoio dell'olio. Un serraggio insufficiente può causare perdite d'olio.

Nota

- Non sostituire l'olio tenendo il motore in posizione inclinata.
- L'introduzione di olio con il motore inclinato porta a un eccessivo riempimento con conseguente contaminazione e/o fumo bianco.

Punto 2 della sostituzione dell'olio: "Fuoriuscite di olio"

- Se l'olio dovesse fuoriuscire tra il serbatoio del carburante e l'unità principale del motore, verrebbe aspirato dall'ingresso dell'aria di raffreddamento, contaminando il motore. Pulire eventuali fuoriuscite d'olio prima della messa in funzione.

RIFORNIMENTO

Trattamento del carburante

Il carburante deve essere trattato con la massima attenzione, in quanto può contenere sostanze simili ai solventi. Il rifornimento deve essere eseguito in un ambiente ventilato o all'aria aperta. Non inalare i vapori e mantenere il carburante a distanza. Un contatto ripetuto o prolungato con il carburante può seccare la pelle, provocando malattie della pelle o allergie. Se il carburante viene a contatto con gli occhi, lavare gli occhi con acqua fresca. Se l'irritazione persiste, consultare un medico.

Periodo di conservazione del carburante

Il carburante deve essere utilizzato entro 4 settimane, anche se viene conservato in contenitori specifici in ambienti ben ventilati e in ombra. Se non viene utilizzato un contenitore specifico, o se il contenitore non è coperto, il carburante può deteriorarsi in un giorno.

CONSERVAZIONE DELL'UTENSILE E DEL SERBATOIO DI RIFORNIMENTO

- Conservare l'utensile e il serbatoio del carburante in un ambiente fresco, lontano dalla luce diretta del sole.
- Non tenere il carburante nella cabina o nel bagagliaio.

Carburante

Il motore è a quattro tempi. Utilizzare benzina per automobili (normale o premium).

Indicazioni utili sul carburante

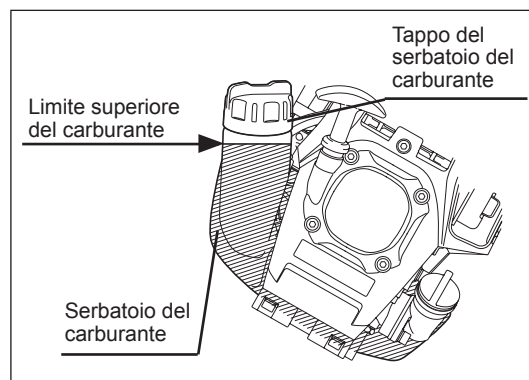
- Non utilizzare una miscela di benzina e olio motore. Diversamente, si potrebbe verificare un accumulo eccessivo di carbonio o problemi meccanici.
- L'uso di olio deteriorato può causare un avviamento irregolare.

Rifornimento

AVVERTENZA: DIVIETO DI UTILIZZO DI INFIAMMABILI

Benzina utilizzata: Benzina per automobili (senza piombo)

- Allentare leggermente il tappo del serbatoio del carburante per riequilibrare la pressione atmosferica.
 - Rimuovere il tappo del serbatoio del carburante ed effettuare il rifornimento, scaricando l'aria con un'inclinazione verso l'alto del serbatoio del carburante. Non effettuare mai il rifornimento di carburante dallo sportello di rabbocco dell'olio.
 - Pulire bene i bordi del tappo del serbatoio del carburante per evitare la penetrazione di corpi estranei nel serbatoio del carburante.
 - Dopo il rifornimento, serrare il tappo del serbatoio del carburante.
- Se il tappo del serbatoio del carburante presenta danni o difetti, sostituirlo.
 - Il tappo del serbatoio del carburante è soggetto a usura, pertanto deve essere sostituito ogni due o tre anni.



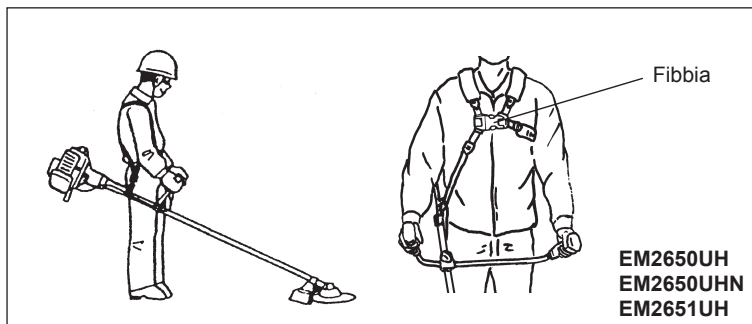
UTILIZZO CORRETTO DELL'UTENSILE

Fissaggio della tracolla

- Regolare la lunghezza della tracolla in modo che la lama da taglio sia parallela al terreno.

Per EM2650UH, EM2650UHN, EM2651UH

NOTA: Assicurarsi di non far rimanere impigliati i vestiti, ecc. nella fibbia.

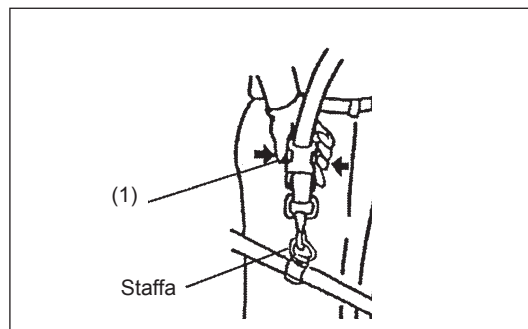


Distacco

Per EM2650LH, EM2651LH

- In caso di emergenza, premere le tacche (1) su entrambi i lati per staccare l'utensile.
- In tale circostanza prestare particolare attenzione nel mantenere il controllo dell'utensile. Impedire che l'utensile venga deviato verso l'operatore o chiunque si trovi nelle vicinanze.

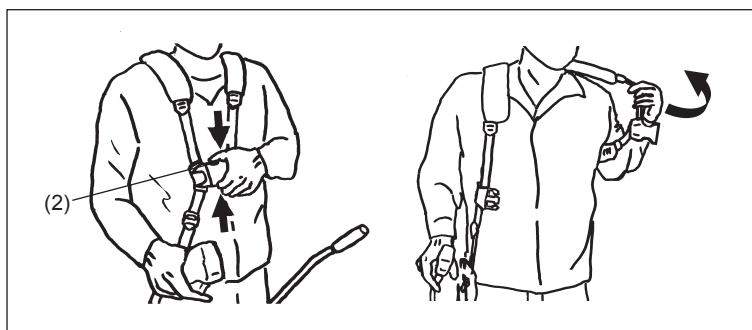
AVVERTENZA: La perdita completa del controllo dell'utensile potrebbe essere causa di gravi lesioni o di MORTE.



Per EM2650UH, EM2650UHN, EM2651UH

- In caso di emergenza, premere le tacche (2) su entrambi i lati per staccare l'utensile.
- In tale circostanza prestare particolare attenzione nel mantenere il controllo dell'utensile. Impedire che l'utensile venga deviato verso l'operatore o chiunque si trovi nelle vicinanze.

AVVERTENZA: La perdita completa del controllo dell'utensile potrebbe essere causa di gravi lesioni o di MORTE.

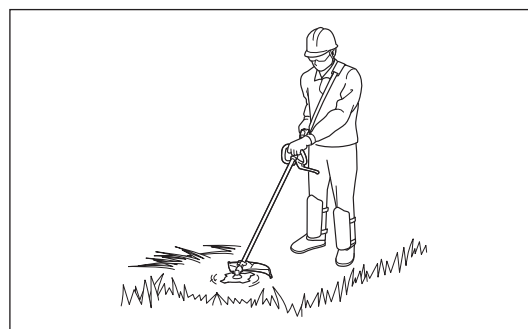


AVVERTENZA:

Mantenere sempre l'utensile sul proprio lato destro. Un corretto posizionamento dell'utensile consente il massimo controllo e riduce il pericolo di gravi danni alla persona causati dai contraccolpi.

AVVERTENZA:

È fondamentale mantenere sempre il controllo dell'utensile. Impedire che l'utensile venga deviato verso l'operatore o chiunque si trovi nelle vicinanze. Il mancato controllo dell'utensile può causare lesioni gravi agli astanti e all'operatore.



Funzionamento della testina da taglio in nylon

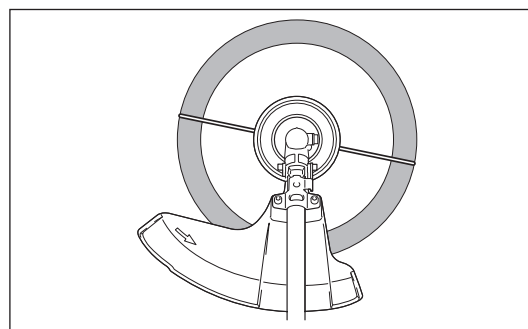
La testina da taglio in nylon è una testina tagliabordi a doppio filo munita di un meccanismo di avanzamento del filo a battitura.

Per provocare la fuoriuscita del filo in nylon, la testina da taglio deve essere battuta sul terreno durante la rotazione.

L'area di taglio più efficace è mostrata dalla sezione tratteggiata.

NOTA:

Se non si riesce a estrarre il filo in nylon battendo la testina, riavvolgere o sostituire il filo in nylon seguendo le procedure descritte nella sezione "ISTRUZIONI DI MANUTENZIONE".



FUNZIONAMENTO E ARRESTO

Osservare le normative vigenti per la prevenzione degli infortuni.

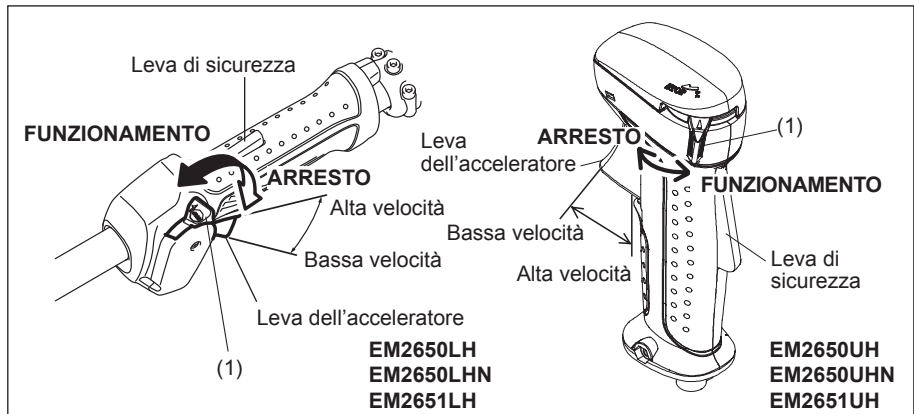


AVVIAMENTO

Allontanarsi di almeno 3 m dal luogo di rifornimento. Appoggiare il decespugliatore a benzina su una zona di terreno libera, avendo cura che l'utensile da taglio non sia a contatto con il terreno o con qualunque altro oggetto.

A: Avvio a freddo

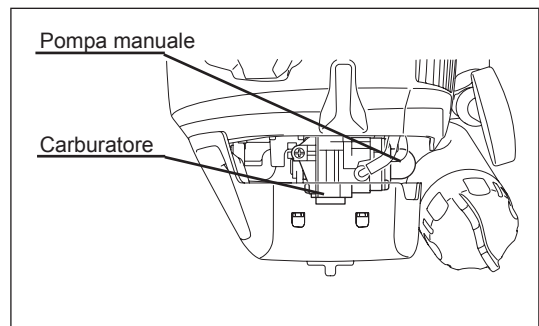
- 1) Appoggiare l'utensile su uno spazio in piano.
- 2) Portare l'interruttore di accensione (1) nella posizione di FUNZIONAMENTO.



- 3) Pompa manuale

Continuare a premere la pompa manuale fin quando il carburante affluisce nella pompa manuale. In generale, il carburante entra nella pompa manuale dopo 7-10 pressioni.

Se la pompa manuale viene premuta troppo, l'eccesso di benzina ritorna nel serbatoio del carburante.



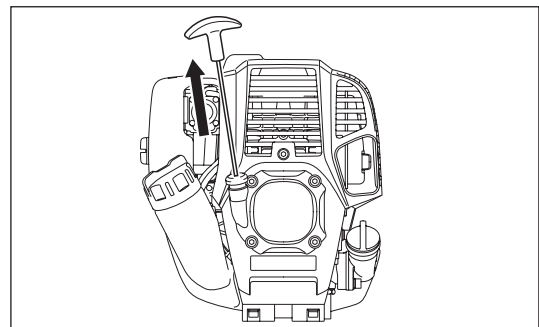
- 4) Sistema di avviamento a strappo

Tirare delicatamente la manopola di avviamento fin quando risulta difficile da tirare (punto di compressione). A questo punto, riportare la manopola di avviamento nella posizione iniziale e tirarla con forza.

Non tirare mai al massimo la corda. Una volta tirata la manopola di avviamento, non togliere immediatamente la mano, ma tenere la manopola di avviamento finché non ritorna al punto di partenza.

- 5) Operazione di riscaldamento

Continuare l'operazione di riscaldamento per 2 o 3 minuti.



Nota: In caso di eccessivo afflusso di carburante, rimuovere la candela e tirare lentamente la maniglia di avviamento per eliminare il carburante in eccesso. Asciugare quindi l'elettrodo della candela.

Precauzioni durante l'uso:

Se la leva dell'acceleratore è completamente aperta durante un'operazione non di carico, la rotazione del motore aumenta a 10.000 min⁻¹ e oltre. Non utilizzare mai il motore a una velocità superiore a quella necessaria, mantenendo il regime approssimativo di 6.000 - 8.500 min⁻¹.

B: Avviamento dopo l'operazione di riscaldamento

- 1) Premere più volte la pompa manuale.
- 2) Mantenere la leva dell'acceleratore nella posizione del minimo.
- 3) Tirare con forza il sistema di avviamento a strappo.
- 4) Se l'avviamento del motore risulta difficoltoso, aprire l'acceleratore di circa 1/3. Prestare attenzione alla lama da taglio, che potrebbe ruotare.

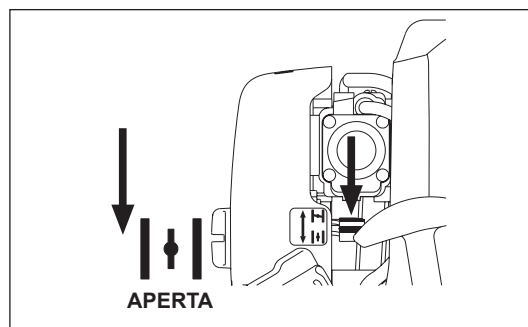
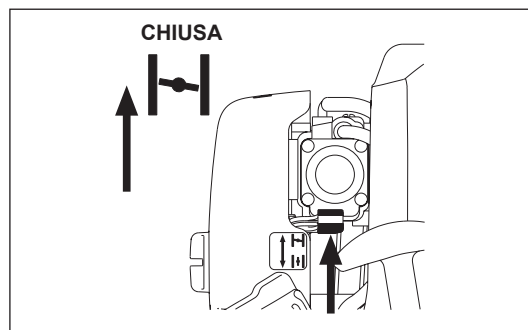
A volte, per esempio d'inverno, quando l'avviamento del motore è difficoltoso

Usare la leva dell'aria come segue per avviare il motore.

- Dopo aver eseguito le operazioni di avviamento da 1) a 3), portare la leva dell'aria nella posizione CHIUSA.
- Eseguire l'operazione di avviamento 4) e avviare il motore.
- Una volta che il motore è avviato, portare la leva dell'aria nella posizione APERTA.
- Eseguire l'operazione di avviamento 5) e completare il riscaldamento.

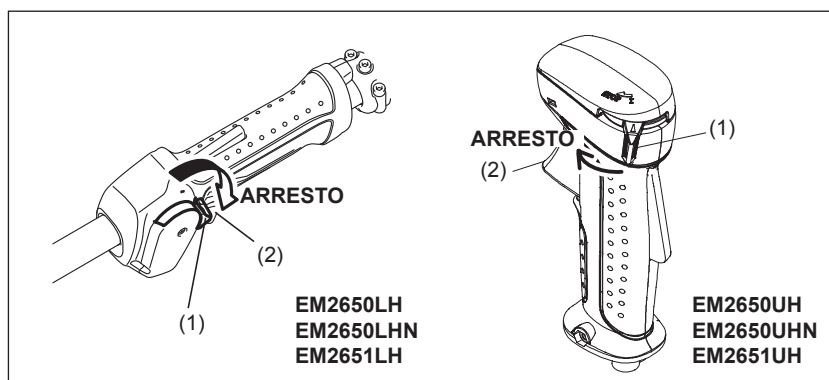
ATTENZIONE: Se si sente uno scoppio e il motore si arresta, o se subito dopo l'avviamento il motore entra in stallo prima che venga azionata la leva dell'aria, riportare la leva dell'aria nella posizione APERTA e tirare ancora qualche volta la manopola di avviamento per avviare il motore.

ATTENZIONE: Se la leva dell'aria viene lasciata nella posizione CHIUSA e si continua a tirare la manopola di avviamento, viene aspirata una quantità eccessiva di carburante, rendendo difficoltoso l'avviamento del motore.



ARRESTO

- 1) Rilasciare completamente la leva dell'acceleratore (2) e, quando il regime del motore è ridotto, portare l'interruttore di accensione nella posizione ARRESTO.
- 2) La testina di taglio potrebbe non fermarsi immediatamente; attendere che rallenti del tutto.



REGOLAZIONE DELLA ROTAZIONE A BASSA VELOCITÀ (MINIMO)

Se fosse necessario regolare la rotazione a bassa velocità (minimo), effettuare la modifica utilizzando la vite di regolazione del carburatore.

CONTROLLO DELLA ROTAZIONE A BASSA VELOCITÀ

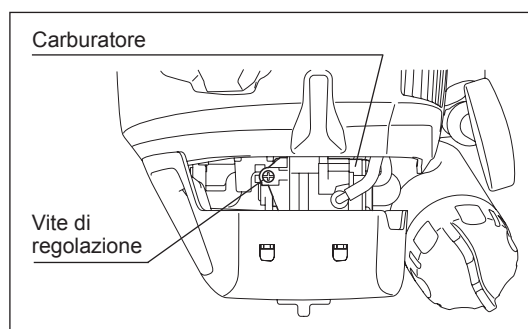
ATTENZIONE:

L'accessorio da taglio potrebbe ruotare durante la regolazione del carburatore. Indossare i dispositivi di protezione e osservare tutte le istruzioni per la sicurezza. Assicurarsi che l'accessorio da taglio smetta di ruotare quando il motore è al minimo.

ATTENZIONE

Dopo aver spento l'unità, assicurarsi che l'accessorio da taglio sia fermo prima di appoggiare l'unità.

- Impostare la rotazione a bassa velocità su 3.000 min⁻¹.
Se fosse necessario cambiare la velocità di rotazione, regolare la vite di regolazione (mostrata a destra) con un cacciavite a stella.
- Ruotare la vite di regolazione a destra per aumentare la rotazione del motore.
Ruotare la vite di regolazione a sinistra per diminuire la rotazione del motore.
- Il carburatore viene generalmente regolato prima della spedizione. Se fosse necessario ripetere la regolazione, contattare un centro assistenza autorizzato.



ISTRUZIONI DI MANUTENZIONE

ATTENZIONE: Prima di effettuare qualunque intervento sul decespugliatore a benzina, spegnere sempre il motore e staccare la candela (vedere "Controllo della candela").
Indossare sempre i guanti di protezione.

Per garantire una lunga durata ed evitare danni all'utensile, effettuare periodicamente le seguenti operazioni di manutenzione.

Controllo e manutenzione giornalieri

- Prima dell'uso, controllare l'utensile alla ricerca di viti allentate o parti mancanti. Prestare particolare attenzione alla tenuta della lama o della testina da taglio in nylon.
- Prima dell'uso, controllare le alette del cilindro e che il passaggio dell'aria di raffreddamento non sia ostruito. Effettuare la pulizia, se necessario.
- Eseguire le seguenti operazioni di manutenzione giornaliera dopo l'uso:
 - Pulire il decespugliatore a benzina esternamente e controllare l'eventuale presenza di danni.
 - Pulire il filtro dell'aria. Se l'uso avviene in ambienti particolarmente polverosi, pulire il filtro più volte al giorno.
 - Controllare eventuali danni alla lama o alla testina da taglio in nylon e verificare che siano montati saldamente.
 - Controllare che vi sia una differenza sufficiente fra il minimo e la velocità di lavoro, per fare in modo che l'utensile da taglio sia fermo quando il motore è al minimo (se necessario ridurre la velocità di minimo).
Se in condizioni di minimo l'utensile è ancora in funzione, rivolgersi al centro assistenza autorizzato di zona.
- Controllare che l'interruttore di accensione, la leva di sicurezza, la leva di controllo e il pulsante di blocco funzionino correttamente.

Affilatura della lama in metallo

ATTENZIONE:

Le lame in metallo devono essere affilate esclusivamente da un centro autorizzato. L'affilatura manuale può causare squilibri dell'utensile da taglio, con conseguenti vibrazioni e danni all'utensile.

NOTA: Per aumentare la durata della lama da taglio è possibile capovolverla di tanto in tanto, fino a usurare entrambi i margini di taglio.

SOSTITUZIONE DELL'OLIO MOTORE

L'olio motore deteriorato riduce notevolmente la durata delle parti scorrevoli e rotanti. Verificare il periodo e la quantità per la sostituzione.



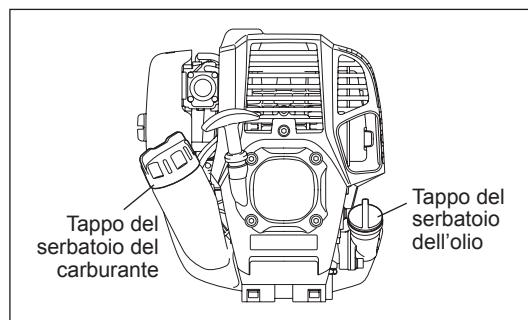
ATTENZIONE: In generale, l'unità principale del motore e l'olio motore sono ancora caldi dopo l'arresto del motore. Prima di sostituire l'olio, verificare che l'unità principale del motore e l'olio motore si siano raffreddati. Diversamente, è possibile procurarsi ustioni.

Nota: Se l'olio viene rabboccato oltre il limite, possono verificarsi contaminazioni o incendi che producono fumo bianco.

Intervallo di sostituzione: Inizialmente ogni 20 ore di funzionamento, successivamente ogni 50 ore di funzionamento
Olio consigliato: Olio SAE 10W-30 di classificazione API, classe SF o superiore (motore a quattro tempi per automobili)

Per la sostituzione, eseguire la seguente procedura.

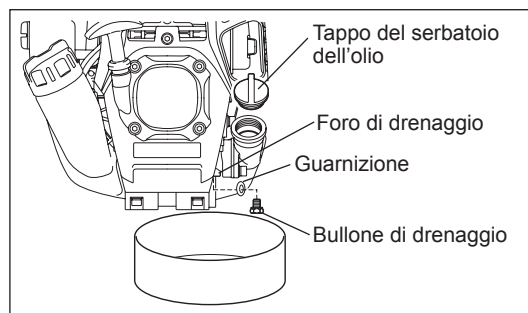
- 1) Verificare che il tappo del serbatoio del carburante sia ben serrato.
- 2) Collocare un contenitore ampio (vaschetta, ecc.) sotto il foro di drenaggio.



- 3) Rimuovere il bullone di drenaggio e quindi il tappo del serbatoio dell'olio per scaricare l'olio dal foro di drenaggio. A questo punto, prestare attenzione a non perdere la guarnizione del bullone di drenaggio e a non sporcare le parti smontate.

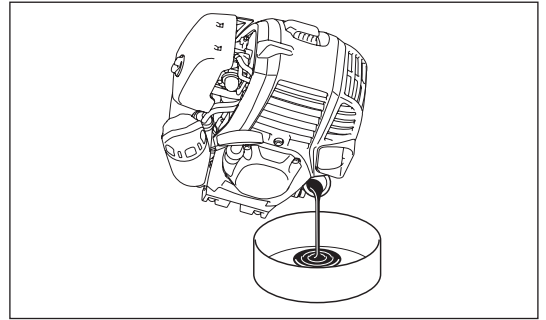
- 4) Una volta scaricato tutto l'olio, rimontare la guarnizione e il bullone di drenaggio, quindi serrare il bullone di drenaggio in maniera che non possa allentarsi, provocando delle perdite.

* Asciugare bene con un panno tutto l'olio sul bullone e sul dispositivo.

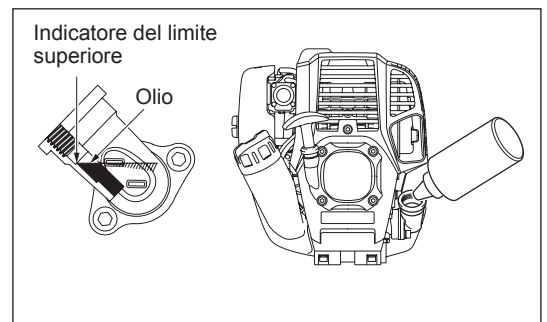
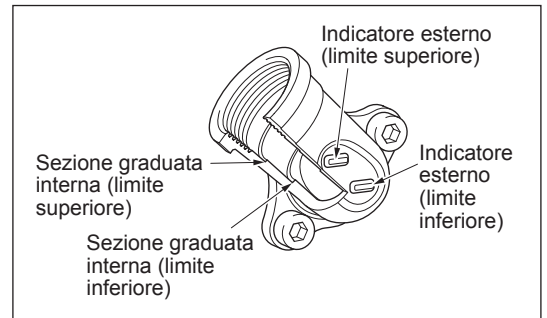


Metodo alternativo di scarico

Rimuovere il tappo del serbatoio dell'olio, inclinare il decespugliatore a benzina verso il foro di rabbocco dell'olio e scaricare l'olio. Raccogliere l'olio in un contenitore.



- 5) Mettere il motore in piano e rabboccare gradualmente con olio nuovo fino all'indicatore del limite superiore.
- 6) Al termine del rabbocco serrare il tappo del serbatoio dell'olio, in modo che non si possa allentare, provocando perdite. Se il tappo del serbatoio dell'olio non è ben serrato potrebbe causare delle perdite.



INDICAZIONI UTILI SULL'OLIO

- Non gettare l'olio motore sostituito nella spazzatura, nel terreno o nei tombini. Lo smaltimento dell'olio è regolamentato dalle leggi. Per lo smaltimento, attenersi sempre a leggi e regolamenti in vigore. Per qualsiasi informazione, rivolgersi al centro di assistenza autorizzato.
- L'olio si deteriora anche se inutilizzato. Eseguire l'ispezione e la sostituzione a intervalli regolari (sostituire l'olio ogni sei mesi).

PULIZIA DEL FILTRO DELL'ARIA



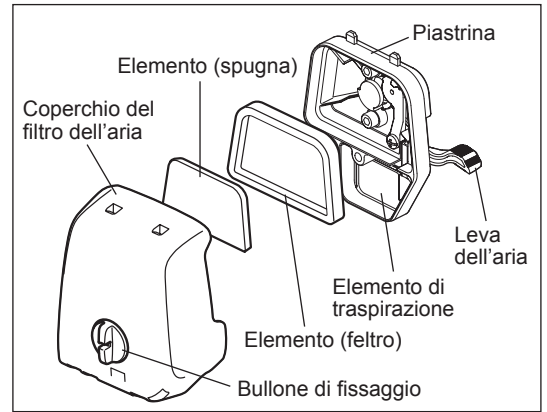
PERICOLO: DIVIETO DI UTILIZZO DI INFIAMMABILI

Intervallo di pulizia ed ispezione: giornaliero (ogni 10 ore di funzionamento)

- Ruotare la leva dell'aria in modo che sia completamente chiusa e tenere il carburatore lontano da polvere o sporco.
- Allentare i bulloni di fissaggio.
- Rimuovere il coperchio del filtro dell'aria spingendo sul lato inferiore.
- Rimuovere gli elementi e batterli delicatamente per eliminare la sporcizia.
- Se gli elementi sono fortemente contaminati:
Rimuovere gli elementi, immergerli in acqua calda o in un detergente neutro diluito con acqua e lasciarli asciugare completamente. Non strizzarli o strofinarli durante il lavaggio.
- Lasciare asciugare completamente gli elementi prima di rimontarli.
Un'asciugatura insufficiente degli elementi può influire sul corretto avviamento del motore.
- Utilizzare un panno usa e getta per rimuovere l'eventuale olio presente sul coperchio del filtro dell'aria e sulla sezione di sfiato.
- Montare l'elemento di spugna nell'elemento di feltro.
Inserire gli elementi nella piastra in modo che la spugna sia rivolta verso il coperchio del filtro dell'aria.
- Subito dopo la pulizia, montare il coperchio del filtro e serrarlo con i bulloni di fissaggio. (Durante il rimontaggio è necessario inserire prima la pinza superiore e poi quella inferiore.)

AVVISO:

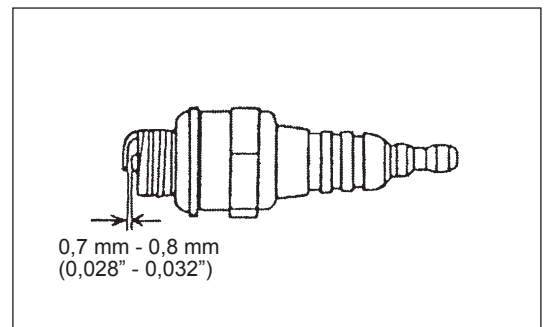
- Pulire gli elementi più volte al giorno se la polvere che vi aderisce è eccessiva. Gli elementi sporchi riducono la potenza del motore e ne rendono difficile l'avviamento.
- Rimuovere l'olio presente sugli elementi. Se si continua a utilizzare gli elementi senza rimuovere l'olio in eccesso, l'olio all'interno del filtro dell'aria potrebbe fuoriuscire, contaminando l'ambiente.
- Non appoggiare gli elementi al suolo o in luoghi sporchi per evitare che raccolgano detriti o sporcizia, danneggiando il motore.
- Non pulire gli elementi con la benzina per non correre il rischio di danneggiarli.



CONTROLLO DELLA CANDELA

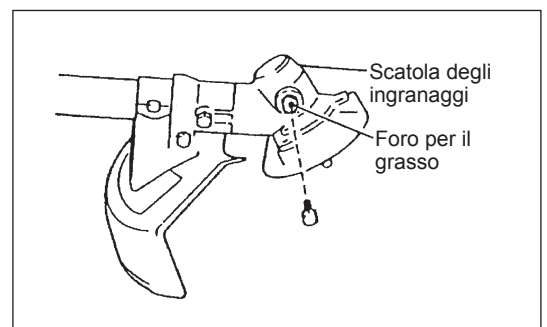
- Per rimuovere o installare la candela usare solo la chiave universale in dotazione.
- Lo spazio fra i due elettrodi della candela deve essere compreso tra 0,7 e 0,8 mm (0,028" - 0,032"). Regolare lo spazio se fosse troppo largo o troppo stretto. Se la candela è ostruita dallo sporco o contaminata, pulirla accuratamente o sostituirla.

ATTENZIONE: Non toccare mai il connettore della candela mentre il motore è in moto (pericolo di scossa elettrica ad alta tensione).



INGRASSAGGIO DELLA SCATOLA DEGLI INGRANAGGI

- Inserire del grasso (Shell Alvania 2 o equivalente) nella scatola degli ingranaggi attraverso l'apposito foro ogni 30 ore. Il grasso originale MAKITA può essere acquistato dal rivenditore MAKITA.



PULIZIA DEL FILTRO DEL CARBURANTE

AVVERTENZA: DIVIETO DI UTILIZZO DI INFIAMMABILI

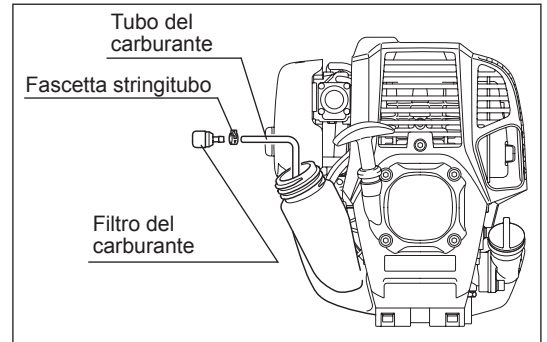
Intervallo di pulizia ed ispezione: mensile (ogni 50 ore di funzionamento)

Testina aspirante nel serbatoio del carburante

Effettuare ispezioni periodiche del filtro del carburante attenendosi alla seguente procedura.

- (1) Rimuovere il tappo del serbatoio e svuotare il carburante. Ispezionare l'interno del serbatoio e rimuovere eventuali corpi estranei.
- (2) Servendosi di un gancio metallico, estrarre la testina di aspirazione attraverso l'apertura.
- (3) Se il filtro del carburante è leggermente ostruito, procedere alla pulizia agitandolo e battendolo delicatamente nella benzina. Per evitare di danneggiarlo, non strizzare o strofinare il filtro. La benzina usata per la pulizia deve essere smaltita in accordo alle legislazioni vigenti nel proprio paese. Sostituire i filtri del carburante induriti o pesantemente ostruiti.
- (4) Dopo l'ispezione, la pulizia o la sostituzione, spingere il filtro del carburante a fondo nel serbatoio.

I filtri ostruiti o danneggiati possono causare un afflusso insufficiente di carburante al motore, riducendone la potenza. Sostituire il filtro del carburante con una frequenza almeno trimestrale, in modo da garantire un'erogazione costante di carburante al carburatore.



SOSTITUZIONE DEL TUBO DEL CARBURANTE

ATTENZIONE: DIVIETO DI UTILIZZO DI INFIAMMABILI

Intervallo di pulizia ed ispezione: giornaliero (ogni 10 ore di funzionamento)

Sostituzione: annuale (ogni 200 ore di funzionamento)

Sostituire il tubo del carburante una volta l'anno, indipendentemente dalla frequenza di utilizzo. Le perdite di carburante possono dare luogo a incendi. Se vengono rilevate perdite durante l'ispezione, sostituire immediatamente il tubo dell'olio.

ISPEZIONE DI BULLONI, DADI E VITI

- Serrare bulloni, dadi e viti allentati.
- Verificare la presenza di perdite di carburante e olio.
- Sostituire le parti danneggiate per un utilizzo in sicurezza.

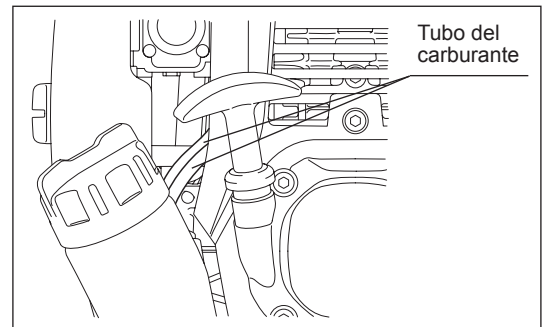
PULIZIA DELLE PARTI

- Mantenere il motore sempre pulito.
- Evitare il contatto delle alette del cilindro con polvere o sporco. La polvere o lo sporco che aderiscono alle alette possono causare la perdita di cilindricità del pistone.

SOSTITUZIONE DI GUARNIZIONI E IMBALLAGGI

Durante il rimontaggio del motore, sostituire le guarnizioni e gli imballaggi.

Ogni attività di manutenzione o di regolazione non descritta in questo manuale deve essere effettuata esclusivamente da un centro assistenza autorizzato.

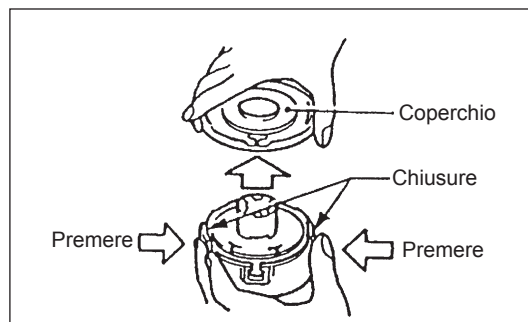


Sostituzione del filo in nylon

(per Ultra Auto 4)

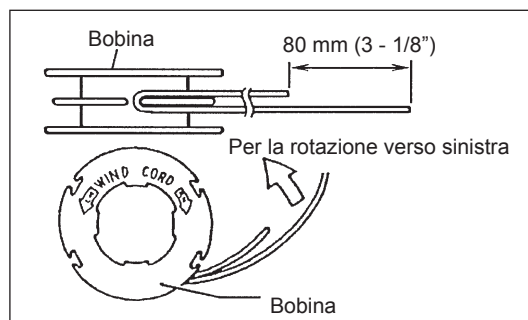
Per prima cosa, arrestare il motore.

Premere le chiusure dell'alloggiamento verso l'interno per sollevare il coperchio, quindi rimuovere la bobina.

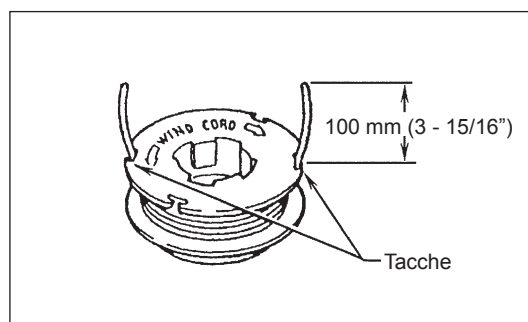


Agganciare il centro di un nuovo filo di nylon nella tacca al centro della bobina, in modo che una delle estremità del filo sia più lunga dell'altra di circa 80 mm (3 - 1/8").

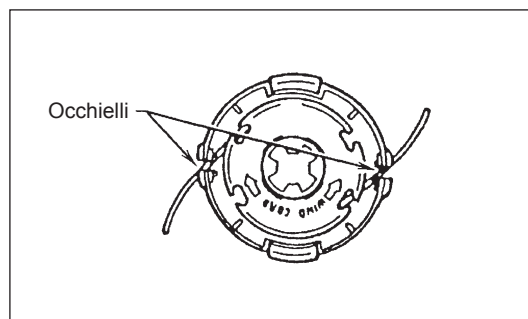
Avvolgere quindi strettamente entrambe le estremità attorno alla bobina, nella direzione di rotazione della testina (le indicazioni LH ed RH sul fianco della bobina indicano rispettivamente la rotazione a sinistra e a destra).



Avvolgere tutto il filo, tranne 100 mm (3 - 15/16"), lasciando le estremità temporaneamente agganciate alla tacca sul fianco della bobina.

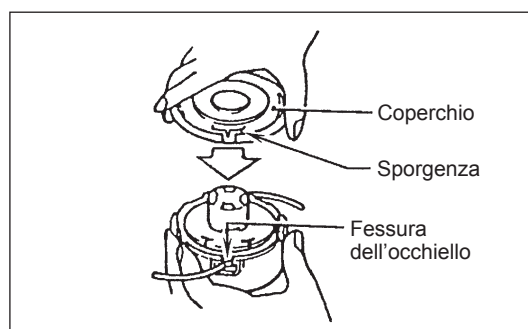


Montare la bobina nel suo alloggiamento, in modo che le scanalature e le sporgenze su di esso corrispondano a quelle sull'alloggiamento. Mantenere il lato con le lettere sulla bobina in alto, in modo che sia visibile. Sganciare quindi le estremità del filo dalla loro posizione temporanea e passarle attraverso gli occhielli, in modo che fuoriescano dall'alloggiamento.



Allineare la sporgenza sul lato inferiore del coperchio con le fessure degli occhielli.

Spingere quindi con forza il coperchio sull'alloggiamento per fissarlo.

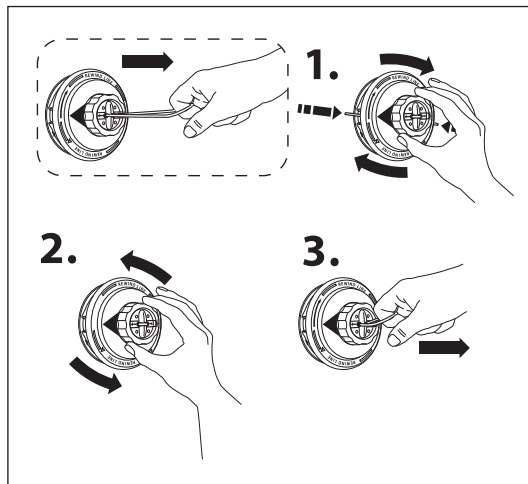


(per Proulx)

Per prima cosa, spegnere il motore.

Tenere ben fermo l'involucro e ruotare la bobina in senso orario finché il filo di nylon rimanente non viene ritirato nell'involucro, quindi effettuare una rotazione avanti e indietro per alleviare la tensione del cavo.

Afferrare il cappio nella parte superiore della bobina e tirarlo esternamente alla bobina.



Preparare un filo di nylon con le seguenti caratteristiche.

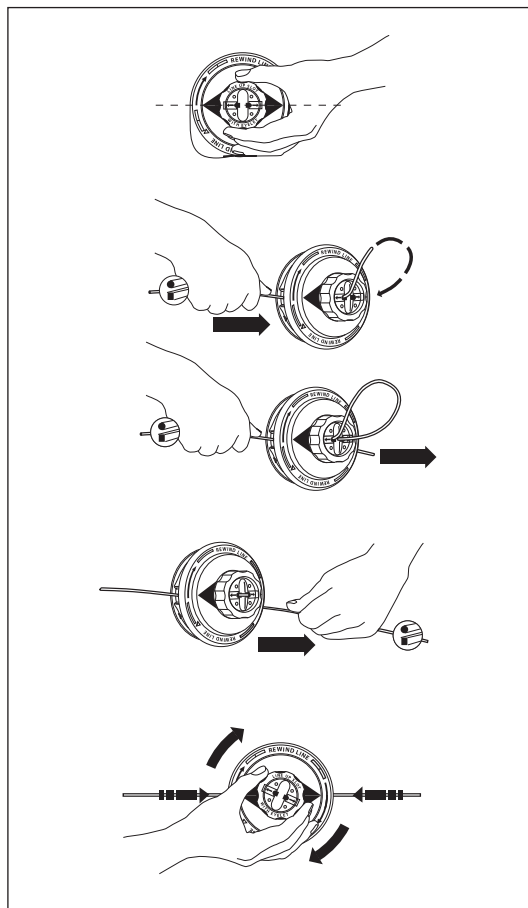
Lunghezza di 4,5 m

Cavo rotondo con diametro di 2,4 mm o cavo quadrato con diagonale di 2,0 mm. Allineare la freccia sulla bobina con gli occhielli sull'involucro.

Inserire un'estremità del filo di nylon nell'occhiello a lato dell'involucro, farlo passare nel foro presente nella parte superiore della bobina, quindi reinserirlo nel secondo foro nella parte superiore della bobina. Spingere il filo di nylon nei fori finché il cavo non passa negli occhielli a lato dell'involucro.

Spingere il filo di nylon nei fori, facendolo passare negli occhielli a lato dell'involucro, fino a ottenere una lunghezza uguale su entrambi i lati.

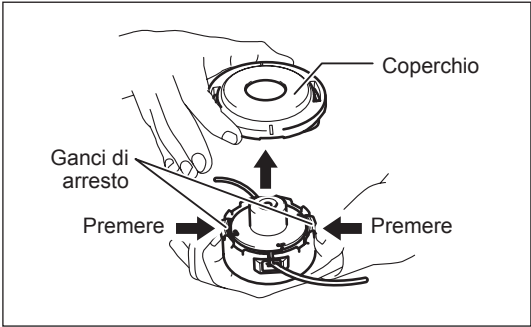
Tenere ben fermo l'involucro e ruotare la bobina in senso orario per avvolgere il filo di nylon sulla bobina.



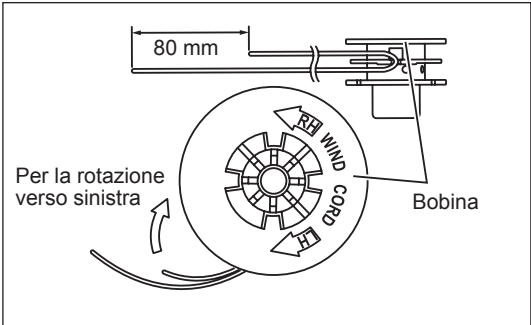
(per B&F4 / Z5)

AVVERTENZA: Assicurarsi che il coperchio della testina da taglio in nylon sia fissato correttamente sull'alloggiamento come descritto di seguito. Il mancato fissaggio del coperchio potrebbe causare un distacco della testina da taglio in nylon, con conseguenti lesioni gravi.

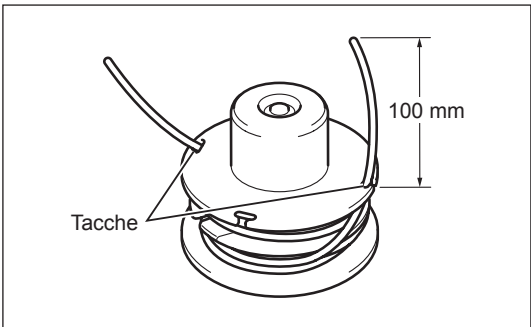
Premere i ganci di arresto dell'alloggiamento verso l'interno e sollevarli verso l'alto per rimuovere il coperchio.
Gettare il filo di nylon rimanente.



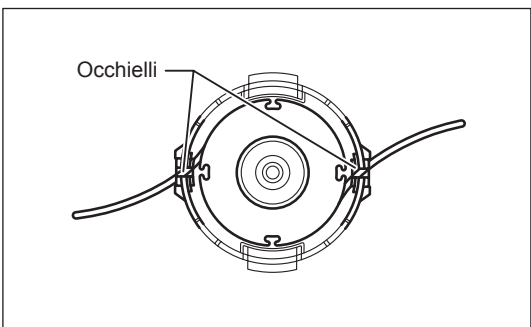
Agganciare la parte centrale del nuovo filo di nylon alla tacca posta al centro della bobina tra i 2 canali forniti per il filo di nylon. Un capo del filo deve essere più lungo di circa 80 mm rispetto all'altro capo.
Avvolgere saldamente entrambe le estremità intorno alla bobina nella direzione indicata sulla testina per la direzione sinistrorsa (LH).



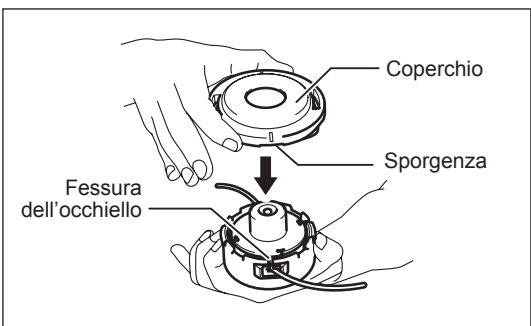
Avvolgere tutto il filo, tranne 100 mm, lasciando le estremità temporaneamente agganciate alla tacca sul fianco della bobina.



Montare la bobina nell'alloggiamento in modo che le scanalature e le sporgenze della bobina corrispondano a quelle dell'alloggiamento. Mantenere ben visibile il lato della bobina con le lettere rivolte in alto. A questo punto, sganciare le estremità del filo dalla loro posizione temporanea e passarle attraverso gli occhielli in modo che fuoriescano dall'alloggiamento.

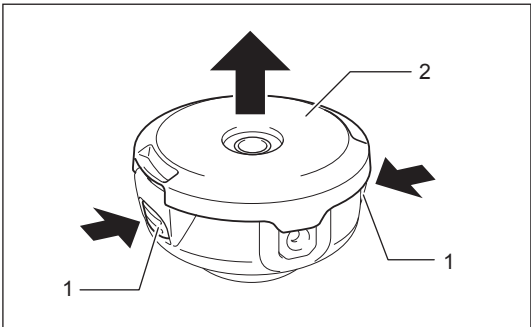


Allineare la sporgenza sul lato inferiore del coperchio con le fessure degli occhielli.
Spingere saldamente il coperchio sull'alloggiamento per fissarlo. Assicurarsi che i ganci di arresto si estendano completamente sul coperchio.

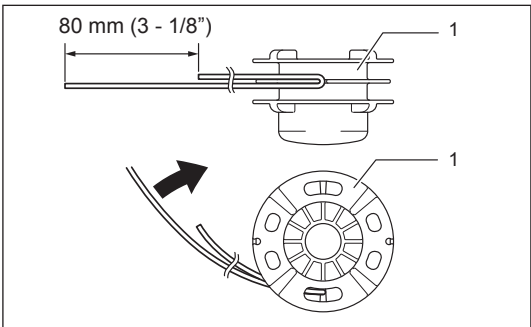


(per il tipo con avanzamento a battitura)

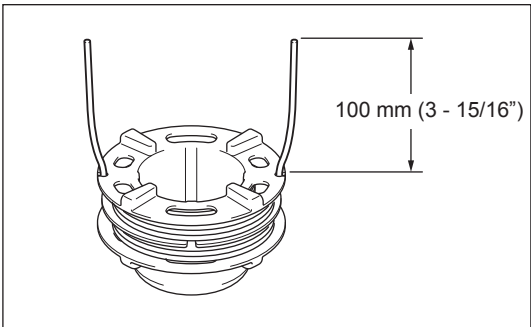
Per prima cosa, spegnere il motore.
Premere i ganci sull'involucro (1) verso l'interno per sollevare il coperchio (2), quindi rimuovere la bobina.



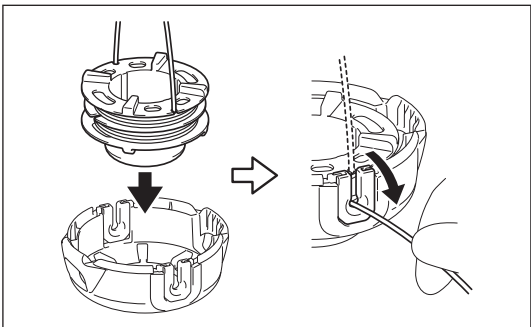
Agganciare il centro del nuovo filo in nylon alla tacca al centro della bobina (1), con un'estremità del filo estesa di circa 80 mm in più rispetto all'altra.
Avvolgere quindi strettamente entrambe le estremità attorno alla bobina nella direzione di rotazione della testina (l'indicazione LH sul fianco della bobina indica la rotazione a sinistra).



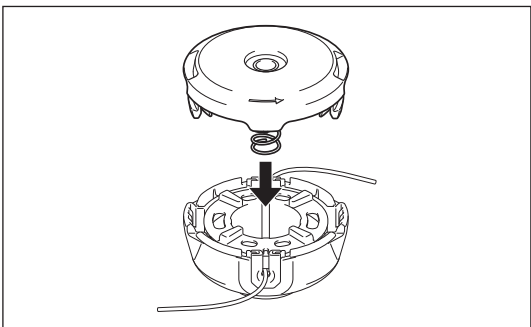
Avvolgere tutto il filo, tranne 100 mm, lasciando le estremità temporaneamente agganciate alla tacca sul fianco della bobina.



Montare la bobina nell'involucro in modo che le scanalature e le sporgenze della bobina coincidano con quelle dell'involucro. Mantenere ben visibile il lato della bobina con le lettere rivolte in alto. Sganciare quindi le estremità del filo dalla loro posizione temporanea e passarle attraverso gli occhielli, in modo che fuoriescano dall'involucro.



Allineare la sporgenza sul lato inferiore del coperchio con le aperture degli occhielli.
Premere quindi saldamente il coperchio sull'involucro per fissarlo.



CONSERVAZIONE

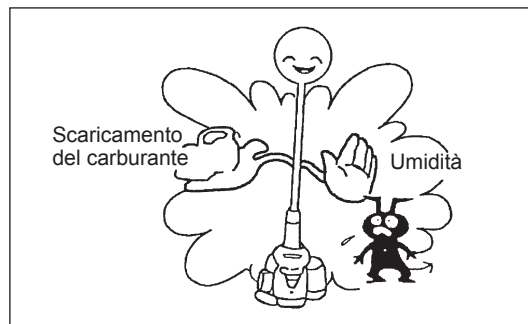


AVVERTENZA: Quando si scarica il carburante, il motore deve essere spento e freddo. Subito dopo l'arresto, il motore è ancora caldo e può causare rischi di ustioni, infiammabilità e incendi.



ATTENZIONE: Se l'utensile non viene utilizzato per lungo tempo, scaricare tutto il carburante dal serbatoio e dal carburatore, quindi conservarlo in un luogo fresco e asciutto.

- Scaricare il carburante dal serbatoio e dal carburatore secondo la procedura riportata di seguito:
 - 1) Rimuovere il tappo del serbatoio del carburante e scaricare completamente il carburante.
Se nel serbatoio rimangono corpi estranei, rimuoverli completamente.
 - 2) Estrarre il filtro del carburante dallo sportello di rabbocco utilizzando un filo.
 - 3) Premere la pompa manuale fino a scaricare tutto il carburante, quindi scaricare il carburante penetrato nel serbatoio.
 - 4) Rimontare il filtro sul serbatoio del carburante e serrare il tappo.
 - 5) Continuare quindi a utilizzare il motore fino all'arresto.
- Rimuovere la candela e far cadere diverse gocce di olio motore nel foro della candela.
- Tirare delicatamente l'impugnatura di avviamento per diffondere l'olio motore nel motore, quindi inserire la candela.
- Fissare il coperchio alla lama da taglio.
- In generale, riporre l'utensile in posizione orizzontale, o comunque posizionarlo in modo che il motore sporga dalla parte inferiore dell'utensile da taglio. In caso contrario potrebbero verificarsi perdite di olio motore dall'interno. Nella fase di stoccaggio, evitare con particolare attenzione che l'utensile possa cadere. In caso contrario potrebbero verificarsi danni alla persona.
- Conservare il carburante scaricato in un contenitore speciale, in un ambiente all'ombra e ben ventilato.



Attenzione dopo una lunga conservazione

- Prima dell'avviamento dopo una fase di inutilizzo prolungata, sostituire l'olio (vedere P 103). L'olio si deteriora anche se l'utensile è inutilizzato.

Posizione non corretta

Problema	Sistema	Osservazione	Causa
Il motore non si avvia o si avvia con difficoltà	Sistema di accensione	Scintilla di accensione OK Nessuna scintilla di accensione	Problema nel sistema di alimentazione o di compressione, difetto meccanico Interruttore di arresto utilizzato, problema di cavi o corto circuito, candela o cavo della candela difettosi, modulo di accensione guasto
	Alimentazione	Il serbatoio contiene carburante	Posizione dell'aria non corretta, carburatore guasto, linea di alimentazione piegata o bloccata, carburante sporco
	Compressione	Non c'è compressione nel cilindro	Guarnizione inferiore del cilindro danneggiata, guarnizione dell'albero motore danneggiata, cilindro o segmenti del pistone danneggiati, la candela non chiude ermeticamente il foro
Problemi nell'avviamento a caldo	Guasto meccanico	L'avviamento non funziona	Rottura della molla dell'avviamento, parti danneggiate all'interno del motore
	Alimentazione	Scintilla di accensione con serbatoio pieno	Carburatore contaminato, richiederne la pulizia
Il motore parte ma si spegne	Alimentazione	Il serbatoio contiene carburante	Regolazione del minimo non corretta, carburatore sporco Apertura del serbatoio di carburante danneggiata, linea di alimentazione interrotta, cavo o interruttore di arresto difettosi
Prestazioni insufficienti	Possono essere interessati contemporaneamente più sistemi	Minimo insufficiente	Filtro dell'aria sporco, carburatore sporco, tubo di scarico otturato, condotto di scarico del cilindro otturato

Elemento	Durata in esercizio								P corrispondente
		Prima dell'uso	Dopo la lubrificazione	Giornaliero (10 ore)	30 ore	50 ore	200 ore	Arresto/riposo	
Olio motore	Ispezione	○							98
	Sostituzione					○*1			103
Parti di serraggio (bullone, dato)	Ispezione	○							106
Serbatoio del carburante	Pulizia/ ispezione	○							—
	Svuotamento del carburante							○*3	111
Leva dell'acceleratore	Controllo del funzionamento		○						—
Interruttore di arresto	Controllo del funzionamento		○						102
Lama da taglio	Ispezione	○		○					95
Rotazione a bassa velocità	Ispezione/ regolazione			○					102
Filtro dell'aria	Pulizia			○					105
Candela di accensione	Ispezione			○					105
Condotto dell'aria di raffreddamento	Pulizia/ ispezione			○					106
Tubo del carburante	Ispezione			○					106
	Sostituzione						◎*2		—
Grasso della scatola degli ingranaggi	Rabbocco				○				105
Filtro del carburante	Pulizia/ sostituzione					○			106
Distanza tra valvola di ingresso e valvola di uscita dell'aria	Regolazione						◎*2		—
Revisione del motore							◎*2		—
Carburatore	Svuotamento del carburante							○*3	111

*1 Eseguire la sostituzione iniziale dopo 20 ore di funzionamento.

*2 Per l'ispezione dopo 200 ore di funzionamento, rivolgersi a un centro assistenza autorizzato o a un rivenditore.

*3 Dopo aver svuotato il serbatoio, lasciare il motore in funzione e scaricare il carburante nel carburatore.

RISOLUZIONE DEI PROBLEMI

Prima di richiedere una riparazione, è opportuno individuare il problema autonomamente. Se viene rilevata un'anomalia, controllare l'utensile secondo le indicazioni nel presente manuale. Non smontare o manomettere le parti diversamente da quanto riportato nelle indicazioni. Per le riparazioni, contattare il centro assistenza autorizzato o il rivenditore di zona.

Stato di anomalia	Probabile causa (problema di funzionamento)	Soluzione
Il motore non si avvia	Impossibile utilizzare la pompa manuale	Premere da 7 a 10 volte
	Velocità di tiraggio ridotta della corda di avviamento	Tirare con forza
	Mancanza di carburante	Rifornire il carburante
	Filtro del carburante ostruito	Pulizia
	Tubo del carburante piegato	Raddrizzare il tubo del carburante
	Carburante deteriorato	Il carburante deteriorato rende difficoltoso l'avviamento. Effettuare la sostituzione. (sostituzione consigliata: 1 mese)
	Aspirazione eccessiva di carburante	Portare la leva dell'acceleratore dalla posizione di velocità media alla posizione di velocità alta e tirare l'impugnatura di avviamento fino a mettere in funzione il motore. Dopo l'avviamento del motore, la lama da taglio inizia a ruotare. Prestare la massima attenzione alla lama da taglio. Se il motore ancora non si avvia, rimuovere la candela, asciugare l'elettrodo e rimontarla come in origine. Procedere quindi all'avviamento come specificato.
	Cappuccio della candela staccato	Attaccarlo saldamente
	Candela contaminata	Pulizia
	Distanza anomala della candela	Regolare la distanza
	Altra anomalia della candela	Sostituzione
	Carburatore anomalo	Richiedere l'ispezione e la manutenzione.
	Impossibile tirare la corda di avviamento	Richiedere l'ispezione e la manutenzione.
	Sistema di trasmissione anomalo	Richiedere l'ispezione e la manutenzione.
Il motore si arresta La velocità del motore non aumenta	Riscaldamento insufficiente	Eseguire l'operazione di riscaldamento
	La leva dell'aria è nella posizione CHIUSA anche se il motore è caldo.	Portarla nella posizione APERTA
	Filtro del carburante ostruito	Pulizia o sostituzione
	Filtro dell'aria ostruito o contaminato	Pulizia
	Carburatore anomalo	Richiedere l'ispezione e la manutenzione.
	Sistema di trasmissione anomalo	Richiedere l'ispezione e la manutenzione.
La lama da taglio non ruota ↓ Arrestare immediatamente il motore	Dato di serraggio della lama da taglio allentato	Serrare saldamente
	Ramoscelli raccolti dalla lama da taglio o dal coperchio anti-dispersione.	Rimuovere i corpi estranei
	Sistema di trasmissione anomalo	Richiedere l'ispezione e la manutenzione.
L'unità principale vibra in modo anomalo ↓ Arrestare immediatamente il motore	Lama da taglio rotta, piegata o usurata	Sostituire la lama da taglio
	Dato di serraggio della lama da taglio allentato	Serrare saldamente
	Parte convessa della lama da taglio e raccordo di supporto della lama da taglio in posizione non corretta.	Attaccarlo saldamente
	Sistema di trasmissione anomalo	Richiedere l'ispezione e la manutenzione.
La lama da taglio non si ferma immediatamente ↓ Arrestare immediatamente il motore	Rotazione al minimo alta	Regolazione
	Filo dell'acceleratore staccato	Attaccarlo saldamente
	Sistema di trasmissione anomalo	Richiedere l'ispezione e la manutenzione.
Il motore non si arresta ↓ Avviare il motore al minimo e portare la levetta dell'aria nella posizione CHIUSA	Connettore staccato	Attaccarlo saldamente
	Sistema elettrico anomalo	Richiedere l'ispezione e la manutenzione.

Se il motore non si avvia dopo un'operazione di riscaldamento:

Se non vengono rilevate anomalie, aprire l'acceleratore di circa 1/3 e avviare il motore.

Hartelijk dank voor uw aankoop van deze benzinebosmaaier van MAKITA. Met trots bevelen wij u deze benzinebosmaaier van MAKITA van harte aan als resultaat van een langdurig ontwikkelingsprogramma en jarenlange kennis en ervaring.




















Lees deze handleiding met daarin nauwkeurige beschrijvingen van de diverse punten die zijn hoogstaande prestaties demonstreren. Hierdoor bent u in staat de best mogelijke resultaten te behalen die de benzinebosmaaier van MAKITA u kan bieden.



Inhoud	Pagina
Symbolen.....	114
Veiligheidsinstructies	115
Technische gegevens	119
Namen van onderdelen	121
De handgreep monteren.....	122
De beschermkap monteren	123
Het snijgarnituur monteren	124
Vóór het begin van het werk	126
Correcte hantering.....	128
Tips voor gebruik en procedure voor stoppen	129
Onderhoudsinstructies.....	131
Opslag	139

SYMBOLEN

Let op de volgende symbolen wanneer u de gebruiksaanwijzing leest.

	Lees de gebruiksaanwijzing en volg de waarschuwingen en veiligheidsvoorzorgsmaatregelen op!		Houd mensen en huisdieren weg van het werkgebied!
	Besteed bijzondere zorg en aandacht!		Draag een veiligheidshelm, gezichts- en gehoorbescherming!
	Verboden!		Toegestaan maximumtoerental
	Houd afstand!		Brandstof (benzine)
	Gevaar voor rondvliegende voorwerpen!		Motor handmatig starten
	Verboden te roken!		Noodstop
	Geen open vuur!		EHBO
	Veiligheidshandschoenen vereist!		AAN/START
	Draag stevige schoenen met antislipzolen. Veiligheidsschoenen met stalen neuzen worden aanbevolen.		UIT/STOP
	Terugslag!		

VEILIGHEIDSINSTRUCTIES

Algemene instructies

- Lees deze gebruiksaanwijzing om u bekend te maken met de juiste manier van omgaan met het gereedschap. Gebruikers die onvoldoende geïnformeerd zijn, lopen de kans zichzelf en anderen in gevaar te brengen als gevolg van onjuist omgaan met het multifunctionele aandrijfsysteem.
- Het verdient aanbeveling het gereedschap uitsluitend uit te lenen aan mensen die bewezen hebben ervaren te zijn. Geef altijd de gebruiksaanwijzing mee.
- Onervaren gebruikers dienen de dealer te vragen om basisinstructies om zichzelf bekend te maken met het omgaan met een bosmaaier.
- Laat geen kinderen of jonge mensen die jonger zijn dan 18 jaar met het gereedschap werken. Jongeren die ouder zijn dan 16 jaar mogen echter het gereedschap gebruiken om te oefenen terwijl ze onder toezicht staan van een gekwalificeerde begeleider.
- Gebruik het gereedschap met de grootst mogelijke zorg en aandacht.
- Gebruik het gereedschap alleen als u in goede lichamelijke conditie bent. Werk altijd rustig en voorzichtig. De gebruiker is aansprakelijk ten opzichte van anderen.
- Gebruik dit gereedschap nooit na het gebruik van alcohol of drugs, of wanneer u zich moe of ziek voelt.
- Het gebruik van het gereedschap kan landelijk gereguleerd zijn.

Bedoeld gebruik van het gereedschap

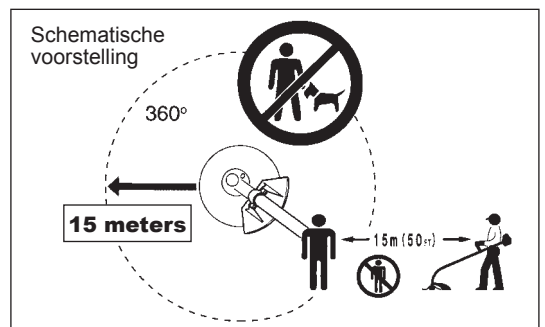
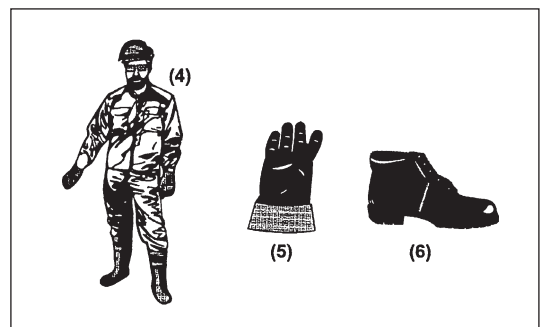
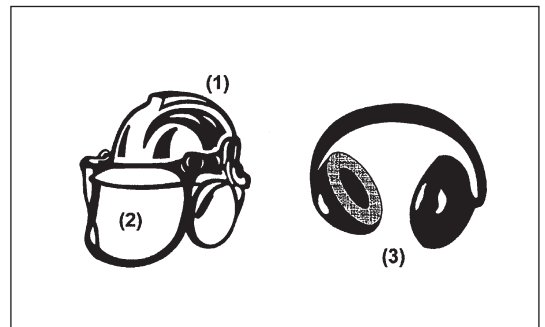
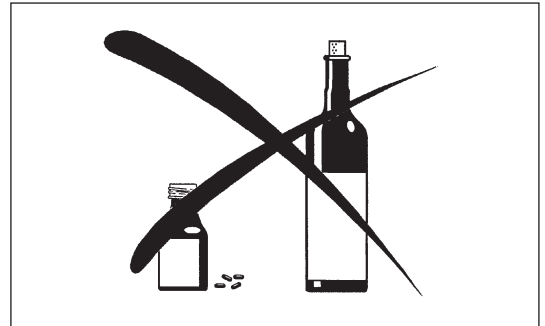
- Het gereedschap is uitsluitend bedoeld voor het maaien van gras, onkruid, struiken en ondergroei. Het mag niet worden gebruikt voor enig ander doel, zoals randen bijwerken of heggen snoeien, aangezien dit tot letsel kan leiden.

Persoonlijke-veiligheidsuitrusting

- De te dragen kleding dient functioneel en geschikt te zijn, d.w.z. nauwsluitend zonder te hinderen. Draag geen juwelen of kleding die in de struiken kunnen verstrikt raken.
- Om tijdens het gebruik letsels aan hoofd, ogen, handen of voeten te voorkomen en uw gehoor te beschermen, moeten de volgende veiligheidsuitrusting en beschermende kleding worden gebruikt terwijl u werkt.
- Draag altijd een helm wanneer het risico bestaat op vallende objecten. U moet de veiligheidshelm (1) regelmatig controleren op schade en uiterlijk na 5 jaar worden vervangen. Gebruik alleen goedgekeurde veiligheidshelmen.
- Het spatscherm (2) van de helm (of de veiligheidsbril) beschermt het gezicht tegen rondvliegend afval en opspringende stenen. Draag tijdens het gebruik altijd een veiligheidsbril of een spatscherm om letsel aan de ogen te voorkomen.
- Draag geschikte uitrusting om u te beschermen tegen het lawaai en gehoorbeschadiging te voorkomen (oorbeschermers (3), oordopjes, enz.).
- Een werkoverall (4) beschermt tegen rondvliegend afval en opspringende stenen. Wij raden u sterk aan een werkoverall te dragen.
- Handschoenen (5) maken deel uit van de voorgeschreven uitrusting en moeten altijd worden gedragen tijdens het gebruik.
- Draag tijdens gebruik van het gereedschap altijd stevige schoenen (6) met een antislipzool. Dit beschermt u tegen letsel en garandeert dat u stevig staat.

De bosmaaier starten

- Controleer of er geen kinderen of andere mensen aanwezig zijn binnen een werkbereik van 15 meter (50 feet) en let ook op of er geen dieren in de werkomgeving zijn.
- Controleer voor gebruik altijd of het gereedschap veilig is om te gebruiken. Controleer de bevestiging van het snijgereedschap, controleer of de gashendel gemakkelijk kan worden bediend, en controleer of de gashendelvergrendeling goed werkt.
- Het snijgereedschap mag niet draaien bij stationair motortoerental. Neem bij twijfel contact op met uw dealer voor afstelling. Controleer of de handgrepen schoon en droog zijn en test de werking van de stopschakelaar.

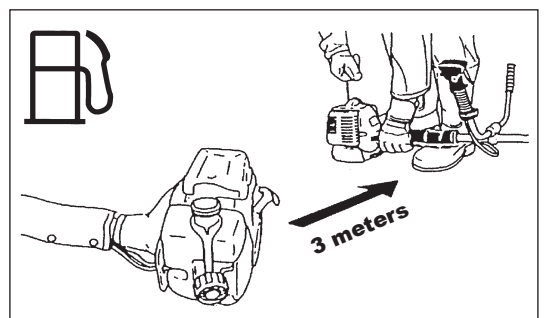
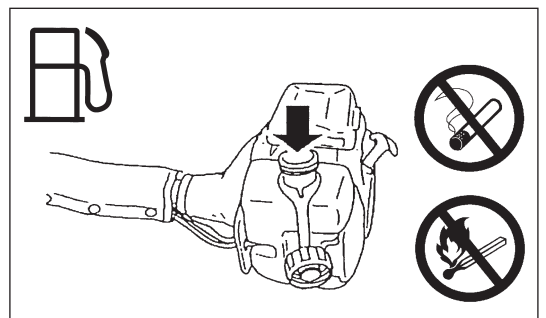
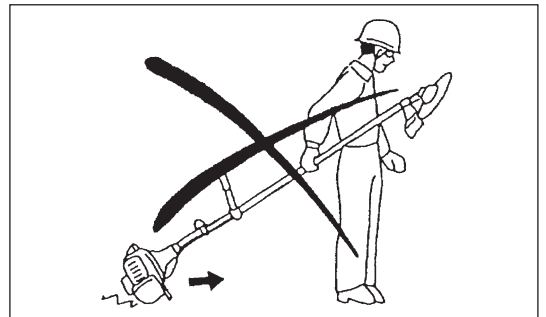
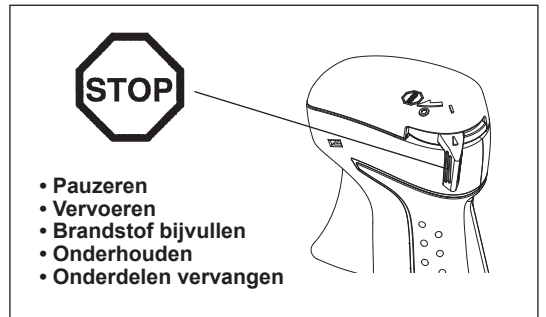
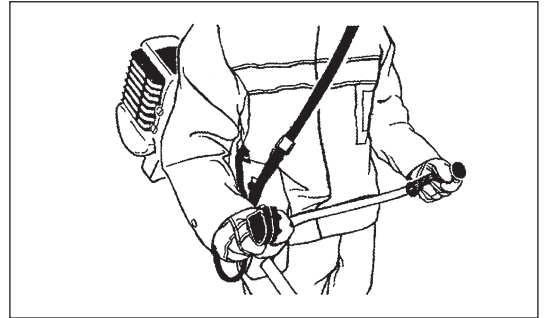
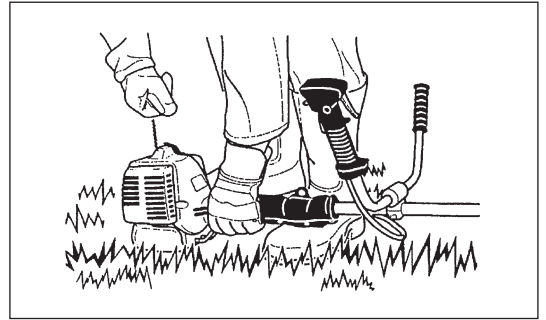


Start de bosmaaier alleen in overeenstemming met de instructies.

- Gebruik geen enkele andere methode om de motor te starten!
- Gebruik de bosmaaier en de gereedschappen uitsluitend voor de beschreven toepassingen.
- Start de motor van de benzinegraskantmaaier alleen nadat deze volledig is gemonteerd. Het gereedschap mag uitsluitend worden gebruikt nadat alle toepasselijke toebehoren zijn gemonteerd!
- Controleer vóór het starten of het snijgarnituur geen contact maakt met harde voorwerpen, zoals takken, stenen, enz., omdat tijdens het starten het snijgarnituur zal ronddraaien.
- De motor moet onmiddellijk uitgeschakeld worden in geval van enige motorstoring.
- Als het snijgarnituur stenen of andere harde voorwerpen raakt, moet u de motor onmiddellijk uitschakelen en het snijgarnituur controleren.
- Controleer het snijgarnituur regelmatig op beschadiging (inspecteren op haarscheurtjes met de klopgeluidentest).
- Nadat tegen het gereedschap is gestoten of het is gevallen, controleert u de conditie van het gereedschap voordat u de werkzaamheden hervat. Controleer het brandstofsysteem op brandstoflekkage, en de bedieningselementen en veiligheidsvoorzieningen op een juiste werking. Als enige beschadiging zichtbaar is of u twijfelt, vraagt u ons erkende servicecentrum om inspectie en reparatie.
- Gebruik het gereedschap alleen terwijl het bevestigd is aan het schouderdraagstel, dat goed moet worden afgesteld voordat de bosmaaier wordt gebruikt. Het is belangrijk het schouderdraagstel af te stellen op de lichaamsgrootte van de gebruiker om vermoeidheid tijdens gebruik te voorkomen. Houd het multifunctionele aandrijfsysteem nooit met slechts één hand vast tijdens het gebruik.
- Houd tijdens gebruik de bosmaaier altijd met twee handen vast. Zorg er altijd voor dat u stevig staat.
- Gebruik het gereedschap zo, dat u geen uitlaatgassen kunt inademen. Laat de motor nooit draaien in een gesloten vertrek (kans op gasverstikking). Koolmonoxide is een geurloos gas.
- Schakel de motor uit tijdens pauzes en wanneer u het gereedschap onbeheerd achterlaat, en leg hem op een veilige plaats om gevaar voor anderen en beschadiging van het gereedschap te voorkomen.
- Leg nooit een warme bosmaaier op droog gras of enige andere ontvlambare materialen.
- Breng altijd een goedgekeurde beschermkap van het snijgarnituur aan op het gereedschap voordat u de motor start. Als u dat niet doet, kan aanraking van het snijgarnituur leiden tot ernstig persoonlijk letsel.
- De hele veiligheidsuitrusting en alle beschermkappen die bij het gereedschap zijn geleverd, moeten tijdens het werk worden gebruikt.
- Gebruik het gereedschap nooit met een defecte uitlaatdemper.
- Schakel de motor uit tijdens het vervoer.
- Wanneer u het gereedschap vervoert, bevestigt u altijd de beschermkap op het snijblad.
- Leg tijdens vervoer per auto het gereedschap op een veilige plaats om te voorkomen dat er brandstof uit lekt.
- Wanneer u het gereedschap vervoert, moet u ervoor zorgen dat de brandstoftank volledig leeg is.
- Let erop dat bij het uitladen van het gereedschap uit de auto de motor niet op de grond valt omdat hierdoor de brandstoftank ernstig kan worden beschadigd.
- Behalve in noodgevallen mag u het gereedschap nooit op de grond laten vallen of weggooien omdat hierdoor het gereedschap zwaar beschadigd kan raken.
- Let erop dat u het volledige gereedschap van de grond tilt wanneer u het verplaatst. Het is bijzonder gevaarlijk de brandstoftank over de grond te slepen en dit zal beschadiging en lekkage veroorzaken die kan leiden tot brand.

Brandstof bijvullen

- Schakel de motor uit alvorens brandstof bij te vullen, blijf uit de buurt van open vuur en rook niet.
- Vermijd huidcontact met minerale-olieproducten. Adem de brandstofdampen niet in. Draag altijd veiligheidshandschoenen tijdens het bijvullen van de brandstof. Zorg dat u de beschermende kleding regelmatig vervangt en reinigt.
- Wees voorzichtig geen brandstof of olie te morsen om bodemverontreiniging te voorkomen (milieubescherming). Reinig de bosmaaier onmiddellijk nadat brandstof erop is gemorst.
- Vermijd dat brandstof in aanraking komt met uw kleding. Kleed u onmiddellijk om als brandstof op uw kleding is gemorst (om te voorkomen dat de kleding vlam vat).
- Inspecteer de brandstofvuldop regelmatig om zeker te zijn dat de dop stevig kan worden aangedraaid en niet lekt.
- Draai de brandstofvuldop stevig vast. Verplaats het gereedschap voordat u de motor start (tenminste 3 meters afstand tot de plaats waar brandstof is bijgevuld.)
- Vul nooit brandstof bij in een gesloten vertrek. Brandstofdampen verzamelen zich vlak boven de vloer (risico van explosie.)
- Vervoer en bewaar brandstof alleen in goedgekeurde tanks. Zorg dat de opgeslagen brandstof niet toegankelijk is voor kinderen.



Gebruiksmethode

- Gebruik het gereedschap alleen bij goed licht en zicht. Wees in de winter bedacht op gladde of natte plaatsen, ijs en sneeuw (gevaar voor uitglijden). Zorg er altijd voor dat u stevig staat.
- Maai nooit boven heuphoogte.
- Werk nooit vanaf een ladder.
- Klim nooit in een boom om daar met het gereedschap te werken.
- Werk nooit op onstabiele oppervlakken.
- Verwijder zand, stenen, nagels, enz. die u binnen uw werkbereik vindt. Vreemde voorwerpen kunnen het snijgarnituur beschadigen en gevaarlijke terugslagen veroorzaken.
- Voordat u begint te maaien, moet het snijgarnituur op maximaal toerental draaien.
- Bij gebruik van een metalen snijblad, zwaait u het gereedschap gelijkmatig in halve cirkels van rechts naar links, zoals een zeis wordt gebruikt. Als gras of takken bekneld raken tussen het snijgarnituur en de beschermkap, zet u altijd de motor uit voordat u ze verwijdert. Als u dat toch doet, kan door onbedoeld draaien van het snijblad ernstig letsel ontstaan.
- Neem een pauze om te voorkomen dat u door vermoeidheid de controle over het gereedschap verliest. Wij adviseren u ieder uur 10 tot 20 minuten te rusten.

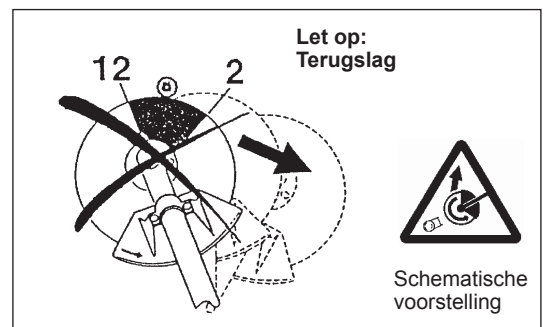


Snijgarnituren

- Gebruik een geschikt snijgarnituur voor de geplande werkzaamheden. Nylondraad-snijkoppen (voor graskantmaaiers) zijn geschikt voor het maaien van een gazon. Metalen snijbladen zijn geschikt voor het maaien van onkruid, hoog gras, struiken, heesters, ondergroei, bosjes en dergelijke. Gebruik nooit andere messenbladen, waaronder metalen meerdelige kettingen en vlegelmessen. Als u dat toch doet, kan ernstig letsel ontstaan.
- Bij gebruik van een metalen snijblad voorkomt u dat terugslag kan optreden en bent u altijd voorbereid op per ongeluk optredende terugslag. Raadpleeg de hoofdstukken "Terugslag" en "Voorkomen van terugslag".

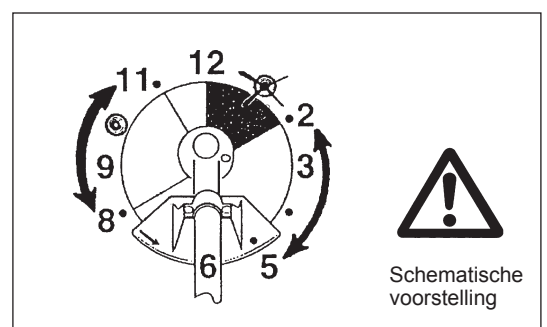
Terugslag (stoot van het snijblad)

- Terugslag (stoot van het snijblad) is een plotselinge reactie op een klemzittend of vastgelopen snijblad. Zodra dit optreedt wordt het gereedschap met grote kracht zijwaarts of in de richting van de gebruiker geworpen en kan het ernstig letsel veroorzaken.
- Terugslag treedt met name op wanneer u met het snijbladsegment tussen 12 en 2 uur tegen een hard voorwerp, struiken en takken met een diameter van 3 cm of meer komt.
- Om terugslag te voorkomen:
 - gebruikt u het snijbladsegment tussen 8 en 11 uur;
 - gebruikt u het snijbladsegment nooit tussen 12 en 2 uur;
 - gebruikt u het snijbladsegment nooit tussen 11 en 12 uur en tussen 2 en 5 uur, behalve indien de gebruiker goed opgeleid en erg ervaren is en dit op zijn/haar eigen verantwoordelijkheid doet;
 - gebruikt u het snijblad nooit dichtbij harde voorwerpen, zoals afrasteringen, muren, boomstammen en stenen, en
 - houdt u het snijblad nooit verticaal voor werkzaamheden zoals het maaien van graskanten of snoeien van heggen.



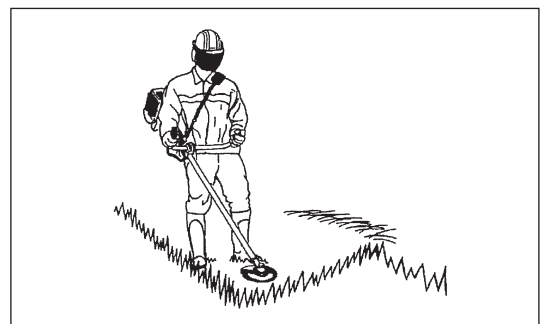
Trillingen

- Personen met een slechte bloedsomloop die worden blootgesteld aan sterke trillingen, kunnen verwondingen aan bloedvaten of het zenuwstelsel oplopen. Trillingen kunnen de volgende symptomen veroorzaken in de vingers, handen of polsen: "slapen" (ongevoeligheid), tintelingen, pijn, stekend gevoel, veranderen van huidskleur of van de huid. Als een van deze symptomen zich voordoet, raadpleegt u uw huisarts!
- Om de kans op deze "witte-vingerziekte" te verkleinen, houdt u uw handen warm tijdens het werk en onderhoudt u het gereedschap en de accessoires goed.



Onderhoudsinstructies

- Laat uw gereedschap onderhouden door ons erkende servicecentrum dat altijd uitsluitend gebruikmaakt van originele vervangingsonderdelen. Onjuiste reparatie en slecht onderhoud kan de levensduur van het gereedschap verkorten en de kans op ongevallen vergroten.
- De toestand van de maaier, met name van het snijgarnituur en de veiligheidsuitrusting, naast het schouderdraagstel, moeten worden gecontroleerd voor aanvang van de werkzaamheden. Besteed bijzondere aandacht aan snijbladen, die correct moeten worden geslepen.
- Schakel de motor uit en trek de bougiekap eraf wanneer u het snijgarnituur vervangt of slijpt, en wanneer u de maaier of het snijgarnituur schoonmaakt.



Probeer nooit beschadigde snij- of zaagmessen recht te trekken of te lassen.

- Denk aan het milieu. Vermijd onnodig gebruik van de gashendel zodat minder uitlaatgassen en geluid worden geproduceerd. Stel de carburateur goed af.
- Maak het gereedschap regelmatig schoon en controleer of alle bouten en moeren stevig zijn vastgedraaid.
- Onderhoud of bewaar het gereedschap niet in de buurt van open vuur.
- Bewaar het gereedschap altijd in een afgesloten ruimte en met een lege brandstoftank.
- Wanneer u het gereedschap reinigt, onderhoudt of opbergt, bevestigt u altijd de beschermkap op het snijblad.



Volg de relevante instructies voor het voorkomen van ongevallen die door de relevante beroepsverenigingen en verzekeringsmaatschappijen zijn uitgegeven.

Breng geen wijzigingen aan het gereedschap aan, omdat hiermee uw veiligheid gevaar loopt.

Het uitvoeren van onderhoud of reparaties door de gebruiker is beperkt tot de activiteiten die in de gebruiksaanwijzing zijn beschreven. Alle andere werkzaamheden moet worden uitgevoerd door een erkend servicecentrum. Gebruik uitsluitend originele vervangingsonderdelen en accessoires die zijn vervaardigd en geleverd door MAKITA.

Het gebruik van niet-goedgekeurde accessoires en gereedschappen leidt tot een verhoogde kans op ongevallen.

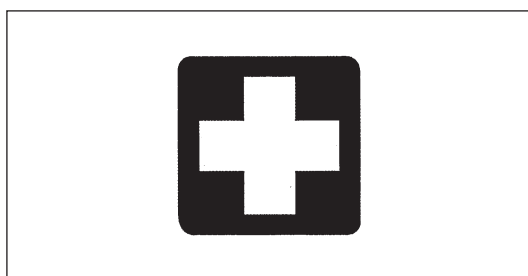
MAKITA aanvaardt geen enkele aansprakelijkheid voor ongevallen of schade veroorzaakt door het gebruik van niet-goedgekeurde snijmessen, bevestigingsmiddelen voor snijmessen of accessoires.

EHBO

Zorg dat er altijd een EHBO-does beschikbaar is in de buurt waar er wordt gemaaid om eerste hulp te bieden bij eventuele ongevallen. Vervang onmiddellijk elk item dat uit de EHBO-does is genomen.

Geef de volgende informatie wanneer u hulp inroept:

- Plaats van het ongeval
- Beschrijving van het ongeval
- Aantal gewonden
- Soort letsels
- Uw naam



Alleen voor Europese landen

EU-verklaring van conformiteit

De EU-verklaring van conformiteit is opgenomen als Bijlage A in deze instructiehandleiding.

TECHNISCHE GEGEVENS

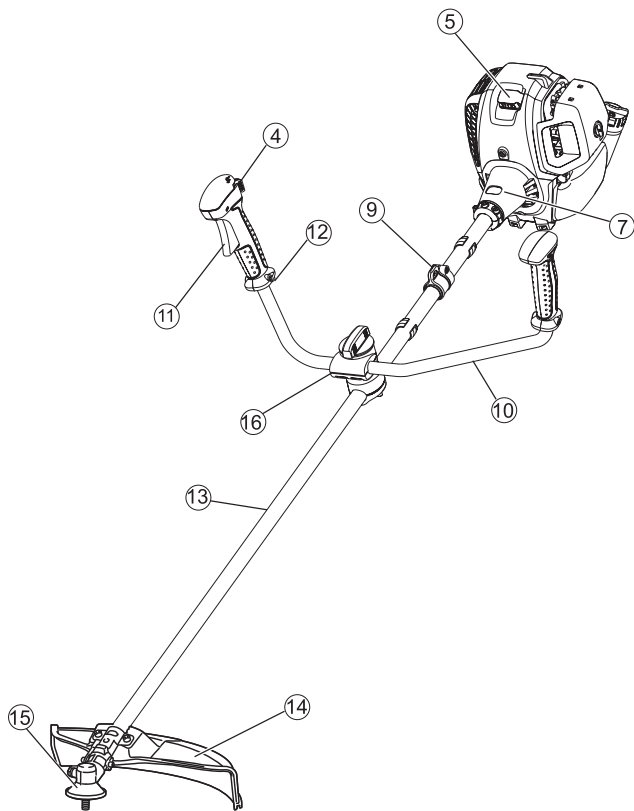
Model		EM2650UH	EM2650UHN	EM2650LH	EM2650LHN	
Type handgreep		Fietsstuurhandgreep		Beugelhandgreep		
Afmetingen: lengte x breedte x hoogte (zonder snijgarnituur) mm		1.765 x 620 x 474		1.765 x 330 x 264		
Gewicht (zonder kunststofbeschermer en snijgarnituur) kg		5,6		5,3		
Volume (brandstoftank) l		0,6				
Volume (olietank) l		0,08				
Cilinderinhoud cm ³		25,4				
Maximaal motorvermogen kW		0,77 bij 7.000 min ⁻¹				
Motortoerental bij aanbevolen maximaal astoerental min ⁻¹		10.000				
Maximaal astoerental (bijbehorend) min ⁻¹		7.400				
Stationair toerental min ⁻¹		3.000				
Toerental op aangrijppunt van koppeling min ⁻¹		3.900				
Carburator		Membraantype				
Ontstekingsstelsel		Contactloos, magneettipe				
Bougie type		NGK CMR4A				
Elektrodenafstand mm		0,7 - 0,8				
Trillingen volgens ISO 22867	Rechterhandgreep (Achterste handvat)	a _{hv eq} m/s ²	3,4	—	6,5	5,0
		Onzekerheid K m/s ²	0,6	—	2,3	1,3
	Linkerhandgreep (Voorste handvat)	a _{hv eq} m/s ²	4,5	—	6,7	6,4
		Onzekerheid K m/s ²	0,6	—	1,9	1,4
Gemiddeld geluidsdrukkniveau volgens ISO 22868		L _{PA eq} dB (A)	96,6	—	96,6	91,6
		Onzekerheid K dB (A)	0,9	—	0,9	3,1
Gemiddeld geluidsvermogenkniveau volgens ISO 22868		L _{WA eq} dB (A)	105,5	—	105,5	101,6
		Onzekerheid K dB (A)	1,3	—	1,3	2,0
Brandstof		Benzine voor auto's				
Motorolie		Olie van API-classificatie SF-klasse of beter, of olie SAE 10W-30 (4-taktmotorolie voor auto's)				
Snijgarnituren (diameter snijblad) mm		230				
Overbrengingsverhouding van tandwielen		14/19				

TECHNISCHE GEGEVENS

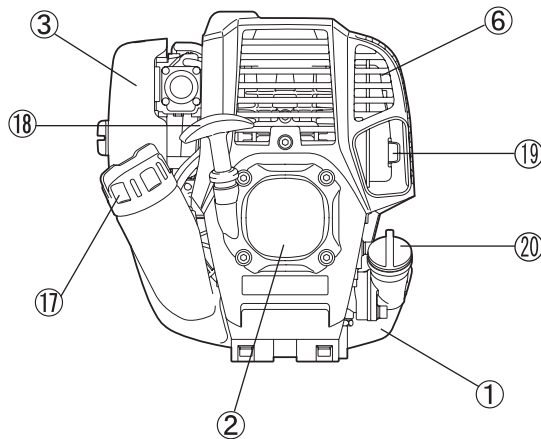
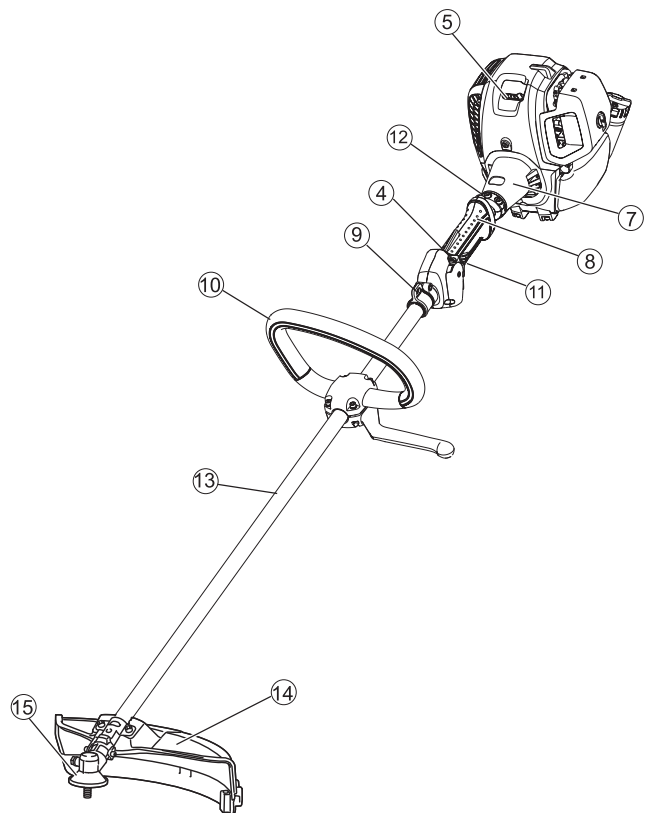
Model		EM2651UH	EM2651LH	
Type handgreep		Fietsstuurhandgreep	Beugelhandgreep	
Afmetingen: lengte x breedte x hoogte (zonder snijgarnituur) mm		1.765 x 620 x 474	1.765 x 330 x 264	
Gewicht (zonder kunststofbeschermkap en snijgarnituur) kg		5,8	5,3	
Volume (brandstoftank) l		0,6		
Volume (olietank) l		0,08		
Cilinderinhoud cm ³		25,4		
Maximaal motorvermogen kW		0,77 bij 7.000 min ⁻¹		
Motortoerental bij aanbevolen maximaal astoerental min ⁻¹		10.000		
Maximaal astoerental (bijbehorend) min ⁻¹		7.400		
Stationair toerental min ⁻¹		3.000		
Toerental op aangrijppunt van koppeling min ⁻¹		3.900		
Carburator		Membraantype		
Ontstekingssysteem		Contactloos, magneettipe		
Bougie type		NGK CMR4A		
Elektrodenafstand mm		0.7 - 0.8		
Trillingen volgens ISO 22867	Rechterhandgreep (Achterste handvat)	a _{hv eq} m/s ²	3,3	5,7
		Onzekerheid K m/s ²	0,8	1,2
	Linkerhandgreep (Voorste handvat)	a _{hv eq} m/s ²	4,3	6,0
		Onzekerheid K m/s ²	1,6	1,8
Gemiddeld geluidsdrukkniveau volgens ISO 22868		L _{PA eq} dB (A)	96,6	
		Onzekerheid K dB (A)	0,9	
Gemiddeld geluidsvermogenniveau volgens ISO 22868		L _{WA eq} dB (A)	105,5	
		Onzekerheid K dB (A)	1,3	
Brandstof		Benzine voor auto's		
Motorolie		Olie van API-classificatie SF-klasse of beter, of olie SAE 10W-30 (4-taktmotorolie voor auto's)		
Snijgarnituren (diameter snijblad) mm		230		
Overbrengingsverhouding van tandwielen		14/19		

NAMEN VAN ONDERDELEN

**EM2650UH
EM2650UHN
EM2651UH**



**EM2650LH
EM2650LHN
EM2651LH**



NL	NAMEN VAN ONDERDELEN
1	Brandstoftank
2	Trekstartinrichting
3	Luchtfilter
4	Stopschakelaar (stoppen - bedrijf)
5	Bougie
6	Uitlaatdemper
7	Koppelingshuis
8	Achterste handvat
9	Bevestigingssoog
10	Handgreep
11	Gashendel
12	Gaskabel
13	Schacht
14	Beschermkap (beschermkap van snijgarnituur)
15	Tandwielhuis
16	Handgreepbevestiging
17	Brandstofvuldop
18	Trekstarthandgreep
19	Uitlaatpijp
20	Oliepeilstok

DE HANDGREEP MONTEREN

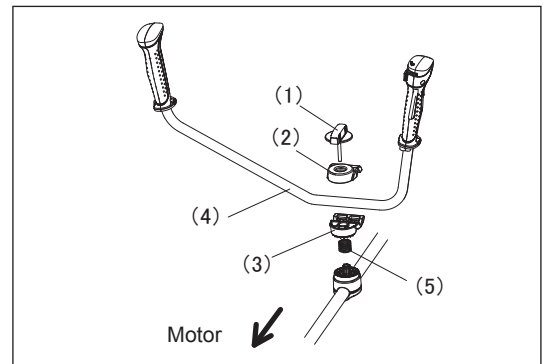
LET OP: Voordat u werkzaamheden uitvoert aan de benzinebosmaaier, moet u altijd de motor uitschakelen en de bougiekap van de bougie aftrekken.
Draag altijd veiligheidshandschoenen!

LET OP: Start de benzinebosmaaier pas nadat deze geheel in elkaar is gezet.

Voor gereedschappen met een fietsstuur-type handgreep

- Draai knop (1) los.
- Plaats de handgreep (4) tussen de handgreepklem (2) en de handgreepvoet (3).
- Stel de handgreep (4) af onder een hoek die u een comfortabele werkhouding biedt en zet deze daarna vast door de knop (1) met de hand vast te draaien.

LET OP: Vergeet niet om de veer (5) te plaatsen.

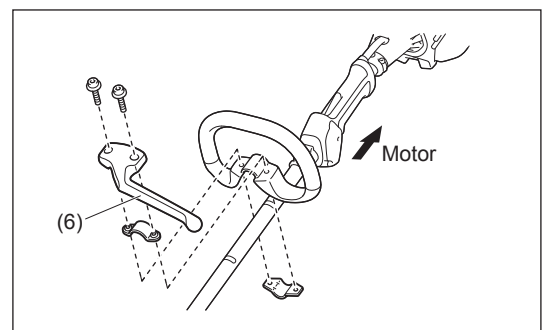
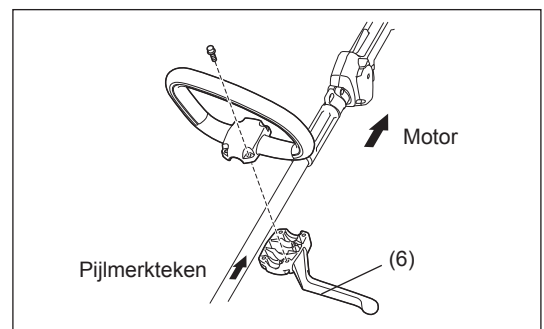


Voor gereedschappen met een rond-type handgreep

- Monteer een eindstuk (6) aan de linkerkant van het gereedschap tezamen met de handgreep ter bescherming van de gebruiker.
- Zorg ervoor dat de handgreep/bescherming wordt gemonteerd tussen de afstandshouder en de pijlmarkeringen.

WAARSCHUWING: Verwijder of verklein de afstandshouder niet. De afstandshouder zorgt voor een bepaalde afstand tussen beide handen. Als de handgreep/bescherming dichterbij het andere handvat zou staan dan de lengte van de afstandshouder, kunt u de controle over het gereedschap verliezen waardoor ernstig persoonlijk letsel kan ontstaan.

Opmerking: In bepaalde landen kan de handgreep van het type zonder bescherming zijn.



DE BESCHERMKAP MONTEREN

WAARSCHUWING:

Gebruik het gereedschap altijd in combinatie met goedgekeurde beschermende hulpmiddelen. Als u dat niet doet, kan aanraking van een snijgarnituur leiden tot ernstig letsel.

LET OP:

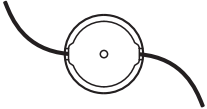
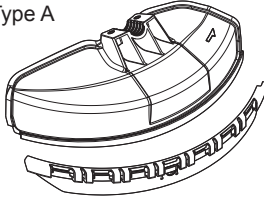
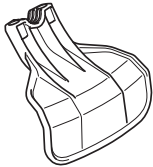
Draai de linker- en rechterbout gelijkmatig aan zodat de opening tussen de klem en de beschermkap constant blijft. Als u dit niet doet is het mogelijk dat de beschermkap niet werkt zoals verwacht.

In naleving van de toepasselijke veiligheidsregels mogen uitsluitend de gereedschap/beschermkap-combinaties worden gebruikt die in de afbeelding worden aangegeven.

Het metalen snijblad gebruiken

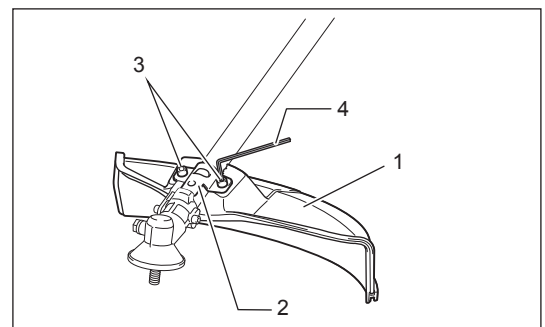
Metalen snijblad	Klemring, beker en moer zijn vereist	Beschermkap
		

De nylondraad-snijkop gebruiken

Nylondraad-snijkop	Beschermkap	
		

Voor metalen snijblad

Monteer de beschermkap van type A (1) met behulp van twee bouten M6 x 25 (3) en de inbussleutel 5 (4) op de klem (2).



Voor nylondraad-snijkop (voor beschermkap van type A)

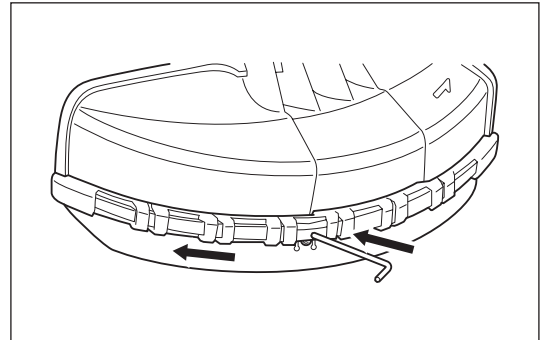
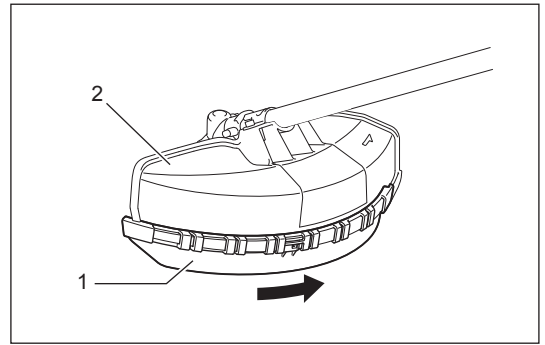
LET OP:

Duw het beschermkapopzetstuk (1) erop tot deze geheel op zijn plaats zit. Anders kan het beschermkapopzetstuk eraf vallen waardoor persoonlijk letsel kan ontstaan.

LET OP:

Wees voorzichtig uzelf niet te verwonden aan het mesje voor het afsnijden van de nylondraad.

1. Monteer de beschermkap met behulp van twee bouten M6 x 25 op de klem.
2. Monteer het beschermkapopzetstuk (1) door deze op zijn plaats te schuiven vanaf de zijkant van de beschermkap van het metalen snijblad (2).
3. Verwijder de beschermtape vanaf het mesje, dat de nylondraad moet afsnijden, op het beschermkapopzetstuk.
4. Om het beschermkapopzetstuk te verwijderen, plaatst u een inbussleutel 4 in de uitsparing in de beschermkap van het metalen snijblad, duwt u deze naar binnen en verschuift u tegelijkertijd het beschermkapopzetstuk.

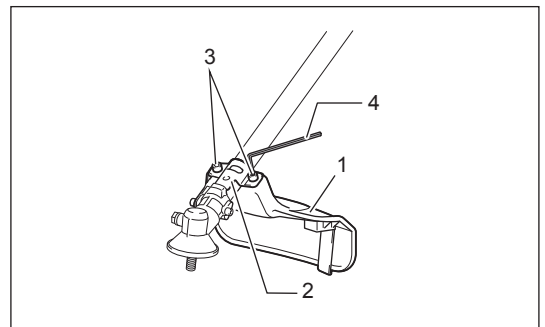


Voor nylondraad-snijkop (voor beschermkap van type B)

LET OP:

Wees voorzichtig uzelf niet te verwonden aan het mesje voor het afsnijden van de nylondraad.

Monteer de beschermkap (1) met behulp van twee bouten M6 x 25 (3) en de inbussleutel 5 (4) op de klem (2).



HET SNIJGARNITUUR MONTEREN

LET OP:

Verzeker u ervan uitsluitend originele snijbladen of nylondraad-snijkoppen van MAKITA te gebruiken.

- Het snijblad moet goed geslepen zijn en vrij zijn van barsten of breuken. Als het snijblad een steen raakt tijdens het gebruik, moet u de motor onmiddellijk uitschakelen en het blad controleren.
- Slijp of vervang het snijblad na elke drie uur gebruik.
- Als de nylondraad-snijkop tijdens het gebruik een steen raakt, moet u de motor onmiddellijk uitschakelen en de nylondraad-snijkop controleren.

LET OP:

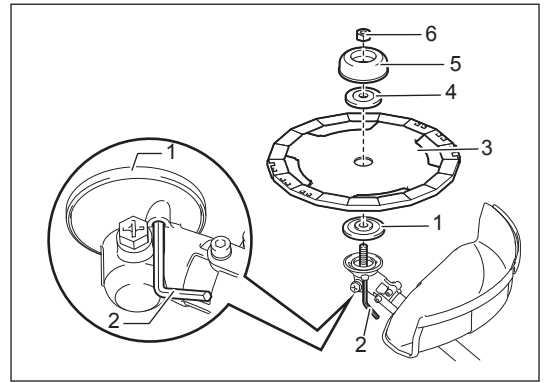
De buitendiameter van het snijblad moet 230 mm (9 - 1/16") zijn. Gebruik nooit snijbladen met een buitendiameter groter dan 230 mm (9 - 1/16"). Draai het gereedschap ondersteboven zodat u het metalen snijblad of de nylondraad-snijkop gemakkelijk kunt vervangen.

Het metalen snijblad aanbrengen

LET OP:

Draag altijd handschoenen en plaats de snijbladbeschermer op het metalen snijblad wanneer u het snijblad hanteert.

1. Plaats de ontvangerring (1) op de as.
2. Steek de inbusleutel 4 (2) in de opening van het tandwielhuis en draai de ontvangerring (1) met de inbusleutel tot deze vergrendeld wordt.
3. Plaats het metalen snijblad (3) op de schacht zodat de nok op de ontvangerring (1) past in de uitsparing in het asgat van het metalen snijblad.
4. Plaats de klemring (4) en beker (5), en zet het snijblad vast door de moer (6) linksom te draaien. [Aanhaalkoppel: 13 - 23 Nm]
5. Na het aanbrengen van het metalen snijblad, verwijder u de inbusleutel.

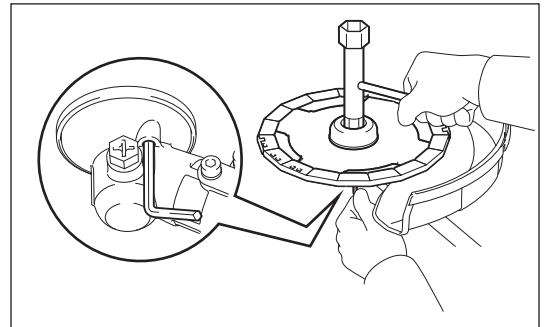


Om het metalen snijblad te verwijderen, gaat u als volgt te werk:

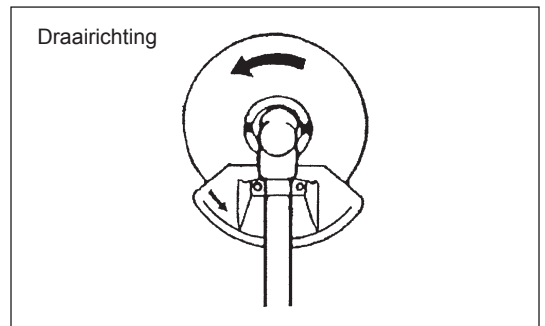
1. Steek de inbusleutel in de opening van het tandwielhuis en draai de ontvangerring met de inbusleutel tot deze wordt vergrendeld.
2. Draai de moer rechtsom los met de dopsleutel en verwijder de moer, beker, klemring en inbusleutel.

OPMERKING:

De bevestigingsmoer van het snijblad (met veerring) verslijt na verloop van tijd. Als u slijtage of vervorming van de veerring opmerkt, moet u de moer vervangen.

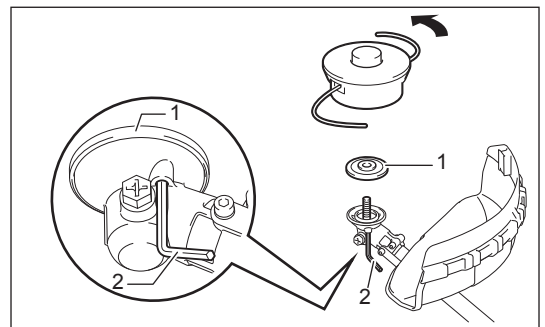


Zorg ervoor dat het snijblad met de goede kant omhoog wijst voor linksom draaien.



De nylondraad-snijkop aanbrengen

1. Plaats de ontvangerring (1) op de as.
2. Steek de inbusleutel (2) in de opening van het tandwielhuis en draai de ontvangerring (1) met de inbusleutel tot deze vergrendeld wordt.
3. Schroef daarna de nylondraad-snijkop op de as door deze linksom te draaien.
4. Na het aanbrengen van de nylondraad-snijkop, verwijder u de inbusleutel.



VÓÓR HET BEGIN VAN HET WERK

Controleren en bijvullen van de motorolie

- Voer de volgende procedure uit bij koude motor.
- Plaats de motor horizontaal, draai de olievuldop eraf (zie afb. 1) en controleer of het oliepeil tussen de inwendige randen voor de boven- en ondergrens van het oliepeil staat (zie afb. 2).
- Vul motorolie bij tot aan de markering van de bovengrens als er te weinig motorolie in zit (het oliepeil is dicht bij de ondergrens) (zie afb. 3).
- Het gebied tussen de markeringen op de buitenkant is doorzichtig zodat het oliepeil van buitenaf kan worden gecontroleerd zonder de olievuldop eraf te hoeven draaien. Echter, wanneer de oliebuis erg vuil is geworden, kan deze ondoorzichtig zijn en moet het oliepeil worden gecontroleerd aan de hand van de inwendige randen binnenin de oliebuis.
- Ter informatie, na ongeveer iedere 10 bedrijfsuren moet olie worden bijgevuld (10 keer of 10 tanks met bijgevoelde olie).
Als de olie door vuil van kleur is veranderd, ververst u de vuile olie door nieuwe. (Raadpleeg pagina 131 voor informatie over de verversingsinterval en verversingsprocedure.)

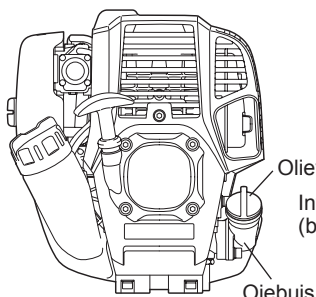
Aanbevolen olie: SAE 10W-30 olie van API-classificatie, SF-klasse of beter (4-taktmotorolie voor auto's)

Hoeveelheid olie: Ongeveer 0,08 liter

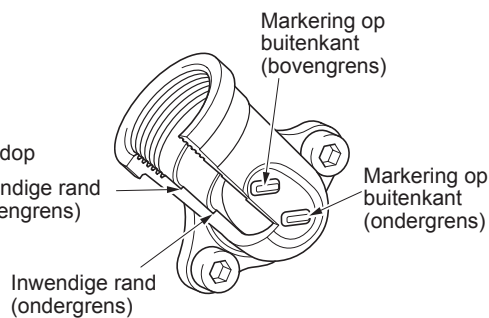
Opmerking: Als de motor niet horizontaal wordt gehouden, kan de olie binnenin de motor terecht komen en te veel worden bijgevuld. Als de olie tot boven het bovenste merkteken wordt bijgevuld, kan de olie gemorst worden en vlam vatten waarbij witte rook vrijkomt.

Tip 1 bij het verversen van de olie: "Oliepeilstok"

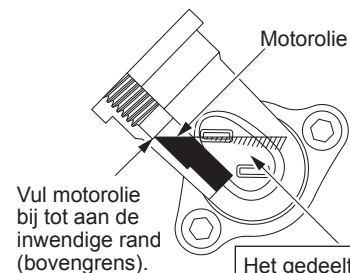
- Verwijder stof of vuil rondom de olievulopening en draai de oliepeilstok eruit.
- Zorg ervoor dat geen zand of stof op de oliepeilstok komt. Als dit toch gebeurt, kan het zand of stof dat aan de oliepeilstok kleeft leiden tot een onregelmatige oliecirculatie of slijtage van de motoronderdelen, waardoor storingen kunnen ontstaan.



Afbeelding 1



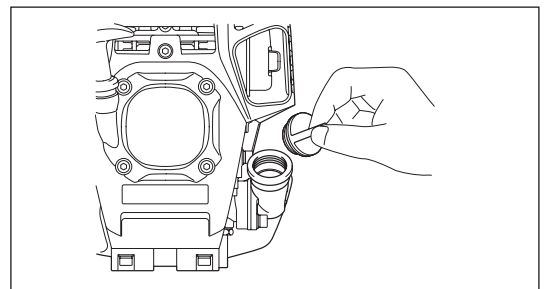
Afbeelding 2 Oliebuis



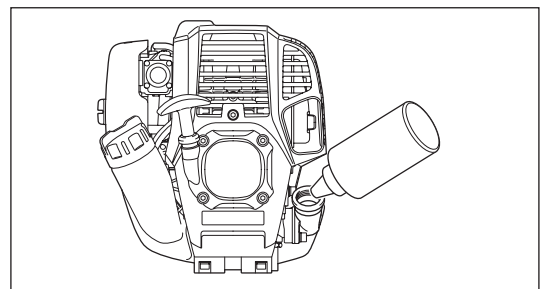
Afbeelding 3

Het gedeelte tussen de markeringen op de buitenkant voor de boven- en ondergrens is doorzichtig zodat u van buitenaf kunt controleren of het oliepeil tussen de markeringen staat.

(1) Houd de motor horizontaal en draai de olievuldop eraf.



(2) Vul motorolie bij tot aan de markering van de bovengrens (Zie afbeelding 3). Gebruik voor het bijvullen een oliefles.



(3) Draai de olievuldop stevig vast. Bij onvoldoende vastdraaien kan olie eruit lekken.

Opmerking

- Ververs de olie niet terwijl de motor in een gekantelde stand staat.
- Olie bijvullen terwijl de motor gekanteld is, leidt tot te veel bijvullen waardoor olievervuiling en/of witte rook ontstaat.

Tip 2 bij het verversen van de olie: "Olielekkage"

- Als olie eruit lekt tussen de brandstoftank en het motorblok, wordt de olie via de koelluchtinlaatopening naar binnen gezogen waardoor de motor verontreinigd raakt. Veeg gelekte olie af voordat u met het werk begint.

BRANDSTOF BIJVULLEN

Omgaan met brandstof

Het is noodzakelijk uiterst voorzichtig om te gaan met brandstof. Brandstof kan stoffen bevatten die ook in oplosmiddelen voorkomen. Het bijvullen van brandstof moet gebeuren in een vertrek met een voldoende goede ventilatie of in de open lucht. Adem nooit brandstofdampen in en houd afstand tot de brandstof. Als uw huid herhaaldelijk in aanraking komt met brandstof gedurende een lange tijd, wordt uw huid droog, waardoor een huidziekte of allergie kan ontstaan. Als brandstof in uw oog komt, spoelt u uw oog uit met schoon water. Als uw oog daarna blijft irriteren, raadpleegt u een dokter.

Bewaartermijn van brandstof

Brandstof dient binnen een periode van 4 weken te worden opgebruikt, ook wanneer de brandstof wordt bewaard in een speciale jerrycan op een goed geventileerde plaats in de schaduw.

Als geen speciale jerrycan wordt gebruikt, of als de brandstof in een open bak wordt bewaard, kan de brandstof binnen één dag verslechteren.

OPSLAG VAN MAAIER EN JERRYCAN

- Bewaar de maaier en jerrycan op een koele plaats uit direct zonlicht.
- Bewaar de brandstof nooit in de passagiersruimte of bagageruimte van een auto.

Brandstof

De motor is een viertaktmotor. Gebruik uitsluitend benzine voor auto's (normale benzine of superbenzine).

Tips voor het omgaan met brandstof

- Gebruik nooit mengsmering, waarin motorolie zit. Als u dat doet, zal buitensporige koolafzetting of mechanische storing optreden.
- Als verslechterde olie wordt gebruikt, zal dat leiden tot onregelmatig starten.

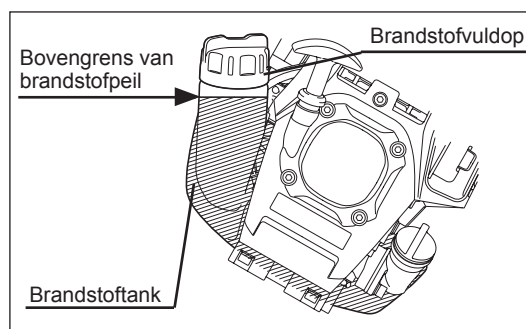
Brandstof bijvullen

WAARSCHUWING: STRENG VERBODEN VOOR ONTBRANDBARE MATERIALEN

Gebruikte benzine: Benzine voor auto's (loodvrije benzine)

- Draai de brandstofvuldop een klein stukje los zodat een verschil in luchtdruk wordt opgeheven.
- Draai de brandstofvuldop eraf, vul brandstof bij en laat de lucht uit de brandstoftank stromen door de brandstoftank iets te kantelen zodat de brandstofvulopening recht omhoog wijst. (Vul nooit brandstof bij via de olievlopening.)
- Veeg rondom de brandstofvuldop goed schoon om te voorkomen dat vreemde stoffen in de brandstoftank kunnen vallen.
- Na het bijvullen van brandstof draait u de brandstofvuldop weer vast.

- Als enige onvolkomenheid of schade aan de brandstofvuldop wordt geconstateerd, moet deze worden vervangen.
- De brandstofvuldop is een verbruiksartikel en moet daarom iedere twee tot drie jaar worden vervangen.



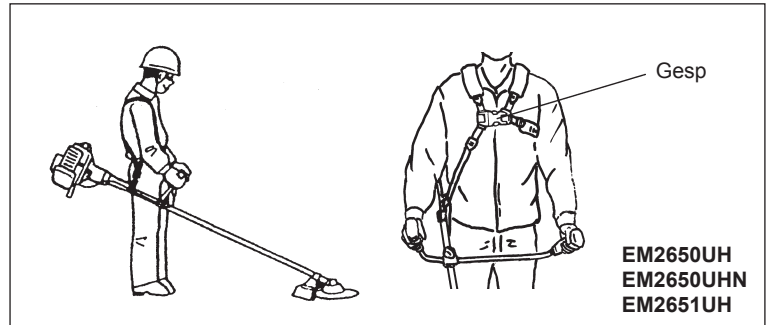
CORRECTE HANTERING

De schouderriem bevestigen

- Pas de lengte van de schouderriem zo aan, dat het snijblad parallel aan de grond kan worden gehouden.

Voor de modellen EM2650UH, EM2650UHN en EM2651UH

OPMERKING: Wees voorzichtig dat kleding, enz. niet verstrikt raakt in de gesp.

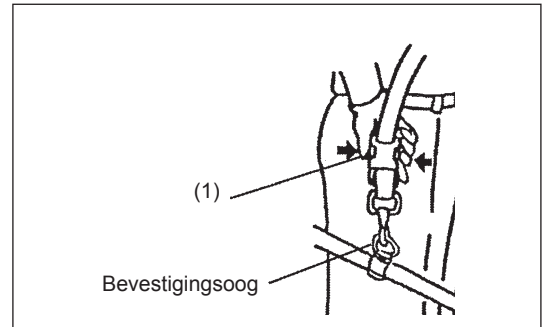


Losmaken

Voor de modellen EM2650LH en EM2651LH

- In geval van nood, druk de knoppen (1) aan beide zijanten in zodat het gereedschap los komt van uw lichaam.
Let er goed op dat u op dat moment de controle over het gereedschap behoudt. Zorg ervoor dat het gereedschap zich niet in uw richting of in de richting van iemand die in de buurt staat beweegt.

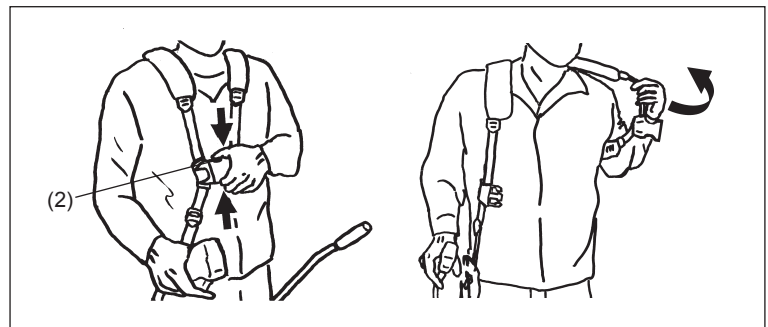
WAARSCHUWING: Als u geen complete controle over het gereedschap behoudt, kan dit ernstige lichamelijke letsels of de DOOD veroorzaken.



Voor de modellen EM2650UH, EM2650UHN en EM2651UH

- In geval van nood, druk de knoppen (2) aan beide zijanten in zodat het gereedschap los komt van uw lichaam.
Let er goed op dat u op dat moment de controle over het gereedschap behoudt. Zorg ervoor dat het gereedschap zich niet in uw richting of in de richting van iemand die in de buurt staat beweegt.

WAARSCHUWING: Als u geen complete controle over het gereedschap behoudt, kan dit ernstige lichamelijke letsels of de DOOD veroorzaken.

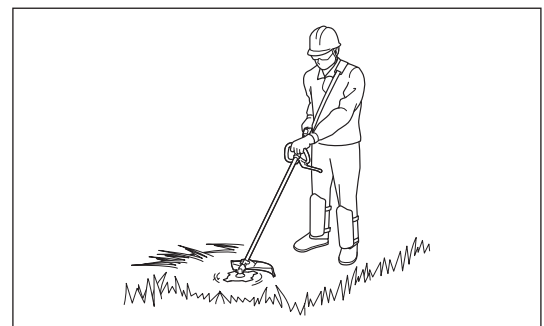


WAARSCHUWING:

Plaats het gereedschap altijd tegen uw rechterzij. Een correcte plaatsing van het gereedschap geeft een maximale controle over het gereedschap en verkleint de kans op ernstig persoonlijk letsel veroorzaakt door terugslag.

WAARSCHUWING:

Let er goed op dat u op te allen tijde de controle over het gereedschap behoudt. Zorg ervoor dat het gereedschap zich niet in uw richting of in de richting van iemand die in de buurt staat beweegt. Als u de controle over het gereedschap verliest, kan dat leiden tot ernstig letsel van de gebruiker en omstanders.



Gebruik van de nylondraad-snijkop

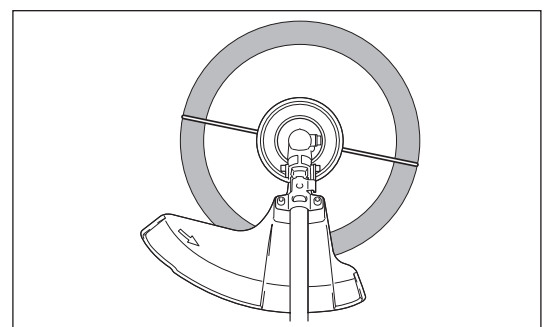
De nylondraad-snijkop is een dubbele-draadkop uitgerust met een stoot-aanvoermechanisme.

Om ervoor te zorgen dat de nylondraad aangevoerd wordt, stoot u de snijkop op de grond terwijl deze ronddraait.

Het meest effectieve maaigebied wordt weergegeven door het gearceerde deel.

OPMERKING:

Als de nylondraad niet wordt aangevoerd wanneer de snijkop op de grond wordt getikt, volgt u de procedures die zijn beschreven onder "ONDERHOUDSINSTRUCTIES" om de nylondraad opnieuw op te wikkelen of te vervangen.



TIPS VOOR GEBRUIK EN PROCEDURE VOOR STOPPEN

Volg de toepasselijke voorschriften voor ongevalpreventie!

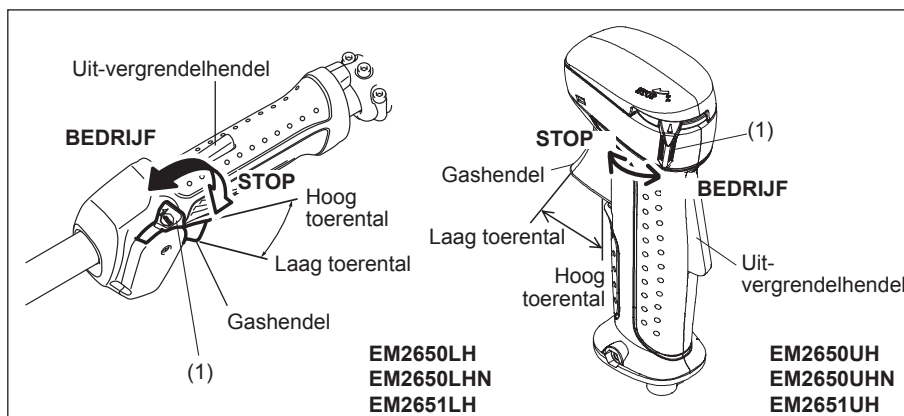


STARTEN

Houd tenminste 3 meters afstand tot de plaats waar brandstof is bijgevuld. Plaats de benzinebosmaaier op een schoon stuk grond en zorg ervoor dat de snijgarnituur de grond of andere voorwerpen niet raakt.

A: Startprocedure bij koude motor

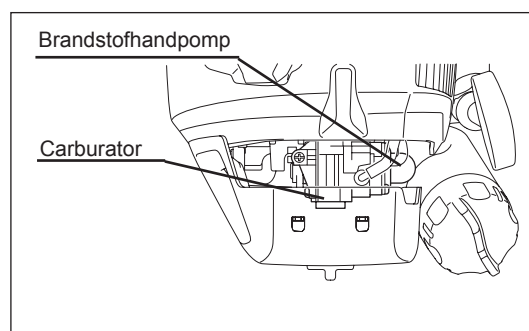
- 1) Plaats het gereedschap op een vlakke ondergrond.
- 2) Zet de stopschakelaar (1) in de stand I (bedrijf).



- 3) Brandstofhandpomp

Blijf op de brandstofhandpomp drukken tot de brandstof in de brandstofhandpomp stroomt. (Over het algemeen stroomt de brandstof in de brandstofhandpomp na 7 tot 10 keer duwen.)

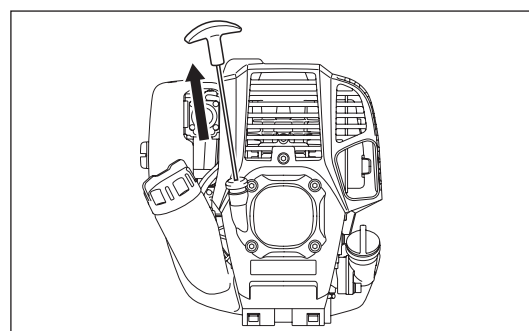
Als te vaak op de brandstofhandpomp wordt gedrukt, vloeit het overschot aan brandstof terug naar de brandstoftank.



- 4) Trekstartinrichting

Trek voorzichtig aan de trekstarthandgreep tot u weerstand voelt (compressiepunt). Laat de trekstarthandgreep terugtrekken en trek er vervolgens krachtig aan.

Trek nooit door tot aan het einde van het trekstartkoord. Nadat aan de trekstarthandgreep is getrokken, mag u hem niet onmiddellijk loslaten. Houd de trekstarthandgreep vast tot het trekstartkoord is opgewonden in de trekstartinrichting.



- 5) Opwarmen

Laat de motor gedurende 2 tot 3 minuten opwarmen.

Opmerking: In geval van een overmatige brandstoftoevoer, verwijdert u de bougie en trekt u langzaam aan de trekstarthandgreep om overtollige brandstof te verwijderen. Maak ook het elektrodengedeelte van de bougie droog.

Opgelet tijdens gebruik:

Als de gashendel volledig wordt ingeknepen tijdens onbelast bedrijf, neemt het motortoerental toe tot meer dan 10.000 toeren min⁻¹ of meer. Laat de motor nooit draaien op een hoger toerental dan nodig is en met een toerental van 6.000 tot 8.500 toeren min⁻¹.

B: Startprocedure bij warme motor

- 1) Druk herhaaldelijk op de brandstofhandpomp.
- 2) Laat de chokehendel in de stand voor stationair draaien staan.
- 3) Trek krachtig aan de trekstarthandgreep.
- 4) Als de motor moeilijk te starten is, zet u de chokehendel ongeveer 1/3 open. Let goed op het snijblad dat kan gaan draaien.

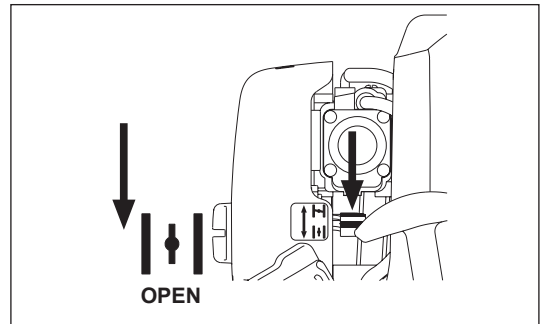
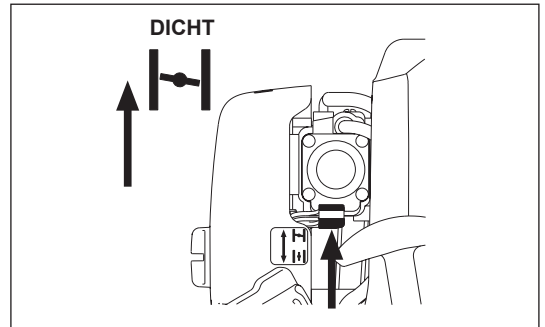
Wanneer de motor moeilijk te starten is, zoals in de winter

Gebruik de chokehendel volgens de volgende procedure om de motor te starten.

- Nadat de stappen 1) tot en met 3) van de startprocedure zijn uitgevoerd, zet u de chokehendel in de dichte stand.
- Voer stap 4) van de startprocedure uit en start de motor.
- Nadat de motor is gestart, zet u de chokehendel in de geopende stand.
- Voer stap 5) van de startprocedure uit en voltooi het opwarmen.

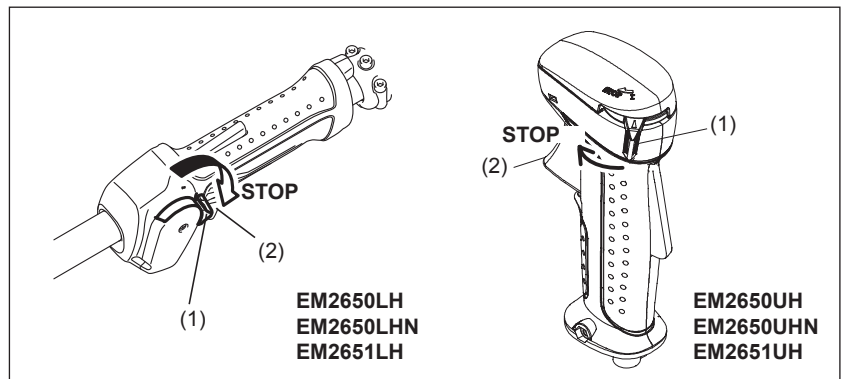
LET OP: Wanneer een dreun (geluid van een explosie) wordt gehoord en de motor afslaat, of de zojuist gestarte motor afslaat voordat de chokehendel wordt bediend, zet u de chokehendel terug in de geopende stand, en trekt u weer enkele keren aan de trekstarthandgreep om de motor te starten.

LET OP: Als de chokehendel in de dichte stand blijft staan en alleen enkele keren aan de trekstarthandgreep wordt getrokken, wordt te veel brandstof aangezogen en zal de motor moeilijk te starten zijn.



STOPPEN

- 1) Laat de gashendel (2) volledig los en, nadat het motortoerental is afgenomen, duw de stopschakelaar (1) naar de stand "STOP" om de motor uit te schakelen.
- 2) Bedenk dat het snijgarnituur wellicht niet onmiddellijk stopt en laat het volledig uitdraaien.



HET LAAG TOERENTAL (VOOR STATIONAIR DRAAIEN) AFSTELLEN

Als het nodig is het laag toerental (voor stationair draaien) af te stellen, doet u dit met behulp van de stelschroef op de carburator.

HET LAAG TOERENTAL CONTROLEREN

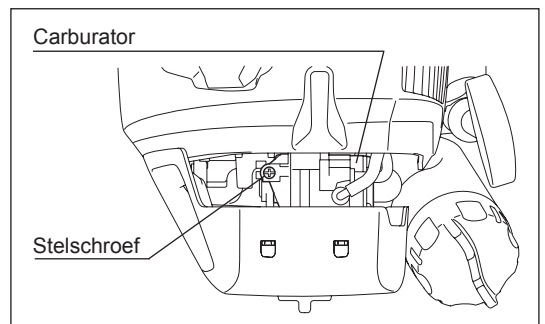
LET OP:

Het snijgarnituur kan ronddraaien tijdens het afstellen van de carburateur. Draag uw veiligheidsuitrusting en houd u aan alle veiligheidsinstructies. Let erop dat het snijgarnituur stilstaat tijdens stationair draaien.

LET OP:

Wanneer het gereedschap is uitgeschakeld, let u erop dat het snijgarnituur tot stilstand is gekomen voordat u het gereedschap neerlegt.

- Stel het laag toerental af op 3.000 toeren min^{-1} . Als het nodig is het laag toerental af te stellen, draait u de stelschroef (rechts afgebeeld) met een kruiskopschroevendraaier.
- Draai de stelschroef rechtsom om het motortoerental te verhogen. Draai de stelschroef linksom om het motortoerental te verlagen.
- De carburator is over het algemeen goed afgesteld vóór aflevering aan de klant. Mocht het toch nodig zijn deze opnieuw af te stellen, neemt u contact op met een erkend servicecentrum.



ONDERHOUDSINSTRUCTIES

LET OP: Voordat u werkzaamheden uitvoert aan de benzinebosmaaier, moet u altijd de motor uitschakelen en de bougiekap van de bougie aftrekken (zie "De bougie controleren").
Draag altijd veiligheidshandschoenen!

Om een lange levensduur te garanderen en eventuele schade aan het gereedschap te voorkomen, moeten de volgende onderhoudswerkzaamheden regelmatig uitgevoerd worden.

Dagelijkse controle en onderhoud

- Controleer het gereedschap voor het gebruik op losse bouten of ontbrekende onderdelen. Let vooral op of het snijblad of de nylondraad-maaikop stevig is bevestigd.
- Controleer voor gebruik altijd op verstopping van de koelluchtinlaatopening en de koelribben van de cilinder. Maak deze plaatsen zo nodig schoon.
- Voer de volgende werkzaamheden dagelijks uit na het gebruik:
 - Reinig de buitenkant van de benzinebosmaaier en inspecteer op beschadigingen.
 - Maak het luchtfilter schoon. Als onder extreem stoffige omstandigheden wordt gewerkt, moet het filter meerdere keren per dag worden gereinigd.
 - Controleer het snijblad of de nylondraad-maaikop op beschadigingen en controleer of het snijblad of de maaikop stevig bevestigd is.
 - Controleer of er voldoende verschil is tussen het stationair toerental en het aangrijptoerental om zeker te zijn dat het snijgarnituur stilstaat wanneer de motor stationair draait (verlaag zo nodig het stationair toerental).
In het geval het snijgarnituur bij stationair toerental blijft draaien, neemt u contact op met het dichtstbijzijnde erkende servicecentrum.
- Controleer de werking van de stopschakelaar, de uit-vergrendelhendel, de gashendel, en de vergrendelingsknop.

Het metalen snijblad slijpen

LET OP:

Het metalen snijblad mag alleen worden geslepen door een erkend servicecentrum. Het handmatig slijpen zal resulteren in onbalans van het snijgarnituur, waardoor trillingen kunnen ontstaan en het gereedschap schade kan oplopen.

OPMERKING: Om de levensduur van het snijblad te verlengen, kan dit eenmalig worden omgekeerd, totdat beide snijranden bot zijn geworden.

MOTOROLIE VERVERSEN

Verslechterde motorolie verkort sterk de levensduur van de bewegende delen van de motor. Controleer het verversingsinterval en de bijvulhoeveelheid.



LET OP: Over het algemeen zijn de motor zelf en de motorolie heet kort nadat de motor is uitgeschakeld. Alvorens de motorolie te verversen, controleert u op de motor zelf en de motorolie voldoende zijn afgekoeld. Als u dit niet doet, bestaat de kans op verbranding.

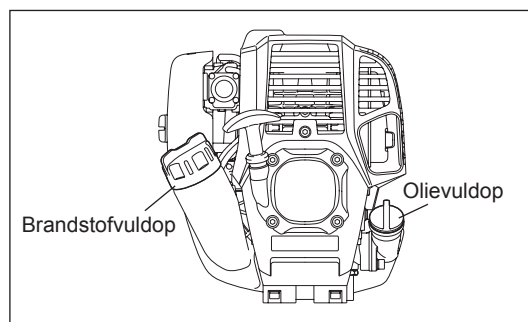
Opmerking: Als de olie tot boven het bovenste merkteken wordt bijgevuld, kan de olie gemorst worden en vlam vatten waarbij witte rook vrijkomt.

Verversingsinterval: In eerste instantie iedere 20 bedrijfsuren, en daarna iedere 50 bedrijfsuren

Aanbevolen olie: SAE 10W-30 olie van API-classificatie, SF-klasse of beter (4-taktmotorolie voor auto's)

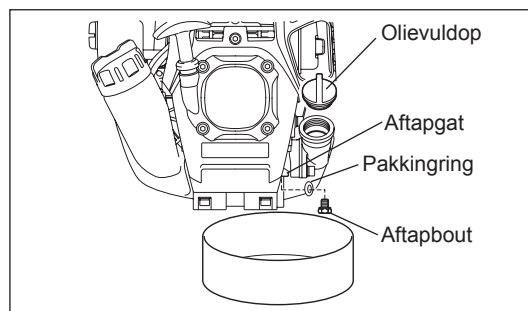
Volg de onderstaande procedure om de olie te verversen.

- 1) Controleer of de brandstofvuldop stevig vastgedraaid is.
- 2) Plaats een grote opvangbak (pan, enz.) onder het aftapgat.



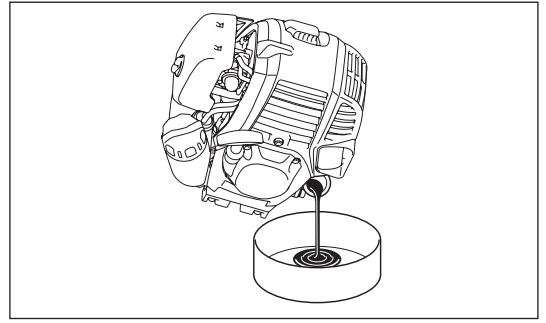
- 3) Verwijder de aftapbout en draai daarna de olievuldop eraf om de motorolie af te tappen uit het aftapgat. Wees hierbij voorzichtig de pakkingring van de aftapbout niet kwijt te raken en de verwijderde onderdelen niet vuil te maken.

- 4) Nadat de motorolie is afgetapt, draait u de aftapbout met daarop de pakkingring stevig vast, zodat deze niet kan losraken en gaan lekken.
* Gebruik een poetsdoek om de motorolie die aan de aftapbout en het gereedschap zit volledig af te vegen.

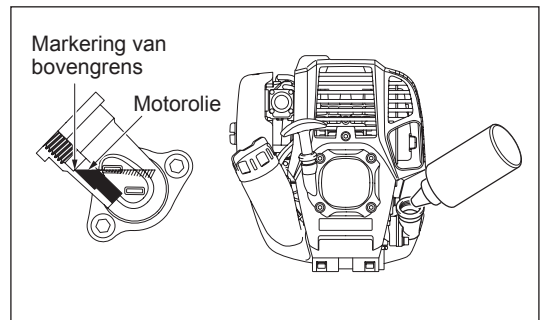
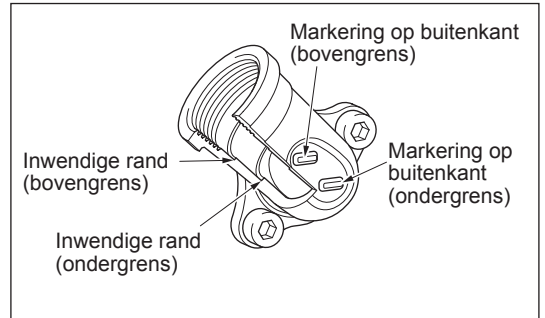


Alternatieve methode voor het aftappen van de motorolie

Draai de olievuldop eraf en kantel de benzinebosmaaier zodat dat de olievulopening onder zit. Vang de motorolie op in een opvangbak.



- 5) Plaats de motor horizontaal en vul geleidelijk nieuwe motorolie bij tot aan de markering van de bovengrens.
- 6) Draai na het bijvullen de olievuldop stevig vast, zodat deze niet kan losraken en gaan lekken. Als de olievuldop niet stevig wordt vastgedraaid, kan deze gaan lekken.



TIPS VOOR HET OMGAAN MET OLIE

- Gooi verbruikte motorolie nooit weg met het afval, op de grond, of in een rioolput. Het weggooien van olie is bij wet geregeld. Houd u bij het weggooien altijd aan de betreffende wetten en regelgeving. In het geval u hierover vragen heeft, neemt u contact op met een erkend servicecentrum.
- Olie verslechtert, ook wanneer de olie niet wordt gebruikt. Controleer en ververs de olie regelmatig (ververs de olie iedere 6 maanden).

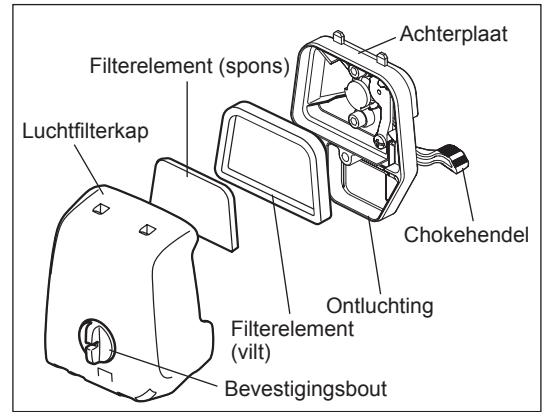
HET LUCHTFILTER REINIGEN



WAARSCHUWING: STRENG VERBODEN VOOR ONTBRANDBARE MATERIALEN

Controle- en reinigingsinterval: Dagelijks (iedere 10 bedrijfsuren)

- Zet met de chokehendel de choke helemaal dicht en houd de carburator vrij van stof of vuil.
- Draai de bevestigingsbout los.
- Verwijder de luchtfilterkap door aan de onderkant te trekken.
- Verwijder de luchtfilterelementen en tik ertegen om het vuil te verwijderen.
- Als de luchtfilterelementen zwaar verontreinigd zijn:
Verwijder de luchtfilterelementen, dompel ze in warm water of in een oplossing van een mild schoonmaakmiddel in water, en droog ze grondig. Knijp er niet in en wrijf er niet over tijdens het wassen.
- Alvorens de luchtfilterelementen terug te plaatsen, moeten deze grondig droog zijn. Als de luchtfilterelementen onvoldoende droog worden teruggeplaatst, kan dat leiden tot moeilijk starten.
- Veeg olie die rondom de luchtfilterkap en de ontluchting zit af met een poetsdoek.
- Plaats het filterelement (spons) in het filterelement (vilt).
Plaats de filterelementen zodanig in de achterplaat dat de spons aan de kant van de luchtfilterkap zit.
- Plaats de luchtfilterkap onmiddellijk terug en zet hem vast met de bevestigingsbouten. (Plaats bij het monteren eerst de bovenrand en daarna de onderrand.)



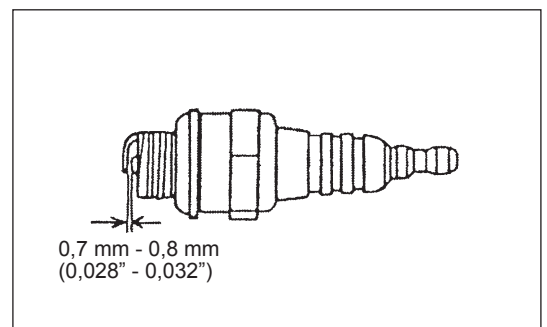
OPMERKING:

- Reinig de luchtfilterelementen meerdere keren per dag als onder extreem stoffige omstandigheden wordt gewerkt. Vervuilde luchtfilterelementen verlagen het motorvermogen en bemoeilijken het starten van de motor.
- Verwijder de olie op de luchtfilterelementen. Als u blijft doorwerken terwijl de luchtfilterelementen vervuild zijn met olie, kan de olie buiten het luchtfilter terechtkomen en tot milieuverontreiniging leiden.
- Plaats de luchtfilterelementen niet op de grond of op een vieze plaats. Er kan dan vuil of rommel aan blijven plakken waardoor de motor kan worden beschadigd.
- Gebruik nooit brandstof om de luchtfilterelementen te reinigen. Ze kunnen door de brandstof worden beschadigd.

DE BOUGIE CONTROLEREN

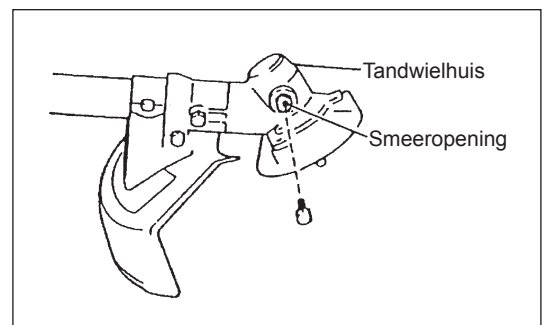
- Gebruik alleen de bijgeleverde moersleutel om de bougie te verwijderen of te installeren.
- De afstand tussen de twee elektroden van de bougie moet 0,7 tot 0,8 mm (0,028" - 0,032") bedragen. Als de afstand te groot of te klein is, moet u deze aanpassen. Als de elektroden van de bougie verstopt of vervuild zijn, moet u deze grondig schoonmaken of de bougie vervangen.

LET OP: Raak de bougiekap nooit aan terwijl de motor draait (gevaar op elektrische schok door hoogspanning).



HET TANDWIELHUIS SMEREN

- Breng elke 30 bedrijfsuren smeervet (Shell Alvania 2 of gelijkwaardig) aan in het tandwielhuis via de smeeroening. (Origineel MAKITA-smeervet kan worden aangeschaft bij uw MAKITA-dealer.)



HET BRANDSTOFFILTER REINIGEN

WAARSCHUWING: STRENG VERBODEN VOOR ONTBRANDBARE MATERIALEN

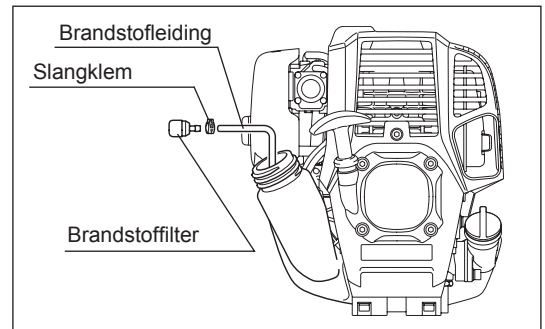
Controle- en reinigingsinterval: Maandelijks (iedere 50 bedrijfsuren)

Zuigkop in brandstoftank

Controleer het brandstoffilter regelmatig. Volg de onderstaande stappen om het brandstoffilter te controleren.

- (1) Verwijder de brandstoftankvuldop en tap de brandstof af totdat de brandstoftank leeg is. Controleer de binnenkant van de brandstoftank op eventuele vreemde stoffen. Als u iets vindt, verwijdt u dit.
- (2) Gebruik een draadhaak om de zuigkop uit de brandstofvulopening te trekken.
- (3) Als het brandstoffilter enigszins verstopt is, reinigt u het. Om het te reinigen, schudt u het en tikt u ertegen in de brandstof. Om beschadiging te voorkomen, knijpt u er niet in en wrijft u er niet over. De brandstof die is gebruikt voor het reinigen moet worden weggegooid volgens de methode beschreven in de regelgeving van uw land.
Als het brandstoffilter hard of ernstig verstopt is, vervangt u het.
- (4) Na het controleren, reinigen of vervangen van het brandstoffilter, duwt u het zo ver mogelijk omlaag tot onderin de brandstoftank.

Een verstopt of beschadigd brandstoffilter kan leiden tot onvoldoende brandstoftoevoer en minder motorvermogen. Vervang het brandstoffilter ten minste iedere drie maanden om verzekerd te zijn van een goede brandstoftoevoer naar de carburateur.



DE BRANDSTOFLEIDING VERVERGEN

LET OP: STRENG VERBODEN VOOR ONTBRANDBARE MATERIALEN

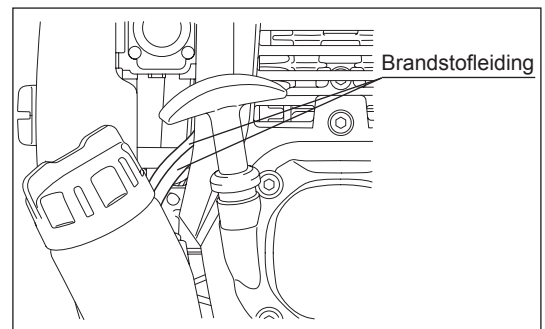
Controle- en reinigingsinterval: Dagelijks (iedere 10 bedrijfsuren)

Vervanging: Jaarlijks (iedere 200 bedrijfsuren)

Vervang de brandstofleiding ieder jaar, ongeacht de gebruiksfrequentie.

Brandstoflekkage kan brand veroorzaken.

Als tijdens de inspectie een lekkage wordt gevonden, vervangt u de brandstofleiding onmiddellijk.



DE BOUTEN, MOEREN EN SCHROEVEN INSPECTEREN

- Draai losse bouten, moeren, enz., weer vast.
- Controleer op brandstof- en olielekkage.
- Vervang beschadigde onderdelen door nieuwe voor een veilig gebruik.

DE ONDERDELEN REINIGEN

- Houd de motor altijd schoon.
- Houd de koelribben van de cilinder vrij van stof en vuil. Stof en vuil dat zich tussen de koelribben ophoopt, zal leiden tot het vastlopen van de zuiger.

DE AFDICHTINGEN EN PAKKINGEN VERVERGEN

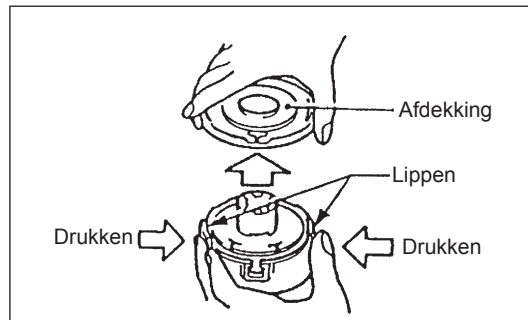
Nadat de motor uit elkaar is gehaald, moeten bij het weer in elkaar zetten altijd de afdichtingen en pakkingen worden vervangen door nieuwe. Alle onderhouds- of aanpassingswerkzaamheden die niet in deze gebruiksaanwijzing zijn beschreven, mogen alleen worden uitgevoerd door erkende servicecentra.

De nylondraad vervangen

(Voor ultra auto 4)

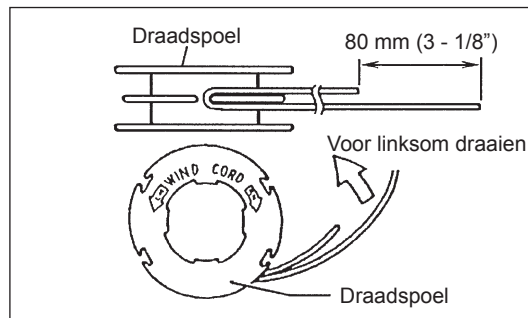
Schakel eerst de motor uit.

Druk de lippen van de behuizing naar binnen om de afdekking eraf te tillen en verwijder vervolgens de draadspool.

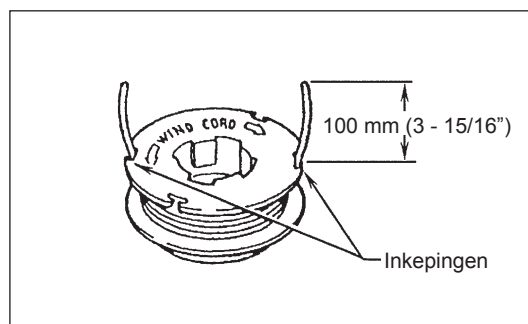


Haak het midden van de totale lengte van de nieuwe nylondraad in het midden van de draadspool en zorg ervoor dat één uiteinde ongeveer 80 mm (3 - 1/8") langer is dan het andere.

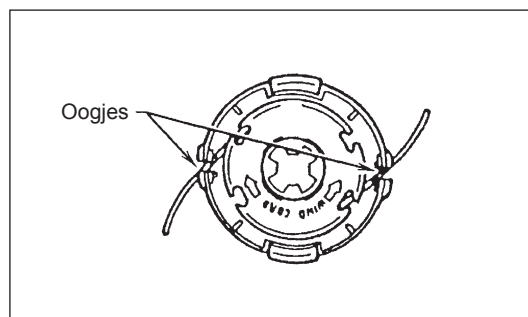
Wikkel vervolgens beide draadhelften rond de draadspool in de draairichting van de maaikop (de wikkelrichting linksom wordt aangegeven door de pijl LH, en de wikkelrichting rechtsom wordt aangegeven door de pijl RH op de zijkant van de draadspool).



Wikkel op 100 mm (3 - 15/16") na de volledige lengte van de nylondraad op de draadspool, en haak de uiteinden tijdelijk in de inkeping in de zijkant van de draadspool.

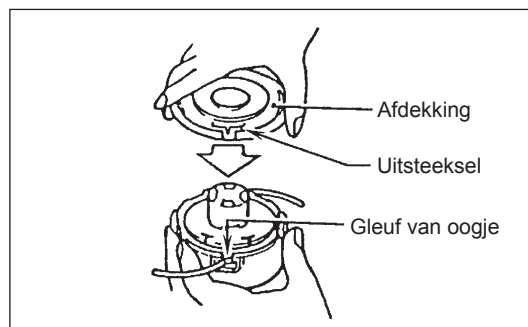


Plaats de draadspool zodanig in de behuizing dat de groeven en uitsteeksels op de draadspool overeenkomen met die in de behuizing. Zorg ervoor dat de zijkant van de draadspool waarop de letters staan naar buiten wijst. Maak nu de uiteinden van de nylondraad los uit hun tijdelijke positie en voer de nylondraden door de oogjes zodat ze uit de behuizing steken.



Lijn de uitsteeksels op de onderkant van de afdekking uit met de gleuven van de oogjes.

Duw daarna de afdekking stevig op de behuizing om deze te bevestigen.

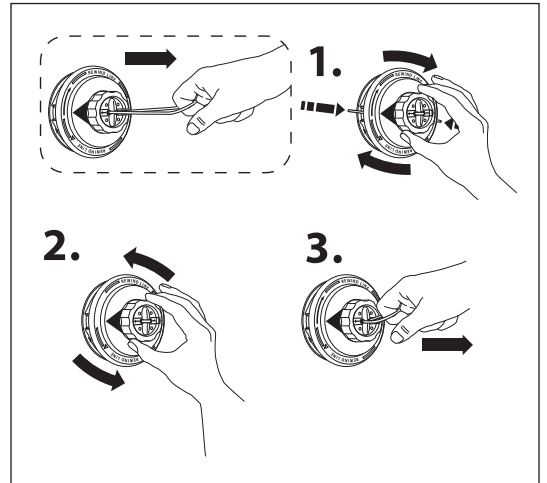


(Voor Proulx)

Schakel eerst de motor uit.

Houd het huis stevig vast en draai de spoel rechtsom totdat het resterende nylondraad teruggetrokken wordt in het huis, en draai heen en weer om de spanning van de nylondraad af te halen.

Pak de lus bovenop de spoel beet en trek hem van de spoel af.



Bereid een nylondraad voor met de volgende specificaties.

Lengte van 4,5 m

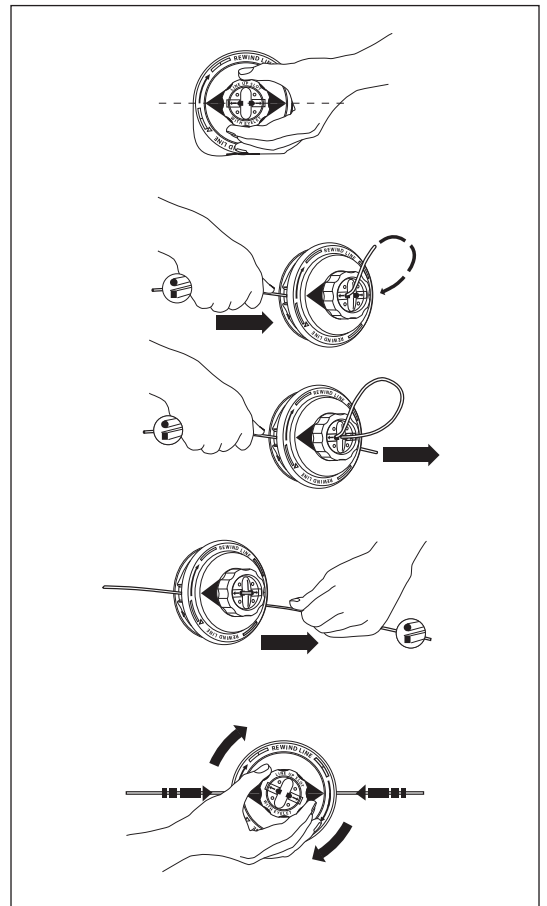
Ronde nylondraad met diameter van 2,4 mm of vierkante nylondraad met diagonaal 2,0 mm.

Lijn de pijl op de spoel uit met de oogjes in het huis.

Steek een uiteinde van de nylondraad in het oogje in de zijkant van het huis, voer het door het gat bovenop de spoel en steek het daarna in het tweede gat bovenop de spoel. Voer de nylondraad door de gaten tot het uiteinde uit het oogje in de tegenoverliggende zijkant van het huis komt.

Voer de nylondraad net zo lang door de oogjes in de zijkant van het huis totdat de nylondraad even lang is aan beide kanten.

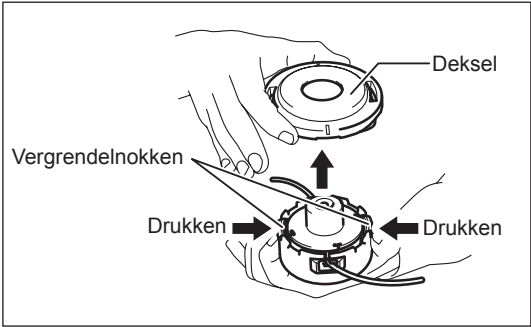
Houd het huis stevig vast en draai de spoel rechtsom om de nylondraad op de spoel te wikkelen.



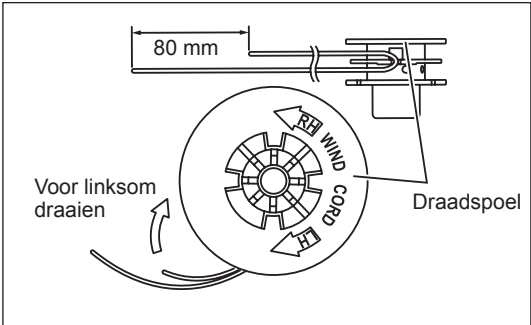
(Voor B&F4 / Z5)

WAARSCHUWING: Controleer of het deksel van de nylondraad-snijkop goed op de behuizing is bevestigd, zoals hieronder beschreven. Als u het deksel niet stevig bevestigt, kan de nylondraad-snijkop uit elkaar vliegen en ernstig persoonlijk letsel veroorzaken.

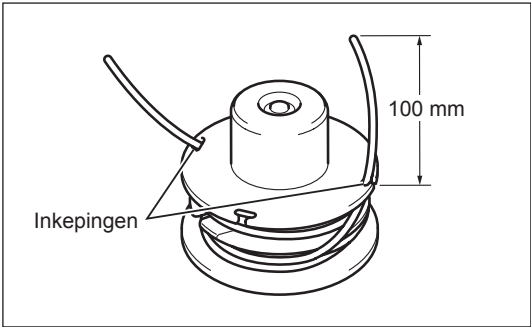
Druk de vergrendelnokken van de behuizing naar binnen om het deksel eraf te tillen.
Gooi eventueel resterende nylondraad weg.



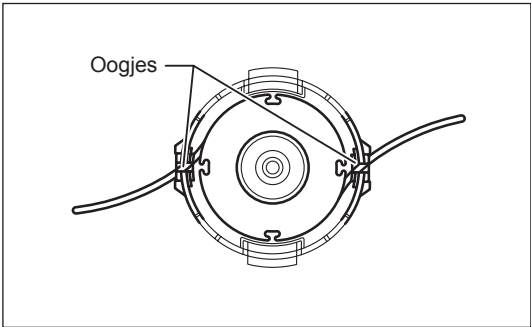
Haak het midden van de nieuwe nylondraad in de inkeping in het midden van de draadspoel tussen de 2 kanalen waarin de nylondraad moet worden opgewikkeld. Eén uiteinde van de nylondraad moet ongeveer 80 mm langer zijn dan het andere uiteinde.
Wikkel beide uiteinden stevig op de draadspoel in de richting aangegeven op de snijkop met LH voor linkersom draaien.



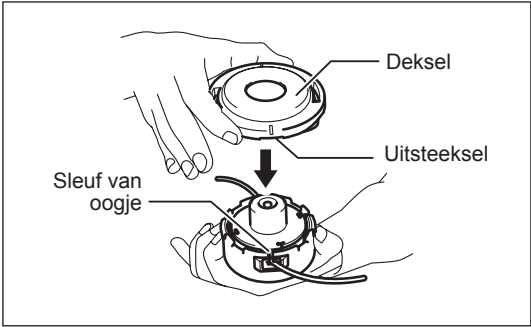
Wikkel op 100 mm na de volledige lengte van de nylondraad op de draadspoel, en haak de uiteinden tijdelijk in de inkeping in de zijkant van de draadspoel.



Plaats de draadspoel zodanig in de behuizing dat de groeven en uitsteeksels op de draadspoel overeenkomen met die in de behuizing. Zorg ervoor dat de zijkant van de draadspoel waarop de letters staan naar buiten wijst. Maak nu de uiteinden van de nylondraad los uit hun tijdelijke positie en voer de nylondraden door de oogjes zodat ze uit de behuizing steken.

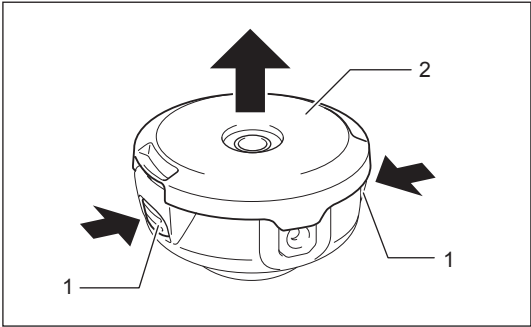


Lijn het uitsteeksel op de onderkant van het deksel uit met de sleuven naar de oogjes.
Druk daarna het deksel stevig op de behuizing zodat hij wordt vergrendeld.
Controleer of de vergrendelnokken zich volledig spreiden in het deksel.

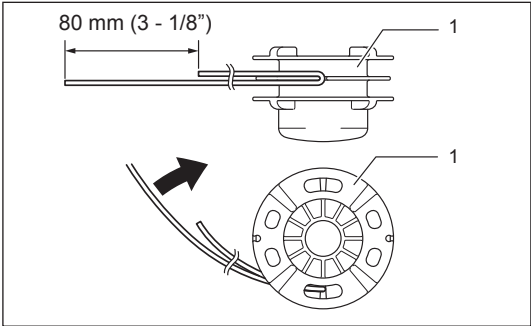


(Voor stoot-aanvoertype)

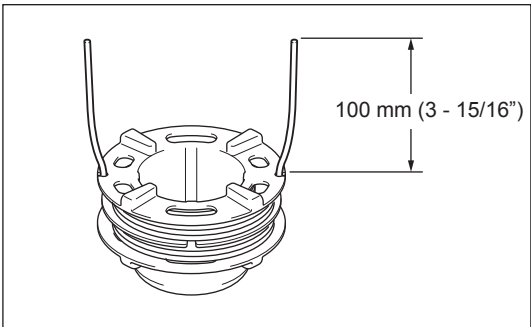
Schakel eerst de motor uit.
Druk de vergrendelnokken (1) van de behuizing naar binnen om de afdekking (2) eraf te tillen en verwijder vervolgens de draadspool.



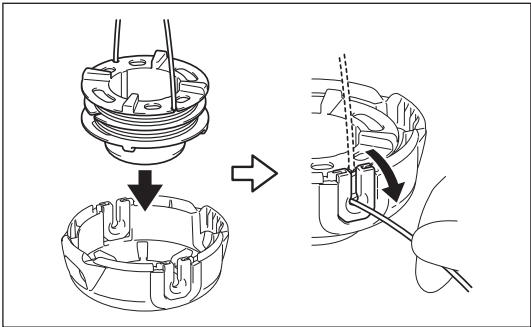
Haak het midden van de nieuwe nylondraad in de inkeping in het midden van de draadspool (1), en zorg ervoor dat één uiteinde van de nylondraad ongeveer 80 mm (3 - 1/8") langer is dan het andere. Wikkel vervolgens beide draadhelften stevig rond de draadspool in de draairichting van de maaikop (de wikkelrichting linksom wordt aangegeven door de pijl LH op de zijkant van de draadspool).



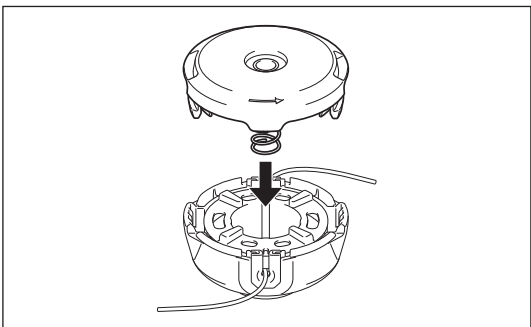
Wikkel op 100 mm (3 - 15/16") na de volledige lengte van de nylondraad op de draadspool, en haak de uiteinden tijdelijk in de inkeping in de zijkant van de draadspool.



Plaats de draadspool in de behuizing zodat de groeven en uitsteeksels op de spoel overeenkomen met die in de behuizing. Zorg ervoor dat de zijkant van de draadspool waarop de letters staan naar buiten wijst. Maak nu de uiteinden van de nylondraad los uit hun tijdelijke positie en voer de nylondraden door de oogjes zodat ze uit de behuizing steken.



Lijn het uitsteeksel op de onderkant van het deksel uit met de sleuven van de oogjes.
Druk daarna het deksel stevig op de behuizing zodat hij wordt vergrendeld.



OPSLAG

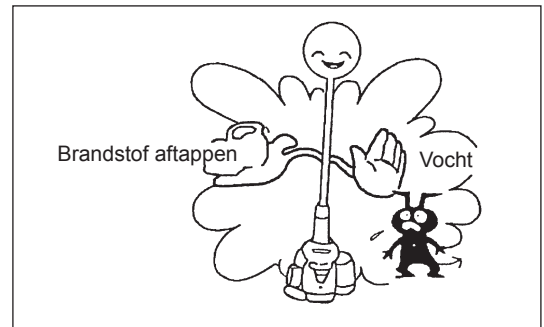


WAARSCHUWING: Controleer of de motor is uitgeschakeld en afgekoeld voordat u begint met het aftappen van de brandstof. Vlak na het uitschakelen van de motor, is deze nog heet en kan brandwonden, ontbranding en brand veroorzaken.



LET OP: Als het gereedschap gedurende een lange tijd niet gebruikt gaat worden, tapt u alle brandstof uit de brandstoftank en carburator, en slaat u het op een droge, schone plaats op.

- Tap de brandstof af uit de brandstoftank en carburator aan de hand van de volgende procedure:
 - 1) Draai de brandstofvuldop eraf en tap de brandstof volledig af. Als een vreemde substantie is achtergebleven in de brandstoftank, verwijderd u deze volledig.
 - 2) Trek met behulp van een draadhaak het brandstoffilter uit de brandstofvulopening.
 - 3) Druk op de brandstofhandpomp totdat de brandstof daaruit en in de brandstoftank stroomt.
 - 4) Plaats het brandstoffilter terug in de brandstoftank en draai de brandstofvuldop stevig vast.
 - 5) Laat de motor vervolgens draaien tot deze afslaat.
- Verwijder de bougie en breng enkele druppels motorolie via het bougiegat in de cilinder.
- Trek voorzichtig aan de starthendel zodat de motorolie zich door de motor verspreidt, en monteer daarna de bougie weer.
- Bevestig de beschermkap op het snijblad.
- Algemeen gesproken dient het gereedschap horizontaal te worden opgeborgen, of in het geval dit niet mogelijk is, bergt u het gereedschap zodanig op dat de motor lager geplaatst is dan het snijgarnituur omdat anders motorolie van binnenuit kan lekken. Let goed op hoe het gereedschap wordt opgeborgen om te voorkomen dat het gereedschap valt. Als u dit niet doet, kan dat leiden tot persoonlijk letsel.
- Bewaar de afgetapte brandstof in een speciale jerrycan op een goed geventileerde plaats in de schaduw.



Aandachtspunt na langdurige opslag

- Alvorens de motor na langdurige stilstand opnieuw te starten, moet de olie worden verversd (zie pag. 131). De olie verslechtert terwijl het gereedschap niet in gebruik is.

Storingzoeken

Storing	Systeem	Waarneming	Oorzaak
Motor start niet of moeilijk	Ontstekingsstelsel	Ontstekingsvonk OK	Fout in brandstoftoevoer of compressiestelsel, mechanisch defect
		Geen ontstekingsvonk	Stopschakelaar ingeschakeld, bedradingsfout of kortsluiting, bougie of bougiekap defect, ontstekingsmodule defect
	Brandstoftoevoer	Brandstoftank vol	Onjuiste stand van chokehendel, carburator defect, brandstofleiding geknikt of verstopt, brandstof vuil
	Compressie	Geen compressie bij aantrekken	Cilindervoetpakking defect, krukasafdichtingen beschadigd, cilinder of zuigerveren defect, of slechte afdichting van bougie
Problemen bij starten van warme motor	Mechanisch defect	Starter wordt niet geactiveerd	Gebroken startveer, gebroken onderdelen binnenin de motor
		Brandstoftank vol, ontstekingsvonk aanwezig	Carburator vervuild. Laat schoonmaken
Motor start, maar slat af	Brandstoftoevoer	Tank vol	Verkeerde afstelling stationair draaien, carburator vervuild
Onvoldoende prestaties	Mogelijk zijn meerdere systemen tegelijk de oorzaak	Slecht stationair draaien	Ontluchting brandstoftank defect, brandstofleiding niet open, gaskabel of stopschakelaar defect
			Luchtfilter vervuild, carburator vervuild, uitlaatdemper verstopt, uitlaatkanaal in de cilinder verstopt

Item	Bedrijfsuren	Voor gebruik	Na smeren	Dagelijks (10 uur)	30 uur	50 uur	200 uur	Langdurige opslag	Zie pagina
Motorolie	Inspecteren	○							126
	Vervang de bougie					○*1			131
Vastdraaien (bouten, moeren, enz.)	Inspecteren	○							134
Brandstoftank	Reinigen/inspecteren	○							—
	Brandstof aftappen							○*3	139
Gashendel	Werking controleren		○						—
Stopschakelaar	Werking controleren		○						130
Snijblad	Inspecteren	○		○					123
Laag toerental	Inspecteren/afstellen			○					130
Luchtfilter	Reinig			○					133
Bougie	Inspecteren			○					133
Koelluchtinlaatkanaal	Reinigen/inspecteren			○					134
Brandstofleiding	Inspecteren			○					134
	Vervang de bougie.						◎*2		—
Smeervet in tandwielhuis	Bijvullen				○				133
Brandstoffilter	Reinigen/vervangen					○			134
Afstand tussen luchtinlaatklep en luchtuitlaatklep	Stel af						◎*2		—
Motor reviseren							◎*2		—
Carburator	Brandstof aftappen							○*3	139

*1 Eerste keer ververset na 20 bedrijfsuren.

*2 Vraag een erkend servicecentrum of een machinewerkplaats om de inspectie na 200 bedrijfsuren uit te voeren.

*3 Na het aftappen van de brandstoftank, laat u de motor draaien om de brandstof in de carburator op te gebruiken.

PROBLEMEN OPLOSSEN

Alvorens een verzoek voor reparatie in te dienen, controleer u de storing zelf aan de hand van de onderstaande tabel. Als een probleem is gevonden, repareert u het gereedschap aan de hand van de beschrijvingen in deze gebruiksaanwijzing. Probeer nooit enig onderdeel te demonteren of repareren in strijd met de beschrijvingen. Voor reparatie neemt u contact op met een erkend servicecentrum of uw plaatselijke dealer.

Probleemomschrijving	Mogelijke oorzaak (storing)	Oplossing
Motor start niet	De brandstofhandpomp werd niet ingedrukt	Druk deze 7 tot 10 keer in
	Te zwak aantrekken van het startkoord	Trek krachtig
	Gebrek aan brandstof	Vul brandstof bij
	Verstopt brandstoffilter	Reinig
	Verbogen brandstofleiding	Maak de brandstofleiding recht
	Verslechterde brandstof	De verslechterde brandstof bemoeilijkt het starten. Vervang de brandstof door nieuwe. (Aanbevolen vervangingsinterval: 1 maand)
	Buitensporige toevoer van brandstof	Verander de stand van de gashendel van middelhoog toerental naar hoog toerental en trek aan de trekstarthandgreep tot de motor start. Nadat de motor is gestart, begint het snijblad te draaien. Let goed op het snijblad. Als de motor nog steeds niet start, draait u de bougie eruit, maakt u de elektroden droog, en monteert u de bougie weer. Start vervolgens zoals beschreven.
	Bougiekap ligt eraf	Bevestig stevig
	Vervuilde bougie	Reinig
	Verkeerde elektrodenafstand van bougie	Stel de elektrodenafstand af
	Ander probleem met de bougie	Vervang de bougie
	Probleem met de carburator	Dien een verzoek in voor inspectie en onderhoud.
	Startkoord kan niet worden getrokken	Dien een verzoek in voor inspectie en onderhoud.
Probleem met aandrijving	Dien een verzoek in voor inspectie en onderhoud.	
Motor slaat snel af Motor-toerental neemt niet toe	Onvoldoende opgewarmd	Warm de motor op
	Chokehendel staat in de dichte stand ondanks dat de motor opgewarmd is.	Zet in de geopende stand
	Verstopt brandstoffilter	Reinig of vervang
	Vervuild of verstopt luchtfilter	Reinig
	Probleem met de carburator	Dien een verzoek in voor inspectie en onderhoud.
	Probleem met aandrijving	Dien een verzoek in voor inspectie en onderhoud.
Snijblad draait niet ↓ Motor slaat onmiddellijk af	Bevestigingsmoer van snijblad zit los	Draai goed vast
	Takjes rond snijblad gewikkeld of verstopten beschermkap.	Verwijder vreemde voorwerpen
	Probleem met aandrijving	Dien een verzoek in voor inspectie en onderhoud.
Motorblok trilt abnormaal sterk ↓ Motor slaat onmiddellijk af	Snijblad is gebroken, verbogen of versleten	Vervang het snijblad
	Bevestigingsmoer van snijblad zit los	Draai goed vast
	Bolle deel van snijblad is verschoven ten opzichte van het steunvlak.	Bevestig stevig
	Probleem met aandrijving	Dien een verzoek in voor inspectie en onderhoud.
Snijblad stopt niet onmiddellijk ↓ Motor slaat onmiddellijk af	Hoog stationair toerental	Stel af
	Gaskabel losgeraakt	Bevestig stevig
	Probleem met aandrijving	Dien een verzoek in voor inspectie en onderhoud.
Motor slaat niet af ↓ Laat de motor stationair draaien en zet de chokehendel in de dichte stand	Stekker losgeraakt	Bevestig stevig
	Probleem met elektrisch systeem	Dien een verzoek in voor inspectie en onderhoud.

Als de motor niet start ondanks dat deze opgewarmd is:

Als bij het doorlopen van de controlepunten geen probleem wordt gevonden, zet u de chokehendel ongeveer 1/3 open en start u de motor.

Gracias por comprar la desbrozadora de MAKITA. Nos complace recomendarle la desbrozadora, que es el resultado de un largo programa de desarrollo y muchos años de investigación y experiencia. Lea este folleto que explica en detalle los diferentes aspectos que demostrarán su excelente rendimiento. Le ayudará a obtener los mejores resultados posibles día desbrozadora de MAKITA.



Tabla de contenido	Página
Símbolos.....	142
Instrucciones de seguridad.....	143
Datos técnicos.....	147
Denominación de las piezas.....	149
Montaje del asidero.....	150
Montaje del protector.....	151
Montaje de la cuchilla de corte o del cabezal de corte de nylon.....	152
Antes del uso.....	154
Manejo correcto de la máquina.....	156
Aspectos del manejo y cómo parar la máquina.....	157
Instrucciones de servicio.....	159
Almacenamiento.....	167

SÍMBOLOS

Cuando lea el manual de instrucciones se encontrará con los siguientes símbolos.

	Lea el manual de instrucciones y respete las advertencias y las precauciones de seguridad.		Mantenga el área de operaciones libre de personas y animales.
	Preste especial cuidado y atención.		Utilice un casco de seguridad y protección para los ojos y oídos.
	Prohibido.		Máxima velocidad permitida de la herramienta
	Mantenga la distancia.		Combustible (Gasolina)
	Peligro de que salgan despedidos objetos.		Encendido manual del motor
	No fume.		Parada de emergencia
	No la acerque a llamas.		Primeros auxilios
	Deben utilizarse guantes protectores.		ENCENDIDO/ARRANQUE
	Utilice botas robustas con suela antideslizante. Se recomienda utilizar botas de seguridad con puntera de acero.		APAGADO/PARADA
	Contragolpe.		

INSTRUCCIONES DE SEGURIDAD

Instrucciones generales

- Lea este manual de instrucciones para familiarizarse con el manejo del equipo. Los usuarios con una información insuficiente se pondrán en riesgo a ellos mismos y pondrán en riesgo a otros a causa de un manejo incorrecto.
- Se recomienda prestar el equipo solamente a personas con experiencia comprobada. Entregue siempre el manual de instrucciones.
- Los usuarios que utilizan por primera vez la máquina deben pedir al distribuidor instrucciones básicas para familiarizarse con el manejo de desbrozadoras.
- No se debe permitir que los niños o las personas de menos de 18 años utilicen este equipo. No obstante, las personas de más de 16 años pueden usar el dispositivo con finalidades de aprendizaje bajo la supervisión de un instructor cualificado.
- Utilice el equipo con el máximo cuidado y la máxima atención.
- Utilícelo solamente si se encuentra en buen estado físico. Realice todo el trabajo con calma y con cuidado. El usuario tiene que aceptar la responsabilidad por otros.
- Nunca utilice este equipo tras consumir alcohol o medicamentos o si se siente cansado o enfermo.
- Las normativas nacionales pueden restringir el uso de la máquina.

Uso previsto de la máquina

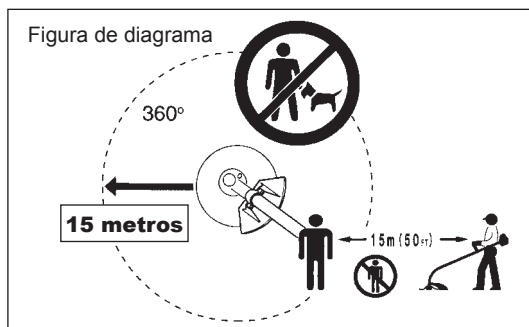
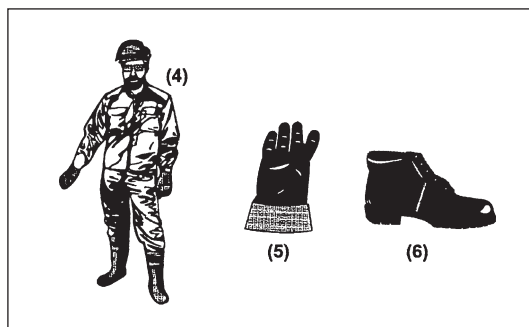
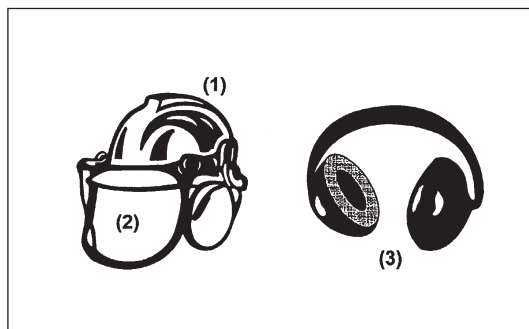
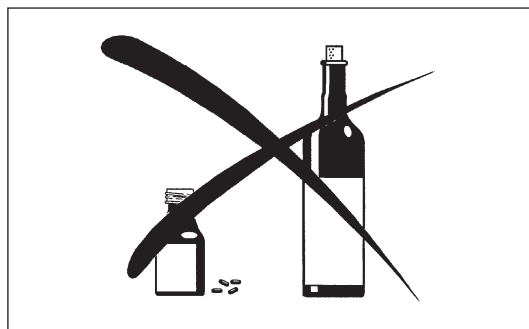
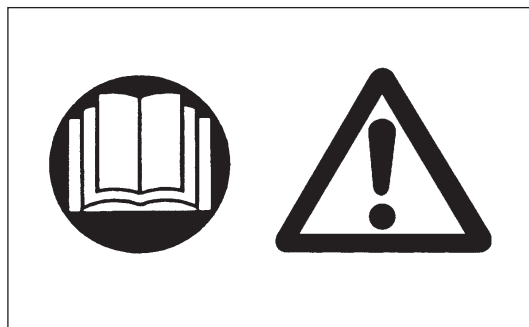
- Este equipo solamente se ha diseñado para cortar hierba, malas hierbas, arbustos y sotobosque. No se debe utilizar con ninguna otra finalidad, como canteado o cortado de setos, ya que se podrían causar lesiones.

Equipo de protección personal

- Debe llevarse ropa funcional y apropiada, es decir, debe ser ajustada pero sin que sea incómoda. No lleve joyas ni prendas que puedan engancharse en arbustos o maleza.
- Para evitar lesiones en la cabeza, los ojos, las manos o los pies y para proteger los oídos, debe llevarse el siguiente equipo y la siguiente ropa de protección durante las operaciones.
- Utilice siempre un casco cuando haya riesgo de caída de objetos. Debe comprobarse periódicamente si el casco protector (1) tiene algún daño y se debe sustituir como máximo después de 5 años. Utilice solamente cascos protectores homologados.
- El visor (2) del casco (o, como alternativa, las gafas de seguridad) protege la cara de piedras y objetos que salen despedidos. Durante las operaciones utilice gafas de seguridad o un visor para evitar lesiones en los ojos.
- Utilice un equipo de protección acústica adecuado para evitar daños en el oído (protectores de oído (3), tapones para los oídos, etc.).
- El mono de trabajo (4) protege contra piedras y otros objetos que salen despedidos. Recomendamos utilizar un mono de trabajo.
- Los guantes (5) son parte del equipo obligatorio y siempre se deben utilizar durante las operaciones.
- Cuando utilice el equipo, utilice siempre zapatos robustos (6) con una suela que no resbale. De esta manera se protegerá contra lesiones y se asegurará de que los pies estén en una posición firme.

Puesta en marcha de la desbrozadora

- Asegúrese de que no haya niños u otras personas en un área de trabajo de 15 metros (50 pies) y preste atención también a cualquier animal que pueda estar cerca del lugar de trabajo.
- Antes del uso, compruebe que el equipo permita realizar las operaciones con seguridad: Compruebe la seguridad de la herramienta de corte, el accionamiento sencillo de la palanca de la mariposa de gases y el correcto funcionamiento del bloqueo de la palanca de la mariposa de gases.
- No se permite girar la herramienta de corte mientras funciona en vacío. Consulte los ajustes con su distribuidor en caso de duda. Compruebe que los asideros estén limpios y secos y pruebe el funcionamiento del interruptor de arranque/parada.

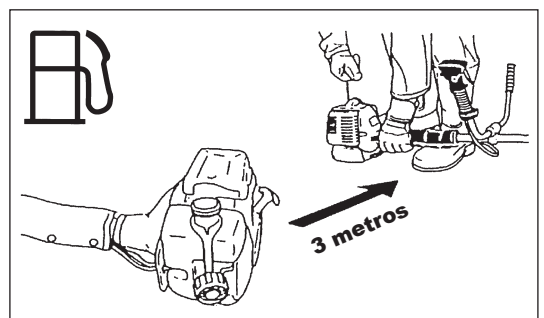
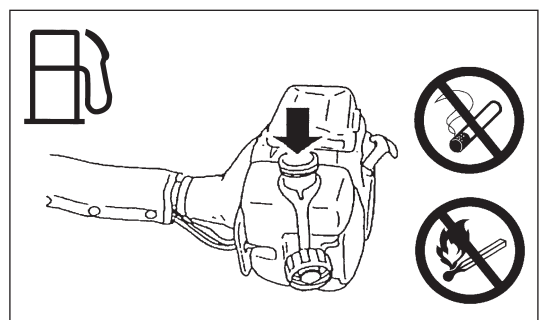
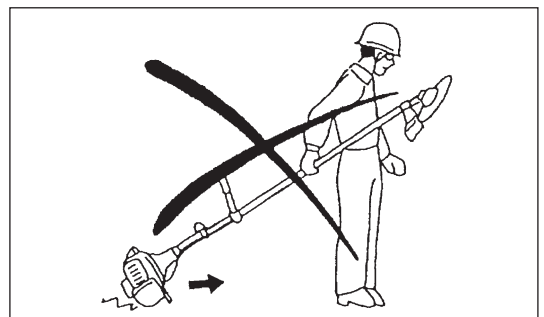
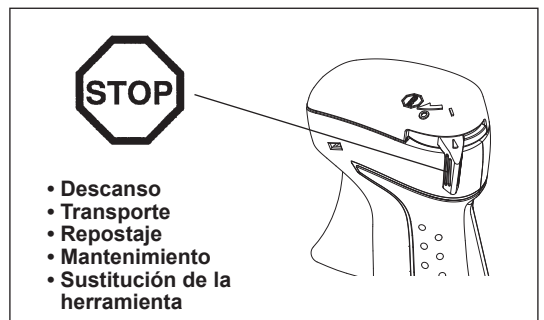
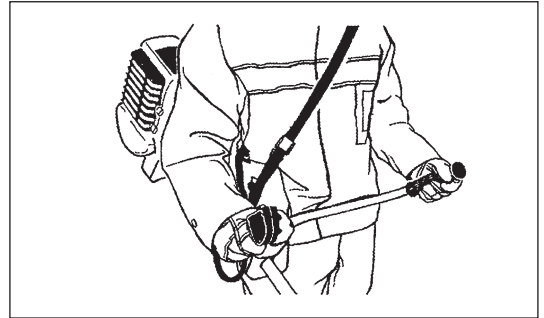
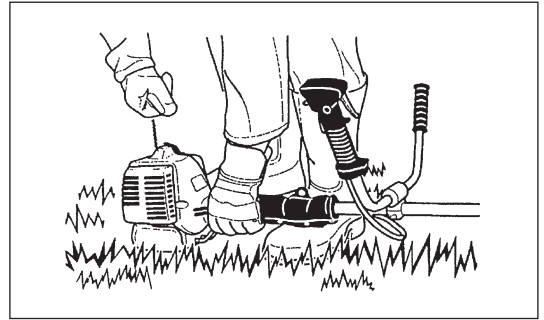


Ponga en marcha la desbrozadora únicamente de acuerdo con las instrucciones.

- No utilice ningún otro método para poner en marcha el motor.
- Utilice la desbrozadora y las herramientas solamente para las aplicaciones especificadas.
- Ponga en marcha el motor únicamente después de montar todo el conjunto. Solamente se permite utilizar el dispositivo después de conectar todos los accesorios adecuados
- Antes de la puesta en marcha, asegúrese de que la herramienta de corte no esté en contacto con objetos duros tales como ramas, piedras, etc. ya que la herramienta de corte girará al poner en marcha la máquina.
- El motor se debe apagar inmediatamente si experimenta algún problema.
- Si la herramienta de corte golpea piedras u otros objetos duros, apague el motor inmediatamente e inspecciónela.
- Inspeccione periódicamente la herramienta de corte para comprobar si hay daños (compruebe si hay grietas finas mediante pruebas de sonido).
- Si el equipo recibe un fuerte impacto o cae, compruebe su estado antes de continuar con el trabajo. Compruebe si hay fugas en el sistema de combustible y si los dispositivos de seguridad funcionan correctamente. Si hay daños o en caso de duda, solicite a nuestro centro de servicio autorizado que realice una inspección y reparación.
- Utilice el equipo únicamente con el arnés de hombro asegurado, que se debe ajustar correctamente antes de poner en marcha la desbrozadora. Es muy importante ajustar el arnés de hombro de acuerdo con la talla del usuario para evitar la fatiga durante el uso. Nunca sujete la herramienta de corte con una mano durante el uso.
- Durante las operaciones, sujete siempre la desbrozadora con ambas manos. Asegúrese siempre de que sus pies se encuentran en una posición segura.
- Utilice el equipo de forma que no inhale los gases de escape. Nunca haga funcionar el motor en lugares cerrados (riesgo de envenenamiento por gas). El monóxido de carbono es un gas inodoro.
- Apague el motor cuando descansa y cuando deje el equipo sin atender, y deje la herramienta en un lugar seguro para evitar un peligro para otras personas o que se dañe la herramienta.
- No deje nunca la desbrozadora caliente sobre hierba seca o materiales combustibles.
- Instale siempre la protección de la herramienta de corte aprobada en el equipo antes de poner en marcha el motor. De lo contrario, el contacto con la herramienta de corte puede provocar lesiones graves.
- Todas las piezas de protección y las protecciones suministradas con la máquina deben utilizarse durante el funcionamiento.
- Nunca haga funcionar el motor con un silenciador de escape defectuoso.
- Apague el motor durante el transporte.
- Cuando transporte el equipo, acople siempre la cubierta a la cuchilla de corte.
- Asegúrese de que el equipo esté en una posición segura durante el transporte en un vehículo para evitar fugas de combustible.
- Durante el transporte, asegúrese de que el depósito de combustible esté completamente vacío.
- Cuando descargue el equipo de un camión, nunca deje caer el motor al suelo, ya que se puede dañar gravemente el depósito de combustible.
- Excepto en caso de emergencia, nunca deje caer ni lance el equipo hacia el suelo, ya que el equipo se puede dañar gravemente.
- No olvide levantar todo el equipo del suelo cuando lo mueva. Arrastrar el depósito de combustible es muy peligroso y causará daños, fugas de combustible y posiblemente un incendio.

Repostaje

- Apague el motor durante el repostaje, manténgase alejado de las llamas y no fume.
- Evite el contacto de la piel con productos de aceite mineral. No inhale el vapor de combustible. Utilice siempre guantes de protección durante el repostaje. Cambie y limpie regularmente la ropa protectora.
- Tenga cuidado de no derramar combustible o aceite para evitar la contaminación del suelo (protección medioambiental). Limpie la desbrozadora inmediatamente después del derrame de combustible.
- Evite el contacto del combustible con su ropa. Cambie la ropa inmediatamente si se ha derramado combustible sobre ella (para evitar que la ropa se incendie).
- Inspeccione periódicamente la tapa del depósito de combustible para asegurarse de que se puede apretar firmemente y que no tiene fugas.
- Apriete con cuidado la tapa del depósito de combustible. Cambie de lugar para poner en marcha el motor (como mínimo a 3 metros de distancia del lugar de repostaje).
- Nunca reposte en lugares cerrados. Los vapores de combustible se acumulan a nivel del suelo (riesgo de explosiones).
- El combustible solamente se debe transportar y almacenar en recipientes homologados. Asegúrese de que el combustible almacenado no esté al alcance de los niños.



Método de trabajo

- Utilice la desbrozadora únicamente con buenas condiciones de iluminación y visibilidad. Durante el invierno tenga cuidado con las áreas húmedas o resbaladizas, hielo y nieve (riesgo de resbalar). Asegúrese siempre de que sus pies se encuentran en una posición segura.
- No corte nunca por encima de la altura de la cintura.
- Nunca se suba a una escalera.
- No se suba a árboles mientras realice la operación de corte.
- No trabaje nunca en superficies inestables.
- Elimine la arena, piedras, clavos, etc. que se encuentren en el área de trabajo. Los objetos extraños pueden dañar la herramienta de corte y provocar peligrosos contragolpes.
- Antes de comenzar a cortar, la herramienta de corte debe alcanzar la velocidad de trabajo completa.
- Cuando utilice cuchillas metálicas, balancee la herramienta uniformemente en un semicírculo de derecha a izquierda, como si usara una guadaña. Si se atascan césped o ramas entre la herramienta de corte y la protección, detenga siempre el motor antes de la limpieza. De lo contrario, el contacto accidental con las cuchillas que están girando puede provocar lesiones graves.
- Descanse para evitar la pérdida de control causada por la fatiga. Recomendamos descansar de 10 a 20 minutos cada hora.

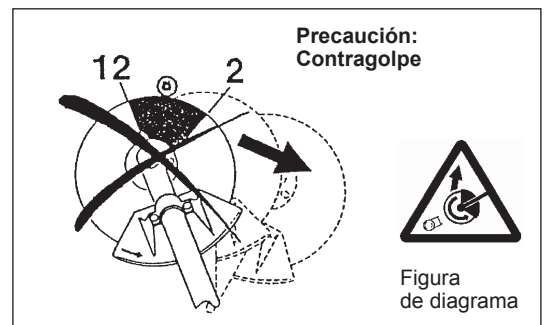


Herramientas de corte

- Utilice una herramienta de corte adecuada para el trabajo en cuestión. Los cabezales de corte de nylon (cabezales de corte de hilo) son adecuados para cortar césped. Las cuchillas metálicas son adecuadas para cortar malas hierbas, hierbas altas, arbustos, maleza, sotobosque, matorrales y plantas similares. Nunca utilice otras cuchillas, incluyendo cadenas oscilantes de varias piezas de metal y cuchillas trilladoras. De lo contrario, puede sufrir lesiones graves.
- Cuando utilice cuchillas metálicas, evite el “contragolpe” y esté siempre preparado para un contragolpe accidental. Consulte la sección “Contragolpe” y “Prevención de contragolpes”.

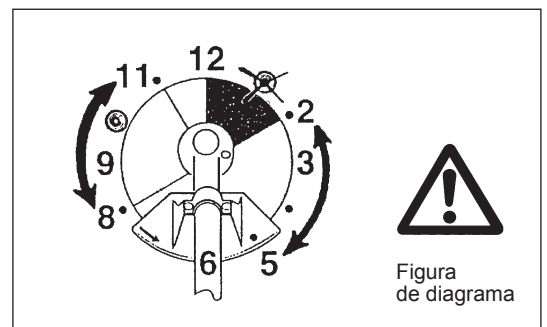
Contragolpe (empuje de la cuchilla)

- El contragolpe (empuje de la cuchilla) es una reacción repentina a una cuchilla de corte atrapada o forzada. Cuando se produzca, el equipo saldrá despedido lateralmente o hacia el operario con una gran fuerza y puede causar lesiones graves.
- El contragolpe se produce específicamente cuando se aplica el segmento de la cuchilla entre las 12 y las 2 en punto a elementos sólidos, arbustos y árboles con un diámetro de 3 cm o superior.
- Para evitar contragolpes:
 - Aplique el segmento entre las 8 y las 11 en punto;
 - Nunca aplique el segmento entre las 12 y las 2 en punto;
 - Nunca aplique el segmento entre las 11 y las 12 en punto y entre las 2 y las 5 en punto; a menos que el operario tenga una buena formación y experiencia y lo haga bajo su propio riesgo;
 - Nunca utilice cuchillas de corte cerca de elementos sólidos, como vallas, troncos de árboles y piedras;
 - Nunca utilice las cuchillas de corte verticalmente para operaciones tales como canteado o cortado de setos.



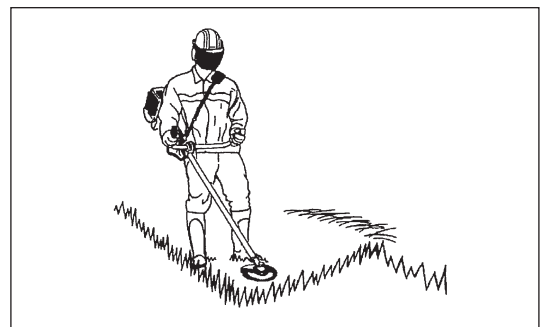
Vibración

- Las personas con problemas circulatorios que están expuestas a vibraciones excesivas pueden sufrir lesiones en los vasos sanguíneos o en el sistema nervioso. La vibración puede provocar los siguientes síntomas en los dedos, manos o muñecas: “adormecimiento”, hormigueo, dolor, sensación punzante, alteración del color de la piel o de la piel. Si sufre alguno de estos síntomas, acuda a un médico.
- Para reducir el riesgo de “enfermedad de dedos blancos”, mantenga las manos calientes durante el uso y realice un buen mantenimiento del equipo y los accesorios.



Instrucciones de mantenimiento

- Haga que su equipo sea sometido a tareas de mantenimiento en nuestro centro de servicio autorizado, utilizando siempre y de forma exclusiva recambios originales. Una reparación incorrecta y un mantenimiento deficiente pueden acortar la vida útil del equipo y aumentar el riesgo de accidentes.
- El estado de la desbrozadora, en concreto de la herramienta de corte, de los dispositivos protectores y también del arnés de hombro debe comprobarse antes de comenzar el trabajo. Debe prestarse especial atención a las cuchillas de corte, que deben estar afiladas correctamente.
- Apague el motor y quite el conector de la bujía cuando sustituya o afile las herramientas de corte y también cuando limpie la desbrozadora o la herramienta de corte.



Nunca enderece ni suele las herramientas de corte estropeadas.

- Preste atención al medioambiente. Evite el uso innecesario de la palanca de la mariposa de gases para reducir la contaminación y las emisiones de ruido. Ajuste el carburador correctamente.
- Limpie el equipo periódicamente y compruebe que todos los tornillos y tuercas estén bien apretados.
- Nunca repare o almacene el equipo cerca de llamas vivas.
- Guarde siempre el equipo en habitaciones cerradas con llave y con el depósito de combustible vacío.
- Durante la limpieza, el mantenimiento y el almacenamiento del equipo, acople siempre la cubierta a la cuchilla de corte.



Respete las instrucciones aplicables de prevención de accidentes emitidas por las compañías de seguros y las asociaciones comerciales relevantes.

No realice ninguna modificación en el equipo, ya que esto pondría en peligro su seguridad.

Los trabajos de mantenimiento o reparación que puede realizar el usuario se limitan a las actividades descritas en este manual de instrucciones. Todos los demás trabajos los realiza un agente de servicio autorizado. Utilice únicamente accesorios y piezas de repuesto genuinos suministrados por MAKITA.

El uso de accesorios y herramientas que no se hayan aprobado implica un mayor riesgo de accidentes.

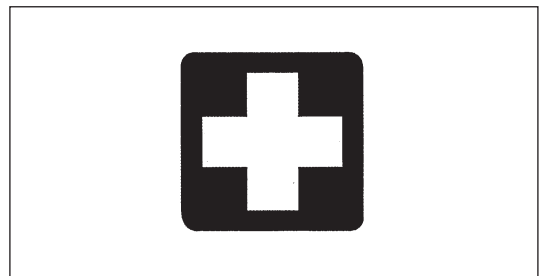
MAKITA no acepta ninguna responsabilidad por los accidentes o los daños causados por el uso de herramientas de corte no aprobadas, por la reparación de las herramientas de corte o por accesorios.

Primeros auxilios

En caso de accidente, asegúrese de que cerca del lugar en el que se realicen las operaciones de corte esté disponible un botiquín de primeros auxilios. Reponga inmediatamente cualquier artículo que tome del botiquín de primeros auxilios.

Cuando solicite ayuda, proporcione la siguiente información:

- Lugar del accidente
- Qué ha ocurrido
- Número de personas heridas
- Tipo de lesiones
- Su nombre



Sólo para países europeos

Declaración de conformidad de la CE

La Declaración de conformidad de la CE se incluye como Anexo A en este manual de instrucciones.

DATOS TÉCNICOS

Modelo		EM2650UH	EM2650UHN	EM2650LH	EM2650LHN	
Tipo de asidero		Asidero de motocicleta		Asidero circular		
Dimensiones: largo x ancho x alto (sin herramienta de corte) mm		1.765 x 620 x 474		1.765 x 330 x 264		
Peso (sin protector de plástico ni herramienta de corte) kg		5,6		5,3		
Volumen (depósito de combustible) L		0,6				
Volumen (depósito de aceite) L		0,08				
Cilindrada del motor cm ³		25,4				
Potencia máxima del motor kw		0,77 a 7.000 min ⁻¹				
Velocidad del motor a la velocidad máxima recomendada del husillo min ⁻¹		10.000				
Velocidad máxima del husillo (correspondiente) min ⁻¹		7.400				
Velocidad de ralentí min ⁻¹		3.000				
Velocidad de acoplamiento de embrague min ⁻¹		3.900				
Carburador		Tipo de diafragma				
Sistema de encendido		Sin contacto, tipo magnético				
Bujía tipo		NGK CMR4A				
Separación entre electrodos mm		0,7 - 0,8				
Vibración de acuerdo con ISO 22867	Asidero derecho (Empuñadura trasera)	a _{hv eq} m/s ²	3,4	—	6,5	5,0
		Incertidumbre K m/s ²	0,6	—	2,3	1,3
	Asidero izquierdo (Empuñadura delantera)	a _{hv eq} m/s ²	4,5	—	6,7	6,4
		Incertidumbre K m/s ²	0,6	—	1,9	1,4
Nivel de presión sonora de acuerdo con ISO 22868	L _{PA eq} dBA	96,6	—	96,6	91,6	
	Incertidumbre K dBA	0,9	—	0,9	3,1	
Nivel de potencia sonora de acuerdo con ISO 22868	L _{WA eq} dBA	105,5	—	105,5	101,6	
	Incertidumbre K dBA	1,3	—	1,3	2,0	
Combustible		Gasolina de automoción				
Aceite de motor		Aceite de clasificación API, clase SF o superior, SAE 10W-30 (aceite para motor de 4 tiempos de automoción)				
Herramientas de corte (diám. cuchilla de corte) mm		230				
Relación de engranajes		14/19				

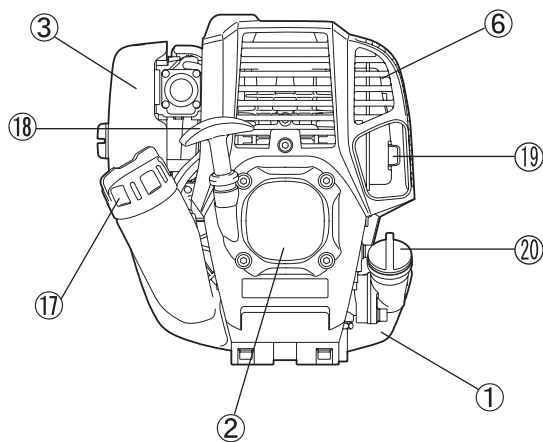
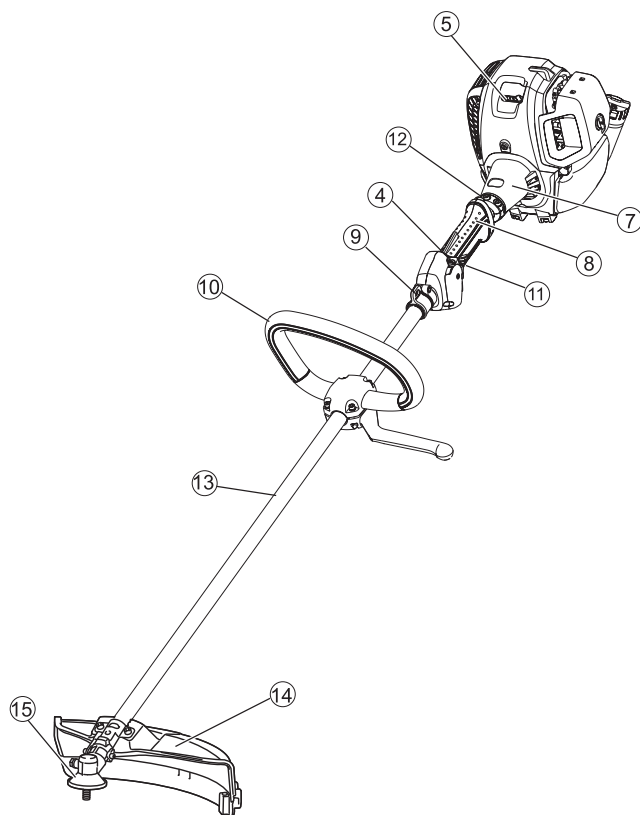
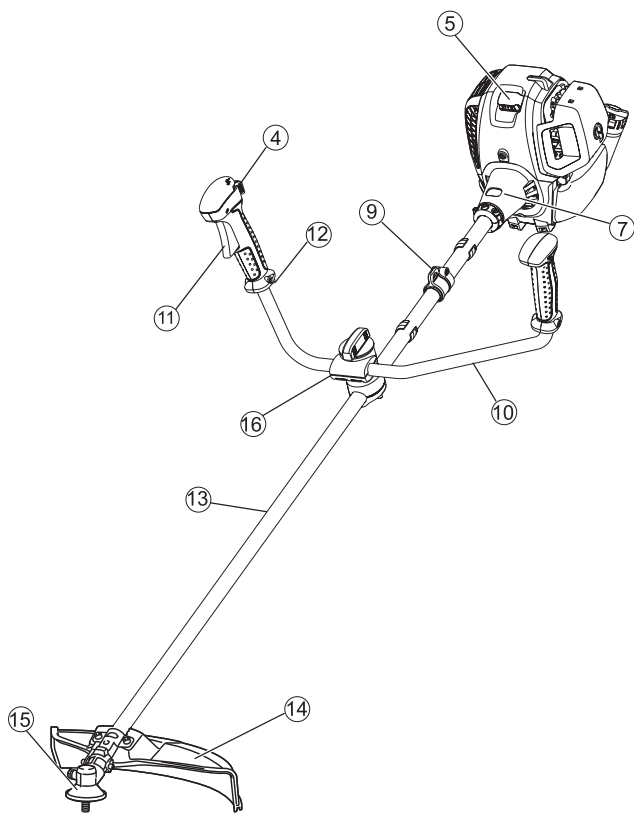
DATOS TÉCNICOS

Modelo		EM2651UH	EM2651LH	
Tipo de asidero		Asidero de motocicleta	Asidero circular	
Dimensiones: largo x ancho x alto (sin herramienta de corte) mm		1.765 x 620 x 474	1.765 x 330 x 264	
Peso (sin protector de plástico ni herramienta de corte) kg		5,8	5,3	
Volumen (depósito de combustible) L		0,6		
Volumen (depósito de aceite) L		0,08		
Cilindrada del motor cm ³		25,4		
Potencia máxima del motor kw		0,77 a 7.000 min ⁻¹		
Velocidad del motor a la velocidad máxima recomendada del husillo min ⁻¹		10.000		
Velocidad máxima del husillo (correspondiente) min ⁻¹		7.400		
Velocidad de ralentí min ⁻¹		3.000		
Velocidad de acoplamiento de embrague min ⁻¹		3.900		
Carburador		Tipo de diafragma		
Sistema de encendido		Sin contacto, tipo magnético		
Bujía tipo		NGK CMR4A		
Separación entre electrodos mm		0,7 - 0,8		
Vibración de acuerdo con ISO 22867	Asidero derecho (Empuñadura trasera)	a _{hv eq} m/s ²	3,3	5,7
		Incertidumbre K m/s ²	0,8	1,2
	Asidero izquierdo (Empuñadura delantera)	a _{hv eq} m/s ²	4,3	6,0
		Incertidumbre K m/s ²	1,6	1,8
Nivel de presión sonora de acuerdo con ISO 22868	L _{PA eq} dBA	96,6		
	Incertidumbre K dBA	0,9		
Nivel de potencia sonora de acuerdo con ISO 22868	L _{WA eq} dBA	105,5		
	Incertidumbre K dBA	1,3		
Combustible		Gasolina de automoción		
Aceite de motor		Aceite de clasificación API, clase SF o superior, SAE 10W-30 (aceite para motor de 4 tiempos de automoción)		
Herramientas de corte (diám. cuchilla de corte) mm		230		
Relación de engranajes		14/19		

DENOMINACIÓN DE LAS PIEZAS

**EM2650UH
EM2650UHN
EM2651UH**

**EM2650LH
EM2650LHN
EM2651LH**



E	DENOMINACIÓN DE LAS PIEZAS
1	Depósito de combustible
2	Arrancador de retroceso
3	Filtro de aire
4	Interruptor I-O (encendido/apagado)
5	Bujía
6	Silenciador de escape
7	Caja del embrague
8	Empuñadura trasera
9	Colgador
10	Asidero
11	Palanca de control
12	Cable de control
13	Eje
14	Protector (protección de la herramienta de corte)
15	Caja de engranajes/Caja del cabezal
16	Agarre del asidero
17	Tapa para el llenado de combustible
18	Empuñadura de arranque
19	Tubo de escape
20	Varilla indicadora de nivel de aceite

MONTAJE DEL ASIDERO

PRECAUCIÓN: Antes de realizar algún trabajo en la desbrozadora, detenga siempre el motor y desconecte el conector de la bujía.
Utilice siempre guantes de protección.

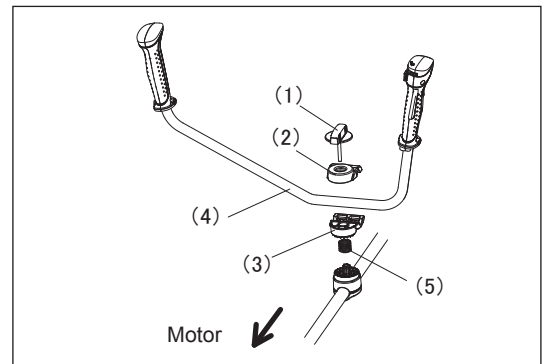
PRECAUCIÓN: Ponga en marcha la desbrozadora únicamente después de haberla montado completamente.



Para máquinas con modelos de asidero de moto

- Afloje el pomo (1).
- Coloque el asidero (4) entre la abrazadera del asidero (2) y el soporte del asidero (3).
- Ajuste el asidero (4) en un ángulo que proporcione una posición de trabajo cómoda y, a continuación, apriételo firmemente apretando a mano el pomo (1).

PRECAUCIÓN: No olvide montar el muelle (5).

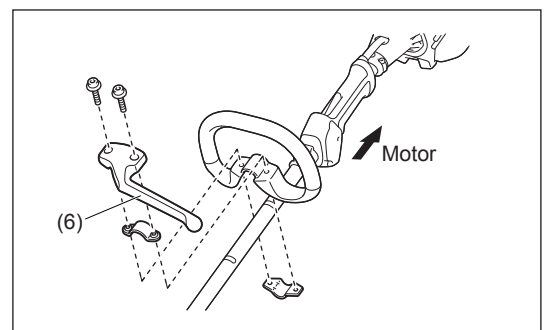
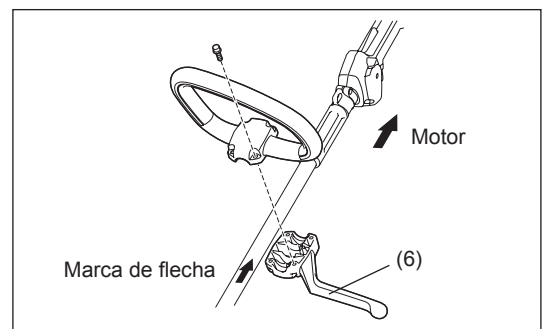


Para máquinas con asidero circular

- Fije una barrera (6) en el lado izquierdo de la máquina junto con el asidero para proteger al operario.
- Asegúrese de que el conjunto de empuñadura/barrera esté encajado entre el separador y la marca de flecha.

ADVERTENCIA: No retire ni encoja el separador. El separador mantiene una distancia establecida entre ambas manos. El ajuste del conjunto de empuñadura/barrera cercano a la otra empuñadura más allá de la longitud del separador puede provocar una pérdida de control y graves lesiones personales.

Nota: En algunos países el asidero puede ser de un tipo sin barrera.



MONTAJE DEL PROTECTOR

ADVERTENCIA:

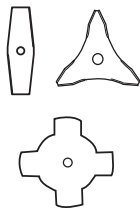

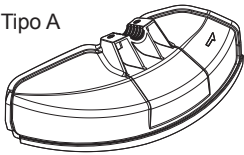
Utilice siempre la herramienta con la combinación aprobada de equipos de seguridad. De lo contrario, el contacto con una herramienta de corte puede provocar lesiones graves.

PRECAUCIÓN:

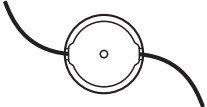
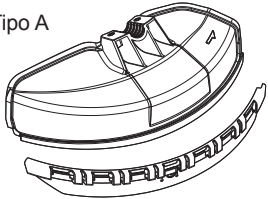

Apriete los pernos derecho e izquierdo uniformemente de forma que la holgura entre la abrazadera y el protector sea constante. De lo contrario, es posible que el protector no funcione como se espera.

Para cumplir con las disposiciones de seguridad apropiadas, solamente se deben utilizar las combinaciones de herramienta/protector indicadas en la tabla.

Uso de la cuchilla metálica

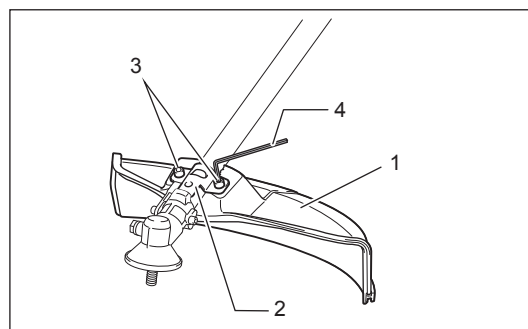
Cuchilla metálica	La arandela de sujeción, el vaso y la tuerca son necesarias	Protector
		<p>Tipo A</p> 

Uso del cabezal de corte de nylon

Cabezal de corte de nylon	Protector	
	<p>Tipo A</p> 	<p>Tipo B</p> 

Para la cuchilla metálica

Fije el protector de tipo A (1) a la abrazadera (2) con dos pernos M6 x 25 (3) con la llave hexagonal 5 (4).



Para el cabezal de corte de nylon (para el protector de tipo A)

PRECAUCIÓN:

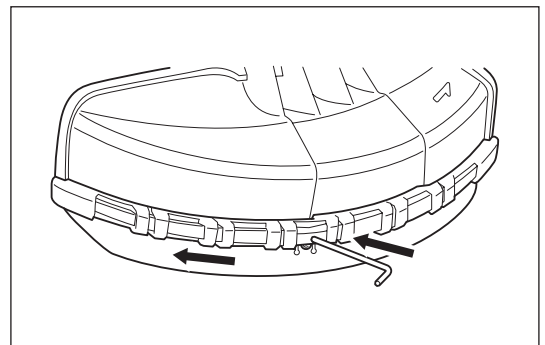
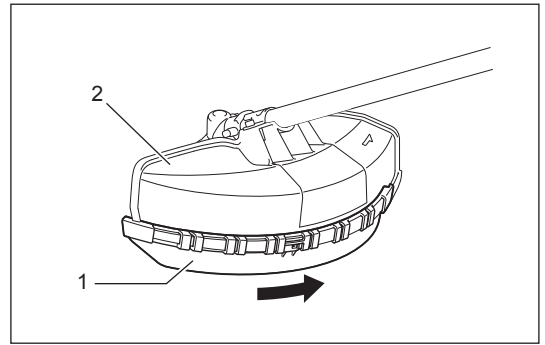
Asegúrese de empujar la extensión del protector (1) hasta que esté totalmente insertada.

De lo contrario, la extensión del protector puede desprenderse y provocar lesiones personales.

PRECAUCIÓN:

Tenga cuidado de no herirse con el cabezal de corte para cortar el hilo de nylon.

1. Fije el protector a la abrazadera con dos pernos M6 x 25.
2. Monte la extensión del protector (1) deslizándola en su lugar desde el costado del protector de la cuchilla metálica (2).
3. Retire la cinta adherida a la cuchilla, que corta el hilo de nylon, de la extensión del protector.
4. Para retirar la extensión del protector, utilice una llave hexagonal 4 en la ranura del protector, empújelo y al mismo tiempo deslice la extensión del protector.

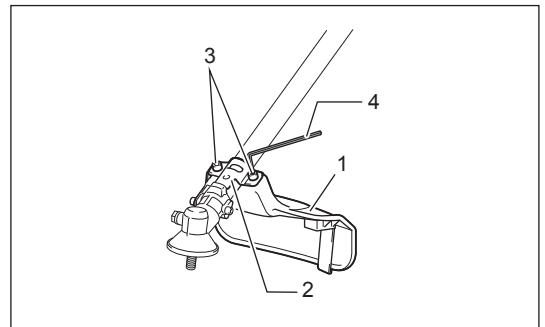


Para el cabezal de corte de nylon (para el protector de tipo B)

PRECAUCIÓN:

Tenga cuidado de no herirse con el cabezal de corte para cortar el hilo de nylon.

Fije el protector (1) a la abrazadera (2) con dos pernos M6 x 25 (3) con la llave hexagonal 5 (4).



MONTAJE DE LA CUCHILLA DE CORTE O DEL CABEZAL DE CORTE DE NYLON

PRECAUCIÓN:

Asegúrese de utilizar cuchillas de corte o cabezales de corte originales de MAKITA.

- La cuchilla de corte deberá estar afilada, sin grietas ni roturas. Si la cuchilla golpea una piedra durante el uso, detenga la herramienta y compruebe la cuchilla inmediatamente.
- Afile o reemplace la cuchilla cada tres horas de funcionamiento.
- Si el cabezal de corte de nylon golpea una piedra durante el uso, detenga la herramienta y compruebe la cuchilla inmediatamente.

PRECAUCIÓN:

El diámetro exterior de la cuchilla de corte debe ser de 230 mm (9 - 1/16"). Nunca utilice cuchillas con un diámetro exterior superior a 230 mm (9 - 1/16").

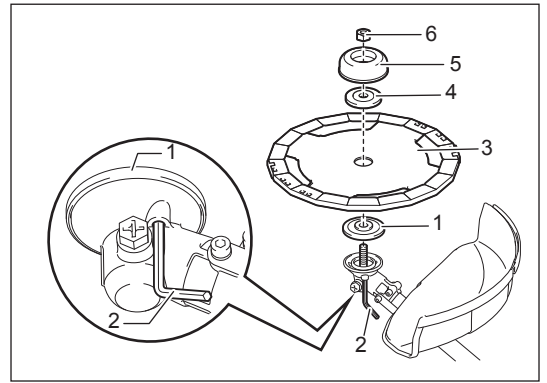
Coloque la máquina boca arriba y podrá sustituir la cuchilla de corte o el cabezal de corte de nylon fácilmente.

Instalación de la cuchilla metálica

PRECAUCIÓN:

Utilice siempre guantes y coloque la cubierta de la cuchilla en la cuchilla metálica cuando maneje la cuchilla de corte.

1. Instale la arandela de apoyo (1) en el eje.
2. Inserte la llave hexagonal 4 (2) en el orificio de la caja de engranajes y gire la arandela de apoyo (1) hasta que quede bloqueada con la llave hexagonal.
3. Monte la cuchilla metálica (3) en el eje para que la guía de la arandela de apoyo (1) se ajuste al orificio del eje de la cuchilla metálica.
4. Instale la arandela de apriete (4), el vaso (5) y fije la cuchilla girando la tuerca (6) en el sentido contrario a las agujas del reloj. [Par de apriete: 13 - 23 N-m]
5. Tras instalar la cuchilla metálica, retire la llave hexagonal.

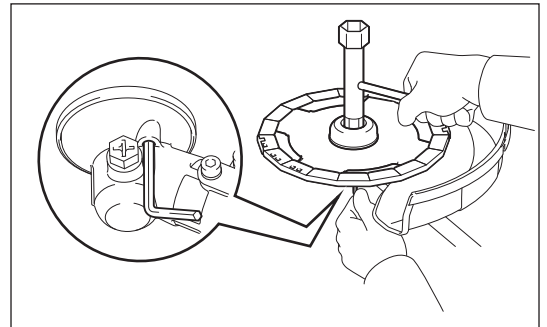


Para extraer la cuchilla metálica, haga lo siguiente:

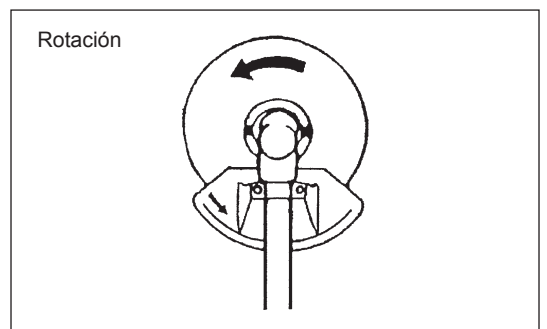
1. Inserte la llave hexagonal en el orificio de la caja de engranajes y gire la arandela de apoyo hasta que quede bloqueada con la llave hexagonal.
2. Afloje la tuerca hexagonal en el sentido de las agujas del reloj con la llave de tubo y extraiga la tuerca, el vaso, la arandela abrazadera y la llave hexagonal.

NOTA:

La tuerca de apriete de la cuchilla de corte (con arandela de muelle) se desgasta con el paso del tiempo. Reemplace la tuerca si se aprecia algún desgaste o deformación en la arandela de muelle.

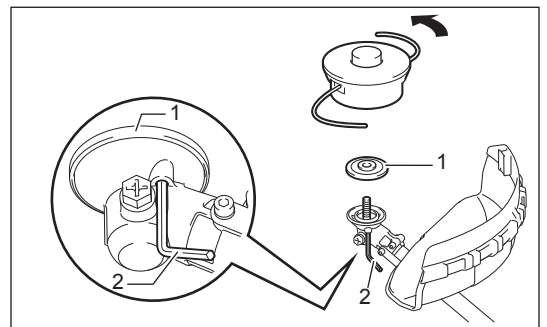


Asegúrese de que la cuchilla esté con el lado izquierdo hacia arriba.



Instalación del cabezal de corte de nylon

1. Instale la arandela de apoyo (1) en el eje.
2. Inserte la llave hexagonal (2) en el orificio de la caja de engranajes y gire la arandela de apoyo (1) hasta que quede bloqueada con la llave hexagonal.
3. Enrosque el cabezal de corte de nylon en el eje girándolo en el sentido contrario a las agujas del reloj.
4. Tras instalar el cabezal de corte de nylon, retire la llave hexagonal.



Inspección y rellenado del aceite de motor

- Realice el siguiente procedimiento con el motor frío.
- Coloque el motor en una posición nivelada, extraiga la tapa del aceite (Fig. 1) y compruebe si hay aceite en el intervalo entre las marcas del límite inferior y el límite superior del tubo de aceite (Fig. 2).
- Llene con aceite hasta la marca del límite superior si el aceite no es suficiente (el nivel de aceite está cerca de la marca del límite inferior) (Fig. 3).
- El área que rodea las marcas externas es transparente, por lo que la cantidad de aceite dentro se puede comprobar sin tener que extraer la tapa de aceite. No obstante, si el tubo de aceite está extremadamente sucio, se puede perder la visibilidad y el nivel de aceite se tendrá que comprobar en la sección escalonada de dentro del tubo de aceite.
- Como referencia, el tiempo de rellenado de aceite es de unas 10 horas (10 veces o 10 depósitos de rellenado de aceite).
Si el aceite cambia de color o se mezcla con suciedad, sustitúyalo con uno nuevo. (Para conocer el intervalo y el método de sustitución, consulte la P 159)

Aceite recomendado: Aceite SAE 10W-30 de Clasificación API, Clase SF o superior (motor de 4 tiempos para automoción)
Volumen de aceite: Aprox. 0,08 L

Nota: Si el motor no se mantiene en posición vertical, el aceite puede entrar en el motor y se puede rellenar en exceso.
Si se llena aceite por encima del límite, puede contaminarse o incendiarse y provocar un humo blanco.

Punto 1 de la sustitución de aceite: “Varilla indicadora de nivel de aceite”

- Retire el polvo o la suciedad de alrededor de la abertura de rellenado de aceite y extraiga la varilla indicadora del nivel de aceite.
- Mantenga la varilla indicadora del nivel de aceite libre de tierra o suciedad. De lo contrario, la tierra o la suciedad que se adhiera a la varilla indicadora del nivel de aceite puede causar una circulación irregular de aceite o un desgaste en las piezas del motor, lo que puede provocar problemas.

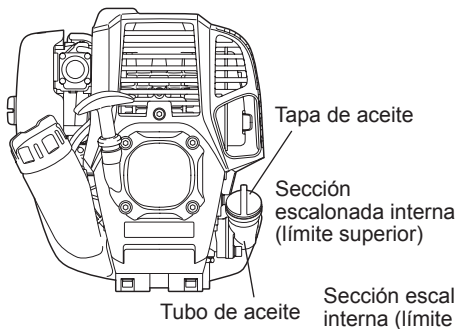


Fig. 1

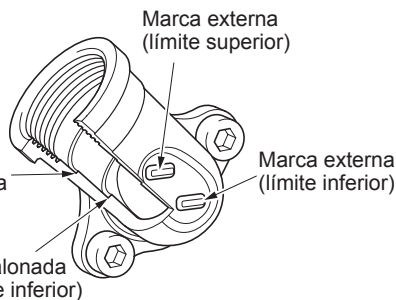
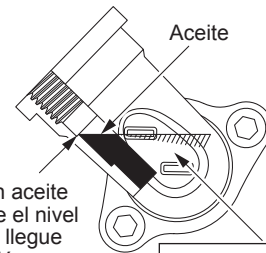


Fig. 2 Tubo de aceite

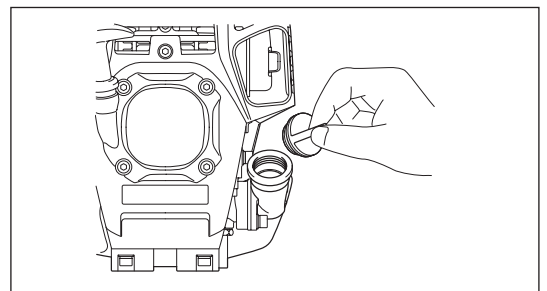


Llene con aceite hasta que el nivel de aceite llegue a la sección escalonada interna (límite superior).

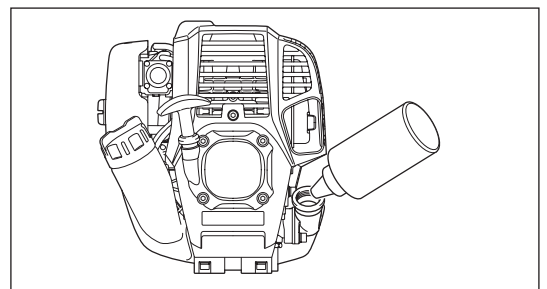
El área entre los límites superior e inferior es transparente, por lo que el nivel de aceite se puede comprobar externamente con esas marcas.

Fig. 3

(1) Mantenga el motor nivelado y extraiga la tapa de aceite.



(2) Rellene con aceite hasta la marca de límite superior. (consulte la Fig. 3)
Utilice una botella de aceite cuando rellene.



(3) Apriete firmemente la tapa de aceite. Un apriete insuficiente puede causar fugas de aceite.

Nota

- No sustituya el aceite con el motor en una posición inclinada.
- Si se rellena el aceite con el motor inclinado se puede producir un llenado excesivo, que provocará contaminación de aceite y/o humo blanco.

Punto 2 de la sustitución de aceite: “Si se derrama aceite”

- Si se derrama aceite entre el depósito de combustible y la unidad principal del motor, el aceite se succiona a través del puerto de entrada de aire, lo que contaminará el motor. Asegúrese de limpiar el aceite derramado antes de empezar a utilizar la herramienta.

REPOSTAJE

Manejo del combustible

Tenga el máximo cuidado cuando maneje el combustible. El combustible puede contener sustancias similares a los disolventes. Reposte en una habitación bien ventilada o al aire libre. No inhale el vapor de combustible y evite cualquier contacto con el combustible. El contacto prolongado de la piel con estos productos hará que la piel se reseque, lo que puede provocar enfermedades en la piel o alergias. Si el combustible entra en contacto con los ojos, límpielos con agua potable. Si sus ojos siguen irritados, acuda inmediatamente a un médico.

Período de almacenamiento del combustible

El combustible debe utilizarse en un período de 4 semanas, aunque se conserve en un contenedor especial a la sombra en una zona bien ventilada.

Si no se utiliza un contenedor especial o si el contenedor no está a cubierto, el combustible se puede deteriorar en un día.

ALMACENAMIENTO DE LA MÁQUINA Y DEL DEPÓSITO DE RELLENADO

- Mantenga la máquina y el depósito en un lugar fresco alejado de la luz directa del sol.
- No guarde nunca el combustible en el interior de un vehículo o en un maletero.

Combustible

El motor es un motor de cuatro tiempos. Asegúrese de utilizar gasolina de automoción (gasolina normal o gasolina premium).

Observaciones sobre el combustible

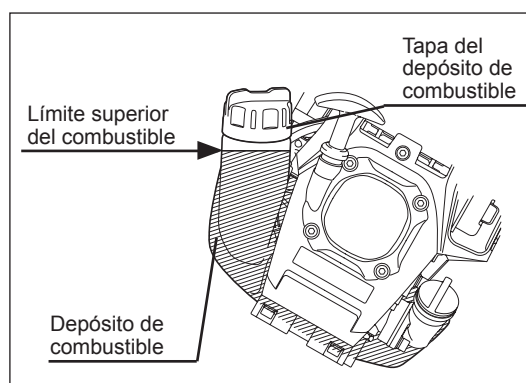
- Nunca utilice una mezcla de gasolina que contenga aceite de motor. De lo contrario, provocará una acumulación excesiva de carbonilla o problemas mecánicos.
- El uso de aceite deteriorado provocará un arranque irregular.

Repostaje

ADVERTENCIA: LOS MATERIALES INFLAMABLES ESTÁN ESTRICTAMENTE PROHIBIDOS

Gasolina utilizada: Gasolina de automoción (gasolina sin plomo)

- Afloje un poco la tapa del depósito para que no haya ninguna diferencia de presión atmosférica.
 - Suelte la tapa del depósito y reposte, descargando el aire inclinando el depósito de combustible de forma que la abertura de repostaje esté orientada hacia arriba. (Nunca rellene combustible en la abertura de relleno de aceite.)
 - Limpie bien la periferia de la tapa del depósito de combustible para evitar que entren objetos extraños en el depósito de combustible.
 - Tras el repostaje, apriete firmemente la tapa del depósito.
-
- Si hay defectos o daños en la tapa del depósito, sustitúyala.
 - La tapa del depósito es desechable y, por lo tanto, se debe renovar cada dos o tres años.



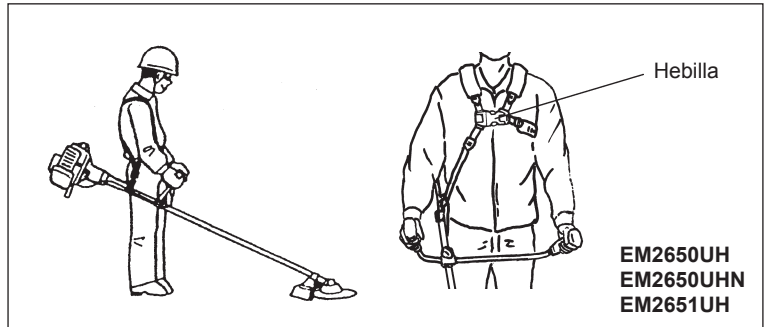
MANEJO CORRECTO DE LA MÁQUINA

Instalación de la correa para el hombro

- Ajuste la longitud de la correa para el hombro de forma que la cuchilla quede paralela al suelo.

Para EM2650UH, EM2650UHN, EM2651UH

NOTA: Tenga cuidado de que la ropa no quede atrapada en la hebilla.

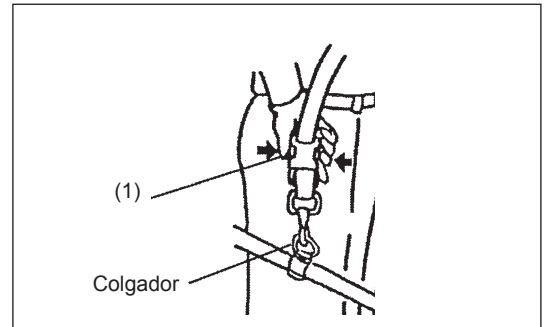


Separación

Para EM2650LH, EM2651LH

- En una emergencia, pulse las muescas (1) en ambos lados y podrá soltar la máquina de usted.
Tenga mucho cuidado para mantener el control de la máquina en ese momento. No permita que la máquina se desvíe hacia usted o hacia cualquiera que se encuentre cerca de usted.

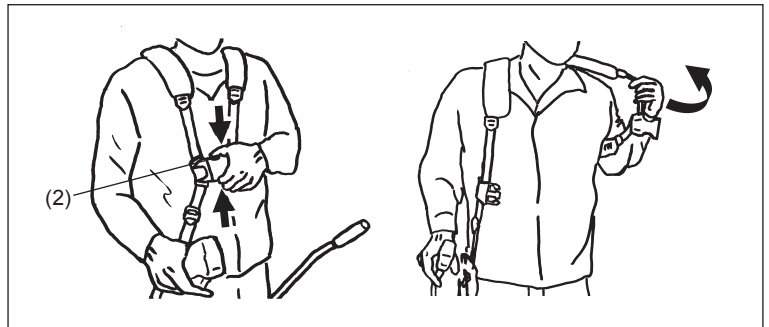
ADVERTENCIA: Si no se mantiene un control completo de la máquina, se pueden causar lesiones corporales graves o la MUERTE.



Para EM2650UH, EM2650UHN, EM2651UH

- En una emergencia, pulse las muescas (2) en ambos lados y podrá soltar la máquina de usted.
Tenga mucho cuidado para mantener el control de la máquina en ese momento. No permita que la máquina se desvíe hacia usted o hacia cualquiera que se encuentre cerca de usted.

ADVERTENCIA: Si no se mantiene un control completo de la máquina, se pueden causar lesiones corporales graves o la MUERTE.

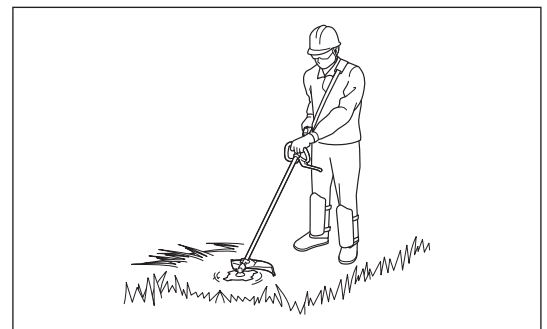


ADVERTENCIA:

Coloque siempre la herramienta en su lado derecho. Una posición correcta de la herramienta permite el máximo control y reducirá el riesgo de lesiones personales graves causadas por contragolpes.

ADVERTENCIA:

Procure mantener el control de la herramienta en todo momento. No permita que la herramienta se desvíe hacia usted o hacia cualquiera que se encuentre cerca de usted. Si no se controla la herramienta, se pueden producir graves lesiones personales a personas circundantes y al operario.



Uso del cabezal de corte de nylon

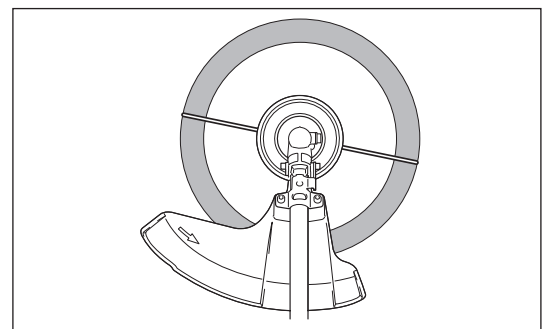
El cabezal de corte de nylon es un cabezal de corte de hilo doble con un mecanismo de sacudida y despliegue de hilo.

Para que se despliegue el hilo de nylon, golpee el cabezal de corte contra el suelo mientras gira.

El área más efectiva de corte se muestra mediante el área sombreada.

NOTA:

Si el hilo de nylon no se alarga correctamente con la sacudida del cabezal, rebóbinelo o sustitúyalo siguiendo los procedimientos descritos en "INSTRUCCIONES DE SERVICIO".



ASPECTOS DEL MANEJO Y CÓMO PARAR LA MÁQUINA

Respete las normativas de prevención de accidentes aplicables.

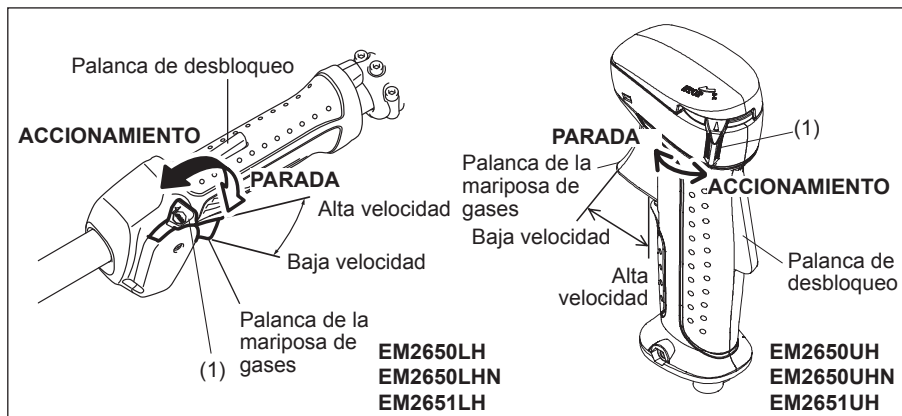


ARRANQUE

Aléjese 3 m como mínimo del lugar de repostaje. Coloque la desbrozadora sobre un lugar despejado, con cuidado de que la herramienta de corte no entre en contacto con el suelo u otros objetos.

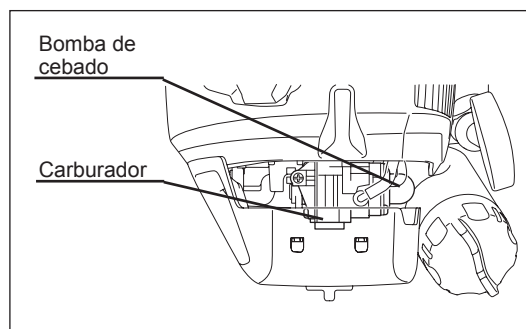
A: Arranque en frío

- 1) Coloque la máquina sobre una superficie plana.
- 2) Ajuste el interruptor I-O (1) en ACCIONAMIENTO.



- 3) Bomba de cebado

Siga accionando la bomba de cebado hasta que el combustible entre en ella. (En general, el combustible entra en la bomba de cebado con 7 a 10 pulsaciones.) Si se acciona la bomba de cebado en exceso, el exceso de gasolina vuelve al depósito de combustible.



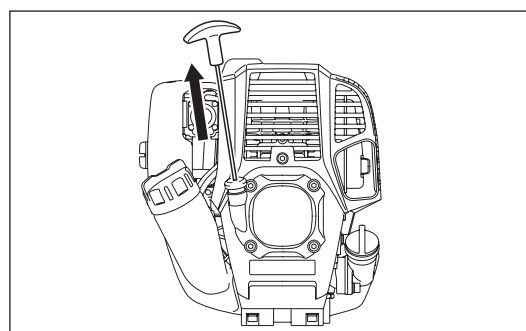
- 4) Arrancador de retroceso

Tire lentamente de la empuñadura de arranque hasta que note cierta resistencia (punto de compresión). A continuación devuelva la empuñadura de arranque a su posición y tire con fuerza de ella.

Nunca tire por completo de la cuerda de arranque. Cuando haya tirado de la empuñadura de arranque, no la suelte inmediatamente. Sujete la empuñadura de arranque hasta que vuelva a su posición original.

- 5) Operación de calentamiento

Continúe con la operación de calentamiento durante 2 ó 3 minutos.



Nota: Si se produce una entrada excesiva de combustible, extraiga la bujía y tire lentamente de la empuñadura de arranque para eliminar el exceso de combustible. Asimismo, seque la sección del electrodo de la bujía.

Precaución durante el funcionamiento:

Si la palanca de la mariposa de gases se abre completamente durante el funcionamiento sin carga, las revoluciones del motor aumentan por encima de las 10.000 min⁻¹ o más. Nunca haga funcionar el motor a una velocidad superior a la necesaria y mantenga las revoluciones a una velocidad aproximada de 6.000 - 8.500 min⁻¹.

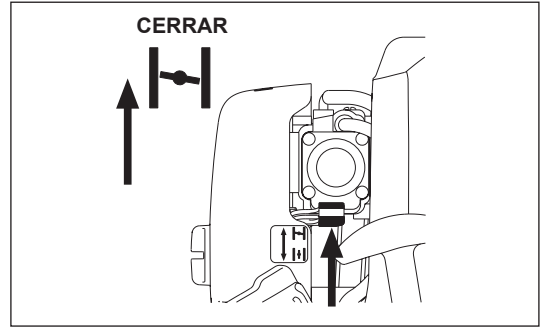
B: Arranque después de la operación de calentamiento

- 1) Pulse la bomba de cebado repetidamente.
- 2) Mantenga la palanca de la mariposa de gases en la posición de ralentí.
- 3) Tire del arrancador de retroceso con fuerza.
- 4) Si resulta difícil arrancar el motor, abra la mariposa de gases 1/3. Preste atención a la cuchilla de corte, que puede girar.

En épocas como el invierno, cuando resulta difícil poner en marcha el motor

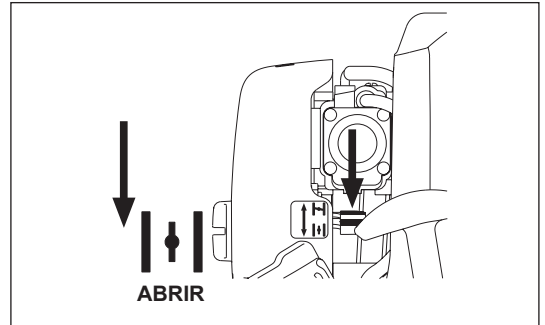
Utilice la palanca del estrangulador de la siguiente manera cuando ponga en marcha el motor.

- Tras seguir los pasos de arranque 1) a 3), ajuste la palanca del estrangulador en la posición CLOSE (Cerrar).
- Realice el paso 4) del arranque y ponga en marcha el motor.
- Cuando se haya puesto en marcha el motor, ajuste la palanca del estrangulador en la posición OPEN (Abrir).
- Realice el paso 5) del arranque y complete el calentamiento.



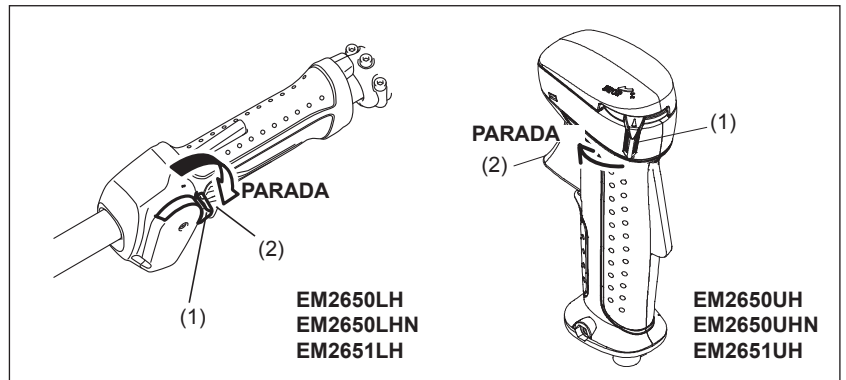
PRECAUCIÓN: Si se oye una explosión y el motor se detiene o si el motor que se acaba de poner en marcha se cala antes de accionar la palanca del estrangulador, devuelva la palanca del estrangulador a la posición OPEN (Abrir) y tire de la empuñadura de arranque unas cuantas veces para poner en marcha el motor.

PRECAUCIÓN: Si la palanca del estrangulador se deja en la posición CLOSE (Cerrar) y se tira de la empuñadura de arranque repetidamente, se succionará demasiado combustible y será difícil poner en marcha el motor.



PARADA

- 1) Suelte la palanca de la mariposa de gases (2) completamente y, cuando se hayan reducido las rpm del motor, ajuste el interruptor I-O en la posición "PARADA" para detener el motor.
- 2) Tenga en cuenta que es posible que el cabezal de corte no se detenga inmediatamente y permita que reduzca su velocidad hasta detenerse.



AJUSTE DE LA ROTACIÓN DE BAJA VELOCIDAD (RALENTÍ)

Cuando sea necesario ajustar la rotación a baja velocidad (ralentí), hágalo mediante el tornillo de ajuste del carburador.

COMPROBACIÓN DE LA ROTACIÓN A BAJA VELOCIDAD

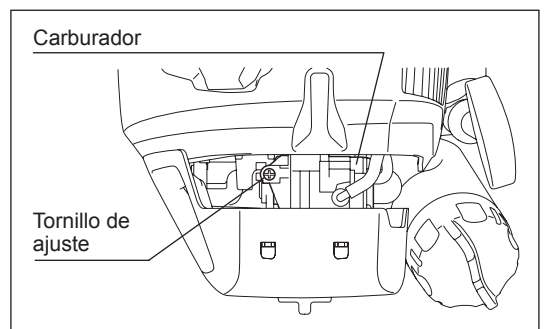
PRECAUCIÓN:

El accesorio de corte puede estar girando durante los ajustes del carburador. Utilice su equipo de protección y respete todas las instrucciones de seguridad. Asegúrese de que el accesorio de corte deje de girar cuando el motor esté al ralentí.

PRECAUCIÓN

Cuando se apague la unidad, asegúrese de que el accesorio de corte se haya detenido antes de dejar la unidad.

- Ajuste la rotación a baja velocidad en 3.000 min⁻¹. Si es necesario cambiar la velocidad de rotación, regule el tornillo de ajuste (en la ilustración de la derecha), con un destornillador Phillips.
- Gire el tornillo de ajuste hacia la derecha y aumentará la rotación del motor. Gire el tornillo de ajuste hacia la izquierda y se reducirá la rotación del motor.
- El carburador se suele ajustar antes del envío. Si se debe reajustar, póngase en contacto con un agente de servicio autorizado.



INSTRUCCIONES DE SERVICIO

PRECAUCIÓN: Antes de realizar algún trabajo en la desbrozadora, detenga siempre el motor y desconecte el conector de la bujía (consulte "comprobación de la bujía").
Utilice siempre guantes de protección.

Para garantizar una larga vida útil y para evitar daños en el equipo, realice las siguientes operaciones de mantenimiento periódicamente.

Inspección diaria y mantenimiento

- Antes de la puesta en funcionamiento, compruebe la máquina por si tiene tornillos flojos o si faltan piezas. Preste especial atención al apriete de la cuchilla o del cabezal de corte de nylon.
- Antes de la puesta en funcionamiento, compruebe siempre que el conducto de paso de aire de refrigeración y las aletas del cilindro no estén obstruidas.
Límpielos si es necesario.
- Realice diariamente las siguientes operaciones tras el uso:
 - Limpie el exterior de la desbrozadora y realice una inspección para localizar daños.
 - Limpie el filtro de aire. Cuando trabaje en condiciones extremas de polvo, limpie el filtro varias veces al día.
 - Compruebe si la cuchilla o el cabezal de corte de nylon están estropeados y asegúrese de que se hayan montado firmemente.
 - Compruebe que haya una diferencia suficiente entre la velocidad de ralentí y la velocidad de trabajo para garantizar que la herramienta de corte esté parada mientras el motor funciona al ralentí (si es necesario, reduzca la velocidad de ralentí).
Si en las condiciones de ralentí la herramienta sigue funcionando, consulte con su agente de servicio autorizado más cercano.
- Compruebe el funcionamiento del interruptor I-O, la palanca de desbloqueo, la palanca de control y el botón de bloqueo.

Afilado de la cuchilla metálica

PRECAUCIÓN:

Las cuchillas metálicas solo deben afilarse en un centro autorizado. El afilado manual puede provocar desequilibrios de la herramienta de corte que causan vibraciones y dañan el equipo.

NOTA: Para aumentar la duración de la cuchilla de corte dé la vuelta a la cuchilla una vez para que se gasten ambos lados.

SUSTITUCIÓN DEL ACEITE DEL MOTOR

El aceite de motor deteriorado acortará en gran medida la duración de las partes deslizantes y giratorias. Asegúrese de comprobar el período y la cantidad de reemplazo.



ATENCIÓN: En general, la unidad principal del motor y el aceite de motor permanecen calientes después de apagar el motor.
Al reemplazar el aceite, compruebe que la unidad principal del motor y el aceite de motor se hayan enfriado suficientemente. De lo contrario, puede haber un riesgo de quemaduras.

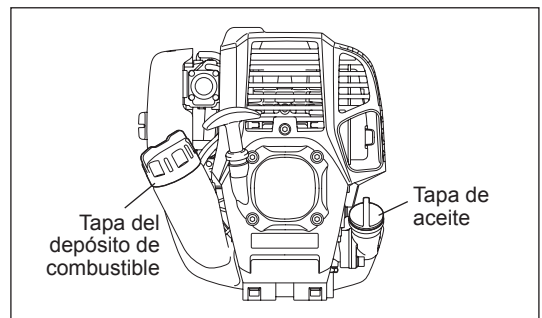
Nota: Si se llena aceite por encima del límite, puede contaminarse o incendiarse y provocar un humo blanco.

Intervalo de reemplazo: Inicialmente cada 20 horas de uso y posteriormente cada 50 horas de uso

Aceite recomendado: Aceite SAE10W-30 de Clasificación API Clase SF o superior (motor de 4 tiempos para automoción)

Para el reemplazo, siga este procedimiento.

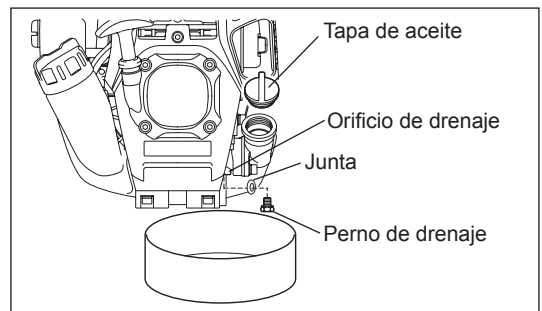
- 1) Compruebe que la tapa del depósito de combustible esté apretada de forma segura.
- 2) Coloque un contenedor grande (cazo, etc.) debajo del orificio de drenaje.



- 3) Quite el perno de drenaje y, a continuación, retire la tapa de aceite para drenar el aceite a través del orificio de drenaje.
En este momento, asegúrese de no perder la junta del perno de drenaje o ensuciar cualquier de los componentes extraídos.

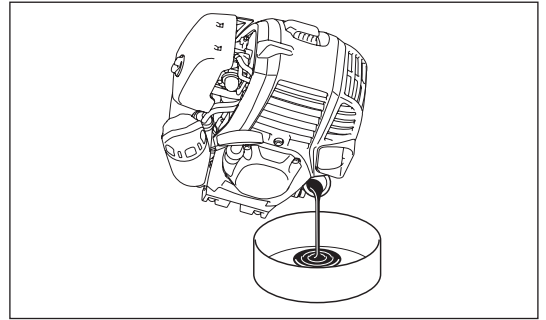
- 4) Cuando se haya drenado todo el aceite, combine la junta y el perno de drenaje y apriete firmemente el perno de drenaje para que no se afloje y provoque fugas.

* Utilice un paño para limpiar el aceite que pueda haber quedado adherido al perno y al equipo.

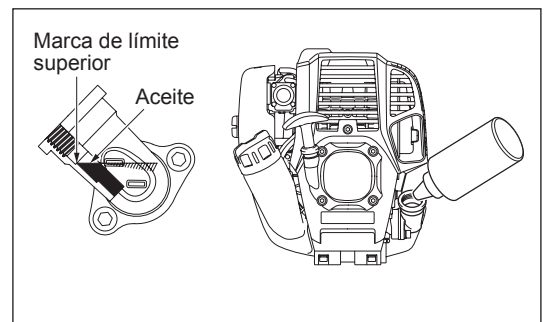
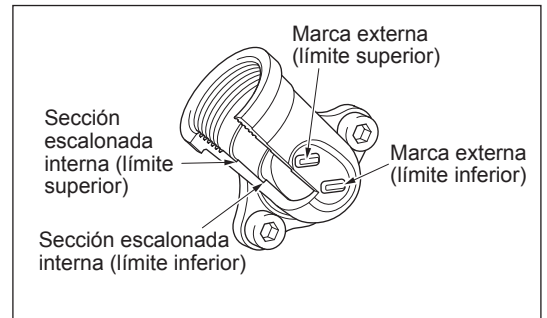


Método de drenaje alternativo

Retire la tapa de aceite, incline la desbrozadora hacia el orificio de relleno de aceite y extraiga el aceite drenándolo. Recoja el aceite en un contenedor.



- 5) Ajuste el nivel del motor y rellene gradualmente hasta la marca de límite superior con aceite nuevo.
- 6) Tras rellenar, apriete firmemente la tapa de aceite, para que no se afloje y no provoque fugas. Si la tapa de aceite no está bien apretada, puede tener fugas.



ASPECTOS SOBRE EL ACEITE

- Nunca deseche el motor de aceite reemplazado en la basura convencional, en el suelo o en la red de alcantarillado. La eliminación de los desechos de aceite está regulada por ley. Para eliminar esos desechos, siga las leyes y normativas aplicables. Si tiene alguna duda, póngase en contacto con un agente de servicio autorizado.
- El aceite se deteriorará aunque se guarde sin utilizar. Realice la inspección y el reemplazo a intervalos periódicos (reemplace con aceite nuevo cada 6 meses).

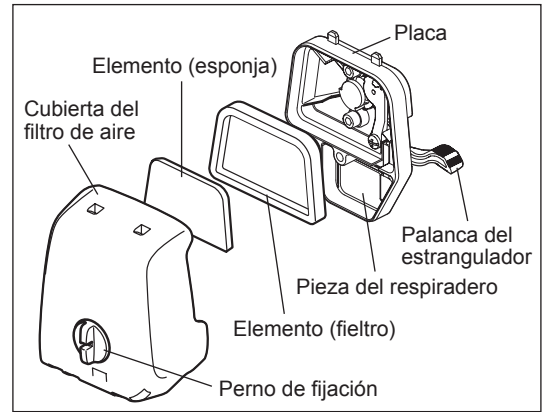
LIMPIEZA DEL FILTRO DE AIRE



PELIGRO: LOS MATERIALES INFLAMABLES ESTÁN ESTRUCTAMENTE PROHIBIDOS

Intervalo de limpieza e inspección: Diariamente (cada 10 horas de uso)

- Gire la palanca del estrangulador hasta el lado de cierre total y mantenga el carburador alejado del polvo o de la suciedad.
- Afloje el perno de fijación.
- Retire la cubierta del filtro de aire tirando de su lado inferior.
- Retire los elementos y golpéelos suavemente para eliminar la suciedad.
- Si los elementos están muy contaminados:
Retire los elementos, sumérgalos en agua templada o en agua con detergente neutro diluido y séquelos completamente. No los apriete ni los frote cuando los limpie.
- Antes de acoplar los elementos, asegúrese de secarlos completamente. Un secado insuficiente de los elementos puede dificultar la puesta en marcha.
- Retire el aceite adherido alrededor de la cubierta del filtro de aire y la parte del conducto de ventilación con un paño desechable.
- Encaje el elemento (esponja) en el elemento (fieltro).
- Encaje los elementos en la placa de forma que la esponja mire hacia la cubierta del filtro de aire.
- Acople inmediatamente la cubierta del filtro y apriétela con los pernos de fijación. (Cuando realice el montaje, coloque primero la pinza superior y después la pinza inferior.)



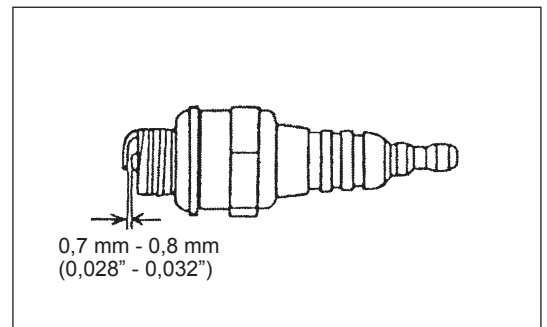
AVISO:

- Limpie los elementos varias veces al día, si se adhiere un exceso de suciedad. Los elementos sucios reducen la potencia del motor y dificultan la puesta en marcha del motor.
- Retire el aceite de los elementos. Si se continúa con las operaciones con los elementos sucios de aceite, el aceite del filtro de aire puede caer fuera y provocar una contaminación del medio ambiente.
- No coloque los elementos en el suelo o en un lugar sucio. De lo contrario, acumularán suciedad y el motor se puede dañar.
- Nunca utilice combustible para limpiar los elementos. El combustible los puede dañar.

COMPROBACIÓN DE LA BUJÍA

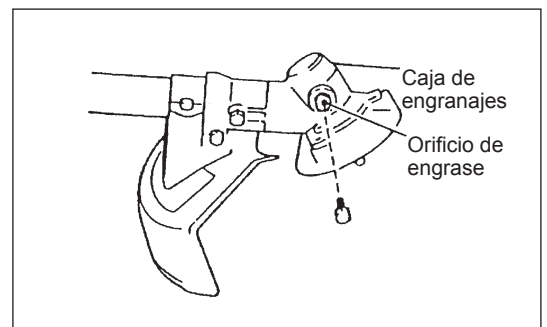
- Utilice solamente la llave de vaso suministrada para quitar o poner la bujía.
- La holgura entre los dos electrodos de la bujía debe ser de 0,7 - 0,8 mm (0,028" - 0,032"). Si la holgura es demasiado grande o pequeña, ajústela. Si la bujía está obstruida o contaminada, límpiela minuciosamente o reemplácela.

PRECAUCIÓN: Nunca toque el conector de la bujía mientras el motor está funcionando (peligro de recibir una descarga eléctrica de alta tensión).



SUMINISTRO DE GRASA A LA CAJA DE ENGRANAJES

- Suministre grasa (Shell Alvania 2 o equivalente) a la caja de engranajes a través del orificio de engrase cada 30 horas. (Puede comprar grasa original de MAKITA en su distribuidor MAKITA.)



LIMPIEZA DEL FILTRO DE COMBUSTIBLE

ADVERTENCIA: LOS MATERIALES INFLAMABLES ESTÁN EstrictAMENTE PROHIBIDOS

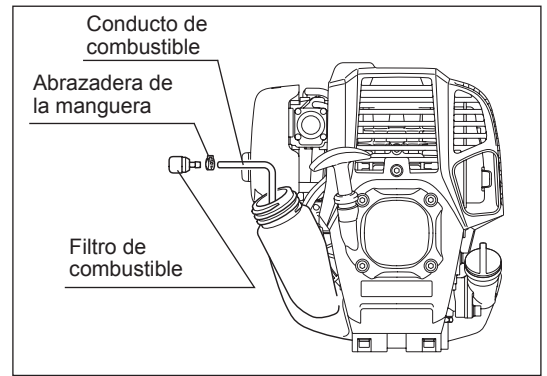
Intervalo de limpieza e inspección: Mensualmente (cada 50 horas de uso)

Cabezal de succión en el depósito de combustible

Compruebe el filtro de combustible periódicamente. Para comprobar el filtro de combustible, siga estos pasos.

- (1) Retire la tapa del depósito de combustible y drene el combustible hasta vaciar el depósito. Compruebe si hay materiales extraños en el interior del depósito. Si los hubiera, retírelos.
- (2) Extraiga el cabezal de succión mediante un gancho de alambre a través de la apertura del depósito.
- (3) Si el filtro de combustible está ligeramente obstruido, límpielo. Para limpiarlo, sacúdalo y golpéelo suavemente en combustible. Para evitar daños, no lo apriete ni lo frote. El combustible que se utiliza para la limpieza se debe desechar de acuerdo con el método especificado por la legislación de su país.
Si el filtro de combustible se ha endurecido o está muy obstruido, sustitúyalo.
- (4) Tras comprobarlo, limpiarlo o sustituirlo, empuje el filtro de combustible completamente hasta el fondo del depósito de combustible.

Un filtro de combustible obstruido o dañado puede provocar un suministro insuficiente de combustible y puede reducir la potencia del motor. Sustituya el filtro de combustible como mínimo trimestralmente para garantizar un suministro de combustible satisfactorio al carburador.



REEMPLAZO DEL CONDUCTO DE COMBUSTIBLE

PRECAUCIÓN: LOS MATERIALES INFLAMABLES ESTÁN EstrictAMENTE PROHIBIDOS

Intervalo de limpieza e inspección: Diariamente (cada 10 horas de uso)

Reemplazo: Anualmente (cada 200 horas de uso)

Reemplace el conducto de combustible cada año, independientemente de la frecuencia de utilización. La fuga de combustible puede provocar un incendio. Si se detecta una fuga durante la inspección, reemplace el conducto inmediatamente.

INSPECCIÓN DE LOS PERNOS, LAS TUERCAS Y LOS TORNILLOS

- Reapriete los pernos, tuercas, etc. flojos.
- Compruebe si hay fugas de combustible y aceite.
- Reemplace las piezas dañadas con piezas nuevas para garantizar un uso seguro.

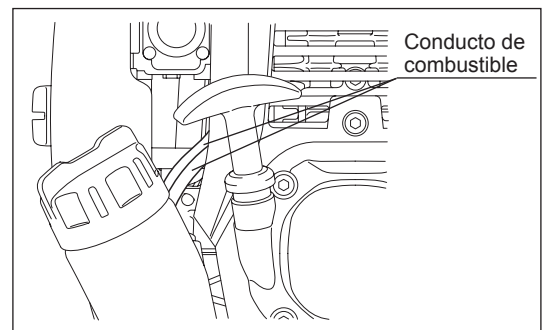
LIMPIEZA DE LAS PIEZAS

- Mantenga el motor siempre limpio.
- Mantenga las aletas del cilindro libres de polvo o suciedad. El polvo o la suciedad adheridos a las aletas provocarán el gripado del pistón.

REEMPLAZO DE LAS JUNTAS Y RETENES

Cuando vuelva a montar el motor tras desmontarlo, asegúrese de reemplazar las juntas y los retenes por unos nuevos.

Cualquier mantenimiento o trabajo de ajuste que no se describa en este manual solamente deben realizarlo agentes de servicio autorizados.

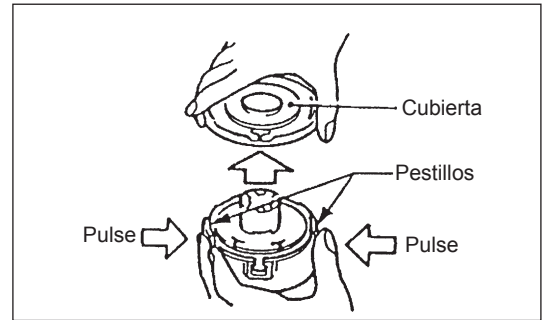


Reemplazo del hilo de nylon

(Para ultra auto 4)

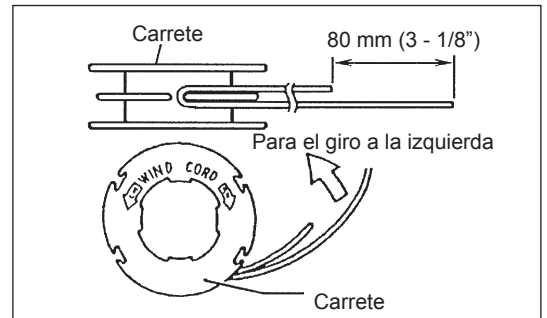
En primer lugar, pare el motor.

Pulse los pestillos del alojamiento hacia dentro para extraer la cubierta y después extraiga el carrete.

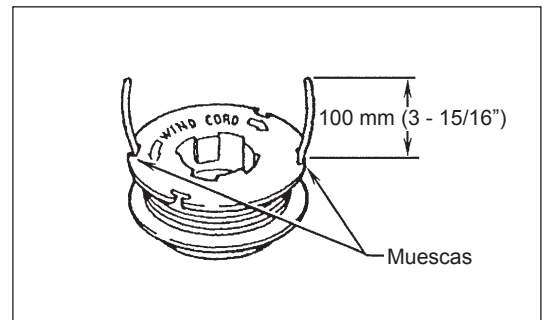


Enganche el centro del nuevo hilo de nylon en la muesca del centro del carrete, con un extremo del hilo extendido unos 80 mm (3 - 1/8") más que el otro.

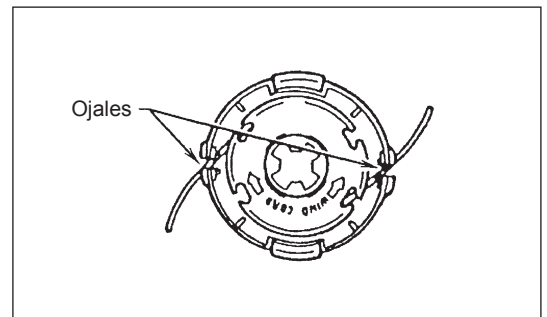
A continuación, enrolle ambos extremos firmemente alrededor del carrete en la dirección de giro del cabezal (dirección hacia la izquierda indicada por LH y dirección hacia la derecha indicada por RH en el lateral del carrete).



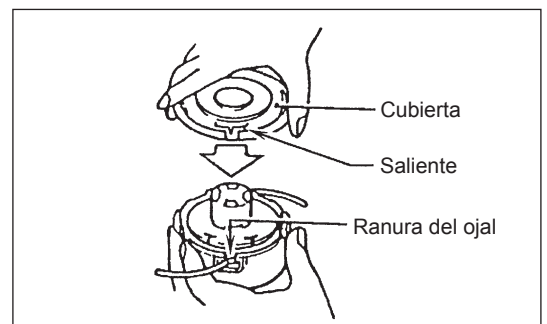
Enrolle la totalidad del hilo, excepto unos 100 mm (3 - 15/16"), dejando los extremos temporalmente enganchados alrededor de la hendidura del lateral del carrete.



Monte el carrete en el alojamiento de forma que las ranuras y los salientes del carrete coincidan con los del alojamiento. Mantenga el lado con letras en el carrete visible hacia arriba. Ahora desenganche los extremos del hilo de su posición temporal y haga pasar los hilos por los ojales hasta que sobresalgan del alojamiento.



Alinee el saliente del lado inferior de la cubierta con las ranuras de los ojales. A continuación, presione firmemente la cubierta en el alojamiento para fijarla.

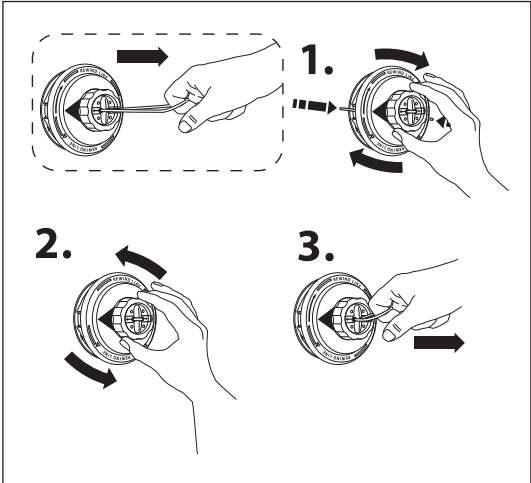


(Para Proulx)

En primer lugar, pare el motor.

Sujete el alojamiento firmemente y gire el carrete en el sentido de las agujas del reloj hasta que el hilo de nylon restante se retraiga en el alojamiento y, a continuación, gire hacia atrás y hacia delante para liberar la tensión del hilo.

Sujete el asidor encima del carrete y tire de él para sacarlo del carrete.

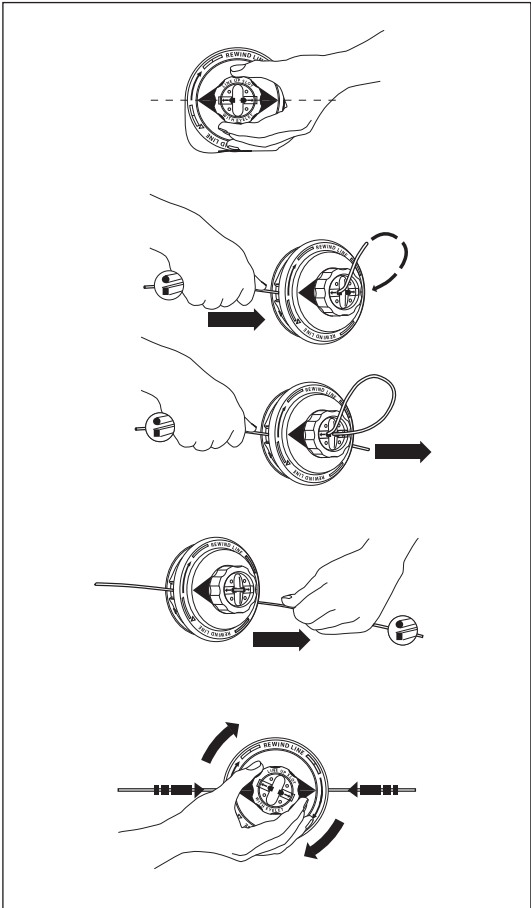


Prepare un hilo de nylon con las siguientes especificaciones.
4,5 m (15 pies) de longitud
Hilo redondo de 2,4 mm (0,095") de diámetro o hilo cuadrado diagonal de 2,0 mm (0,08").
Alinee la flecha del carrete con los ojales del alojamiento.

Inserte un extremo del hilo de nylon en el ojal del lado del alojamiento, hágalo pasar por encima del carrete y reinsertelo en el segundo orificio encima del carrete. Empuje el hilo de nylon en los orificios hasta que el hilo pase por los ojales en el lado del alojamiento.

Empuje el hilo de nylon en los orificios haciéndolo pasar por los ojales del lado del alojamiento hasta una longitud igual en ambos lados.

Sujete el alojamiento firmemente y gire el carrete en el sentido de las agujas del reloj para rebobinar en hilo de nylon en el carrete.



(Para B&F4 / Z5)

ADVERTENCIA: Asegúrese de que la cubierta del cabezal de corte de nylon esté fijada al alojamiento correctamente como se describe más abajo. Si la cubierta no se fija correctamente, el cabezal de corte de nylon puede salir despedido y provocar graves lesiones personales.

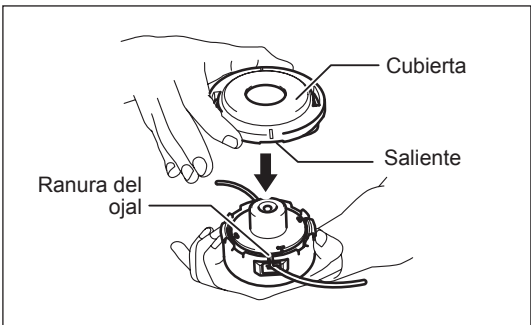
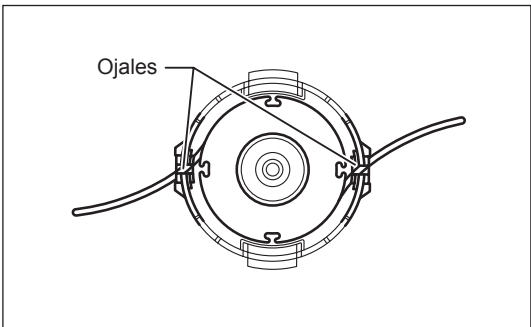
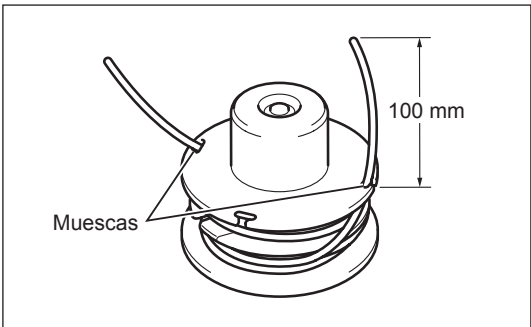
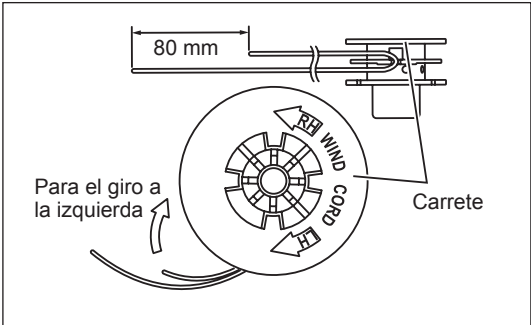
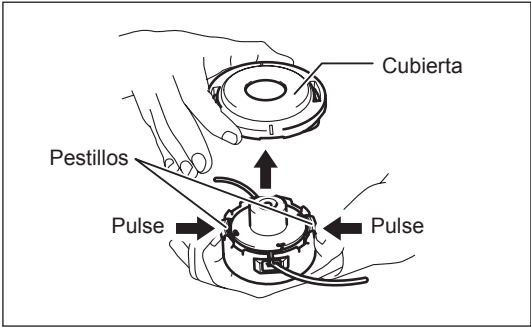
Presione hacia dentro los pestillos del alojamiento y tire hacia arriba para extraer la cubierta.
Descarte el hilo de nylon restante.

Enganche la mitad del nuevo hilo de nylon en la ranura que se encuentra en el centro del carrete entre los 2 canales proporcionados para el hilo de nylon. Un lado del hilo debe ser unos 80 mm más largo que el otro lado.
Enrolle ambos extremos firmemente alrededor del carrete en la dirección marcada en el cabezal para la dirección izquierda, indicada con LH.

Enrolle la totalidad del hilo, excepto unos 100 mm, dejando los extremos temporalmente enganchados alrededor de la muesca del lateral del carrete.

Monte el carrete en el alojamiento de forma que las ranuras y los salientes del carrete coincidan con los del alojamiento. Mantenga el lado con letras en el carrete visible hacia arriba. Ahora desenganche los extremos del hilo de su posición temporal y haga pasar los hilos por los ojales hasta que sobresalgan del alojamiento.

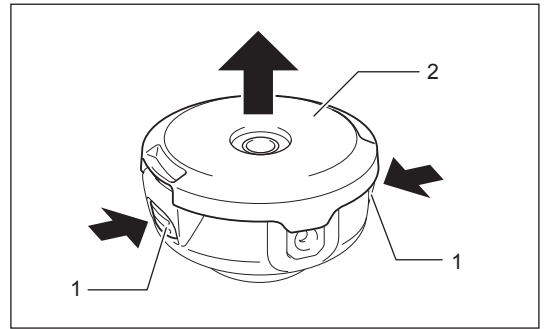
Alinee el saliente del lado inferior de la cubierta con las ranuras de los ojales. A continuación, presione firmemente la cubierta en el alojamiento para fijarla. Asegúrese de que los pestillos están totalmente extendidos en la cubierta.



(Para el tipo de sacudida y despliegue)

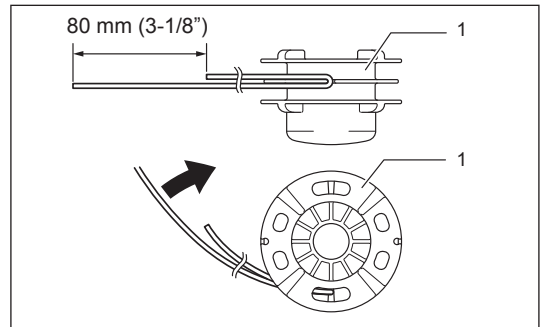
En primer lugar, pare el motor.

Pulse los pestillos del alojamiento (1) hacia dentro para extraer la cubierta (2) y después extraiga el carrete.

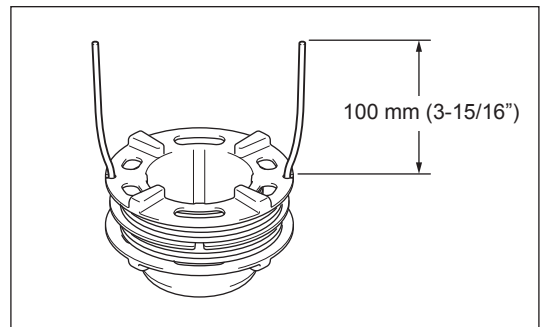


Enganche el centro del hilo de nylon en la muesca del centro del carrete (1), con un extremo del hilo extendido unos 80 mm (3 - 1/8") más que el otro.

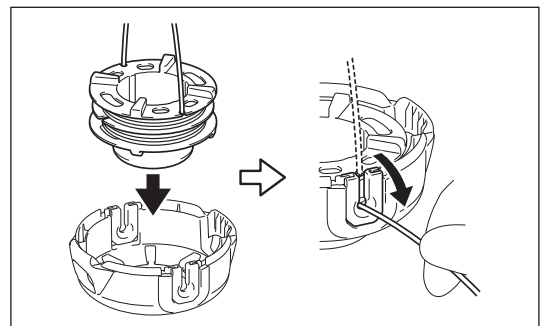
A continuación, enrolle ambos extremos firmemente alrededor del carrete en la dirección de giro del cabezal (dirección hacia la izquierda indicada por LH en el lateral del carrete).



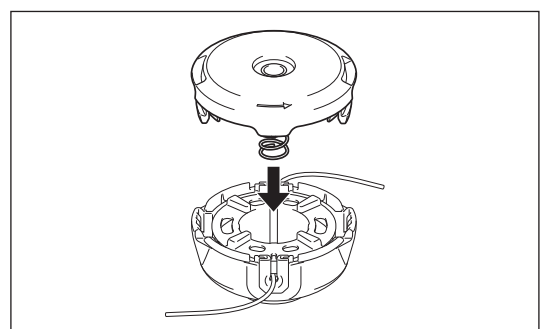
Enrolle la totalidad del hilo, excepto unos 100 mm (3 - 15/16"), dejando los extremos temporalmente enganchados alrededor de la hendidura del lateral del carrete.



Monte el carrete en el chasis de forma que las ranuras y los salientes del carrete coincidan con los del chasis. Mantenga el lado con letras en el carrete visible hacia arriba. Ahora desenganche los extremos del hilo de su posición temporal y haga pasar los hilos por los ojales hasta que sobresalgan del alojamiento.



Alinee el saliente del lado inferior de la cubierta con las ranuras de los ojales. A continuación, empuje la cubierta firmemente sobre el alojamiento para fijarlo.



ALMACENAMIENTO



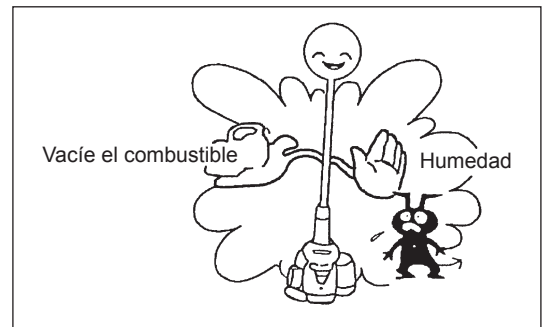
ADVERTENCIA: Cuando drene el combustible, asegúrese de detener el motor y comprobar que se haya enfriado.

El motor puede estar aún caliente justo después de detenerlo y puede causar quemaduras, es inflamable y puede provocar un fuego.



ATENCIÓN: Cuando la herramienta no se vaya a usar durante mucho tiempo, drene todo el combustible del depósito de combustible y el carburador y manténgalo en un lugar seco y limpio.

- Drene el combustible del depósito de combustible y del carburador de acuerdo con el siguiente procedimiento:
 - 1) Extraiga la tapa del depósito de combustible y drene el combustible completamente.
Si queda algún objeto extraño en el depósito de combustible, retírelo completamente.
 - 2) Extraiga el filtro de combustible de la abertura de relleno mediante un alambre.
 - 3) Presione la bomba de combustible hasta que se haya drenado el combustible y drene el combustible que entra en el depósito de combustible.
 - 4) Vuelva a colocar el filtro en el depósito de combustible y fije firmemente la tapa del depósito de combustible.
 - 5) A continuación, continúe con la máquina encendida hasta que el motor se detenga.
- Extraiga la bujía y aplique varias gotas de aceite de motor a través del orificio de la bujía.
- Tire suavemente de la empuñadura de arranque para que el aceite de motor se extienda por el motor y, a continuación, vuelva a colocar la bujía.
- Monte la cubierta en la cuchilla de corte.
- En general, almacene la máquina en posición horizontal, o si no es posible, coloque la máquina de forma que el motor quede debajo de la herramienta de corte. De lo contrario puede verterse aceite de motor desde el interior. Preste especial atención a cómo se almacena la máquina para evitar que caiga. De lo contrario, se pueden provocar lesiones personales.
- Mantenga el combustible drenado en un contenedor especial en una zona a la sombra y bien ventilada.



Atención tras un almacenamiento prolongado

- Antes de poner en marcha la herramienta tras estar apagada durante un período de tiempo prolongado, asegúrese de reemplazar el aceite (consulte la P 159). El aceite se deteriorará durante el tiempo que la máquina haya permanecido sin utilizar.

Ubicación del fallo

Avería	Sistema	Observación	Causa
El motor no se enciende o lo hace con dificultad	Sistema de encendido	Chispa de encendido correcta	Avería en el sistema de suministro de combustible o compresión, defecto mecánico
		No hay chispa de encendido	Se ha utilizado el interruptor de PARADA, avería del cableado o cortocircuito, bujía o conector defectuoso, módulo de encendido defectuoso
	Suministro de combustible	Depósito de combustible lleno	Posición incorrecta del estrangulador, carburador defectuoso, línea de suministro de combustible doblada o bloqueada, combustible sucio
Problemas de arranque en caliente	Compresión	No hay compresión	La junta inferior del cilindro es defectuosa, los retenes del cigüeñal están dañados, el cilindro o los segmentos del pistón están dañados o el sellado de la bujía es incorrecto
	Avería mecánica	El arrancador no funciona	Muelle del arrancador roto, piezas rotas dentro del motor
El motor arranca pero se para	Suministro de combustible	Depósito lleno, se produce la chispa de encendido	Carburador contaminado, límpielo
Rendimiento insuficiente	Varios sistemas pueden verse afectados simultáneamente	Depósito lleno	Ajuste del ralenti incorrecto, carburador sucio
		Bajo ralenti del motor	Ventilación del depósito defectuosa, línea de suministro de combustible interrumpida, cable o interruptor de PARADA defectuoso
			Filtro de aire sucio, carburador sucio, silenciador obstruido, conducto de escape del cilindro obstruido

Elemento	Tiempo de funcionamiento								
		Antes del uso	Después de la lubricación	Diariamente (10 h)	30 h	50 h	200 h	Apagado/descanso	P correspondiente
Aceite de motor	Inspeccione	○							154
	Reemplace					○*1			159
Apretar piezas (perno, tuerca)	Inspeccione	○							162
Depósito de combustible	Limpie/inspeccione	○							—
	Vacíe el combustible							○*3	167
Palanca de la mariposa de gases	Compruebe el funcionamiento		○						—
Interruptor de parada	Compruebe el funcionamiento		○						158
Cuchilla de corte	Inspeccione	○		○					151
Rotación a baja velocidad	Inspeccione/ajuste			○					158
Filtro de aire	Limpie			○					161
Bujía	Inspeccione			○					161
Conducto de aire de refrigeración	Limpie/inspeccione			○					162
Conducto de combustible	Inspeccione			○					162
	Reemplace						◎*2		—
Grasa de la caja de engranajes	Rellene				○				161
Filtro de combustible	Limpie/Reemplace					○			162
Holgura entre la válvula de entrada de aire y la válvula de descarga de aire	Ajuste						◎*2		—
Revisión del motor							◎*2		—
Carburador	Vacíe el combustible							○*3	167

*1 Realice el reemplazo inicial tras 20 horas de uso.

*2 Para la inspección de 200 horas de uso, consulte con un agente de servicio autorizado o su tienda de maquinaria.

*3 Tras vaciar el depósito de combustible, siga haciendo funcionar el motor y drene el combustible del carburador.

LOCALIZACIÓN Y SOLUCIÓN DE AVERÍAS

Antes de realizar una solicitud de reparación, compruebe usted mismo el problema. Si encuentra una anomalía, controle la máquina de acuerdo con la descripción de este manual. Nunca manipule ni desmonte ninguna pieza de forma contraria a la descripción. Si es necesario realizar reparaciones, póngase en contacto con un agente de servicio autorizado o un distribuidor local.

Estado anómalo	Causa probable (mal funcionamiento)	Solución
El motor no se enciende	No se ha accionado la bomba de cebado	Púlsela de 7 a 10 veces
	Se ha tirado del cable del arrancador a baja velocidad	Tire con fuerza
	Falta de combustible	Reposte combustible
	Filtro de combustible obstruido	Limpie
	Tubo de combustible doblado	Enderece el tubo de combustible
	Combustible deteriorado	El combustible deteriorado hace que la puesta en marcha sea más difícil. Reemplácelo con uno nuevo. (Reemplazo recomendado: 1 mes)
	Succión de combustible excesiva	Ajuste la palanca de la mariposa de gases entre una velocidad media y alta y tire de la empuñadura de arrancador hasta que se ponga en marcha el motor. Cuando se haya puesto en marcha el motor, la cuchilla de corte empezará a girar. Preste atención a la cuchilla de corte. Si el motor sigue sin encenderse, extraiga la bujía, seque el electrodo y vuelva a montarla en su posición original. A continuación, arranque como se ha especificado.
	Tapa de la bujía suelta	Acóplelo firmemente
	Bujía sucia	Limpie
	Holgura anómala de la bujía	Ajústela
	Otras anomalías de la bujía	Reemplace
	Anomalía del carburador	Solicite que se realice la inspección y mantenimiento.
	No se puede tirar de la cuerda del arrancador	Solicite que se realice la inspección y mantenimiento.
Anomalía del sistema de transmisión	Solicite que se realice la inspección y mantenimiento.	
El motor se para al poco tiempo La velocidad del motor no aumenta	Calentamiento insuficiente	Realice la operación de calentamiento
	La palanca del estrangulador está ajustada en "CERRAR" aunque el motor se ha calentado.	Ajústela en "ABRIR"
	Filtro de combustible obstruido	Debe limpiarse o sustituirse
	Filtro de aire sucio u obstruido	Limpie
	Anomalía del carburador	Solicite que se realice la inspección y mantenimiento.
	Anomalía del sistema de transmisión	Solicite que se realice la inspección y mantenimiento.
La cuchilla de corte no gira ↓ Pare el motor inmediatamente	La tuerca de apriete de la cuchilla de corte se ha aflojado	Apriétela firmemente
	Pequeñas ramas atrapadas por la cuchilla de corte o la cubierta para impedir su dispersión.	Retire los objetos extraños
	Anomalía del sistema de transmisión	Solicite que se realice la inspección y mantenimiento.
La unidad principal vibra de forma anómala ↓ Pare el motor inmediatamente	La cuchilla de corte está rota, doblada o gastada	Reemplace la cuchilla de corte
	La tuerca de apriete de la cuchilla de corte se ha aflojado	Apriétela firmemente
	Se ha movido la parte convexa de la cuchilla de corte y el soporte de la cuchilla de corte.	Acóplelo firmemente
	Anomalía del sistema de transmisión	Solicite que se realice la inspección y mantenimiento.
La cuchilla de corte no se detiene inmediatamente ↓ Pare el motor inmediatamente	Rotación al ralentí elevada	Ajuste
	Se ha soltado el cable de la mariposa de gases	Acóplelo firmemente
	Anomalía del sistema de transmisión	Solicite que se realice la inspección y mantenimiento.
El motor no se para ↓ Haga funcionar el motor al ralentí y ajuste la palanca de la mariposa de gases en CERRAR	Conector desconectado	Acóplelo firmemente
	Anomalía del sistema eléctrico	Solicite que se realice la inspección y mantenimiento.

Cuando el motor no se ponga en marcha tras la operación de calentamiento:

Si no hay ninguna anomalía en los elementos comprobados, abra la mariposa de gases 1/3 y ponga en marcha el motor.

Obrigado por ter adquirido esta roçadeira a gasolina MAKITA. Temos o orgulho de recomendar a roçadeira a gasolina MAKITA que é o resultado dos nossos muitos anos de conhecimento, experiência e um programa de desenvolvimento detalhado.

Leia esta brochura cuidadosamente que se refere em pormenor aos vários pontos que irão demonstrar o fantástico desempenho. Assim poderá obter o melhor desempenho possível que a sua roçadeira a gasolina MAKITA pode proporcionar.



Índice	Página
Símbolos.....	170
Instruções de segurança	171
Dados técnicos	175
Designação de peças.....	177
Montagem da pega.....	178
Montagem do protector	179
Montagem da lâmina de corte ou da cabeça de corte em nylon	180
Antes de iniciar o funcionamento	182
Manuseamento correcto da máquina.....	184
Pontos sobre o funcionamento e como parar.....	185
Instruções de serviço.....	187
Armazenamento	195

SÍMBOLOS

Tome atenção aos seguintes símbolos ao ler o manual de instruções.

	Leia o manual de instruções e siga os avisos e as precauções de segurança!		Mantenha a área de funcionamento livre de pessoas e animais!
	Tenha um cuidado e atenção especiais!		Use um capacete e protecção para os olhos e ouvidos!
	Proibido!		Velocidade máxima admissível da ferramenta
	Mantenha-se afastado!		Combustível (Gasolina)
	Perigo de objectos voadores!		Arranque manual do motor
	Proibido fumar!		Paragem de emergência
	Sem chamas abertas!		Primeiros-socorros
	Deve utilizar luvas de protecção!		LIGAR/ARRANCAR
	Use botas resistentes com solas não derrapantes. Recomenda-se a utilização de botas de segurança com biqueira de aço!		DESLIGAR/PARAR
	Recuo!		

INSTRUÇÕES DE SEGURANÇA

Instruções gerais

- Leia este manual de instruções para se familiarizar com o manuseamento do equipamento. Utilizar este equipamento sem entender como operá-lo correctamente pode resultar em ferimentos graves em si ou em outros.
- É aconselhável emprestar o equipamento apenas a pessoas que demonstraram ter experiência. Empréstimo sempre este manual de instruções ao mesmo tempo.
- Se é a primeira vez que utiliza uma roçadeira, consulte o seu revendedor para instruções básicas.
- Crianças e pessoas novas com menos de 18 anos não devem operar este equipamento. Pessoas com mais de 16 anos podem, no entanto, utilizar o dispositivo para efeitos de treino, apenas durante a supervisão de um formador qualificado.
- Utilize com o máximo de cuidado e atenção.
- Opere apenas se estiver em boas condições físicas. Efectue todos os trabalhos com calma e cuidado. O utilizador deve aceitar a responsabilidade pelos que estão em sua volta.
- Nunca utilize o equipamento após o consumo de álcool ou drogas, ou se estiver cansado ou doente.
- As regulamentações nacionais podem proibir a utilização da máquina.

Utilização pretendida da máquina

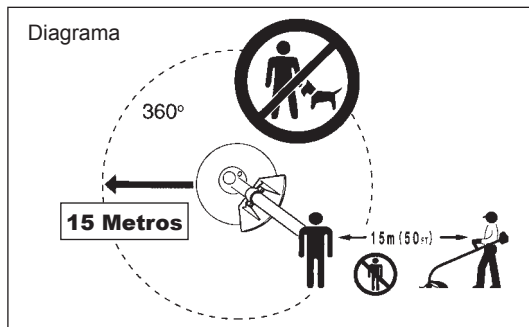
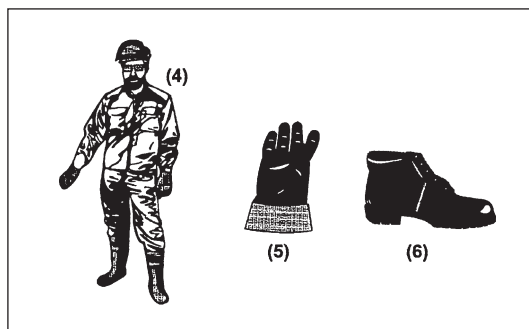
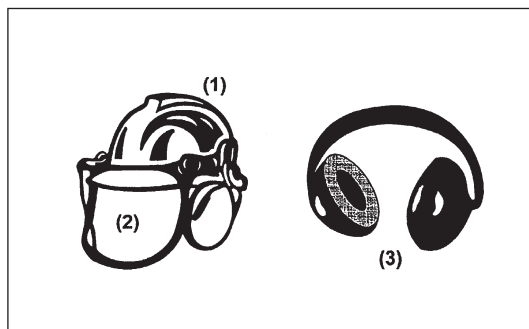
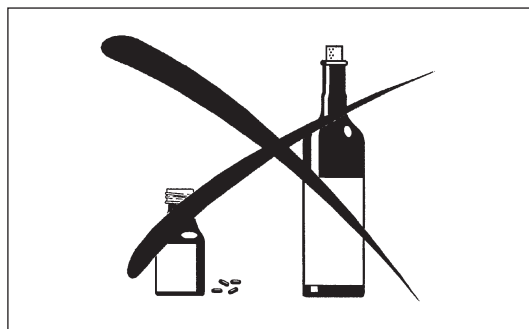
- Este equipamento destina-se apenas a cortar relva, ervas daninhas, arbustos, vegetação rasteira. Não deve ser utilizado para outros fins como aparar sebes, uma vez que pode causar ferimentos.

Equipamento de protecção pessoal

- Utilize sempre roupas que sejam funcionais e apropriadas ao seu trabalho, isto é, que fiquem justas mas não demasiado apertadas ao ponto de causar um movimento desconfortável. Não utilize joalheria ou roupas que possam ficar presas nos arbustos.
- Para evitar ferimentos na cabeça, olhos, mãos ou pés, assim como para proteger a sua audição, deve utilizar o seguinte equipamento e roupa de protecção durante o funcionamento.
- Utilize um capacete sempre que existir risco de queda de objectos. Deve verificar regularmente se existem danos no capacete protector (1) e deve substituí-lo, no mínimo, após 5 anos. Utilize apenas capacetes protectores aprovados.
- O visor (2) do capacete (ou óculos, em alternativa) protege a face de resíduos e pedras. Durante a utilização, utilize sempre óculos ou um visor para evitar ferimentos oculares.
- Use equipamento de protecção contra ruído adequado para evitar deficiências auditivas (protector auditivo (3), tampões para os ouvidos etc.).
- Os fatos-macaco (4) protegem contra pedras e resíduos. Recomendamos vivamente que o utilizador use fatos-macaco.
- As luvas (5) fazem parte do equipamento indicado e devem ser sempre utilizadas durante a utilização.
- Ao usar o equipamento, use sempre sapatos resistentes (6) com uma sola não derrapante. Estes sapatos protegem contra ferimentos e asseguram um bom apoio.

Ligar a roçadeira

- Certifique-se de que não há crianças ou outras pessoas a trabalhar num raio de 15 metros (50 pés), tome também atenção a animais nas proximidades.
- Antes da utilização, certifique-se sempre de que o equipamento está seguro: Certifique-se de que a ferramenta de corte é segura, de que a alavanca do acelerador pode ser operada facilmente e de que o bloqueio da alavanca do acelerador está a funcionar correctamente.
- A rotação da ferramenta de corte durante a marcha lenta é proibida. Consulte o seu revendedor se achar que o equipamento pode precisar de ajustes. Certifique-se de que as pegadas estão limpas e secas e de que o botão de arranque/paragem está a funcionar correctamente.

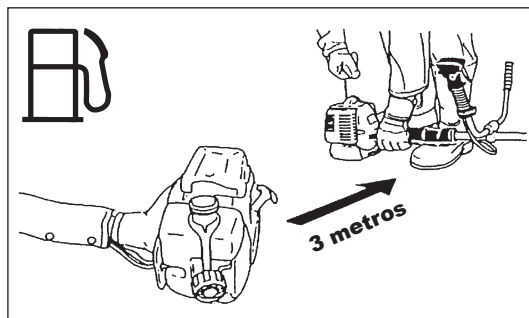
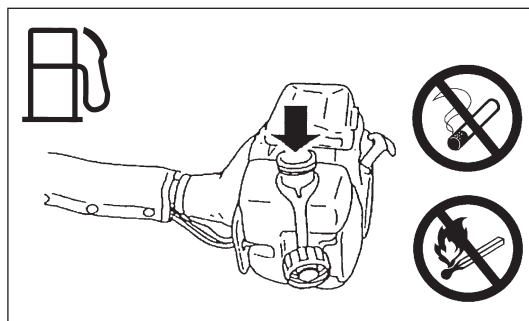
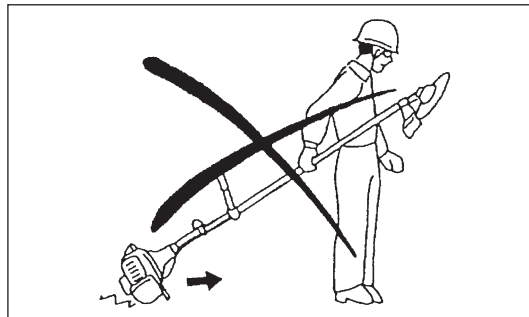
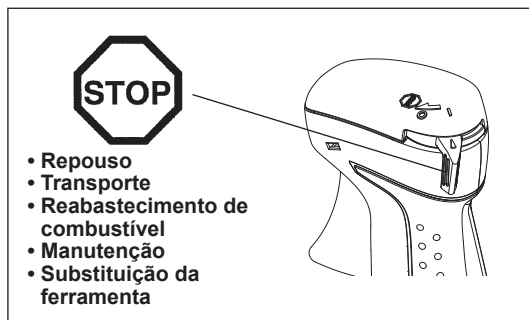
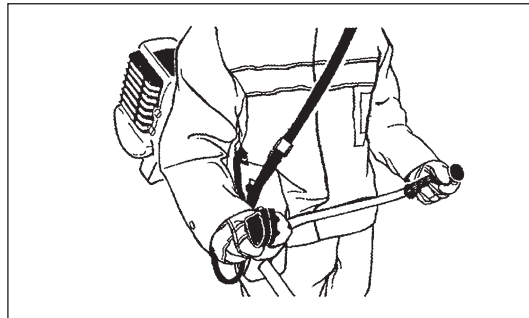
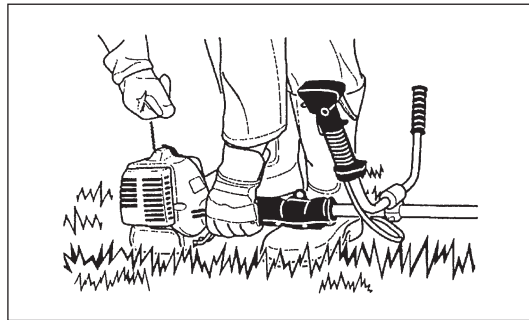


Ligue a roçadeira apenas de acordo com as instruções.

- Não utilize outros métodos para arrancar o motor!
- Utilize a roçadeira e as ferramentas apenas para as aplicações especificadas.
- Ligue o motor apenas após a conclusão da montagem. Não opere o equipamento até que todos os acessórios apropriados estejam fixos!
- Antes de arrancar, certifique-se de que a ferramenta de corte não está em contacto com objectos duros como ramos, pedras etc., uma vez que a ferramenta de corte irá rodar ao arrancar.
- Desligue o motor imediatamente se ocorrer algum tipo de problema no motor.
- Caso a ferramenta de corte atinja pedras ou outros objectos duros, desligue imediatamente o motor e inspecione a ferramenta de corte.
- Inspeccione a ferramenta de corte em intervalos curtos regulares para se certificar de que não está danificada (detecção de fissuras utilizando o teste do toque).
- Se o equipamento sofrer um impacto ou queda, verifique o seu estado antes de continuar a trabalhar. Verifique o sistema de combustível por fugas de combustível e os comandos e dispositivos de segurança por avarias. Se existirem danos ou dúvidas, solicite o nosso centro de assistência autorizado para a inspecção e reparação.
- Opere o equipamento apenas com o arnês dos ombros, o qual deve ser correctamente ajustado antes de colocar a roçadeira em funcionamento. O arnês dos ombros deve estar ajustado ao tamanho do utilizador para evitar fadiga durante o manuseamento do equipamento. Nunca segure a roçadeira com uma mão durante a utilização.
- Durante o funcionamento, segure sempre a roçadeira com ambas as mãos. Certifique-se sempre de que tem um apoio seguro.
- Opere o equipamento de maneira a evitar a inalação dos gases de escape. Nunca arranque o motor num espaço fechado (risco de envenenamento por gás). O monóxido de carbono é um gás sem odor.
- Desligue sempre o motor quando estiver em repouso, ou se pretende deixar o equipamento sem vigilância, e coloque-o num local seguro para evitar ferimentos a outras pessoas e danos no equipamento.
- Nunca coloque a roçadeira quente sobre a relva seca ou em quaisquer outros materiais combustíveis.
- Instale sempre o resguardo da ferramenta de corte aprovado no equipamento antes de ligar o motor. Caso contrário, o contacto com a ferramenta de corte pode causar ferimentos graves.
- Todas as instalações de protecção e resguardos fornecidos com esta máquina devem ser usados durante o funcionamento.
- Nunca opere o motor se o silenciador de escape estiver avariado.
- Desligue o motor durante o transporte.
- Ao transportar o equipamento, instale sempre a tampa na lâmina de corte.
- Certifique-se de que o equipamento está seguro durante o transporte automóvel, de modo a evitar fugas de combustível.
- Durante o transporte, certifique-se de que o depósito de combustível está totalmente vazio.
- Quando descarregar o equipamento, nunca deixe cair o motor no chão, uma vez que tal pode danificar gravemente o depósito de combustível.
- Excepto em caso de emergência, nunca deixe cair nem atire o equipamento ao chão uma vez que isto pode danificá-lo gravemente.
- Lembre-se de levantar todo o equipamento do chão ao movê-lo. Arrastar o equipamento no seu depósito de combustível é muito perigoso e pode causar uma fuga de combustível, o que pode resultar num incêndio.

Abastecimento

- Desligue o motor durante o reabastecimento de combustível, mantenha-se longe das chamas abertas e não fume.
- Certifique-se de que produtos de óleo mineral não entram em contacto com a pele. Não inale o vapor do combustível. Use sempre luvas protectoras durante o reabastecimento. Mude e limpe a roupa protectora em intervalos regulares.
- Para evitar contaminação do solo (protecção ambiental), certifique-se de que não derrama combustível ou óleo no chão. Limpe a roçadeira imediatamente após o derramamento de combustível.
- Certifique-se de que o combustível não entra em contacto com as roupas. Se o combustível entrar em contacto com as suas roupas, mude essas roupas imediatamente (para evitar um incêndio).
- Inspeccione o tampão do depósito em intervalos regulares para se certificar de que está bem seguro e não pinga.
- Aperte, com cuidado, a tampa do depósito de combustível. Mude de local para arrancar o motor (pelo menos a 3 metros de distância de onde reabasteceu).
- Nunca reabasteça num espaço fechado. Os vapores de combustível acumulam ao nível do solo (risco de explosões).
- Transporte e armazene o combustível apenas em recipientes aprovados. Certifique-se de que o combustível armazenado não é acessível a crianças.



Método de funcionamento

- Utilize apenas com boa luz e visibilidade. Durante a época de Inverno, tenha cuidado com áreas escorregadias ou molhadas, gelo e neve (risco de escorregar). Certifique-se sempre de que tem um apoio seguro.
- Nunca corte acima da altura dos ombros.
- Nunca suba para uma escada.
- Nunca trepe árvores para efectuar uma operação de corte.
- Nunca trabalhe em superfícies instáveis.
- Remova areia, pedras, pregos etc encontrados na área de trabalho. Partículas estranhas podem danificar a ferramenta de corte e causar recuos perigosos.
- Antes de começar a cortar, certifique-se de que a ferramenta de corte atingiu a velocidade de funcionamento completa.
- Ao utilizar lâminas metálicas, oscile a ferramenta uniformemente em meio círculo da direita para a esquerda, tal como uma foice. Se relva ou ramos ficarem presos entre a ferramenta de corte e o resguardo, desligue sempre o motor antes da limpeza. Caso contrário, a rotação não intencional da lâmina pode provocar ferimentos graves.
- Descanse para evitar a perda de controlo causada pela fadiga. É aconselhável descansar 10 a 20 minutos por cada hora.

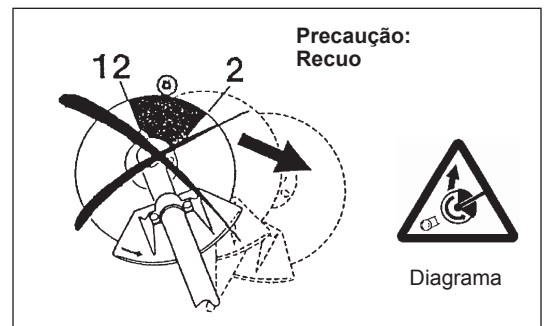


Ferramentas de corte

- Utilize uma ferramenta de corte aplicável para a tarefa em mãos. As cabeças de corte em nylon (cabeças de roçadeira) são adequadas para cortar relva. As lâminas metálicas são adequadas para cortar ervas daninhas, relva alta, arbustos, vegetação rasteira, mata, etc. Nunca utilize outras lâminas incluindo correntes oscilantes metálicas de várias peças e lâminas tipo mangual. Caso contrário, podem resultar ferimentos graves.
- Ao utilizar lâminas metálicas, evite “recuos” e esteja sempre preparado para um recuo accidental. Consulte a secção “Recuo” e “Prevenção de recuos”.

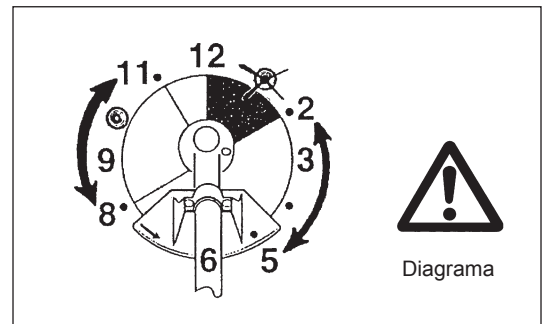
Recuo (impulso da lâmina)

- Recuo (impulso da lâmina) é uma reacção súbita a uma lâmina de corte presa. Assim que ocorrer, o equipamento é projectado para o lado ou na direcção do operador com força e pode causar ferimentos graves.
- Os recuos ocorrem particularmente ao aplicar a secção da lâmina entre as 12 e as 2 horas para sólidos, arbustos e árvores com um diâmetro de 3 cm ou mais.
- Para evitar recuos:
 - Aplique a secção entre as 8 e as 11 horas;
 - Nunca aplique a secção entre as 12 e as 2 horas;
 - Nunca aplique a secção entre as 11 e as 12 horas e entre as 2 e as 5 horas, a menos que o operador seja experiente e o faça a seu próprio risco;
 - Nunca utilize lâminas de corte perto de sólidos, como cercas, paredes, troncos de árvores e pedras;
 - Nunca utilize lâminas de corte na vertical, para operações como aparar sebes.



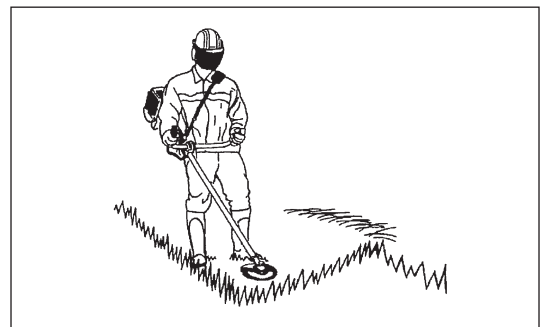
Vibração

- As pessoas com má circulação que sejam expostas a vibrações excessivas podem sofrer ferimentos nos vasos sanguíneos ou no sistema nervoso. As vibrações podem causar os seguintes sintomas nos dedos, mãos ou pulsos: “Adormecimento” (falta de sensação), formigueiro, dor, sensação de picadas, alteração da cor da pele ou da própria pele. Se ocorrer qualquer um destes sintomas, consulte um médico!
- Para reduzir o risco de “doença de Raynaud”, mantenha as suas mãos quentes durante a operação e tenha sempre o equipamento e os acessórios limpos.



Instruções de manutenção

- Solicite o nosso centro de assistência autorizado para efectuar a manutenção do equipamento, utilizando sempre peças de reposição genuínas. Uma reparação incorrecta e uma manutenção fraca podem encurtar a vida útil do equipamento e aumentar o risco de acidentes.
- O estado da roçadeira, em particular da ferramenta de corte dos dispositivos de protecção e também do arnês dos ombros tem de ser verificado antes de iniciar o trabalho. Deve também prestar especial atenção às lâminas de corte, que devem estar devidamente afiadas.
- Desligue o motor e remova o conector da vela de ignição ao substituir ou afiar as ferramentas de corte, e também ao limpar a roçadeira ou ferramenta de corte.



Nunca alise ou solde ferramentas de corte danificadas.

- Tenha cuidado com o ambiente. Evite utilizar desnecessariamente o acelerador para reduzir as emissões de poluição e ruído. Afine correctamente o carburador.
- Limpe o equipamento em intervalos regulares e certifique-se de que todos os parafusos estão bem apertados.
- Nunca efectue manutenção ou guarde o equipamento perto de chamas.
- Guarde sempre o equipamento em salas fechadas e com um depósito de combustível esvaziado.
- Ao limpar, efectuar a manutenção e ao guardar o equipamento, instale sempre a tampa na lâmina de corte.



Observe as instruções de prevenção de acidentes relevantes emitidas pelas associações comerciais relevantes e companhias de seguros. Não efectue quaisquer modificações no equipamento, pois isto estará a comprometer a sua segurança.

O desempenho do trabalho de manutenção ou reparação pelo utilizador é limitado às actividades descritas no manual de instruções. O resto do trabalho deverá ser efectuado por um Agente de Serviço Autorizado. Utilize apenas partes sobresselentes genuínas e acessórios lançados e fornecidos pela MAKITA.

Utilizar acessórios e ferramentas não aprovados provocará um risco maior de acidentes.

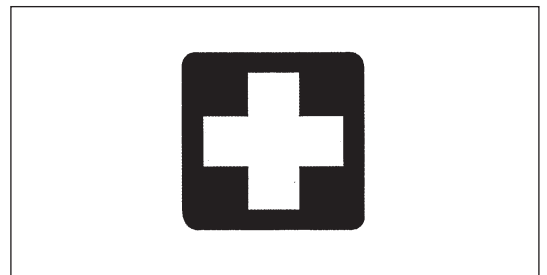
A MAKITA não aceitará qualquer responsabilização por acidentes ou danos provocados pela utilização de ferramentas de corte não aprovadas e dispositivos de fixação de ferramentas de corte ou acessórios.

Primeiros-socorros

Em caso de acidente, certifique-se de que uma caixa de primeiros socorros está disponível nas proximidades das operações de corte. Substitua imediatamente qualquer item retirado da caixa de primeiros socorros.

Ao pedir ajuda, forneça a seguinte informação:

- Local do acidente
- O que aconteceu
- Número de pessoas feridas
- Tipo de ferimentos
- O seu nome



Apenas para países europeus

Declaração de conformidade CE

A declaração de conformidade CE está incluída como Anexo A neste manual de instruções.

DADOS TÉCNICOS

Modelo			EM2650UH	EM2650UHN	EM2650LH	EM2650LHN
Tipo de pega			Pega em U		Pega fechada	
Dimensões: comprimento x largura x altura (sem a ferramenta de corte) mm			1.765 x 620 x 474		1.765 x 330 x 264	
Massa (sem resguardo de plástico e ferramenta de corte) kg			5,6		5,3	
Volume (depósito de combustível) L			0,6			
Volume (depósito de óleo) L			0,08			
Deslocamento do motor cm ³			25,4			
Desempenho máximo do motor kw			0,77 a 7.000 min ⁻¹			
Velocidade do motor a velocidade de rotação máxima recomendada min ⁻¹			10.000			
Velocidade máxima do veio (correspondente) min ⁻¹			7.400			
Velocidade a marcha lenta min ⁻¹			3.000			
Velocidade da embraiagem min ⁻¹			3.900			
Carburador			Tipo diafragma			
Sistema de ignição			Tipo íman sem contacto			
Vela de ignição tipo			NGK CMR4A			
Separação de eléctrodos mm			0,7 - 0,8			
Vibração por ISO 22867	Pega direita (Cabo traseiro)	a _{hv eq} m/s ²	3,4	—	6,5	5,0
		Incerteza K m/s ²	0,6	—	2,3	1,3
	Pega esquerda (Cabo dianteiro)	a _{hv eq} m/s ²	4,5	—	6,7	6,4
		Incerteza K m/s ²	0,6	—	1,9	1,4
Média do nível de pressão sonora para ISO 22868		L _{PA eq} dBA	96,6	—	96,6	91,6
		Incerteza K dBA	0,9	—	0,9	3,1
Média do nível de potência sonora para ISO 22868		L _{WA eq} dBA	105,5	—	105,5	101,6
		Incerteza K dBA	1,3	—	1,3	2,0
Combustível			Gasolina			
Óleo do motor			Óleo de classe SF ou superior com classificação API ou 10W-30 SAE (óleo para motor a 4 tempos de automóvel)			
Ferramentas de corte (diâmetro da lâmina de corte) mm			230			
Relação de transmissão			14/19			

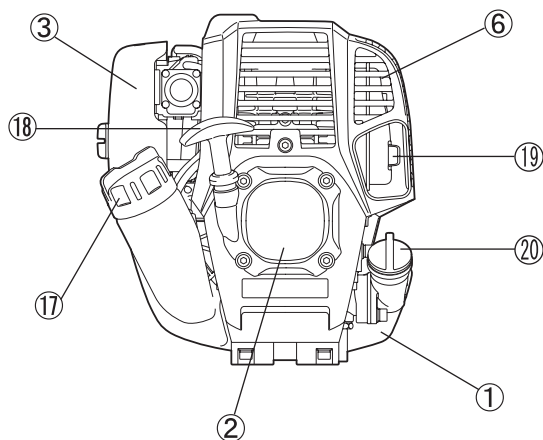
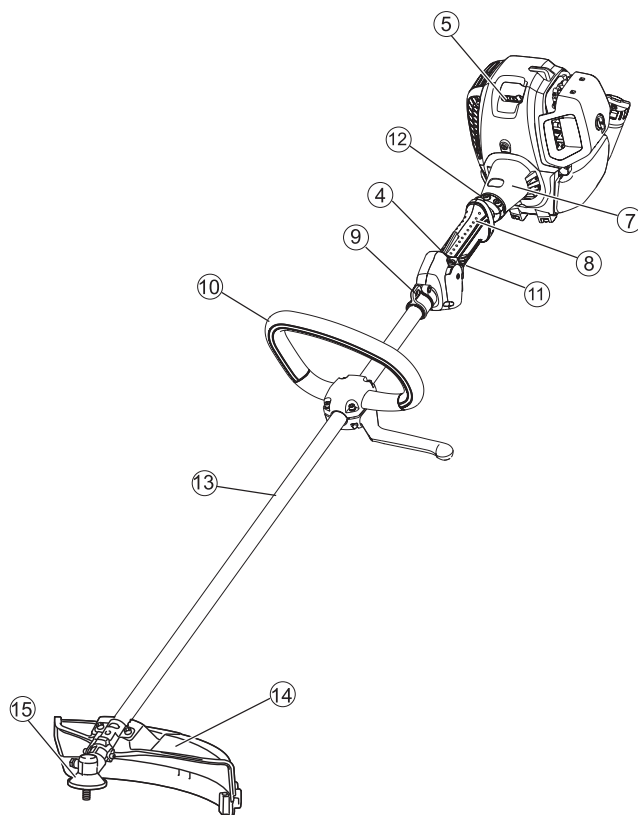
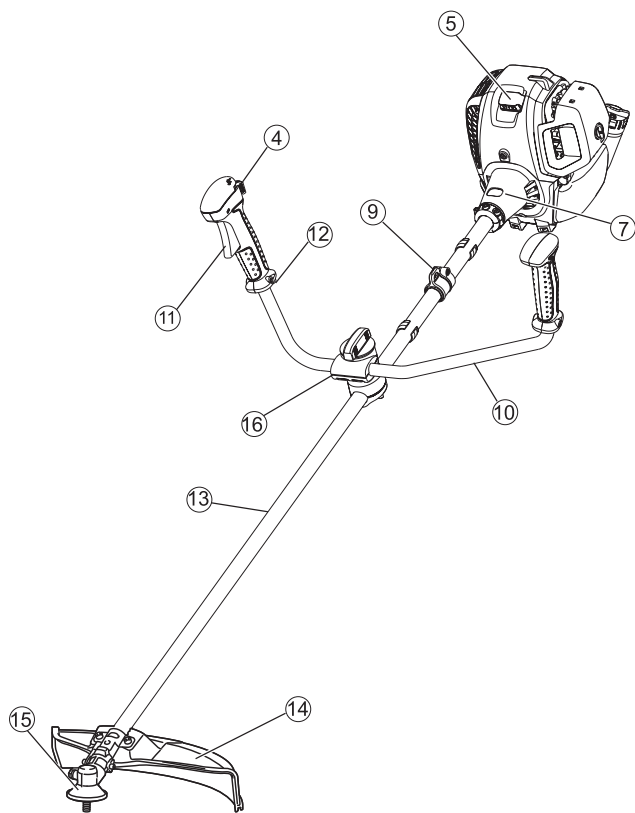
DADOS TÉCNICOS

Modelo		EM2651UH	EM2651LH	
Tipo de pega		Pega em U	Pega fechada	
Dimensões: comprimento x largura x altura (sem a ferramenta de corte) mm		1.765 x 620 x 474	1.765 x 330 x 264	
Massa (sem resguardo de plástico e ferramenta de corte) kg		5,8	5,3	
Volume (depósito de combustível) L		0,6		
Volume (depósito de óleo) L		0,08		
Deslocamento do motor cm ³		25,4		
Desempenho máximo do motor kw		0,77 a 7.000 min ⁻¹		
Velocidade do motor a velocidade de rotação máxima recomendada min ⁻¹		10.000		
Velocidade máxima do veio (correspondente) min ⁻¹		7.400		
Velocidade a marcha lenta min ⁻¹		3.000		
Velocidade da embraiagem min ⁻¹		3.900		
Carburador		Tipo diafragma		
Sistema de ignição		Tipo íman sem contacto		
Vela de ignição tipo		NGK CMR4A		
Separação de eléctrodos mm		0,7 - 0,8		
Vibração por ISO 22867	Pega direita (Cabo traseiro)	a _{hv eq} m/s ²	3,3	5,7
		Incerteza K m/s ²	0,8	1,2
	Pega esquerda (Cabo dianteiro)	a _{hv eq} m/s ²	4,3	6,0
		Incerteza K m/s ²	1,6	1,8
Média do nível de pressão sonora para ISO 22868		L _{PA eq} dBA	96,6	
		Incerteza K dBA	0,9	
Média do nível de potência sonora para ISO 22868		L _{WA eq} dBA	105,5	
		Incerteza K dBA	1,3	
Combustível		Gasolina		
Óleo do motor		Óleo de classe SF ou superior com classificação API ou 10W-30 SAE (óleo para motor a 4 tempos de automóvel)		
Ferramentas de corte (diâmetro da lâmina de corte) mm		230		
Relação de transmissão		14/19		

DESIGNAÇÃO DE PEÇAS

**EM2650UH
EM2650UHN
EM2651UH**

**EM2650LH
EM2650LHN
EM2651LH**



P	DESIGNAÇÃO DE PEÇAS
1	Depósito de combustível
2	Arrancador de rebobinamento
3	Filtro de ar
4	Botão I-O (ligar/desligar)
5	Vela de ignição
6	Silenciador de escape
7	Embraiagem
8	Cabo traseiro
9	Gancho
10	Pega
11	Alavanca de controlo
12	Cabo de controlo
13	Veio
14	Protector (Resguardo da ferramenta de corte)
15	Caixa de engrenagens/Caixa da extremidade
16	Suporte da pega
17	Tampa do abastecedor de combustível
18	Manípulo do dispositivo de arranque
19	Tubo de escape
20	Indicador do nível de óleo

MONTAGEM DA PEGA

PRECAUÇÃO: Antes de efectuar qualquer trabalho na roçadeira a gasolina, pare sempre o motor e retire o conector da vela de ignição da vela de ignição.

Use sempre luvas de protecção!

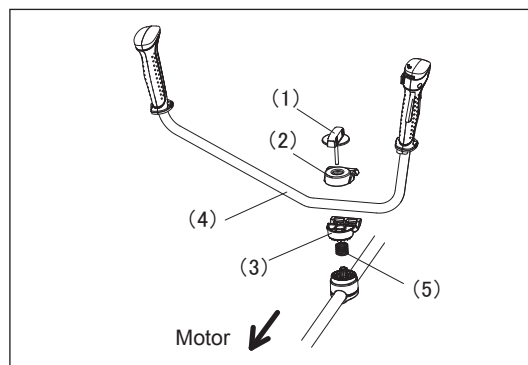
PRECAUÇÃO: Ligue a roçadeira a gasolina após a montagem completa.



Para máquinas com modelos de pega em U

- Desaperte o manípulo (1).
- Coloque a pega (4) entre o grampo da pega (2) e o suporte da pega (3).
- Ajuste a pega (4) para um ângulo que proporcione uma posição de trabalho confortável e depois fixe apertando firmemente o manípulo à mão (1).

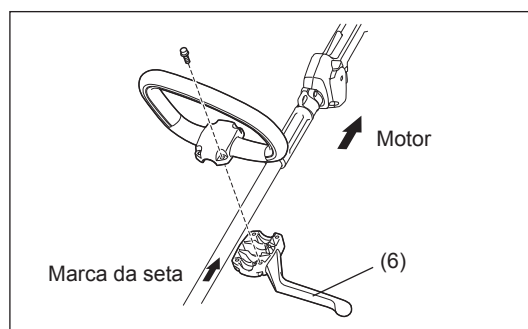
PRECAUÇÃO: Não se esqueça de montar a mola (5).



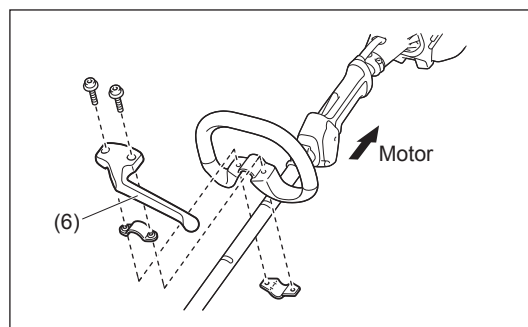
Para máquinas com modelos de pega fechada

- Fixe uma barreira (6) no lado esquerdo da máquina juntamente com a pega para protecção do operador.
- Certifique-se de que o punho/barreira está encaixado entre o espaçador e a marca da seta.

AVISO: Não remova ou encolha o espaçador. O espaçador mantém uma determinada distância entre ambas as mãos. Colocar o punho/barreira perto do outro punho para lá do comprimento do espaçador pode provocar a perda de controlo e ferimentos pessoais graves.



Nota: Em alguns países, a pega pode ser do tipo não barreira.



MONTAGEM DO PROTECTOR

AVISO:

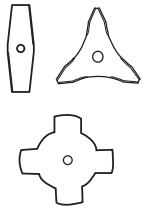


Utilize sempre a ferramenta com a combinação aprovada dos equipamentos de segurança. Caso contrário, o contacto com uma ferramenta de corte pode causar ferimentos graves.

PRECAUÇÃO:

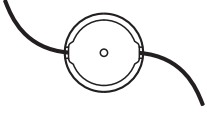
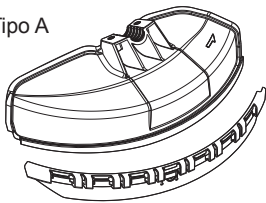
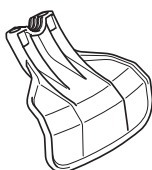
Aperte os parafusos dos lados direito e esquerdo para que o espaço entre o grampo e o protetor seja constante. Caso contrário, o protetor pode não funcionar conforme especificado.

Para obedecer às provisões de segurança aplicáveis, apenas devem ser utilizadas as combinações de ferramenta/protetor indicadas na tabela.

Utilização da lâmina metálica

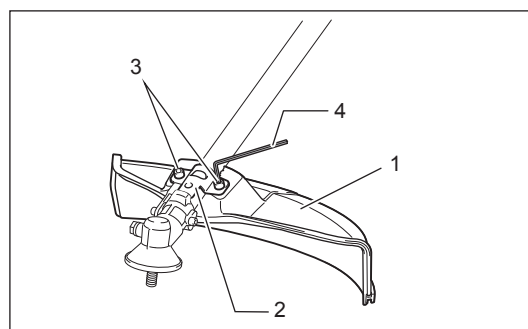
Lâmina metálica	Anilha do grampo, proteção e porca são necessárias	Protetor
		<p>Tipo A</p> 

Utilização da cabeça de corte em nylon

Cabeça de corte em nylon	Protetor	
	<p>Tipo A</p> 	<p>Tipo B</p> 

Para lâmina metálica

Fixe o tipo de protetor A (1) ao grampo (2) com dois parafusos M6 x 25 (3) com a chave sextavada 5 (4).



Para a cabeça de corte em nylon (para protetor tipo A)

PRECAUÇÃO:

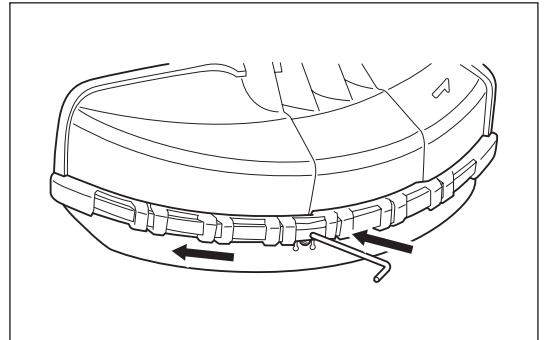
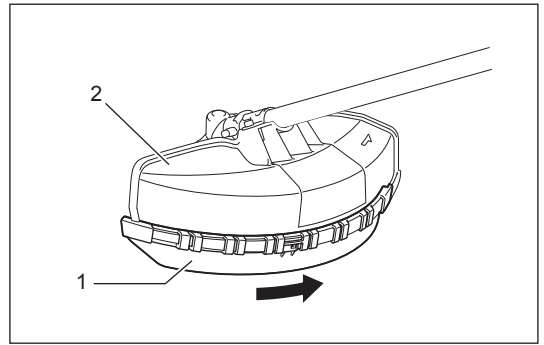
Certifique-se de pressionar a extensão do protetor (1) até estar totalmente introduzida.

Caso contrário, a extensão do protetor pode cair e resultar em ferimentos pessoais.

PRECAUÇÃO:

Tenha cuidado para não se ferir na roçadeira para cortar o fio de nylon.

1. Fixe o protetor ao grampo com dois parafusos M6 x 25.
2. Monte a extensão do protetor (1) deslizando-a para a posição, a partir da parte lateral do protetor da lâmina metálica (2).
3. Retire a fita que adere à roçadeira, que corta o fio de nylon, na extensão do protetor.
4. Para retirar a extensão do protetor, aplique uma chave sextavada 4 no entalhe no protetor, pressione-a e, ao mesmo tempo, deslize a extensão do protetor.

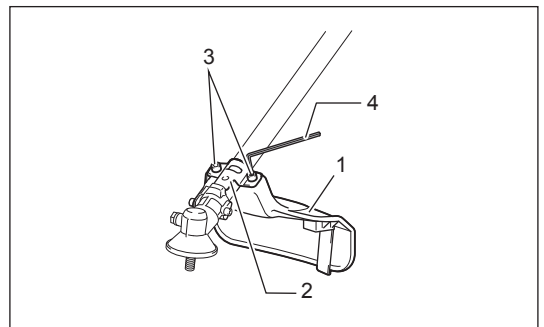


Para a cabeça de corte em nylon (para protetor tipo B)

PRECAUÇÃO:

Tenha cuidado para não se ferir na roçadeira para cortar o fio de nylon.

Fixe o protetor (1) ao grampo (2) com dois parafusos M6 x 25 (3) com a chave sextavada 5 (4).



MONTAGEM DA LÂMINA DE CORTE OU DA CABEÇA DE CORTE EM NYLON

PRECAUÇÃO:

Certifique-se de que utiliza sempre lâminas de corte ou cabeça de corte em nylon MAKITA.

- A lâmina de corte deve estar bem polida, livre de fendas ou quebras. Se a lâmina de corte for de encontro a uma pedra durante a operação, pare o motor e verifique a lâmina imediatamente.
- Deve polir ou substituir a lâmina de corte a cada três horas de funcionamento.
- Se a cabeça de corte em nylon for de encontro a uma pedra durante o funcionamento, pare o motor e verifique a cabeça de corte em nylon imediatamente.

PRECAUÇÃO:

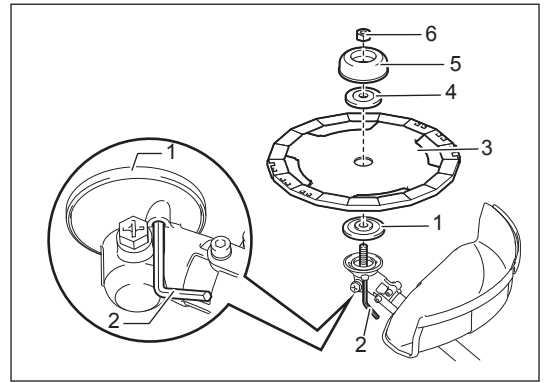
O diâmetro exterior da lâmina de corte tem de ser 230 mm. Nunca utilize lâminas com mais de 230 mm de diâmetro exterior. Vire a máquina ao contrário e pode substituir a lâmina de corte ou cabeça de corte em nylon facilmente.

Instalar a lâmina metálica

PRECAUÇÃO:

Use sempre luvas e coloque a cobertura da lâmina na lâmina metálica ao manusear a lâmina de corte.

1. Instale a anilha recetora (1) no eixo.
2. Introduza a chave sextavada 4 (2) no orifício na caixa de engrenagens e rode a anilha recetora (1) até que esteja apertada com a chave sextavada.
3. Monte a lâmina metálica (3) no veio para que o guia da anilha recetora (1) encaixe no orifício do mandril na lâmina metálica.
4. Instale a anilha do grampo (4), proteção (5) e fixe a lâmina de corte rodando a porca (6) no sentido contrário ao dos ponteiros do relógio. [Binário de aperto: 13 - 23 N-m]
5. Após instalar a lâmina metálica, retire a chave sextavada.

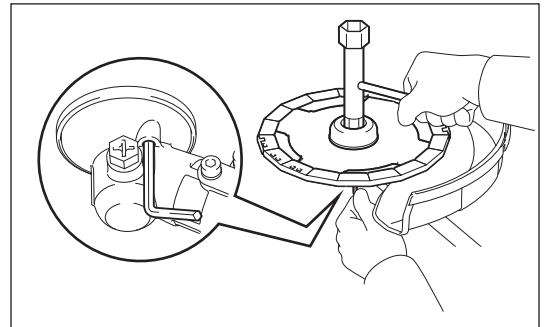


Para retirar a lâmina metálica, efetue o seguinte:

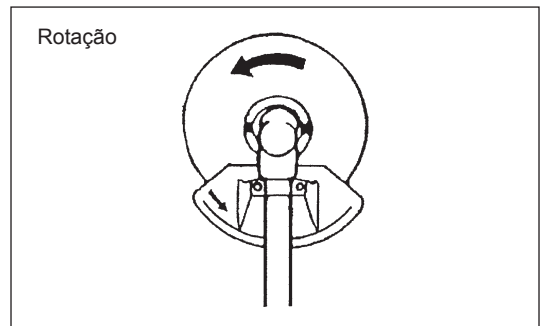
1. Introduza a chave sextavada no orifício na caixa de engrenagens e rode a anilha recetora até que esteja apertada com a chave sextavada.
2. Desaperte a porca no sentido dos ponteiros do relógio com a chave de bocas e retire a porca, proteção, anilha do grampo e chave sextavada.

NOTA:

A porca de aperto da lâmina de corte (com anilha de pressão) desgasta-se ao longo do tempo. Substitua a porca se aparecer algum desgaste ou deformação na anilha de pressão.

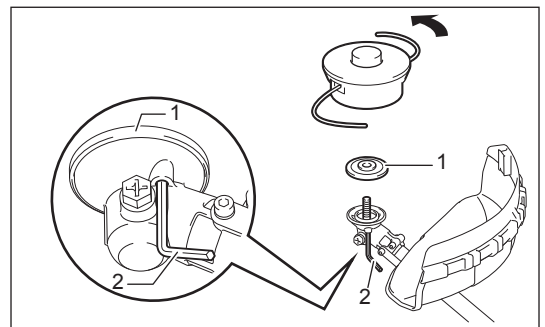


Certifique-se de que a lâmina é deixada bem para cima.



Instalar a cabeça de corte em nylon

1. Instale a anilha recetora (1) no eixo.
2. Introduza a chave sextavada (2) no orifício na caixa de engrenagens e rode a anilha recetora (1) até que esteja apertada com a chave sextavada.
3. Aperte a cabeça de corte em nylon no veio rodando-a no sentido contrário ao dos ponteiros do relógio.
4. Após instalar a cabeça de corte em nylon, retire a chave sextavada.



ANTES DE INICIAR O FUNCIONAMENTO

Inspecção e reabastecimento óleo do motor

- Execute o procedimento seguinte, com o motor arrefecido.
- Defina o nível do motor, retire a tampa do óleo (Fig. 1) e verifique se existe ou não óleo no intervalo entre a marca de limite superior e de limite inferior do tubo de óleo (Fig. 2).
- Abasteça com óleo até à marca de limite superior se o óleo for insuficiente (o nível de óleo está perto da marca de limite inferior) (Fig. 3).
- A área em torno das marcas externas é transparente, por isso, a quantidade de óleo no interior pode ser verificada sem ter de retirar a tampa de óleo. No entanto, se o tubo de óleo ficar extremamente sujo, a visibilidade pode ser perdida e o nível de óleo terá de ser verificado contra a secção por fases no interior do tubo de óleo.
- Para referência, o tempo de abastecimento de óleo é cerca de 10 h (10 vezes ou 10 depósitos de abastecimento de óleo).
Se o óleo mudar de cor ou misturar-se com sujidade, substitua por um óleo novo. (Para o intervalo e método de substituição, consulte P 187)

Óleo recomendado: Óleo 10W-30 SAE de classificação API, Classe SF ou superior (motor a 4 tempos para automóvel)

Volume de óleo: Aprox. 0,08L

Nota: Se o motor não for mantido na vertical, o óleo pode entrar em torno do motor e abastecer de forma excessiva.

Se o óleo estiver acima do limite, o óleo pode estar contaminado ou pode incendiar-se com fumo branco.

Ponto 1 sobre a Substituição do óleo: “Indicador do nível de óleo”

- Retire qualquer sujidade perto da entrada de abastecimento do óleo e desencaixe o indicador do nível de óleo.
- Mantenha o indicador do nível de óleo limpo. Caso contrário, qualquer sujidade que adira ao indicador do nível de óleo pode causar uma circulação de óleo irregular ou desgaste nas peças do motor, que irá resultar em problemas.

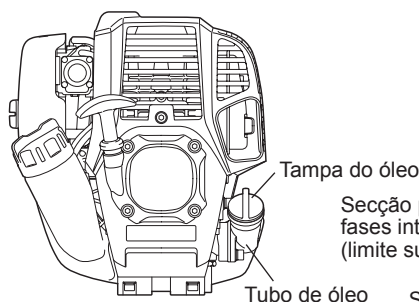


Fig. 1

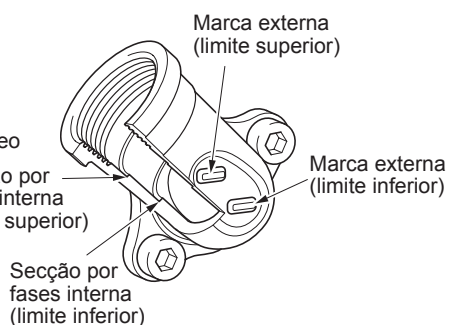
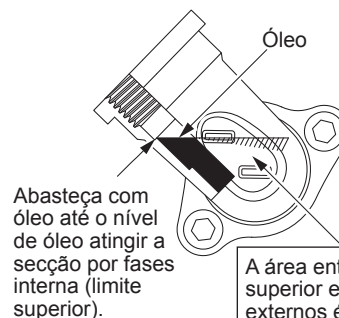


Fig. 2 Tubo de óleo

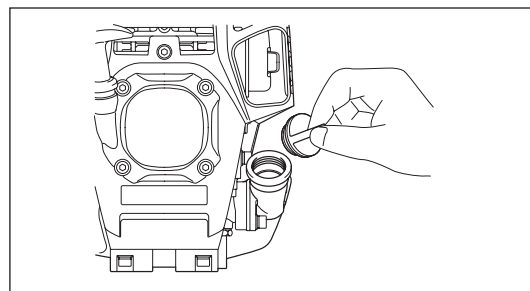


Abasteça com óleo até o nível de óleo atingir a secção por fases interna (limite superior).

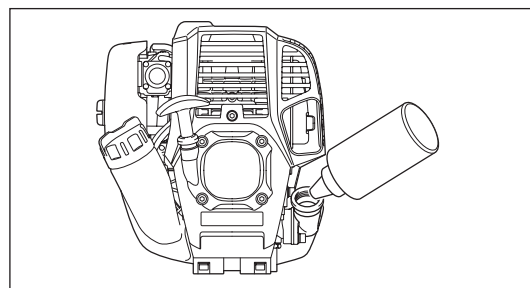
A área entre os limites superior e inferior externos é transparente, por isso, o nível de óleo pode ser verificado externamente contra estas marcas.

Fig. 3

- (1) Mantenha o motor nivelado e desencaixe a tampa do óleo.



- (2) Abasteça com óleo até à marca do limite superior. (consulte a Fig. 3)
Utilize a garrafa de óleo ao abastecer.



- (3) Aperte de forma segura a tampa do óleo. Um aperto insuficiente pode causar fugas de óleo.

Nota

- Não mude o óleo com o motor numa posição inclinada.
- Encher com óleo enquanto o motor está inclinado provoca um enchimento excessivo, o que causa contaminação do óleo e/ou fumo branco.

Ponto 2 sobre a Substituição do óleo: “Em caso de derrames de óleo”

- Em caso de derrames de óleo entre o depósito de combustível e a unidade principal do motor, o óleo é aspirado pela porta de entrada do ar de refrigeração, que irá contaminar o motor. Certifique-se de que limpa o óleo derramado antes de iniciar o funcionamento.

ABASTECIMENTO

Lidar com o combustível

É necessário muito cuidado ao lidar com o combustível. O combustível pode conter substâncias semelhantes a solventes. O abastecimento tem de ser executado numa sala bem ventilada ou no exterior. Não inale vapores do combustível e evite qualquer contacto de combustível ou óleo com a sua pele. O contacto prolongado da sua pele com o combustível fará com que a sua pele fique extremamente seca, o que pode resultar em doenças de pele ou alergia. Se entrar combustível nos seus olhos, lave-os imediatamente com água limpa. Se os seus olhos ainda estiverem irritados, consulte imediatamente um médico.

Período de abastecimento de combustível

O combustível deve ser utilizado num período de 4 semanas, mesmo se for mantido num recipiente especial num local bem ventilado. Se não for utilizado um recipiente especial ou se o recipiente não estiver coberto, o combustível pode deteriorar no espaço de um dia.

ARMAZENAMENTO DA MÁQUINA E DEPÓSITO DE ABASTECIMENTO

- Mantenha a máquina e o depósito num local fresco sem luz solar directa.
- Nunca guarde o combustível na cabine ou mala.

Combustível

O motor é um motor a quatro tempos. Certifique-se de utilize gasolina (gasolina).

Observações sobre o combustível

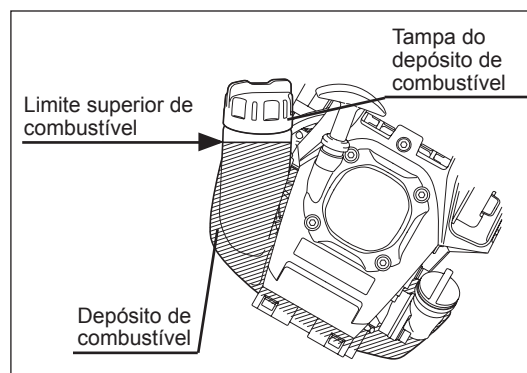
- Nunca utilize uma mistura de gasolina com óleo do motor. Caso contrário, causa uma acumulação excessiva de carbono ou problemas mecânicos.
- A utilização de óleo deteriorado irá causar um arranque irregular.

Abastecimento

AVISO: INFLAMÁVEIS ESTRITAMENTE PROIBIDOS

Gasolina usada: Gasolina (gasolina sem chumbo)

- Desaperte a tampa do depósito de modo a não haver diferenças na pressão atmosférica.
 - Desencaixe a tampa do depósito e abasteça, descarregar o ar inclinando o depósito de combustível de modo a que a entrada de abastecimento esteja na vertical. (Nunca abasteça combustível ao máximo na entrada de abastecimento de óleo.)
 - Limpe rigorosamente a área em torno da tampa do depósito para evitar que entre sujidade no depósito de combustível.
 - Após o abastecimento, aperte bem a tampa do depósito.
- Se a tampa do depósito tiver falhas ou danos, substitua-a.
 - A tampa do depósito é consumível e, por isso, deve ser substituída a cada dois ou três anos.



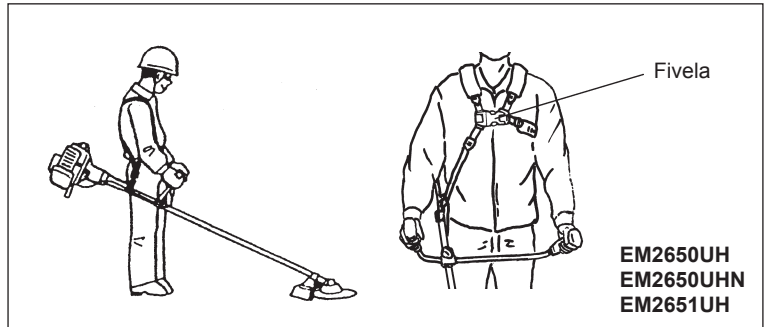
MANUSEAMENTO CORRECTO DA MÁQUINA

Fixação da alça do ombro

- Ajuste o comprimento da alça para que a lâmina de corte fique paralela ao chão.

Para EM2650UH, EM2650UHN, EM2651UH

NOTA: Tenha cuidado para não prender a roupa, etc., na fivela.

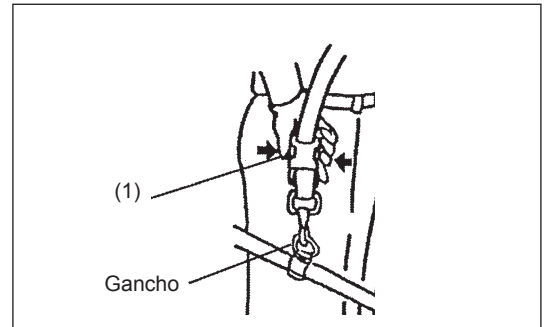


Separação

Para EM2650LH, EM2651LH

- Em caso de emergência, empurre os entalhes (1) em ambos os lados e pode separar a máquina de si. Certifique-se de que mantém o controlo da máquina nesta altura. Não permita que a máquina seja desviada em direcção a si ou a alguém próximo de si.

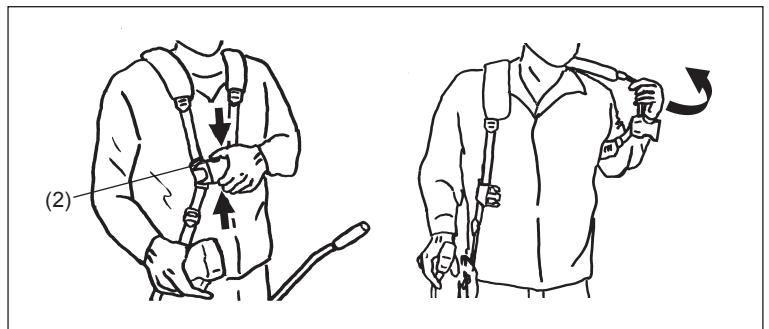
AVISO: Se não conseguir manter o controlo total do equipamento, poderá sofrer ferimentos corporais graves ou MORRER.



Para EM2650UH, EM2650UHN, EM2651UH

- Em caso de emergência, empurre os entalhes (2) em ambos os lados e pode separar a máquina de si. Certifique-se de que mantém o controlo da máquina nesta altura. Não permita que a máquina seja desviada em direcção a si ou a alguém próximo de si.

AVISO: Se não conseguir manter o controlo total do equipamento, poderá sofrer ferimentos corporais graves ou MORRER.

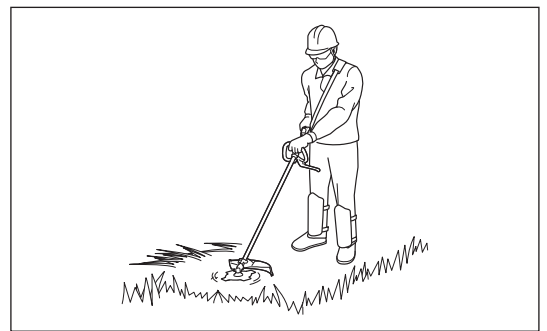


AVISO:

Mantenha sempre a ferramenta no seu lado direito. O posicionamento correto da ferramenta permite o controlo máximo e irá reduzir o risco de ferimentos pessoais graves causados por recuos.

AVISO:

Certifique-se de que mantém sempre o controlo da ferramenta. Não permita que a ferramenta seja desviada na sua direcção ou na direcção de alguém próximo de si. Caso contrário, pode resultar em ferimentos graves no operador e terceiros.



Funcionamento da cabeça de corte em nylon

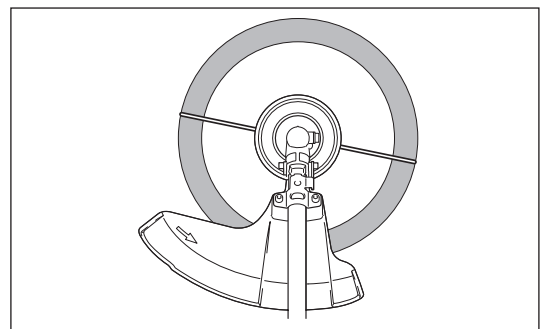
A cabeça de corte em nylon é uma cabeça dupla de máquina de cortar relva com mecanismo de ressalto e avanço.

Para avançar o fio de nylon, bata com a cabeça de corte no chão enquanto roda.

A área de corte mais eficiente é mostrada pela área sombreada.

NOTA:

Se o fio de nylon não avançar enquanto bate com a cabeça, rebobine/substitua o fio de nylon seguindo os procedimentos descritos em "INSTRUÇÕES DE SERVIÇO".



PONTOS SOBRE O FUNCIONAMENTO E COMO PARAR

Leia os regulamentos sobre prevenção de acidentes aplicáveis!

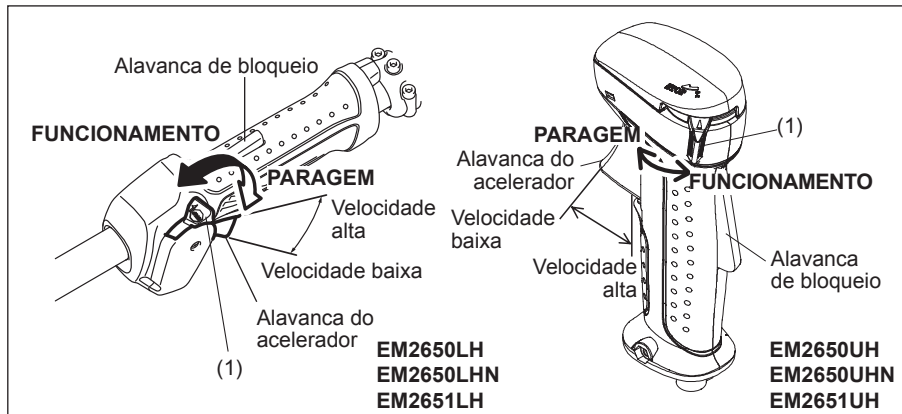


INÍCIO

Desloque no mínimo 3 m longe do local de abastecimento. Coloque a roçadeira a gasolina num pedaço limpo do chão certificando-se de que a ferramenta de corte não entra em contacto com o chão ou com quaisquer outros objectos.

A: Arranque a frio

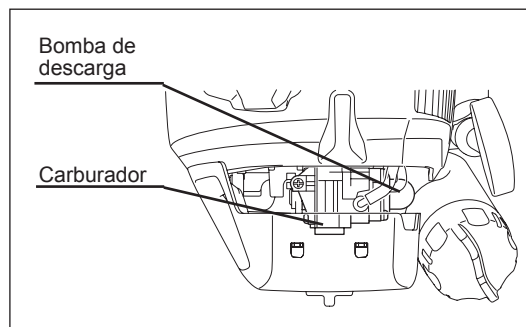
- 1) Monte esta máquina num espaço plano.
- 2) Regule o interruptor I-O (1) para FUNCIONAMENTO.



- 3) Bomba de descarga

Continue a empurrar a bomba de descarga até o combustível entrar na bomba de descarga. (Normalmente, o combustível entra na bomba de descarga após 7 a 10 empurrões.)

Se a bomba de descarga for empurrada em demasia, um excesso de gasolina regressa ao depósito de combustível.



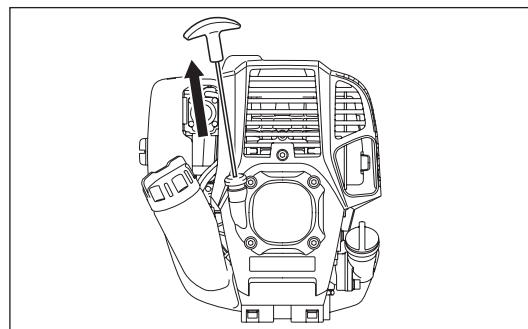
- 4) Fio de arranque

Puxe o manípulo de arranque suavemente até ficar difícil de puxar (ponto de compressão). De seguida, alivie o manípulo de arranque e puxe com força.

Nunca puxe a corda ao máximo. Assim que o manípulo de arranque for puxado, nunca solte a mão imediatamente. Segure o manípulo de arranque até este voltar ao ponto de origem.

- 5) Operação de aquecimento

Continue a operação de aquecimento durante 2 a 3 minutos.



Nota: Em caso de entrada excessiva de combustível, remova a vela de ignição e puxe a pega de arranque lentamente para remover o combustível em excesso. Também deverá limpar a secção dos eléctrodos da vela de ignição.

Precauções durante o funcionamento:

Se a alavanca do acelerador estiver totalmente aberta em funcionamento em vácuo, a rotação do motor aumenta para 10.000 min⁻¹ ou mais. Nunca opere o motor a uma velocidade mais alta do que a necessária e a uma velocidade aproximada de 6.000 - 8.500 min⁻¹.

B: Arranque após operação de aquecimento

- 1) Empurre a bomba de descarga repetidamente.
- 2) Mantenha a alavanca do acelerador na posição de marcha lenta.
- 3) Puxe o fio de arranque com força.
- 4) Se for difícil arrancar o motor, abra o regulador de velocidade cerca de 1/3. Preste atenção à lâmina de corte que pode rodar.

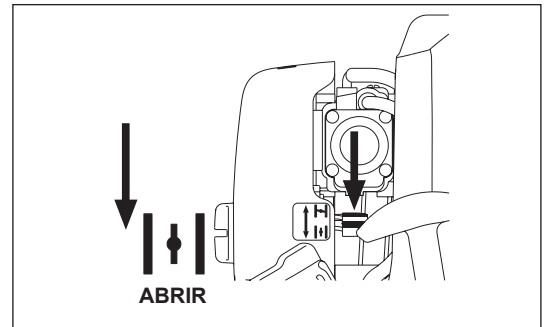
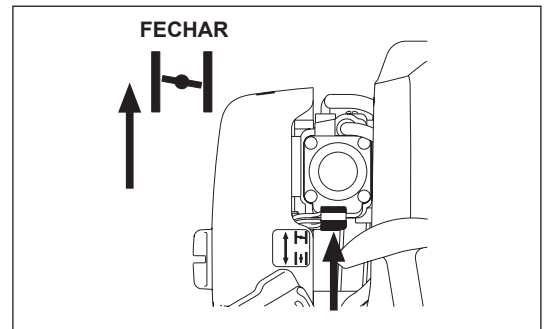
Por vezes, como no Inverno, é difícil de ligar o motor

Utilize a alavanca do afogador com o procedimento seguinte ao ligar o motor.

- Após implementar os passos de arranque de 1) a 3), coloque a alavanca do afogador para a posição FECHAR.
- Implemente o passo de arranque 4) e ligue o motor.
- Assim que ligar o motor, coloque a alavanca do afogador na posição ABRIR.
- Implemente o passo de arranque 5) e conclua o aquecimento.

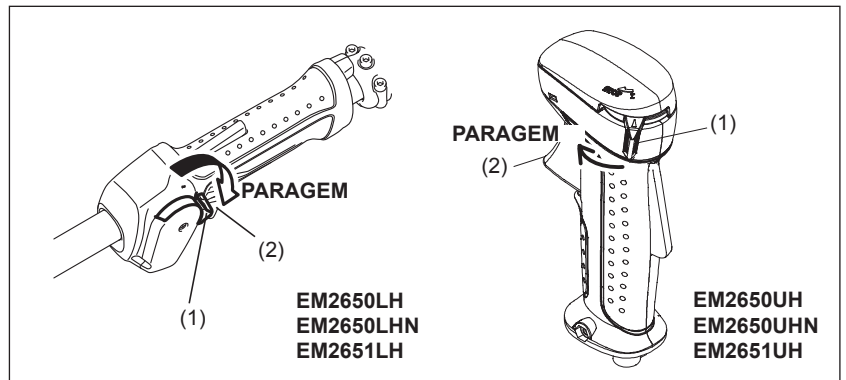
PRECAUÇÃO: Se ouvir um estouro (som explosivo) e o motor parar ou se o motor recém-ligado parar antes de operar a alavanca do afogador, coloque a alavanca do afogador na posição ABRIR e puxe novamente o manípulo do dispositivo de arranque algumas vezes para ligar o motor.

PRECAUÇÃO: Se a alavanca do afogador for deixada na posição FECHAR e o manípulo do dispositivo de arranque não for puxado repetidamente, será aspirado demasiado combustível e será difícil ligar o motor.



PARAR

- 1) Solte totalmente a alavanca do acelerador (2) e quando as rpm do motor tiverem baixado, regule o botão I-O para PARAGEM, o motor irá parar.
- 2) Note que a cabeça de corte poderá não parar imediatamente e deixe sempre que ela abrande e pare completamente por si própria.



AJUSTE DE ROTAÇÃO DE BAIXA VELOCIDADE (MARCHA LENTA)

Quando é necessário ajustar a rotação de baixa velocidade (marcha lenta), efectue através do parafuso de regulação do carburador.

VERIFICAÇÃO DA ROTAÇÃO DE BAIXA VELOCIDADE

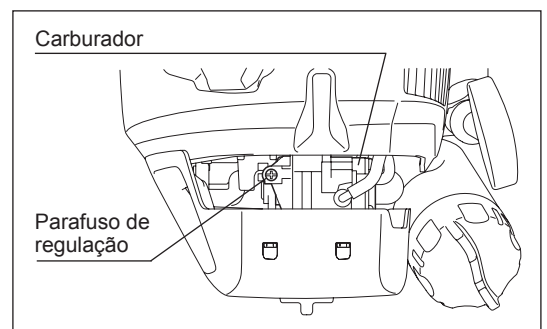
PRECAUÇÃO:

O acessório de corte pode estar em rotação durante os ajustes do carburador. Use o equipamento de proteção e cumpra todas as instruções de segurança. Certifique-se de que o acessório de corte para de rodar quando o motor está ao ralenti.

PRECAUÇÃO

Quando a unidade é desligada, certifique-se de que o acessório de corte parou antes de pousar a unidade.

- Regule a rotação de baixa velocidade para 3.000 min⁻¹. Se for necessário alterar a velocidade de rotação, regule o parafuso de regulação (ilustrado à direita), com uma chave de fendas Phillips.
- Rode o parafuso de regulação para a direita e a rotação do motor irá aumentar. Rode o parafuso de regulação para a esquerda e a rotação do motor irá diminuir.
- O carburador é normalmente regulado antes do envio. Se for necessário reajustar, contacte o Agente de Serviço Autorizado.



INSTRUÇÕES DE SERVIÇO

PRECAUÇÃO: Antes de efectuar qualquer trabalho na roçadeira a gasolina, pare sempre o motor e retire a tampa da vela de ignição (ver “verificar a vela de ignição”).
Use sempre luvas de protecção!

Para garantir um longo tempo de funcionamento e para evitar quaisquer danos no equipamento, as seguintes operações de serviço devem ser executadas em intervalos regulares.

Inspeção e manutenção diárias

- Antes do funcionamento, verifique se existem parafusos soltos na máquina ou se faltam peças. Preste especial atenção ao aperto da lâmina de cortar ou da cabeça de corte em nylon.
- Antes do funcionamento, verifique sempre a passagem de ar de refrigeração e as alhetas do cilindro por obstruções. Limpe-as se necessário.
- Efectue o seguinte trabalho diariamente após a utilização:
 - Limpe a roçadeira a gasolina externamente e inspeccione por danos.
 - Limpe o filtro de ar. Ao trabalhar em condições de muito pó, limpe o filtro várias vezes por dia.
 - Verifique se a lâmina ou a cabeça de corte em nylon estão danificadas e certifique-se de que estão devidamente montadas.
 - Verifique se existe diferença suficiente entre as velocidades de marcha lenta e de embraiagem para se certificar de que a ferramenta de corte está num ponto de imobilização enquanto o motor está em marcha lenta (se necessário, reduza a velocidade de marcha lenta). Se em condições de marcha lenta a ferramenta ainda continuar a funcionar, consulte o Agente de Serviço Autorizado mais próximo.
- Verifique o funcionamento do interruptor I-O, a alavanca de bloqueio, a alavanca de controlo e o botão de bloqueio.

Afiar a lâmina metálica

PRECAUÇÃO:

As lâminas metálicas devem ser afiadas apenas por técnicos autorizados. A afiação manual pode resultar em desequilíbrios na ferramenta de corte causando vibrações e danos no equipamento.

NOTA: Para aumentar a vida útil da lâmina de corte, pode ser virada uma vez, até ambas as extremidades de corte ficarem gastas.

SUBSTITUIÇÃO DO ÓLEO DO MOTOR

Um óleo do motor deteriorado irá encurtar muito a vida útil das peças deslizantes e rotativas. Certifique-se de que verifica o período e quantidade de substituição.



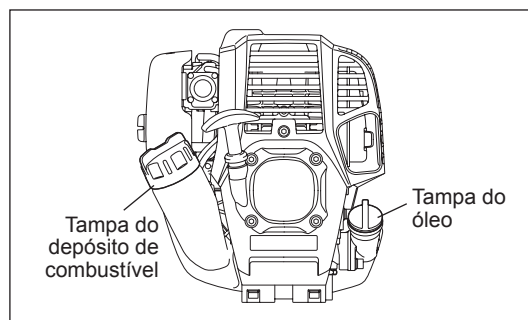
ATENÇÃO: Normalmente, a unidade principal do motor e o óleo do motor ainda permanecem quentes logo após a paragem do motor. Aquando da substituição do óleo, confirme que a unidade principal do motor e o óleo do motor estão suficientemente arrefecidos. Caso contrário, pode existir um risco de queimadura.

Nota: Se o óleo estiver acima do limite, pode estar contaminado ou pode incendiar-se com fumo branco.

Intervalo de substituição: Inicialmente, a cada 20 horas de funcionamento e posteriormente a cada 50 horas de funcionamento
Óleo recomendado: Óleo 10W-30 SAE de classificação API, Classe SF ou superior (motor a 4 tempos para automóvel)

Aquando da substituição, execute o procedimento seguinte.

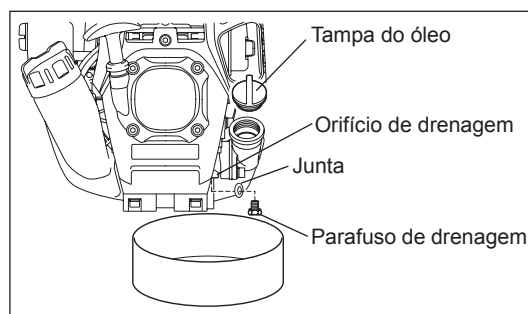
- 1) Confirme que a tampa do depósito de combustível está bem apertada.
- 2) Coloque um recipiente grande (panela etc.) debaixo do orifício de drenagem.



- 3) Retire o parafuso de drenagem e, de seguida, retire a tampa do óleo para drenar o óleo pelo orifício de drenagem. A esta altura, certifique-se de que não perde a junta do parafuso de drenagem nem suja qualquer um dos componentes retirados.

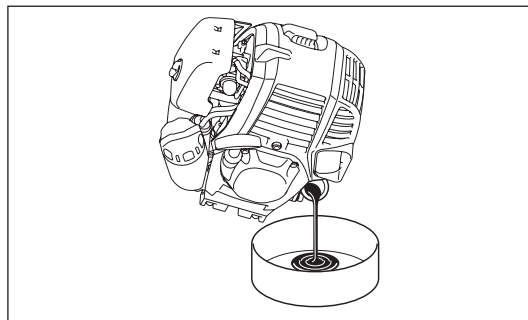
- 4) Assim que drenar o óleo todo, una a junta e o parafuso de drenagem e aperte bem o parafuso de drenagem para que não desaperte e cause fugas.

* Use um pano para limpar os resíduos de óleo no parafuso e no equipamento.

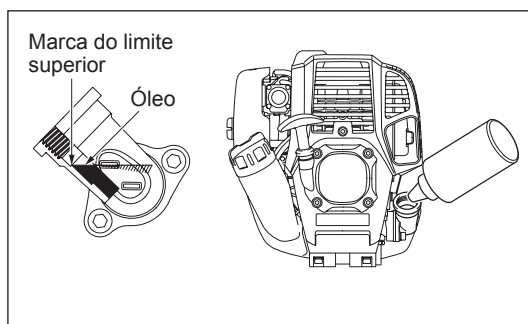
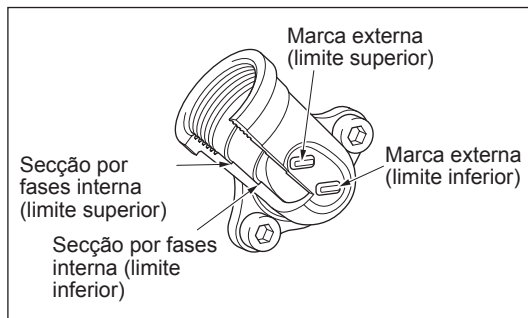


Método de drenagem alternativo

Retire a tampa de óleo, incline a roçadeira a gasolina para o orifício de enchimento de óleo e drene o óleo.
Recolha o óleo num recipiente.



- 5) Defina o nível do motor e abasteça gradualmente até à marca do limite superior com óleo novo.
- 6) Após abastecer, aperte bem a tampa do óleo, para que não desaperte e cause fugas.
Se a tampa do óleo não estiver bem apertada, pode ter fugas.



PONTOS SOBRE O ÓLEO

- Nunca elimine o óleo do motor substituído no lixo, terra ou sarjeta. A eliminação do óleo está regulada por lei. Aquando da eliminação, siga sempre as respectivas leis e regulações. Para quaisquer pontos que permaneçam desconhecidos, contacte o Agente de Serviço Autorizado.
- O óleo irá deteriorar mesmo quando não é utilizado. Execute a inspeção e a substituição a intervalos regulares (substitua por óleo novo a cada 6 meses).

LIMPEZA DO FILTRO DE AR



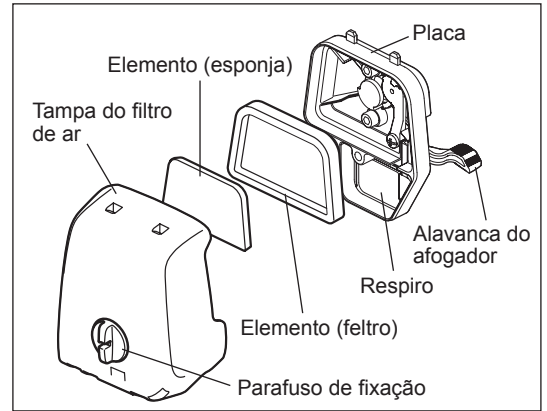
PERIGO: INFLAMÁVEIS ESTRITAMENTE PROIBIDOS

Intervalo de limpeza e inspeção: Diariamente (a cada 10 horas de funcionamento)

- Rode a alavanca do afogador para o lado totalmente fechado e mantenha o carburador longe de qualquer pó ou sujidade.
- Desaperte o parafuso de fixação.
- Retire a tampa do filtro de ar ao puxar pelo seu lado inferior.
- Retire os elementos e bata neles para remover a sujidade.
- Se os elementos estiverem muito contaminados: Remova os elementos, mergulhe-os em água quente ou em detergente neutro diluído em água e seque-os por completo. Não os esprema nem os esfregue ao lavar.
- Antes de instalar os elementos, certifique-se de que os seque por completo. Uma secagem insuficiente dos elementos pode resultar em arranques difíceis.
- Limpe o óleo em torno da tampa do filtro de ar e do respiro com desperdícios.
- Instale o elemento (esponja) no elemento (feltro).
Instale os elementos na placa de modo a que a esponja esteja virada para a tampa do filtro.
- Instale imediatamente a tampa do filtro e aperte-a com parafusos de fixação. (Aquando da montagem, primeiro coloque a garra superior e, de seguida, a garra inferior.)

AVISO:

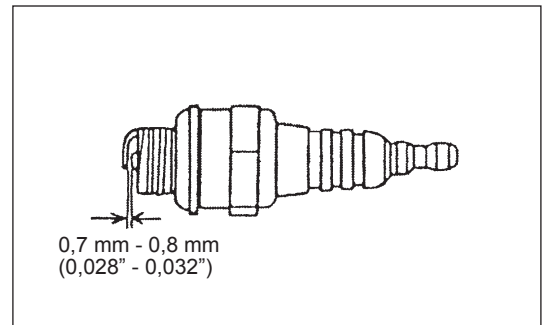
- Limpe os elementos várias vezes ao dia, se houver demasiado pó agarrado. Os elementos sujos reduzem a potência do motor e tornam os arranques difíceis.
- Retire o óleo dos elementos. Se a operação continuar com os elementos ainda com óleo, o óleo no filtro de ar pode cair fora, resultando na contaminação do ambiente.
- Não coloque os elementos no solo ou num local sujo. Caso contrário, apanham sujidade ou resíduos e podem danificar o motor.
- Nunca utilize combustível para limpar os elementos. O combustível pode danificá-los.



VERIFICAR A VELA DE IGNIÇÃO

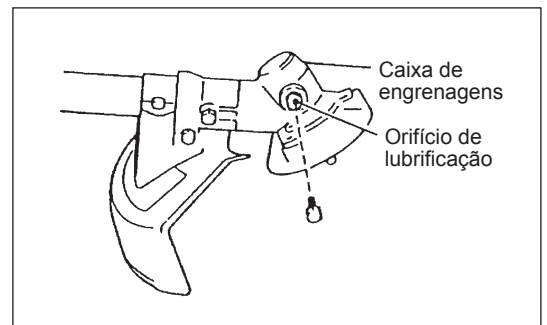
- Utilize apenas a chave universal fornecida para remover ou instalar a vela de ignição.
- O espaço entre os dois eléctrodos da vela de ignição deverá estar a 0,7 - 0,8 mm (0,028" - 0,032"). Se o espaço for demasiado largo ou estreito, ajuste-o. Se a vela de ignição estiver entupida ou contaminada, limpe-a rigorosamente ou substitua-a.

PRECAUÇÃO: Nunca toque no conector da vela de ignição enquanto o motor estiver a trabalhar (perigo de choque eléctrico de alta tensão).



FORNECIMENTO DE LUBRIFICAÇÃO PARA A CAIXA DE ENGRENAGENS

- Forneça lubrificação (Shell Alvania 2 ou equivalente) para a caixa de engrenagens através do orifício de lubrificação a cada 30 horas. (Lubrificação MAKITA pode ser adquirida no seu revendedor MAKITA.)



LIMPEZA DO FILTRO DE COMBUSTÍVEL

AVISO: INFLAMÁVEIS ESTRITAMENTE PROIBIDOS

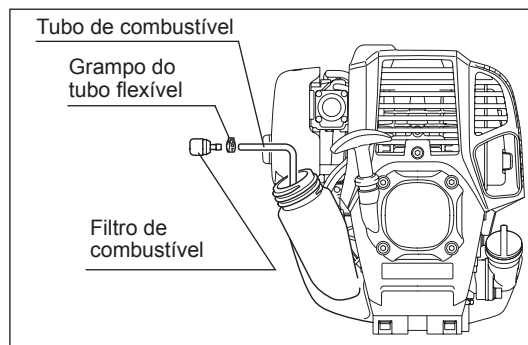
Intervalo de limpeza e inspeção: Mensalmente (a cada 50 horas de funcionamento)

Cabeça de sucção no depósito de combustível

Verifique periodicamente o filtro de combustível. Para verificar o filtro de combustível, siga os passos abaixo.

- (1) Retire a tampa do depósito de combustível, purgue o combustível para esvaziar o depósito. Verifique o interior do depósito por quaisquer materiais estranhos. Caso existam, remova-os.
- (2) Retire a cabeça de sucção ao utilizar um gancho de arame através da abertura do depósito.
- (3) Se o filtro de combustível estiver ligeiramente entupido, limpe-o. Para limpá-lo, abane-o ligeiramente e mergulhe-o em combustível. Para evitar danos, não o esprema nem o esfregue. O combustível utilizado para a limpeza tem de ser eliminado de acordo com o método especificado pelas regulamentações no seu país.
Se o filtro de combustível ficar rígido ou altamente entupido, substitua-o.
- (4) Após verificar, limpar ou substituir, introduza o filtro de combustível ao máximo até ao fundo do depósito de combustível.

Um filtro de combustível entupido ou danificado pode causar um fornecimento insuficiente de combustível e reduzir a potência do motor. Substitua o filtro de combustível, no mínimo, a cada três meses para garantir um fornecimento adequado de combustível para o carburador.



SUBSTITUIÇÃO DO TUBO DE COMBUSTÍVEL

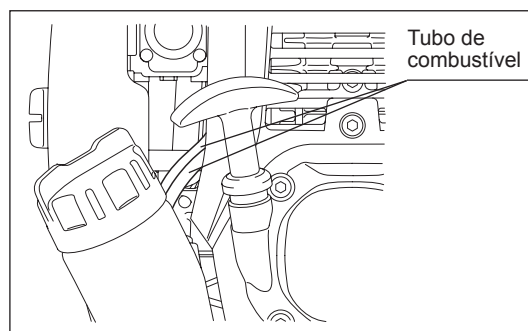
PRECAUÇÃO: INFLAMÁVEIS ESTRITAMENTE PROIBIDOS

Intervalo de limpeza e inspeção: Diariamente (a cada 10 horas de funcionamento)

Substituição: Anualmente (a cada 200 horas de funcionamento)

Substitua o tubo de combustível todos os anos, independentemente da frequência de funcionamento. As fugas de combustível podem provocar um incêndio.

Se detectar alguma fuga durante a inspeção, substitua o tubo de combustível imediatamente.



INSPEÇÃO DE PARAFUSOS E PORCAS

- Reaperte parafusos e porcas desapertados, etc.
- Inspeccione por fugas de combustível e óleo.
- Substitua as peças danificadas por peças novas para um funcionamento seguro.

LIMPEZA DAS PEÇAS

- Mantenha sempre o motor limpo.
- Mantenha as alhetas do cilindro limpas. O pó ou sujidade que adira às alhetas irá causar falha do êmbolo.

SUBSTITUIÇÃO DAS JUNTAS E EMPANQUES

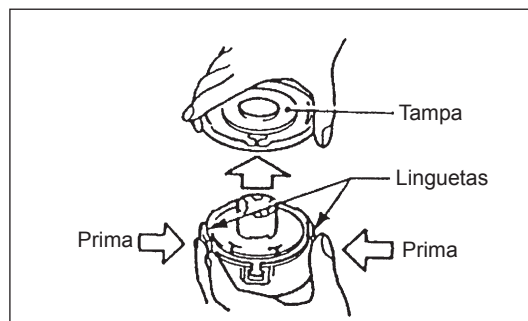
Aquando da montagem após o motor estar desmontado, certifique-se de que substitui as juntas e os empanques por uns novos. Qualquer manutenção de ajuste que não esteja incluído e descrito neste manual deve ser efectuada apenas pelos Agentes de Serviço Autorizados.

Substituir o fio de nylon

(Para ultra automático 4)

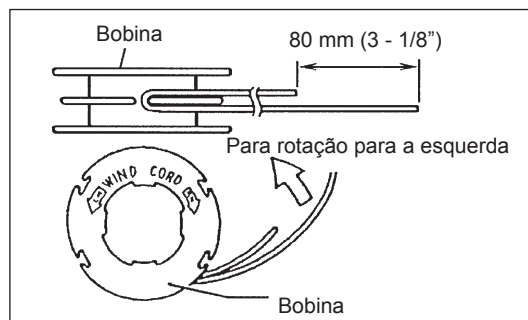
Primeiro, desligue o motor.

Prima as linguetas da armação para dentro para retirar a tampa, de seguida retire a bobina.

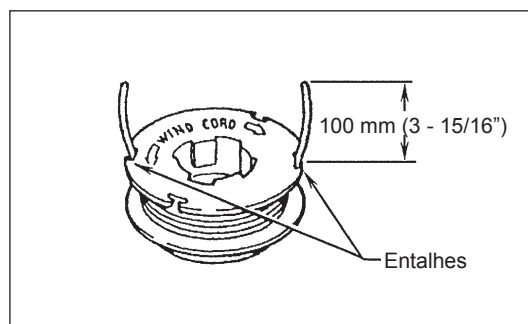


Engate o centro do novo fio de nylon no entalhe no centro da bobina, com uma extremidade do fio de cerca de 80 mm (3 - 1/8") maior que a outra.

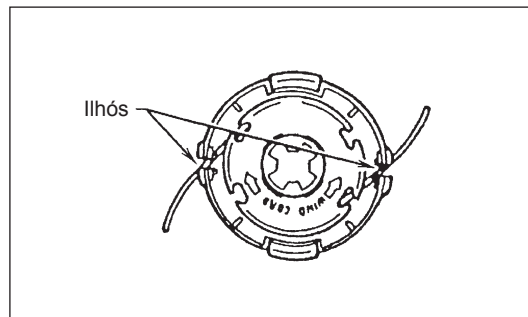
De seguida, enrole ambas as extremidades em torno da bobina na direcção da rotação da cabeça (direcção para a esquerda indicada por LH e direcção para a direita indicada por RH na parte lateral da bobina).



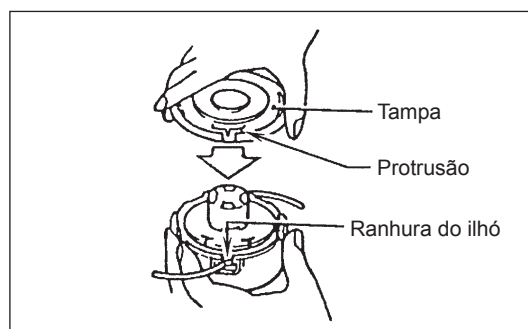
Enrole tudo excepto cerca de 100 mm (3 - 15/16") dos fios, deixando as extremidades temporariamente presa através do entalhe no lado da bobina.



Monte a bobina na armação para que as ranhuras e as protusões na bobina correspondam com as da armação. Mantenha o lado com letras na bobina visível na parte superior. Agora, desengate as extremidades do fio da posição temporária e forneça os fios pelos ilhós para saírem pela armação.



Alinhe a protusão na parte inferior da tampa com as ranhuras dos ilhós. De seguida, empurre firmemente na armação para a fixar.

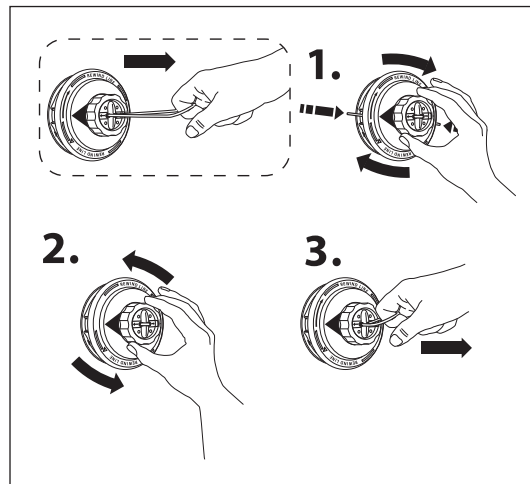


(Para Proulx)

Primeiro, desligue o motor.

Segure bem a armação e rode a bobina no sentido dos ponteiros do relógio até o fio de nylon restante recolher para a armação e vire para trás e para a frente para aliviar a tensão do fio.

Agarre o aro na parte superior da bobina e retire-o da bobina.



Prepare um fio de nylon com as especificações seguintes.

4,5 m de comprimento

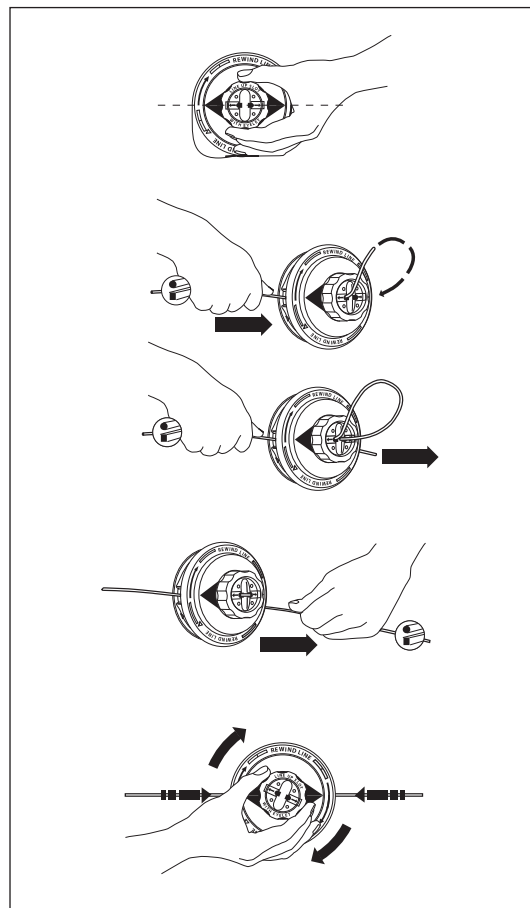
Fio redondo com 2,4 mm de diâmetro ou fio quadrado com 2,0 mm de diagonal.

Alinhe a seta na bobina com os ilhós na armação.

Introduza uma extremidade do fio de nylon no ilhó na parte lateral da armação, passe pelo orifício na parte superior da bobina e, depois, reintroduza no segundo orifício na parte superior da bobina. Empurre o fio de nylon pelos orifícios até o fio passar pelos ilhós na parte lateral da armação.

Empurre o fio de nylon pelos orifícios através dos ilhós na parte lateral da armação até obter um comprimento igual em ambos os lados.

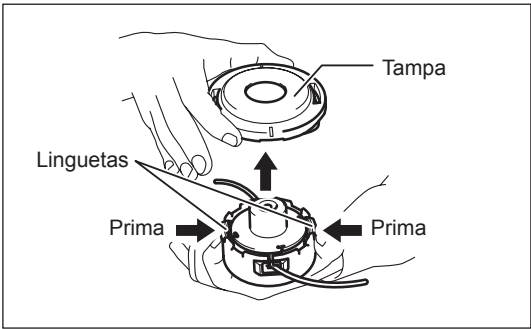
Segure bem a armação e rode a bobina no sentido dos ponteiros do relógios para enrolar o fio de nylon na bobina.



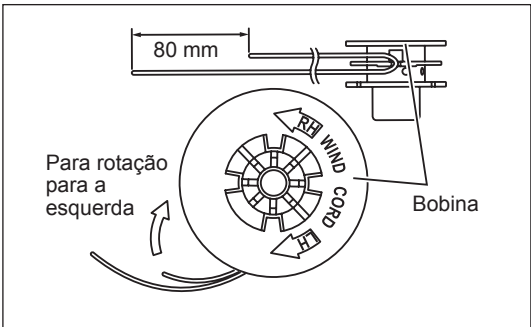
(Para B&F4/Z5)

AVISO: Certifique-se de que a tampa da cabeça de corte em nylon está fixa à armação adequadamente, como descrito abaixo. A má fixação da tampa pode fazer com que a cabeça de corte em nylon seja projectada resultando em ferimentos pessoais graves.

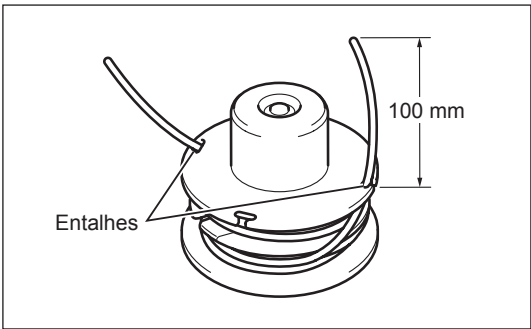
Pressione as linguetas da armação e levante para retirar a tampa. Elimine qualquer fio de nylon restante.



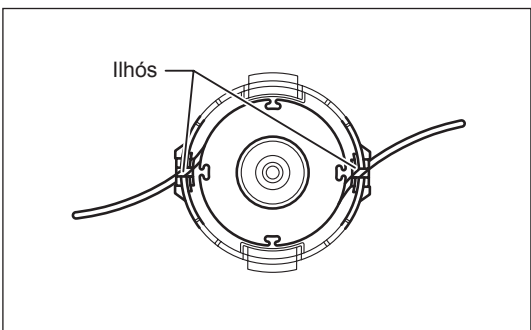
Engate o meio do novo fio de nylon no entalhe situado no centro da bobina entre os 2 canais fornecidos para o fio de nylon. Um lado do fio deve ser cerca de 80 mm maior do que o outro lado. Enrole ambas as extremidades na bobina no sentido marcado na cabeça para direcção para a esquerda, indicada por LH.



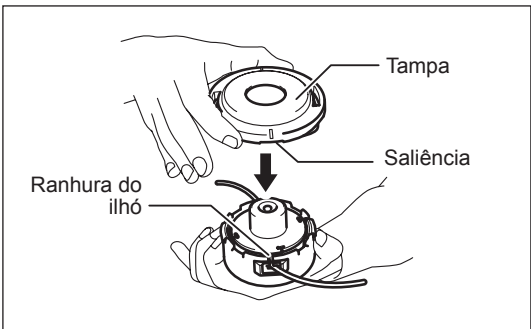
Enrole tudo excepto cerca de 100 mm dos fios, deixando as extremidades temporariamente presa através do entalhe no lado da bobina.



Monte a bobina na armação para que as ranhuras e as saliências na bobina correspondam com as da armação. Mantenha o lado com letras na bobina visível na parte superior. Agora, desengate as extremidades do fio da posição temporária e forneça os fios pelos ilhós para saírem pela armação.



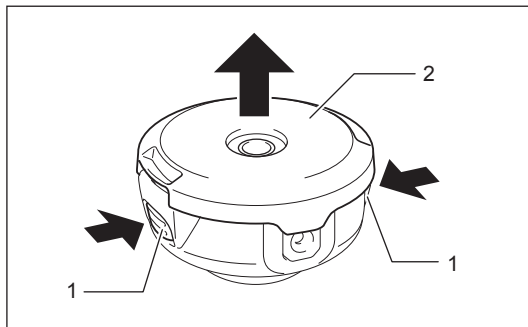
Alinhe a saliência no lado inferior da tampa com as ranhuras dos ilhós. De seguida, empurre firmemente na armação para a fixar. Certifique-se de que os entalhes estão totalmente espalhados na tampa.



(Para tipo Ressalto e Avanço)

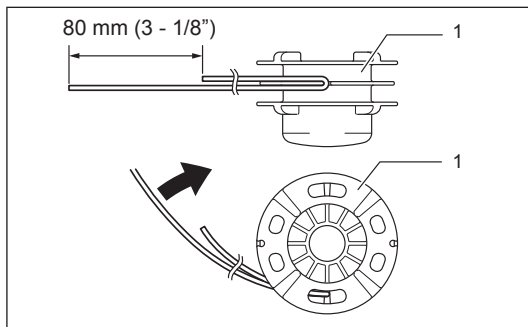
Primeiro, desligue o motor.

Prima as linguetas da armação (1) para dentro para retirar a tampa (2), de seguida retire a bobina.

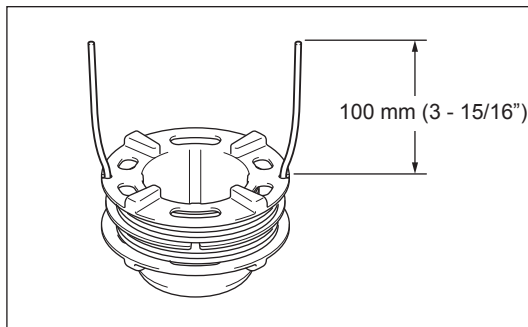


Engate o centro do fio de nylon no entalhe no centro da bobina (1), com uma extremidade do fio com cerca de 80 mm (3 - 1/8") mais do que a outra.

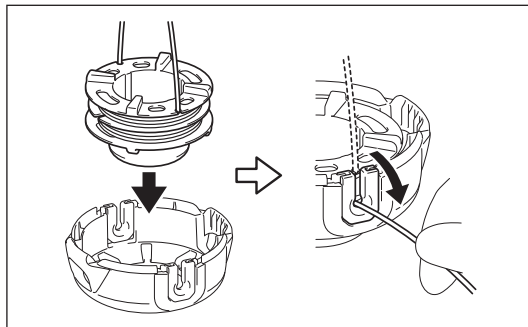
De seguida, enrole ambas as extremidades em torno da bobina na direção da rotação da cabeça (direção para a esquerda indicada por LH na parte lateral da bobina).



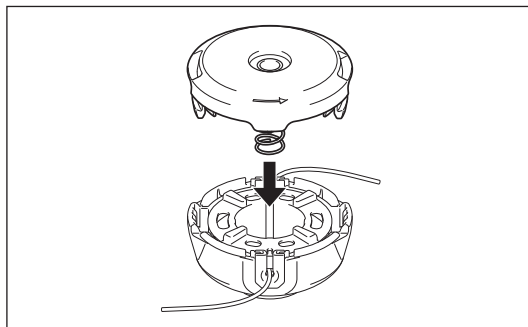
Enrole tudo exceto cerca de 100 mm (3 - 15/16\") dos fios, deixando as extremidades temporariamente presa através do entalhe no lado da bobina.



Monte a bobina no armação para que as ranhuras e saliências na bobina correspondam às da armação. Mantenha o lado com letras na bobina visível na parte superior. Agora, desengate as extremidades do fio da posição temporária e avance os fios pelos ilhós para saírem pela armação.



Alinhe a saliência no lado inferior da tampa com as ranhuras dos ilhós. De seguida, pressione bem a tampa na armação para a fixar.



ARMAZENAMENTO

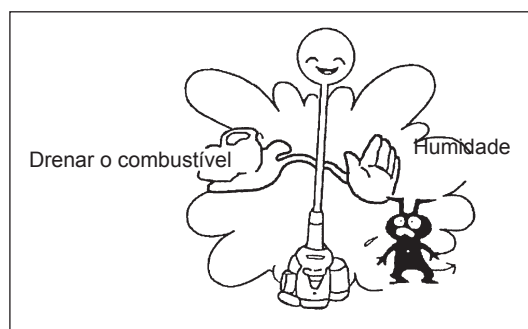


AVISO: Quando purgar o combustível, certifique-se de que pára o motor e deixa o motor arrefecer.
Logo após a paragem do motor, este pode ainda estar quente correndo o risco de queimaduras, inflamabilidade e incêndio.



ATENÇÃO: Quando a máquina não é utilizada durante um longo período, purgue todo o combustível do depósito de combustível e carburador e guarde-a num local seco e limpo.

- Purgue o combustível do depósito de combustível e carburador de acordo com o procedimento seguinte:
 - 1) Retire a tampa do depósito de combustível e purgue o combustível por completo.
Se restar algumas substâncias estranhas no depósito de combustível, retire-as por completo.
 - 2) Retire o filtro de combustível da entrada de abastecimento utilizando um fio.
 - 3) Empurre a bomba de descarga até purgar combustível e purgue o combustível que entra no depósito de combustível.
 - 4) Coloque novamente o filtro no depósito de combustível e aperte bem a tampa do depósito de combustível.
 - 5) De seguida, continue a operar o motor até parar.
- Retire a vela de ignição e goteje várias gotas de óleo do motor pelo orifício da vela de ignição.
- Puxe suavemente a pega de arranque para que o óleo do motor se espalhe pelo motor e encaixe a vela de ignição.
- Encaixe a tampa na lâmina de corte.
- No geral, armazene a máquina numa posição horizontal ou, se não for possível, coloque a máquina de modo a que motor fique abaixo da ferramenta de corte. Caso contrário, pode ocorrer uma fuga de óleo do motor. Preste atenção à forma como armazena a máquina para evitar que esta caia. Caso contrário, pode resultar em ferimentos pessoais.
- Guarde o combustível purgado num recipiente especial num local bem ventilado.



Atenção após armazenamento de longa duração

- Antes do arranque após paragem de longa duração, certifique-se de que substitui o óleo (consulte P 187). O óleo irá deteriorar enquanto a máquina não é utilizada.

Identificação de falhas

Avaria	Sistema	Observação	Causa
O motor não arranca ou arranca com dificuldade	Sistema de ignição	Ignição por vela O.K.	Avaria no fornecimento de combustível ou sistema de compressão, defeito mecânico
		Sem ignição por vela	Funcionamento através do botão PARAGEM, avaria na cablagem ou curto-circuito, vela de ignição ou conector defeituoso, módulo de ignição avariado
	Fornecimento de combustível	Depósito de combustível enchido	Posição do afogador incorrecta, carburador defeituoso, linha de fornecimento do combustível dobrada ou bloqueada, combustível sujo
	Compressão	Sem compressão quando parada	Junta inferior do cilindro defeituosa, vedantes da cambota danificados, anéis do pistão ou do cilindro defeituosos ou vedação imprópria da vela de ignição
Problemas no arranque a quente	Avaria mecânica	Dispositivo de arranque não engrenado	Mola do dispositivo de arranque partida, peças partidas dentro do motor
		Depósito cheio vela de ignição existente	Carburador contaminado, limpe-o
O motor arranca mas morre	Fornecimento de combustível	Depósito cheio	Ajuste da marcha lenta incorrecto, carburador contaminado
Desempenho insuficiente	Vários sistemas podem estar afectados em simultâneo	Marcha lenta do motor fraca	Ventilação do depósito de combustível defeituosa, linha de fornecimento de combustível interrompida, cabo ou botão PARAGEM avariado
			Filtro de ar contaminado, carburador contaminado, silenciador entupido, conduta de escape no cilindro entupida

Item	Tempo de funcionamento								
		Antes do funcionamento	Após lubrificação	Diária (10h)	30h	50h	200h	Paragem/repouso	P correspondente
Óleo do motor	Inspeccione	○							182
	Substitua					○*1			187
Peças de aperto (parafuso, porca)	Inspeccione	○							190
Depósito de combustível	Limpe/inspeccione	○							—
	Drenar o combustível						○*3		195
Alavanca do acelerador	Verifique função		○						—
Interruptor de paragem	Verifique função		○						186
Lâmina de corte	Inspeccione	○		○					179
Rotação a baixa velocidade	Inspeccione/ajuste			○					186
Filtro de ar	Limpe			○					189
Vela de ignição	Inspeccione			○					189
Conduta de ar de arrefecimento	Limpe/inspeccione			○					190
Tubo de combustível	Inspeccione			○					190
	Substitua						◎*2		—
Lubrificação caixa de engrenagens	Abastecimento				○				189
Filtro de combustível	Limpe/substitua					○			190
A folga entre a válvula de entrada de ar e a válvula de descarga de ar	Ajuste						◎*2		—
Revisão do motor							◎*2		—
Carburador	Drenar o combustível							○*3	195

*1 Execute substituição inicial após a vigésima operação.

*2 Para a inspeção de 200 horas de funcionamento, contacte o Agente de Serviço Autorizado ou loja da máquina.

*3 Após esvaziar o depósito de combustível, deixe o motor em funcionamento e purgue o combustível no carburador.

RESOLUÇÃO DE PROBLEMAS

Antes de efectuar um pedido para reparações, verifique você mesmo o problema. Se encontrar uma anomalia, controle a máquina de acordo com a descrição neste manual. Nunca altere nem desmonte qualquer peça contrária à descrição. Para reparações, contacte o Agente de Serviço Autorizado ou concessionário local.

Estado de anomalia	Causa provável (avaria)	Solução
O motor não arranca	Falha ao operar a bomba de descarga	Empurre 7 a 10 vezes
	Velocidade de puxo baixa da corda de arranque	Puxe com força
	Falta de combustível	Forneça combustível
	Filtro de combustível obstruído	Limpe
	Tubo de combustível dobrado	Endireite o tubo de combustível
	Combustível deteriorado	O combustível deteriorado torna o arranque mais difícil. Substitua por combustível novo. (Substituição recomendada: 1 mês)
	Aspiração excessiva de combustível	Regule a alavanca do acelerador de velocidade média para velocidade elevada e puxe a pega de arranque até o motor arrancar. Assim que o motor arrancar, a lâmina de corte começa a rodar. Preste muita atenção à lâmina de corte. Se mesmo assim o motor não pegar, retire a vela de ignição, seque o eléctrodo e monte-os da forma original. De seguida, ligue como especificado.
	Tampa da vela desencaixada	Encaixe bem
	Vela de ignição contaminada	Limpe
	Folga anómala da vela de ignição	Ajuste a folga
	Outra anomalia da vela de ignição	Substitua
	Carburador anómalo	Peça uma inspecção e manutenção.
	A corda de arranque não pode ser puxada	Peça uma inspecção e manutenção.
	Sistema de accionamento anómalo	Peça uma inspecção e manutenção.
O motor pára rapidamente A velocidade do motor não aumenta	Aquecimento insuficiente	Execute a operação de aquecimento
	A alavanca do afogador está regulada para "FECHAR" apesar do motor estar quente.	Regule para "ABRIR"
	Filtro de combustível obstruído	Limpe ou substitua
	Filtro de ar contaminado ou obstruído	Limpe
	Carburador anómalo	Peça uma inspecção e manutenção.
	Sistema de accionamento anómalo	Peça uma inspecção e manutenção.
A lâmina de corte não roda ↓ Pare o motor imediatamente	Porca de aperto da lâmina de corte desapertada	Aperte bem
	Paus apanhados pela lâminas de corte ou tampa de prevenção de dispersão.	Retire as substâncias estranhas
	Sistema de accionamento anómalo	Peça uma inspecção e manutenção.
A unidade principal vibra de forma anómala ↓ Pare o motor imediatamente	Lâmina de corte quebrada, dobrada ou gasta	Substitua a lâmina de corte
	Porca de aperto da lâmina de corte desapertada	Aperte bem
	Parte convexada desviada da lâmina de corte e suporte da lâmina de corte.	Encaixe bem
	Sistema de accionamento anómalo	Peça uma inspecção e manutenção.
A lâmina de corte não pára imediatamente ↓ Pare o motor imediatamente	Rotação de marcha rápida	Ajuste
	Fio de acelerador desencaixado	Encaixe bem
	Sistema de accionamento anómalo	Peça uma inspecção e manutenção.
O motor não pára ↓ Coloque o motor em marcha lenta e regule a alavanca do afogador para FECHAR	Conector desencaixado	Encaixe bem
	Sistema eléctrico anómalo	Peça uma inspecção e manutenção.

Quando o motor não arranca após a operação de aquecimento:

Se não encontrar nenhuma anomalia nos itens de verificação, abra o regulador de velocidade cerca de 1/3.

Tak fordi du købte denne MAKITA benzindreven buskrydder. Vi er glade for at kunne anbefale dig denne MAKITA benzindreven buskrydder, der er resultatet af et langt udviklingsprogram og mange års viden og erfaring. Læs venligst dette hæfte der i detaljer gennemgår de forskellige punkter, som demonstrerer maskinens fremragende ydeevne. Det vil hjælpe dig med at opnå det bedst mulige resultat med MAKITA benzindreven buskrydder.



Indhold	Side
Symboler	198
Sikkerhedsanvisninger	199
Tekniske data.....	203
Delenes betegnelser.....	205
Montering af håndtag.....	206
Montering af skærm.....	207
Montering af klinge eller nylontrimmerhoved.....	208
Inden anvendelse	210
Korrekt håndtering af maskinen.....	212
Punkter vedrørende betjening og stopprocedure	213
Vedligeholdelsesinstruktioner	215
Opbevaring	223

SYMBOLER

Du skal være opmærksom på følgende symboler, når du læser brugsanvisningen.

	Læs brugsanvisningen og overhold advarsels- og sikkerhedsforholdsreglerne!		Hold arbejdsområdet fri for personer og dyr!
	Vær særlig forsigtig og opmærksom!		Bær hjelm, øjen- og høreværn!
	Forbudt!		Maksimal tilladelig hastighed for værktøj
	Hold afstand!		Brændstof (Benzin)
	Risiko for flyvende genstande!		Manuel start af motor
	Rygning forbudt!		Nødstop
	Brug af åben ild forbudt!		Førstehjælp
	Der skal anvendes beskyttelseshandsker!		TÆNDT/START
	Anvend kraftige støvler med skridsikre såler. Sikkerhedssko med stål næse anbefales!		SLUKKET/STOP
	Tilbageslag!		

SIKKERHEDSANVISNINGER

Generelle retningslinjer

- Læs denne brugsanvisning så du bliver fortrolig med håndteringen af maskinen. Brugere, som ikke kender tilstrækkeligt til anvendelsen, er til fare for dem selv og andre pga. forkert håndtering af maskinen.
- Det anbefales kun at udlåne maskinen til personer, som har erfaring med håndtering af sådanne maskiner. Overdrag altid brugsanvisningen.
- Førstegangsbrugere bør bede forhandleren om grundlæggende instrukser for at få kendskab til håndteringen af buskryddere.
- Børn og personer under 18 år må ikke anvende maskinen. Personer over 16 må anvende maskinen til træningsformål under vejledning af en kvalificeret underviser.
- Anvend maskinen med allerstørste omhu og opmærksomhed.
- Anvend kun maskinen hvis du er ved godt helbred. Udfør alt arbejde roligt og forsigtigt. Brugeren har ansvaret for andre.
- Anvend aldrig denne maskine efter indtagelse af alkohol eller medicin, eller hvis du føler dig træt eller dårligt tilpas.
- Nationale bestemmelser kan begrænse brugen af maskinen.

Beregnet brug af maskinen

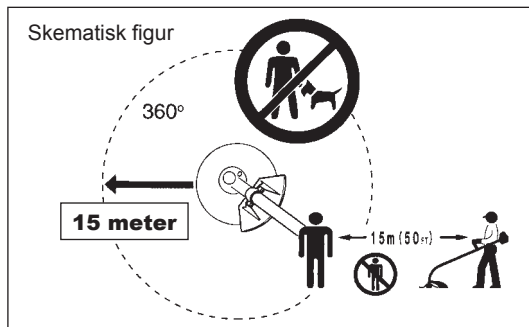
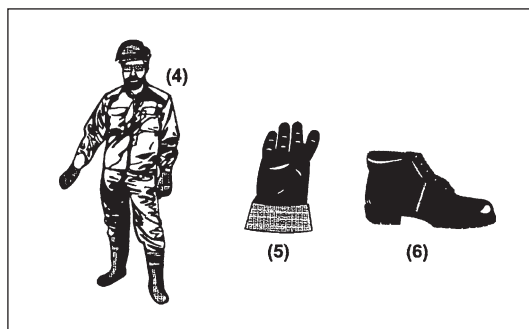
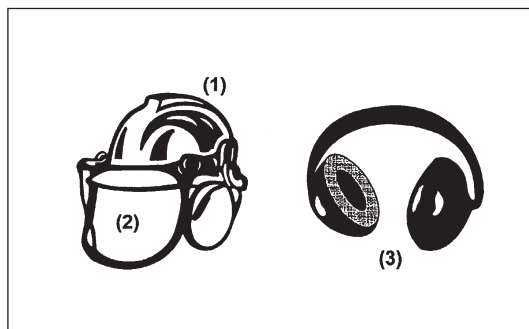
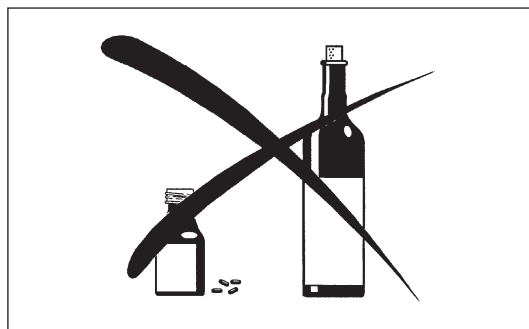
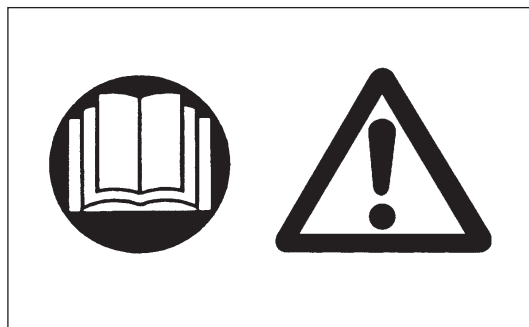
- Denne maskine er kun beregnet til klipping af græs, ukrudt, buske og bundvegetation. Den må ikke bruges til andre formål som f.eks. kantafretning eller hækkeklipping, eftersom det kan medføre personskader.

Personligt sikkerhedsudstyr

- Der skal bæres funktionelt og passende tøj, dvs. det bør sidde tæt, men ikke være til hindring. Bær ikke smykker eller tøj, der kan sidde fast i buske eller krat.
- For at undgå skader på hoved, øjne, hænder eller fødder samt for at beskytte din hørelse, skal du altid bære følgende sikkerhedsudstyr og beskyttelsesbeklædning under anvendelsen.
- Bær altid en hjelm på steder hvor der er risiko for, at ting falder ned. Beskyttelseshjelm (1) skal med jævne mellemrum efterses for skader, og skal udskiftes mindst hvert 5 år. Brug kun godkendte beskyttelseshjelme.
- Hjelmens visir (2) (eller alternativt beskyttelsesbriller) beskytter ansigtet mod flyvende afskårne dele og sten. Der skal der altid anvendes beskyttelsesbriller eller et visir under anvendelsen for at forhindre øjenskader.
- Anvend passende midler til beskyttelse mod støj for at undgå hørenedsættelse (hørevern (3) ørepropper m.v.).
- Arbejdsoveralls (4) beskytter mod flyvende sten og afskårne stykker. Vi anbefaler på det kraftigste, at brugeren anvender arbejdsoveralls.
- Handsker (5) er en del af det foreskrevne udstyr og skal altid bæres under anvendelsen.
- Når du anvender maskinen, skal du altid have solide sko (6) med skridsikre såler på. Dette beskytter mod skader og sikrer et godt fodfæste.

Start af buskrydderen

- Sørg venligst for, at der ikke er nogen børn eller andre personer inden for et arbejdsområde på 15 meter, samt vær opmærksom på eventuelle dyr i nærheden af arbejdsområdet.
- Før arbejdet påbegyndes, skal du altid kontrollere, at maskinen er klar til drift: Kontroller sikkerheden af skæreværktøjet, om gashåndtaget glider nemt, samt kontroller at gashåndtagsslåsen virker.
- Skæreværktøjet må ikke rotere i tomgang. Forhør dig hos din forhandler angående justering, hvis du er i tvivl. Sørg for, at håndtagene er rene og tørre og test funktionen af start/stop-kontakten.

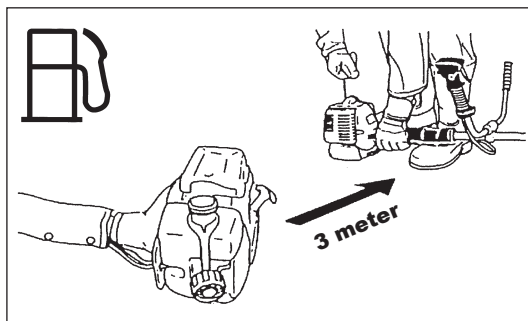
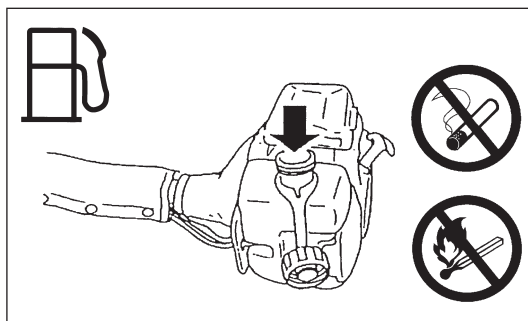
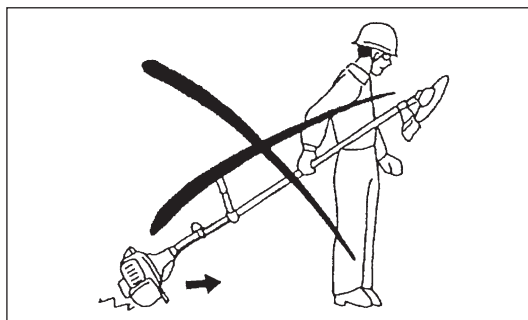
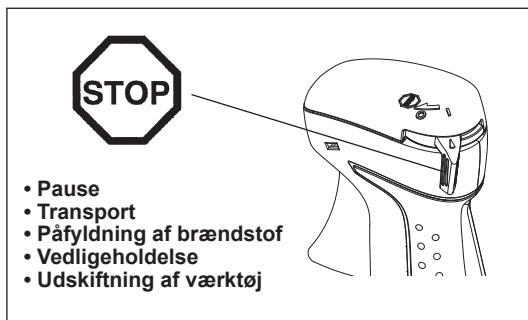
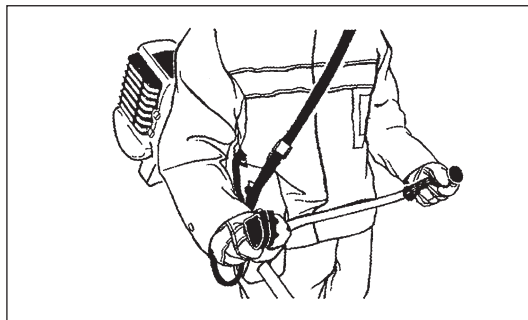
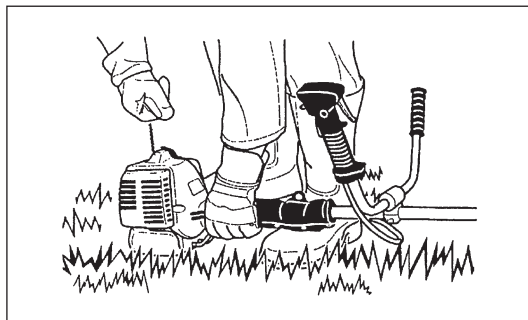


Start kun buskrydderen som beskrevet i brugsanvisningen.

- Benyt ikke andre metoder til at starte motoren med!
- Brug kun buskrydderen og værktøjerne til de specificerede anvendelser.
- Start kun motoren, når monteringen er fuldstændig udført. Det er kun tilladt at anvende maskinen, efter alt tilbehøret er monteret!
- Inden du starter, skal du sikre dig, at skæreværktøjet ikke er i kontakt med hårde objekter som f.eks. grene, sten eller lignende, eftersom skæreværktøjet drejer rundt, når du starter.
- Motoren skal øjeblikkeligt slås fra i tilfælde af motorproblemer.
- Skulle skæreværktøjet ramme sten eller andre hårde objekter, skal du straks slukke for motoren og efterse skæreværktøjet.
- Efterse skæreværktøjet for skader med korte jævne mellemrum (efterse for hårridser vha. banke-støj-testen).
- Hvis maskinen bliver udsat for stærkt tryk eller tabes, skal du kontrollere dens tilstand, inden du fortsætter arbejdet. Kontroller brændstofsyste­met for brændstoflækage samt betjenings- og sikkerhedsudstyr for funktionsfejl. Hvis der er nogen skader eller tvivlsspørgsmål, skal du bede vores autoriserede servicecenter om at foretage eftersyn og reparation.
- Anvend kun maskinen med bæreselen monteret, der desuden skal være ordentligt justeret, inden buskrydderen anvendes. Det er vigtigt at justere bæreselen i henhold til brugerens størrelse for at forhindre træthed under brug. Hold aldrig buskrydderen med kun én hånd under brug.
- Buskrydderen skal altid holdes med begge hænder under anvendelsen. Sørg altid for at have et godt fodfæste.
- Anvend maskinen på en sådan måde, at du undgår at indånde udstødningsgasserne. Lad aldrig motoren køre i indelukkede rum (risiko for gasforgiftning). Kulilte er en lugtfri gas.
- Sluk for motoren under pauser og når maskinen efterlades uden opsyn, og placer den på et sikkert sted for at forhindre at den er til fare for andre, eller maskinen beskadiges.
- Læg aldrig den varme buskrydder på tørt græs eller andre letantændelige materialer.
- Monter altid den godkendte afskærmning for skæreværktøj på maskinen, inden du starter motoren. Ellers kan kontakt med skæreværktøjet muligvis medføre alvorlig personskade.
- Alle sikkerhedsinstallationer og skærme, der følger med maskinen, skal anvendes under betjeningen.
- Anvend aldrig motoren med en defekt lyddæmper.
- Sluk for motoren under transport.
- Monter altid afskærmningen på klingens, når du transporterer maskinen.
- Sørg for at placere maskinen sikkert under biltransport for at undgå brændstoflækage.
- Sørg for at brændstoftanken er helt tom under transport.
- Når maskinen tages af vognen, må motoren aldrig tabes på jorden, eftersom dette kan medføre alvorlig beskadigelse af brændstoftanken.
- Undtagen i nødstilfælde må du aldrig tabe eller kaste maskinen ned på jorden, ellers kan dette beskadige maskinen alvorligt.
- Husk altid at løfte hele maskinen op fra jorden, når du flytter den. Det er yderst farligt at trække brændstoftanken hen over jorden, og det kan forårsage skader samt lækage af brændstof, der muligvis kan medføre brandudvikling.

Påfyldning af brændstof

- Sluk for motoren under påfyldning af brændstof, hold maskinen væk fra åben ild, samt undlad ryge.
- Undgå hudkontakt med mineralske olieprodukter. Indånd ikke brændstofdampe. Bær altid beskyttelsehandsker under påfyldning af brændstof. Skift og rens beskyttelsesbeklædningen med jævne mellemrum.
- Pas på ikke at spilde hverken brændstof eller olie for at forhindre forurening af jorden (miljøbeskyttelse). Rengør omgående buskrydderen, hvis du har spildt brændstof.
- Undgå at få brændstof på tøjet. Skift øjeblikkeligt tøj, hvis der kommer brændstof på (for at undgå at der går ild i tøjet).
- Efterse brændstofdækslet med jævne mellemrum for at sikre, at det kan lukkes ordentligt, og der ikke lækker brændstof ud.
- Stram omhyggeligt brændstoftankens dæksel til. Skift sted inden motoren startes (mindst 3 meter væk fra stedet for brændstofpåfyldningen).
- Påfyld aldrig brændstof i lukkede rum. Der kan ophobes brændstofdampe i jordhøjde (risiko for eksplosion).
- Foretag kun transport og opbevaring af brændstof i godkendte beholdere. Sørg for, at brændstof opbevares således, at børn ikke har adgang til det.



Betjeningsmetode

- Brug kun maskinen i god belysning og med godt udsyn. I vintersæsonen skal du være på vagt overfor glatte eller våde områder, is og sne (der er risiko for at falde). Sørg altid for at have et godt fodfæste.
- Skær aldrig over hoftehøjde.
- Stå aldrig på en stige med maskinen.
- Kravl aldrig op i træer for at klippe eller skære.
- Arbejd aldrig på ustabile overflader.
- Fjern sand, sten, søm m.v. som findes inden for arbejdsområdet. Fremmedlegemer kan beskadige skæreværktøjet og forårsage farlige tilbageslag.
- Inden foretagelse af skærearbejde skal skæreværktøjet have nået op på fuld arbejdshastighed.
- Når du anvender metalklinger, skal du svinge maskinen jævnt i en halvcirkel fra højre til venstre som ved brug af en le. Hvis der sætter sig græs eller grene fast mellem skæreværktøjet og afskærmningen, skal du altid standse motoren inden rengøring. Ellers kan utilsigtet klingerotation muligvis forårsage alvorlige personskader.
- Hold pauser for at forhindre tab af kontrol pga. træthed. Vi anbefaler, at du tager en 10 til 20 minutters pause hver time.

Skæreværktøjer

- Brug et skæreværktøj der passer til det aktuelle job. Nylontrimmerhoveder (snortrimmerhoveder) passer til trimning af græsplæne. Metalklinger passer til klipping af ukrudt, højt græs, buske, krat, underskov, buskads og lignende. Brug aldrig andre klinger, herunder pivoterende flerstykkede metalkæder og tærseklinger. Ellers kan det muligvis medføre alvorlig personskade.
- Når du bruger metalklinger, skal du undgå "tilbageslag" og altid være forberedt på et utilsigtet tilbageslag. Se afsnittet "Tilbageslag" og "Forhindring af tilbageslag".

Tilbageslag (klingestød)

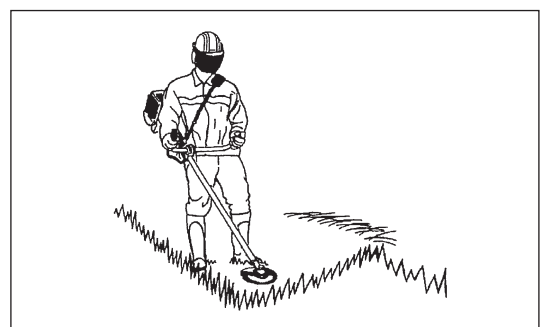
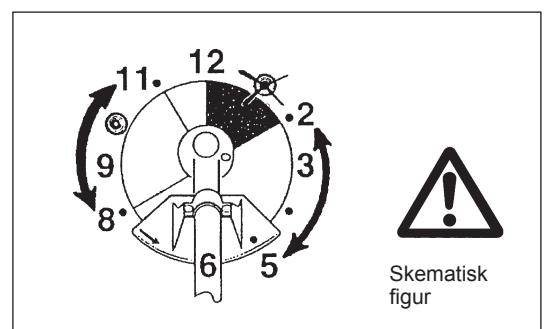
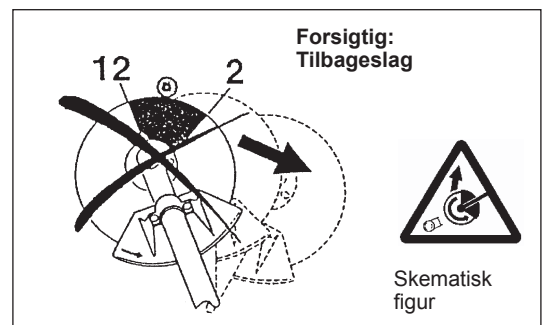
- Tilbageslag (klingestød) er en pludselig reaktion på en klinge, som sidder fast eller binder. Når det sker kastes udstyret ud til siden eller mod operatøren med stor kraft, og det kan muligvis medføre alvorlig personskade.
- Tilbageslag opstår i særdeleshed ved anvendelse af klingesegmentet mellem klokken 12 og 2 til faste ting, buske og træer med en diameter på 3 cm eller mere.
- Sådan undgås tilbageslag:
 - Anvend segmentet mellem klokken 8 og 11;
 - Anvend aldrig segmentet mellem klokken 12 og 2;
 - Anvend aldrig segmentet mellem klokken 11 og 12 og mellem klokken 2 og 5 medmindre operatøren er godt trænet og erfaren, og gør det på hans/hendes egen risiko;
 - Anvend aldrig klinger tæt på faste ting, som f.eks. hegn, mure, træstammer og sten;
 - Anvend aldrig klinger lodret, f.eks. til funktioner som kantafretning og hækkeklipping.

Vibration

- Personer med dårligt blodomløb, der udsættes for kraftige vibrationer, risikerer beskadigelse af blodkar eller nervesystemet. Vibrationer kan medføre følgende symptomer i fingre, hænder eller håndled: Leddet "sover" (følelsesløshed), prikken, smerte, stikken, ændring af hudfarven eller af huden. Søg læge, hvis nogle af disse symptomer opstår!
- For at reducere risikoen for "hvide fingre" skal du holde dine hænder varme under anvendelsen og vedligeholde maskinen og tilbehøret på ordentlig vis.

Vedligeholdelsesvejledning

- Få din maskine serviceeret af dit autoriserede servicecenter og anvend altid kun originale reservedele. Forkert reparation og dårlig vedligeholdelse kan forkorte maskinens levetid og forøge risikoen for uheld.
- Buskrydderens tilstand, især beskyttelsesanordningerne for skæreværktøjet og også bæreselen, skal kontrolleres inden brug. Vær også ekstra opmærksom på klingerne, der skal være slebet korrekt.
- Sluk for motoren og fjern tændrørshætten, når du udskifter eller sliber skæreværktøjer, samt også når du rengør buskrydderen eller skæreværktøjet.



Forsøg aldrig at rette beskadigede skæreværktøjer ud eller svejse dem.

- Vær opmærksom på omgivelserne. Undgå unødvendig aktivering af gashåndtaget for mindre luft- og støjforurening. Foretag korrekt justering af karburatoren.
- Rengør maskinen med jævne mellemrum og kontroller, at alle skruer og møtrikker er strammet ordentligt til.
- Foretag aldrig service eller opbevaring af maskinen i nærheden af åben ild.
- Opbevar altid maskinen på et aflåst sted og med en tom brændstoftank.
- Monter altid afskærmningen på klingen, når du rengør, servicerer og opbevarer maskinen.



Overhold de relevante vejledninger angående ulykkesforebyggelse som udgives af de pågældende brancheforeninger og forsikringsfirmaer. Af sikkerhedshensyn skal man ikke foretage ændringer på maskinen.

Udførslen af vedligeholdelsesarbejde eller reparationer af brugeren er begrænset til de ting, der er beskrevet i brugsanvisningen. Alt andet arbejde skal udføres af en godkendt serviceagent. Brug kun ægte reservedele og tilbehør som forhandles og leveres af MAKITA. Brug af ikke-godkendt tilbehør og værktøjer kan forøge risikoen for uheld. MAKITA påtager sig intet ansvar for ulykker eller skader, der er opstået på grund af brug af ikke-godkendte skæreværktøjer, fastgørelsesmidler til skæreværktøjer eller tilbehør.

Førstehjælp

I tilfælde af en ulykke skal du sørge for at have en førstehjælpskasse i nærheden af det sted, hvor du udfører skærearbejde. Erstat straks de ting der benyttes fra førstehjælpskassen.

Oplys venligst følgende hvis du tilkalder hjælp:

- Sted for ulykke
- Hvad der er sket
- Antallet af tilskadedekomne personer
- Hvilke skader det drejer sig om
- Dit navn



Kun for lande i Europa

EF-overensstemmelseserklæring

EF-overensstemmelseserklæringen er inkluderet som appendiks A til denne betjeningsvejledning.

TEKNISKE DATA

Model		EM2650UH	EM2650UHN	EM2650LH	EM2650LHN		
Håndtagstype		Cykelhåndtag		Bøjlehåndtag			
Mål: længde x bredde x højde (uden skæreværktøj)		mm		1.765 x 330 x 264			
Mål: længde x bredde x højde (uden skæreværktøj)		mm		1.765 x 620 x 474			
Vægt (uden plasticskærm og skæreværktøj)		kg		5,6			
Volumen (brændstoftank)		L		0,6			
Volumen (olietank)		L		0,08			
Motorvolumen		cm ³		25,4			
Maksimal motorydelse		kw		0,77 ved 7.000 min ⁻¹			
Motorhastighed ved anbefalet maksimal spindelhastighed		min ⁻¹		10.000			
Maksimal spindelhastighed (tilsvarende)		min ⁻¹		7.400			
Tomgangshastighed		min ⁻¹		3.000			
Indkoblingshastighed		min ⁻¹		3.900			
Karburator		Membrantype					
Tænding		Magnettype uden kontakt					
Tændrør		type		NGK CMR4A			
Elektrodeafstand		mm		0,7 - 0,8			
Vibration pr. ISO 22867	Højre håndtag (Bagerste greb)	$a_{hv\ eq}$	m/s ²	3,4	—	6,5	5,0
		Usikkerhed K	m/s ²	0,6	—	2,3	1,3
	Venstre håndtag (Forreste greb)	$a_{hv\ eq}$	m/s ²	4,5	—	6,7	6,4
		Usikkerhed K	m/s ²	0,6	—	1,9	1,4
Gennemsnitligt lydtrykkniveau i henhold til ISO 22868		$L_{PA\ eq}$	dB(A)	96,6	—	96,6	91,6
		Usikkerhed K	dB(A)	0,9	—	0,9	3,1
Gennemsnitligt lydeffektniveau i henhold til ISO 22868		$L_{WA\ eq}$	dB(A)	105,5	—	105,5	101,6
		Usikkerhed K	dB(A)	1,3	—	1,3	2,0
Brændstof		Almindelig benzin					
Motorolie		API grad SF-klasse eller højere, SAE 10W-30-olie (4-takts bilmotorolie)					
Skæreværktøjer (klingediameter)		mm		230			
Gearforhold		14/19					

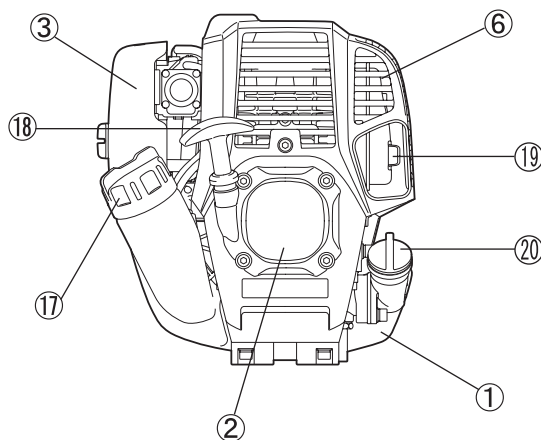
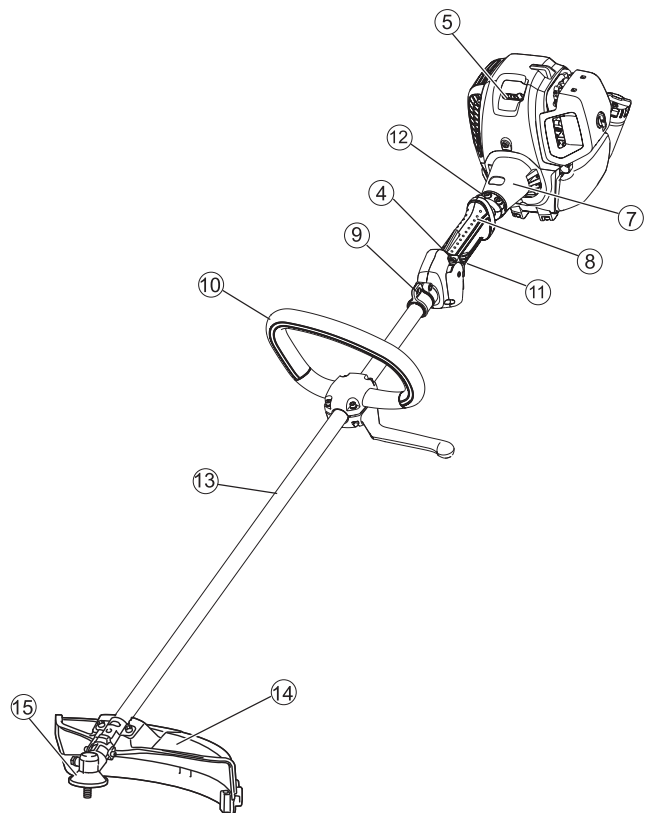
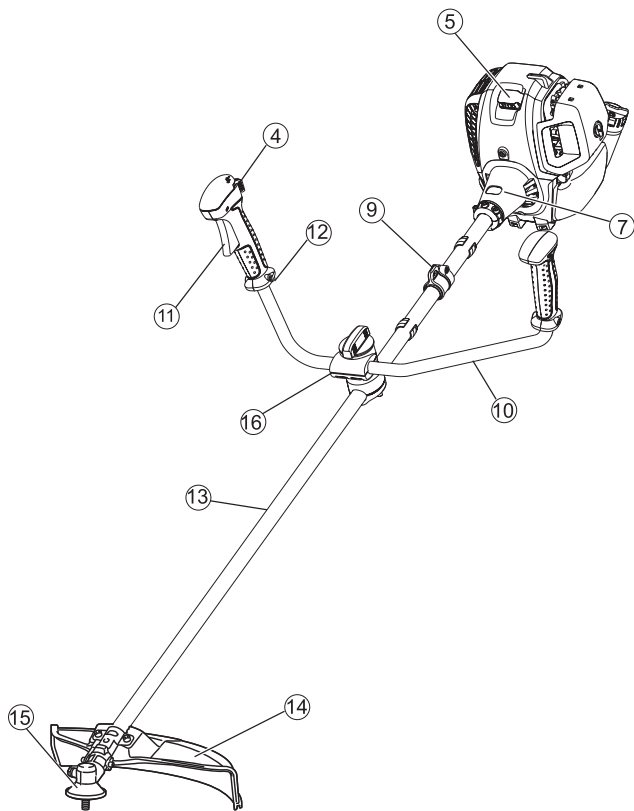
TEKNISKE DATA

Model		EM2651UH	EM2651LH	
Håndtagstype		Cykelhåndtag	Bøjlehåndtag	
Mål: længde x bredde x højde (uden skæreværktøj)	mm	1.765 x 620 x 474	1.765 x 330 x 264	
Vægt (uden plasticskærm og skæreværktøj)	kg	5,8	5,3	
Volumen (brændstoftank)	L	0,6		
Volumen (olietank)	L	0,08		
Motorvolumen	cm ³	25,4		
Maksimal motorydelse	kw	0,77 ved 7.000 min ⁻¹		
Motorhastighed ved anbefalet maksimal spindelhastighed	min ⁻¹	10.000		
Maksimal spindelhastighed (tilsvarende)	min ⁻¹	7.400		
Tomgangshastighed	min ⁻¹	3.000		
Indkoblingshastighed	min ⁻¹	3.900		
Karburator		Membrantype		
Tænding		Magnettype uden kontakt		
Tændrør	type	NGK CMR4A		
Elektrodeafstand	mm	0,7 - 0,8		
Vibration pr. ISO 22867	Højre håndtag (Bagerste greb)	a _{hv eq} m/s ²	3,3	5,7
		Usikkerhed K m/s ²	0,8	1,2
	Venstre håndtag (Forreste greb)	a _{hv eq} m/s ²	4,3	6,0
		Usikkerhed K m/s ²	1,6	1,8
Gennemsnitligt lydtryksniveau i henhold til ISO 22868	L _{PA eq} dBA	96,6		
	Usikkerhed K dBA	0,9		
Gennemsnitligt lydeffektniveau i henhold til ISO 22868	L _{WA eq} dBA	105,5		
	Usikkerhed K dBA	1,3		
Brændstof		Almindelig benzin		
Motorolie		API grad SF-klasse eller højere, SAE 10W-30-olie (4-takts bilmotorolie)		
Skæreværktøjer (klingediameter)	mm	230		
Gearforhold		14/19		

DELENES BETEGNELSER

EM2650UH
EM2650UHN
EM2651UH

EM2650LH
EM2650LHN
EM2651LH



DK	DELENES BETEGNELSER
1	Brændstoftank
2	Startsnor
3	Luftfilter
4	I-O kontakt (tænd/sluk)
5	Tændrør
6	Lyddæmper
7	Koblingshus
8	Bagerste greb
9	Bøjle
10	Håndtag
11	Gashåndtag
12	Styrekabel
13	Skaf
14	Skærm (afskærmning for skæreværktøj)
15	Gearkasse/Hovedhus
16	Håndtagsholder
17	Brændstofdæksel
18	Starthåndtag
19	Udstødningsrør
20	Oliemålerpind

MONTERING AF HÅNDTAG

FORSIGTIG: Inden du udfører arbejde på den benzindrevne buskrydder, skal du altid stoppe motoren og fjerne tændrørshætten fra tændrøret.
Bær altid beskyttelseshandsker!

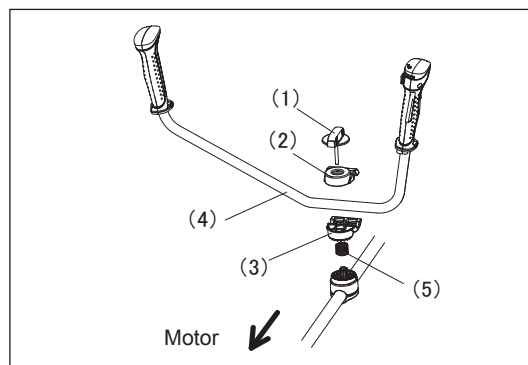
FORSIGTIG: Start kun den benzindrevne buskrydder efter den er helt samlet.



Til maskiner med cykelhåndtag

- Løsn knap (1).
- Placer håndtaget (4) mellem håndtagsklemmen (2) og håndtagsholderen (3).
- Juster håndtaget (4) ind på en vinkel der giver en behagelig arbejdsposition, og fastgør det derefter ordentligt ved at stramme knappen til med håndkraft (1).

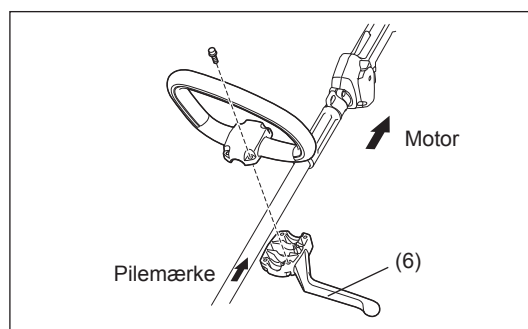
FORSIGTIG: Glem ikke at montere fjederen (5).



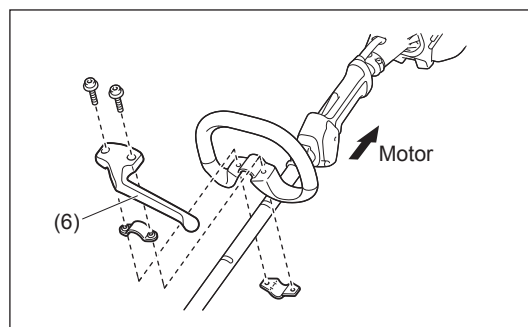
Til maskiner med bøjlehåndtag

- Fastgør en skærm (6) på venstre side af maskinen sammen med håndtaget for betjeningssikkerhed.
- Sørg for at grebets/skærmens montering er placeret mellem afstandsstykket og pilemærket.

ADVARSEL: Du må hverken fjerne eller formindske afstandsstykket. Afstandsstykket sikrer en bestemt afstand mellem begge hænder. Indstilles grebet/skærmens montering tæt på det andet greb, udover afstandsstykkets længde, kan det medføre tab af kontrol og personskaade.



Bemærk: I visse lande er håndtaget muligvis en type uden skærm.



MONTERING AF SKÆRM

ADVARSEL:

Brug altid maskinen med den godkendte kombination af sikkerhedsudstyr. Ellers kan kontakt med et skæreværktøj muligvis medføre alvorlig personskade.

FORSIGTIG:

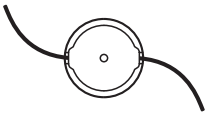
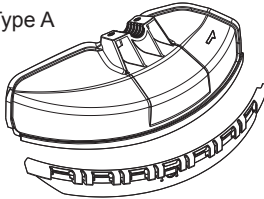
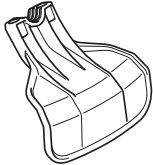
Stram den højre og venstre bolt lige meget, sådan at afstanden mellem klemmen og skærmen er konstant. Ellers fungerer skærmen muligvis ikke som forventet.

For at leve op til de gældende sikkerhedsbestemmelser må der kun anvendes de kombinationer af maskine/afskærmning, som er angivet i tabellen.

Brug af metalklinge

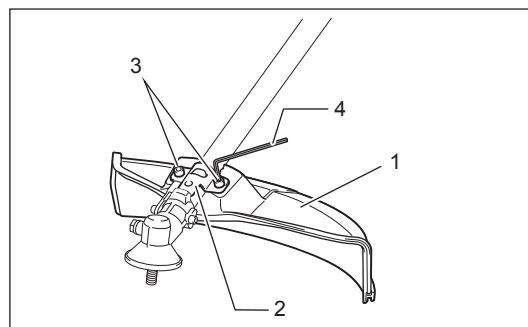
Metalklinge	Klemmeskive, skål, og møtrik er nødvendig	Beskytter
		Type A 

Brug med nylontrimmerhoved

Nylontrimmerhoved	Beskytter
	Type A  Type B 

For metalklinge

Fastgør type A-skærmen (1) til klemmen (2) med to M6 x 25-bolte (3) med unbrakonøgle 5 (4).



For nylontrimmerhoved (for type A-skærm)

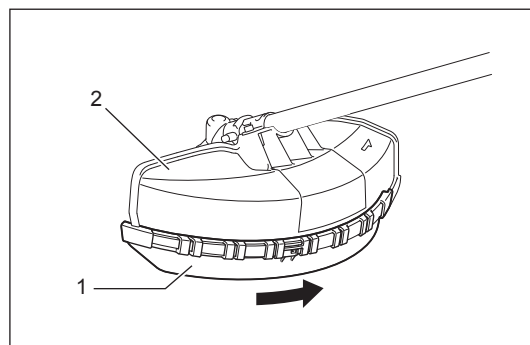
FORSIGTIG:

Sørg for at skubbe skærmforlængelsen (1) helt ind på plads. Ellers kan skærmforlængelsen muligvis falde af og forårsage personskade.

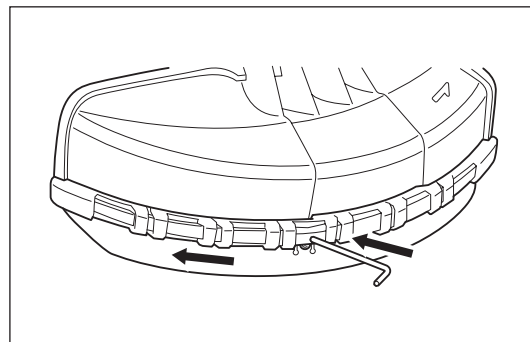
FORSIGTIG:

Pas på du ikke kommer til skade på kniven til skæring af nylonsnoren.

1. Fastgør skærmen til klemmen med to M6 x 25-bolte.
2. Monter skærmforlængelsen (1) ved at skubbe den ind på plads fra siden af metalklingeskærmen (2).
3. Fjern tapen fra kniven på skærmforlængelsen, som afskærer nylonsnoren.



4. For at afmontere skærmforlængelsen skal du sætte en unbrakonøgle 4 ind i indhakket på skærmen og trykke den ind, mens du skubber skærmforlængelsen af.

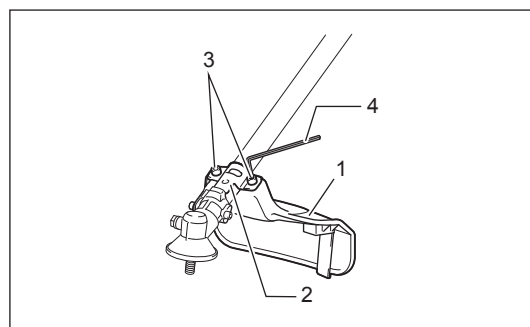


For nylontrimmerhoved (for type B-skærm)

FORSIGTIG:

Pas på du ikke kommer til skade på kniven til skæring af nylonsnoren.

Fastgør skærmen (1) til klemmen (2) med to M6 x 25-bolte (3) med unbrakonøgle 5 (4).



MONTERING AF KLINGE ELLER NYLONTRIMMERHOVED

FORSIGTIG:

Sørg for at anvende ægte MAKITA-klinger eller nylontrimmerhoved.

- Klingen skal være velpudset, fri for ridser og revner. Hvis klingen rammer mod en sten under arbejdet, skal du stoppe motoren og straks undersøge klingen.
- Puds eller udskift altid klingen efter tre timers brug.
- Hvis nylontrimmerhovedet rammer mod en sten under arbejdet, skal du stoppe motoren og straks undersøge nylontrimmerhovedet.

FORSIGTIG:

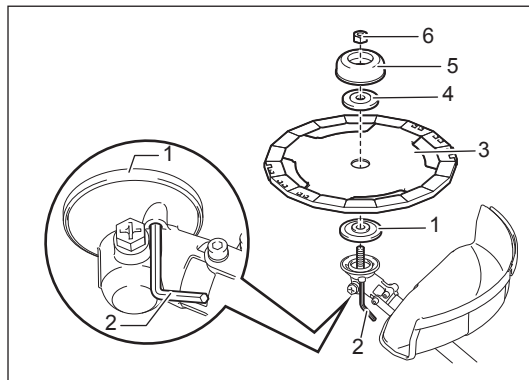
Den udvendige diameter på klingen skal være mindst 230 mm. Brug aldrig klinger der har en større udvendig diameter end 230 mm. Vend maskinen på hovedet, så kan du nemt udskifte klingen eller nylontrimmerhovedet.

Montering af metalklingen

FORSIGTIG:

Bær altid handsker og sæt klingedækslet på metalklingen, når du håndterer klingen.

1. Monter modtageskiven (1) på akslen.
2. Indsæt unbrakonøglen 4 (2) gennem hullet i gearkassen og drej modtageskiven (1) indtil den er låst med unbrakonøglen.
3. Monter metalklingen (3) på skaftet sådan at føringen på modtageskiven (1) passer ind i skaftåbningen på metalklingen.
4. Monter klemmeskiven (4), skålen (5), og fastgør klingen ved at dreje møtrikken (6) mod uret. [Tilspændingsmoment: 13 - 23 N-m]
5. Fjern unbrakonøglen efter montering af metalklingen.

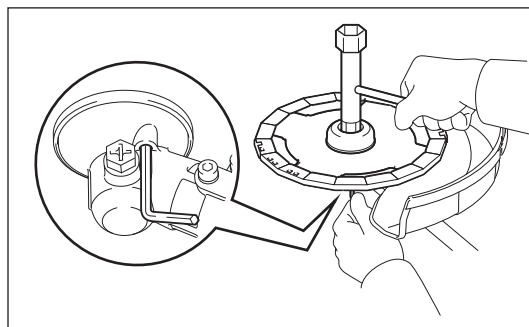


For at fjerne metalklingen skal du gøre som følger:

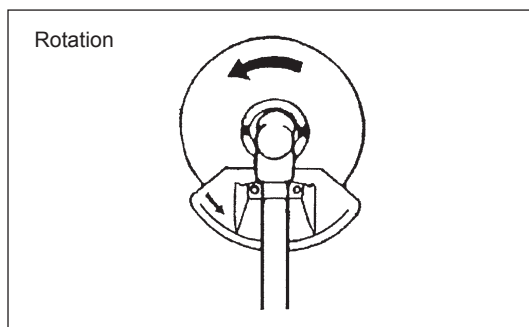
1. Sæt unbrakonøglen ind gennem hullet i gearkassen og drej modtageskiven indtil den er låst med unbrakonøglen.
2. Løsn møtrikken i urets retning med skruenøglen og fjern møtrikken, skålen, klemmeskiven og unbrakonøglen.

BEMÆRK:

Fastspændingsmøtrikken til klingen (med fjederskive) slides med tiden. Udskift møtrikken, hvis der kan ses slid eller deformation på fjederskiven.

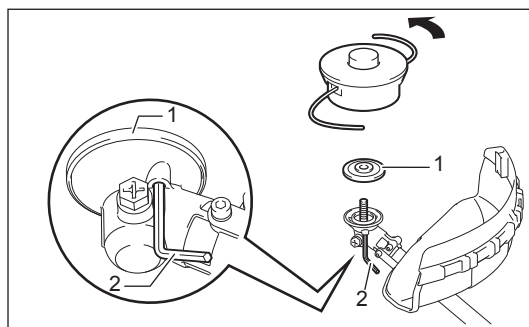


Kontroller, at klingen er vendt til venstrerotation.



Montering af nylontrimmerhovedet

1. Monter modtageskiven (1) på akslen.
2. Sæt unbrakonøglen (2) ind gennem hullet i gearkassen og drej modtageskiven (1) indtil den er låst med unbrakonøglen.
3. Skru nylontrimmerhovedet på skaftet ved at dreje det mod urets retning.
4. Fjern unbrakonøglen efter montering af nylontrimmerhovedet.



INDEN ANVENDELSE

Eftersyn og opfyldning af motorolie

- Udfør den følgende procedure med afkølet motor.
- Placer motoren vandret, tag oliedækslet af (Fig. 1) og kontroller om der er olie i området mellem den øvre grænse og nedre grænse på olierøret (Fig. 2).
- Fyld op med olie til mærket for den øvre grænse hvis der mangler olie (olieniveauet er tæt på mærket for den nedre grænse) (Fig. 3).
- Området omkring de udvendige mærker er gennemsigtigt, så du kan kontrollere oliemængden indeni uden at tage oliedækslet af. Men hvis olierøret bliver meget beskidt, kan det blive svært at se ordentligt, og så skal olieniveauet kontrolleres i henhold til den trindelte sektion indeni olierøret.
- Som reference skal der påfyldes olie hver 10 timer (10 gange eller 10 tanke pr. oliepåfyldning).
Hvis olien skifter farve, eller der kommer snavs i, skal den udskiftes med ny olie. (For udskiftningsinterval og metode, se side 215)

Anbefalet olie: SAE 10W-30 olie under API-klassifikation, klasse SF eller højere (4-takts bilmotor)

Oliemængde: Cirka 0,08L

Bemærk: Hvis motoren ikke holdes i oprejst stilling, kan olie bevæge sig rundt i motoren, og der fyldes muligvis for meget på.
Hvis der påfyldes olie over grænsen, kan olien blive beskidt og eventuelt antændes med afgivelse af hvid røg til følge.

Punkt 1 i Udskiftning af olie: "Oliemålerpind"

- Fjern støv og snavs i nærheden af oliepåfyldningsåbningen og fjern oliemålerpinden.
- Sørg for at holde den udtagne oliemålerpind fri for sand og støv. I modsat fald kan sand eller støv, der sidder fast på oliemålerpinden medføre irregulær oliecirculation eller slid på motordelene, hvilket kan forårsage problemer.

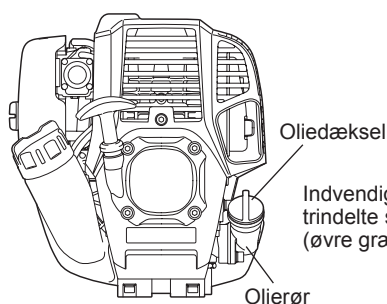


Fig. 1

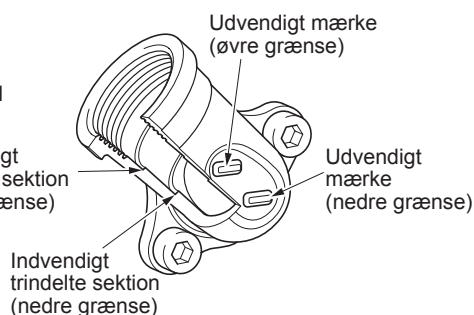
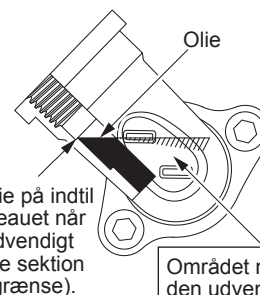


Fig. 2 Olierør

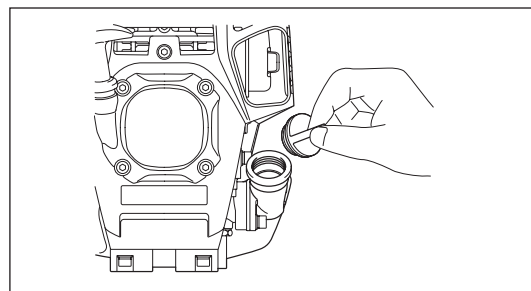


Fyld olie på indtil olieniveauet når den indvendigt trindelte sektion (øvre grænse).

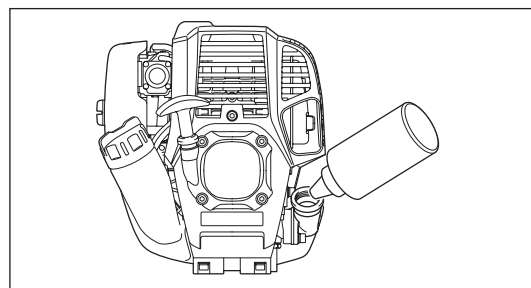
Området mellem den udvendige øvre og nedre grænse er gennemsigtigt, så olieniveauet kan kontrolleres udefra vha. disse mærker.

Fig. 3

- (1) Hold motoren vandret og fjern oliedækslet.



- (2) Fyld olie op til mærket for den øvre grænse. (se Fig. 3)
Brug en oliekanne til påfyldning.



- (3) Stram oliedækslet ordentligt til. Der kan spildes olie, hvis det ikke strammes ordentligt.

Bemærk

- Skift ikke olie, mens motoren er i en vippet position.
- Fyldes der olie på, mens motoren er vippet, medfører det overfyldning, hvilket forårsager olieforurening og/eller hvid røg.

Punkt 2 i Udskiftning af olie: "Hvis der spildes olie"

- Hvis der spildes olie mellem brændstoftanken og motoren, suges olien ind gennem luftafkølingsindtaget, hvilket kan forurene motoren. Sørg for at tørre spildt olie af inden start af maskinen.

PÅFYLDNING AF BRÆNDSTOF

Håndtering af brændstof

Det er nødvendigt at håndtere brændstof med stor forsigtighed. Brændstof kan indeholde substanser, der ligner opløsningsmidler. Påfyldning af brændstof skal udføres i et tilstrækkeligt ventileret rum eller i fri luft. Indhaler aldrig brændstofdampe og hold brændstof væk fra dig. Hvis du rører gentagne gange ved brændstof, eller i lang tid, bliver huden tør, og det kan muligvis medføre hudsygdomme eller allergi. Hvis du får brændstof i øjet, skal du rense øjet med rent vand. Hvis det stadig er irriteret, skal du kontakte en læge.

Opbevaringsperiode for brændstof

Brændstof bør opbruges inden for 4 uger, selvom det opbevares i en særlig beholder på et sted i skyggen med god udluftning. Hvis der ikke anvendes en særlig beholder, eller hvis beholderen ikke er dækket til, kan brændstoffet nedbrydes på en dag.

OPBEVARING AF MASKINE OG GENOPFYLDNINGSTANK

- Opbevar maskinen og tanken på et køligt sted uden for direkte sollys.
- Opbevar aldrig brændstof inde i kabinen eller i bagagerummet.

Brændstof

Motoren er en firetakts motor. Sørg for at anvende benzin til biler (almindelig benzin eller superbenzin).

Punkter angående brændstof

- Brug aldrig en benzinblanding der indeholder motorolie. I modsat fald vil det medføre en for stor kulophobning eller mekaniske problemer.
- Brug af gammel olie medfører startproblemer.

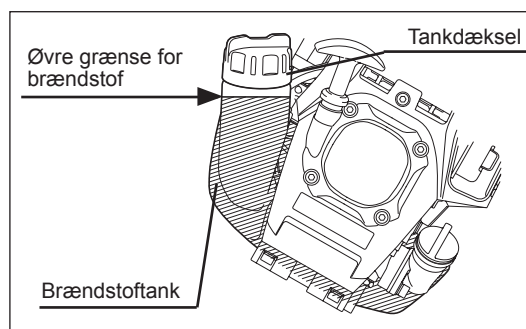
Påfyldning af brændstof

ADVARSEL: BRÆNDBARE STOFFER ER STRENGT FORBUDT

Anvendt benzin: Benzin til biler (blyfri)

- Løsn tankdækslet en lille smule, sådan at der ikke er nogen forskel i atmosfærisk tryk.
- Tag tankdækslet af, påfyld brændstof og luk luften ud ved at tippes brændstoftanken sådan at brændstofåbningen vender opad. (Fyld aldrig brændstof i oliepåfyldningsåbningen.)
- Tør tankdækslet ordentligt af for at forhindre fremmedlegemer i at komme ned i brændstoftanken.
- Efter påfyldning af brændstof strammes tankdækslet ordentligt til.

- Hvis der er revner eller skader på tankdækslet, skal det udskiftes.
- Tankdækslet er en forbrugsdel og bør derfor altid udskiftes efter to til tre år.



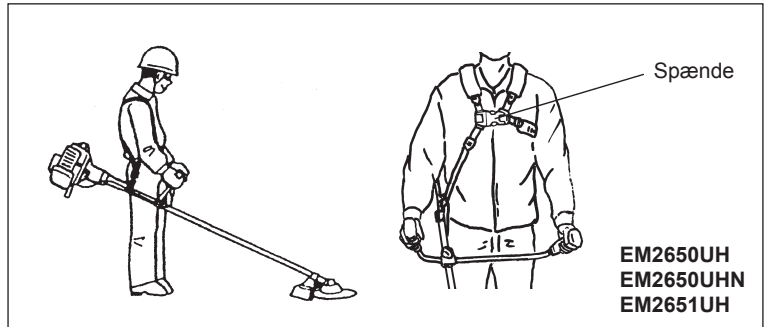
KORREKT HÅNDTERING AF MASKINEN

Montering af bærerem

- Juster længden af remmen sådan, at klingen holdes parallelt med jorden.

For EM2650UH, EM2650UHN, EM2651UH

BEMÆRK: Pas på at tøj m.v. ikke sætter sig fast i spændet.

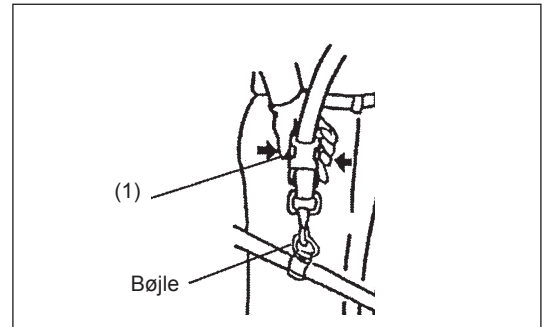


Aftagning

For EM2650LH, EM2651LH

- I en nødsituation, tryk på indhakkene (1) på begge sider, og du kan frigøre dig fra maskinen.
Du skal være meget omhyggelig med at beholde kontrollen over maskinen på dette tidspunkt. Tillad ikke maskinen at blive slået tilbage mod dig eller andre i nærheden.

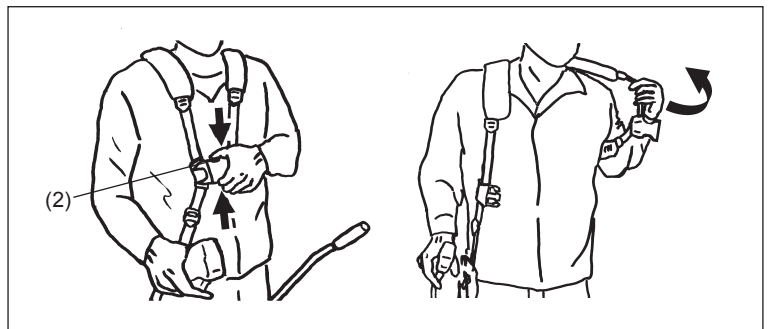
ADVARSEL: Hvis du ikke har fuld kontrol over maskinen, kan det resultere i alvorlig kvæstelse eller DØD.



For EM2650UH, EM2650UHN, EM2651UH

- I en nødsituation, tryk på indhakkene (2) på begge sider, og du kan frigøre dig fra maskinen.
Du skal være meget omhyggelig med at beholde kontrollen over maskinen på dette tidspunkt. Tillad ikke maskinen at blive slået tilbage mod dig eller andre i nærheden.

ADVARSEL: Hvis du ikke har fuld kontrol over maskinen, kan det resultere i alvorlig kvæstelse eller DØD.

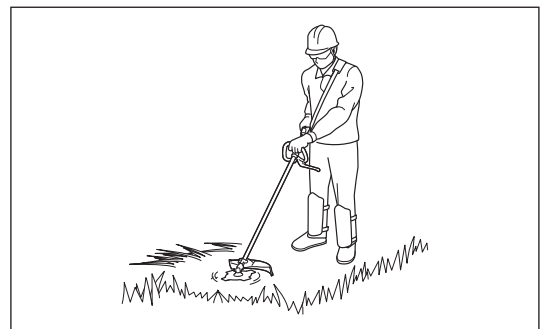


ADVARSEL:

Placer altid maskinen på din højre hånds side. Korrekt placering af maskinen giver bedst mulig kontrol og reducerer risikoen for alvorlig personskade pga. tilbageslag.

ADVARSEL:

Du skal være meget omhyggelig med at beholde kontrollen over maskinen konstant. Tillad ikke maskinen at blive slået tilbage mod dig eller andre i nærheden. Har du ikke kontrol over maskinen, kan det resultere i alvorlige personskader på andre tilstedeværende og operatøren.



Betjening af nylontrimmerhoved

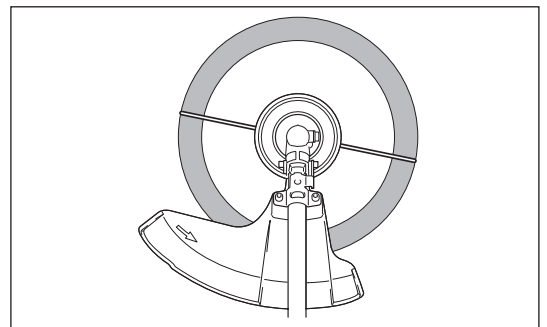
Nylontrimmerhovedet er et dobbeltrådtrimmerhoved udstyret med en bankfremføringsmekanisme.

For at fremføre nylonsnoren skal du banke trimmerhovedet let ned i jorden, mens det roterer.

Det mest effektive skæreområde er vist med det skraverede område.

BEMÆRK:

Hvis nylonsnoren ikke fremføres, når hovedet bankes let ned i jorden, skal du oprulle/udskifte nylonsnoren ved at følge de procedurer, som er beskrevet under "VEDLIGEHOLDELSEINSTRUKTIONER".



PUNKTER VEDRØRENDE BETJENING OG STOPPROCEDURE

Overhold de gældende bestemmelser for ulykkesforebyggelse!

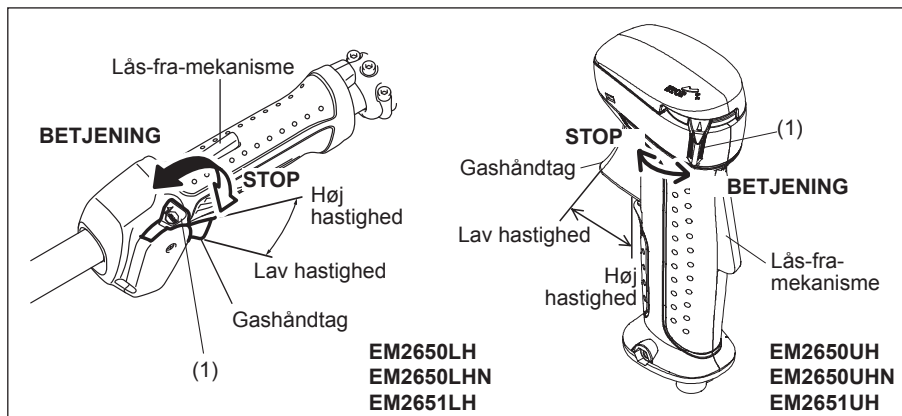


START

Gå mindst 3 m væk fra stedet for brændstofpåfyldningen. Placer den benzindrevne buskrydder på et rent jordunderlag, mens du passer på, at skæreværktøjet ikke kommer i kontakt med jorden eller andre genstande.

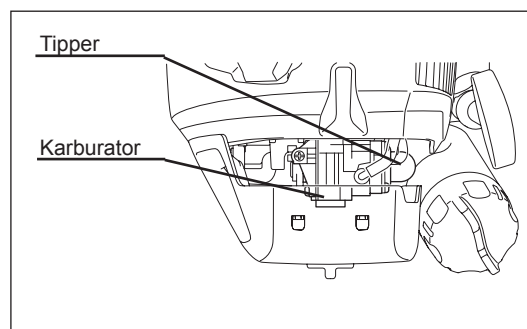
A: Koldstart

- 1) Placer maskinen på et plant område.
- 2) Sæt I-O kontakten (1) på BETJENING.



- 3) Tipper

Fortsæt med at trykke på tipperen indtil der kommer brændstof ind i tipperen. (Normalt kommer der brændstof ind i tipperen efter 7 til 10 tryk.) Hvis der trykkes for meget på tipperen, vender det overskydende brændstof tilbage til brændstofftanken.



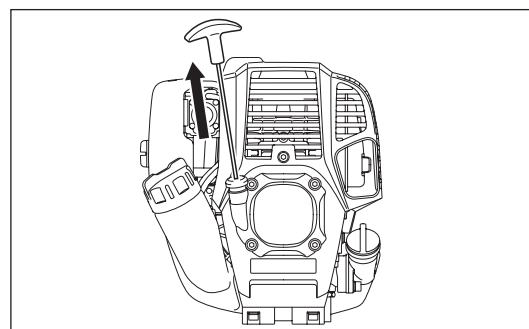
- 4) Rekylstarter

Træk forsigtigt i starthåndtaget indtil det bliver hårdt at trække i (kompressionspunktet). Før derefter starthåndtaget tilbage, og træk hårdt i det.

Træk aldrig snoren helt ud. Når først starthåndtaget er trukket, må du aldrig slippe med det samme. Hold i starthåndtaget indtil det vender tilbage til den oprindelige position.

- 5) Opvarmning

Fortsæt opvarmning i 2 til 3 minutter.



Bemærk: Hvis der er opstået et for stort brændstofindtag, skal du fjerne tændrøret og trække langsomt i starterhåndtaget for at fjerne det overskydende brændstof. Tør også tændrørets elektrodedel af.

Vær opmærksom på følgende under arbejdet:

Hvis gashåndtaget åbnes helt op, uden der er nogen belastning, stiger motoromdrejningerne til 10.000 min⁻¹ eller mere. Betjen aldrig motoren ved en højere hastighed end nødvendigt, og hold en omtrentlig hastighed på 6.000 - 8.500 min⁻¹.

B: Opstart efter opvarmning

- 1) Tryk gentagne gange på tipperen.
- 2) Hold gashåndtaget på tomgangspositionen.
- 3) Træk hårdt i rekylstarteren.
- 4) Hvis det er svært at starte motoren, skal du åbne gashåndtaget med cirka en 1/3. Vær opmærksom på at klingens der muligvis roterer.

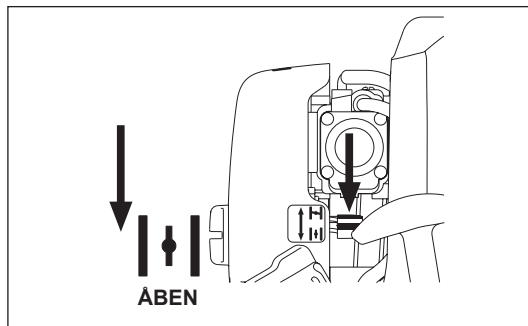
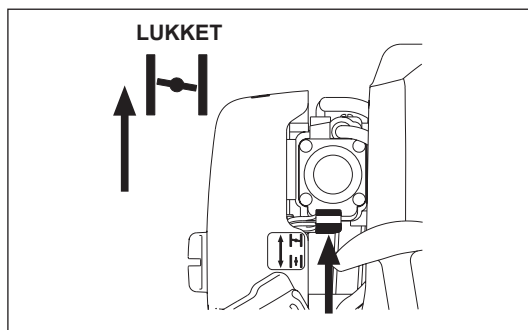
Når det er svært at starte motoren som f.eks. om vinteren

Betjen chokerhåndtaget vha. følgende procedure når motoren startes.

- Efter du har gennemført starttrinene 1) til 3), placeres chokerhåndtaget i LUKKET-positionen.
- Gennemfør starttrin 4) og start motoren.
- Når først motoren er startet, placeres chokerhåndtaget i ÅBEN-positionen.
- Gennemfør starttrin 5) og afslut opvarmningen.

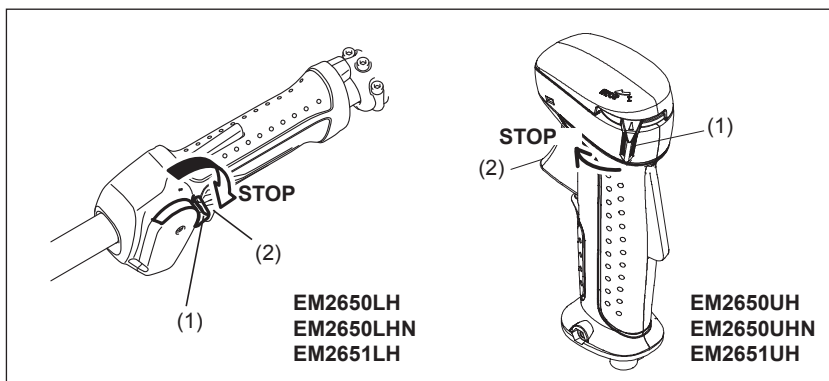
FORSIGTIG: Hvis der høres et knald (eksplosionslyd), og motoren standser, eller hvis den ny-startede motor standser, inden chokerhåndtaget betjenes, skal chokerhåndtaget sættes tilbage til ÅBEN-positionen, og du skal trække i et par gange i starthåndtaget for at starte motoren.

FORSIGTIG: Hvis chokerhåndtaget forbliver i LUKKET-positionen, og der blot trækkes gentagne gange i starthåndtaget, suges der for meget brændstof ind, og motoren får svært ved at starte.



STOPPROCEDURE

- 1) Slip gashåndtaget (2) helt, og når motorens omdrejninger er faldet, skal du skubbe I-O kontakten over på STOP for at standse motoren.
- 2) Vær opmærksom på at skærehovedet muligvis ikke stopper øjeblikkeligt, og giv det tid til at bremse helt ned.



JUSTERING AF OMDREJNINGER VED LAV HASTIGHED (TOMGANG)

Når det er nødvendigt at justere omdrejningerne ved lav hastighed (tomgang), skal du justere på karburatorens justeringsskrue.

KONTROL AF OMDREJNINGER VED LAV HASTIGHED

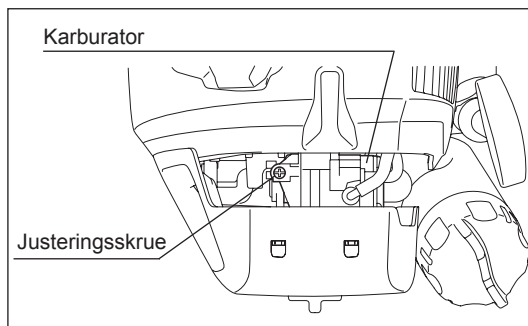
FORSIGTIG:

Skæreudstyret roterer muligvis under karburatorjusteringer. Bær dit beskyttelsesudstyr og overhold alle sikkerhedsinstruktioner. Sørg for at skæreudstyret stopper med at dreje rundt, når motoren går i tomgang.

FORSIGTIG:

Når enheden er slukket, skal du sikre dig, at skæreudstyret er stoppet, inden du sætter enheden ned.

- Indstil omdrejningerne ved lav hastighed til 3.000 min⁻¹. Hvis det er nødvendigt at ændre omdrejningshastigheden, skal du indstille justeringsskruen (illustreret til højre) med en stjerneskruetrækker.
- Drej justeringsskruen til højre for at forøge motoromdrejningerne. Drej justeringsskruen til venstre for at sænke motoromdrejningerne.
- Karburatoren justeres almindeligvis inden afsending. Hvis det er nødvendigt at justere den, kontakt venligst en godkendt serviceagent.



VEDLIGEHOLDELSESINSTRUKTIONER

FORSIGTIG: Inden du udfører noget arbejde på den benzindrevne buskrydder, skal du altid stoppe motoren og fjerne tændrørshætten fra tændrøret (se "kontrol af tændrøret").
Bær altid beskyttelseshandsker!

Udfør følgende vedligeholdelse med jævne intervaller for at sikre en lang brugslevetid og for at undgå skader på maskinen.

Dagligt eftersyn og vedligeholdelse

- Kontroller inden brug maskinen for løse skruer eller manglende dele. Vær især opmærksom på tilspændingen af klingens eller nylontrimmerhovedet.
- Inden anvendelse, kontroller altid for tilstopning af luftafkølingskanalen og cylinderrubberne. Rengør dem om nødvendigt.
- Udfør dagligt følgende vedligeholdelse efter brug:
 - Rengør den benzindrevne buskrydder udvendigt og se efter for skader.
 - Rens luftfilteret. Rens filteret flere gange om dagen, når du arbejder i ekstremt støvede omgivelser.
 - Kontroller klingens og nylontrimmerhovedet for skader og sørg for, at den/det er ordentligt monteret.
 - Kontroller, om der er tilstrækkelig forskel mellem tomgang- og arbejdshastigheder for at sikre, at skæreværktøjet ikke bevæger sig, når motoren er i tomgang (hvis det er nødvendigt, skal du reducere tomgangshastigheden). Hvis værktøjet stadig kører under tomgang, skal du konsultere den nærmeste godkendte serviceagent.
- Kontroller funktionen af I-O kontakten, lås-fra-mekanismen, gashåndtaget og låseknappen.

Slibning af metalklinge

FORSIGTIG:

Metalklingerne må kun slibes på et autoriseret værksted. Manuel slibning kan medføre ubalancer i skæreværktøjet, hvilket forårsager vibrationer og skader på maskinen.

BEMÆRK: For at forlænge klingens levetid, kan den vendes om en enkelt gang, indtil begge skærekanter er blevet sløve.

UDSKIFTNING AF MOTOROLIE

Gammel motorolie forkorter levetiden drastisk for glidende og roterende dele. Sørg for at kontrollere udskiftningstid og kvantitet.



BEMÆRK: Generelt er motoren og motorolien stadig meget varme lige efter, at motoren er stoppet. Ved udskiftning af olien skal du sørge for, at motoren og motorolien er tilstrækkeligt afkølede. Eller er der risiko for forbrænding.

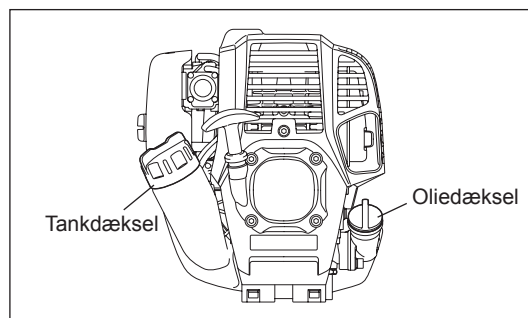
Bemærk: Hvis der påfyldes olie over grænsen, kan olien blive beskidt og eventuelt antændes med afgivelse af hvid røg til følge.

Interval for udskiftning: I starten efter hver 20 driftstimer, og efterfølgende efter hver 50 driftstimer

Anbefalet olie: SAE 10W-30 olie under API-klassifikation, klasse SF eller højere (4-takts bilmotor)

For udskiftning, udfør følgende procedure.

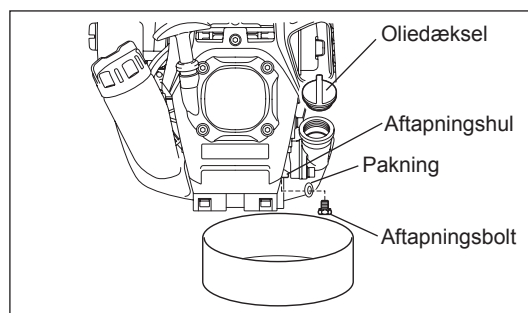
- 1) Bekræft, at tankdækslet er strammet ordentligt til.
- 2) Placer en stor beholder (skål, osv.) under aftapningshullet.



- 3) Fjern aftapningsbolten og fjern derefter oliedækslet for at tømme olien ud fra aftapningshullet. Du skal her passe på ikke at forlægge boltens pakning eller tilsnævse nogen af de aftagne komponenter.

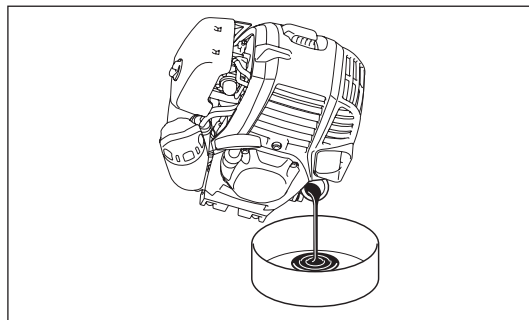
- 4) Når først al olien er tømt af, skal pakningen sættes på aftapningsbolten, og boltens skal skrues ordentligt på, så den ikke løsner sig og forårsager lækager.

* Brug en klud til at aftørre alle olierester på boltens og udstyret.

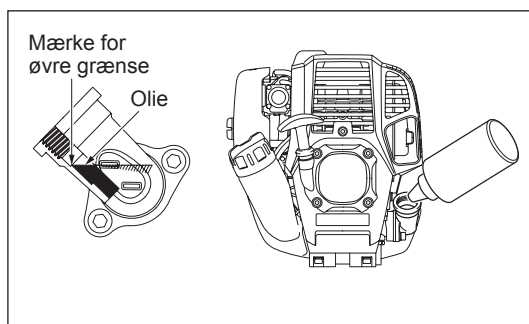
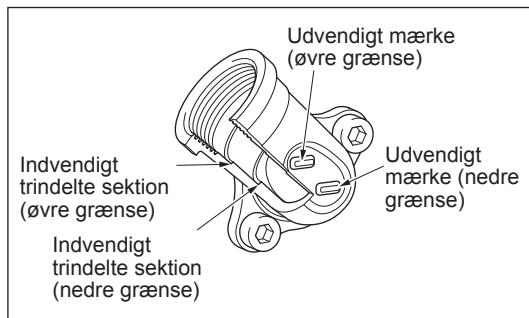


Alternativ aftapningsmetode

Tag oliedækslet af, tip den benzindrevne buskrydder mod oliepåfyldningshullet og tøm olien ud. Opsaml olien i en beholder.



- 5) Placer motoren vandret og påfyld gradvist ny olie op til mærket for den øvre grænse.
- 6) Efter påfyldning strammes oliedækslet til, så det ikke løsner sig og forårsager lækager. Hvis oliedækslet ikke strammes ordentligt til, kan det medføre lækage.



PUNKTER VEDRØRENDE OLIE

- Smid aldrig udskiftet motorolie ud sammen med almindeligt skrald, på jorden eller i kloakken. Bortskaffelse af olie er reguleret via loven. De relevante love og bestemmelser skal altid følges ved bortskaffelse af olie. Kontakt en godkendt serviceagent ved tvivlspørgsmål.
- Olien nedbrydes, selvom den ikke bruges. Udfør eftersyn og udskiftning med jævne intervaller (udskift med ny olie hver 6. måned).

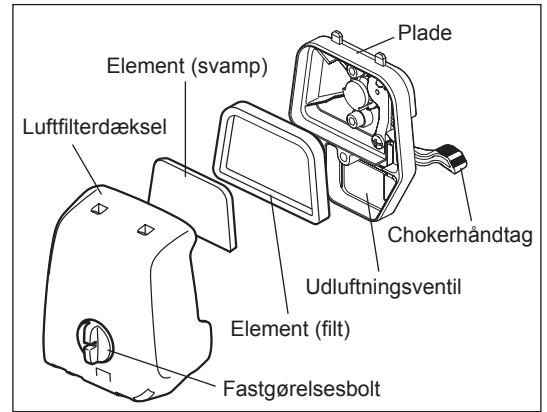
RENGØRING AF LUFTFILTER



FARE: BRÆNDBARE STOFFER ER STRENGT FORBUDT

Interval for rengøring og eftersyn: Dagligt (hver 10. driftstime)

- Drej chokerhåndtaget helt over til den lukkede side og hold karburatoren fri fra støv og snavs.
- Løsn fastgørelsesbolten.
- Tag luftfilterdækslet af ved at trække i dets underside.
- Tag elementerne af og bank dem let for at fjerne snavs.
- Hvis elementerne er meget beskidte:
Tag elementerne af, dyp dem ned i varmt vand eller et neutralt rengøringsmiddel fortyndet med vand, og tør dem fuldstændigt. Undgå at klemme eller gnide dem under vask.
- Sørg for, at elementerne er helt tørre, inden du sætter dem på igen. Utilstrækkelig tørring af elementerne kan gøre det svært at starte.
- Tør derefter olie, der sidder omkring luftfilterdækslet og udluftningsventilen af med en klud.
- Pas elementet (svampen) ind i elementet (filt).
Pas elementerne ind i pladen så svampen peger mod luftfilterdækslet.
- Monter straks luftfilterdækslet og spænd det fast med fastgørelsesbolte. (Ved genmonteringen placeres den øvre tap først og derefter den nedre tap.)



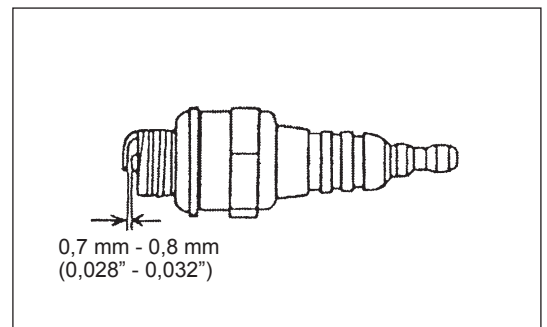
BEMÆRK:

- Rengør elementerne flere gange om dagen, hvis der sætter sig meget støv i det. Beskidte elementer reducerer motorkraften, og gør det sværere at starte motoren.
- Fjern olie på elementerne. Hvis maskinen fortsat anvendes, uden at elementerne rengøres for olie, kan olien i luftfilteret muligvis falde ud og resultere i forurening af miljøet.
- Placer ikke elementerne på jorden eller på et beskidt sted. Ellers kan de opsamle støv eller snavs, hvilket kan beskadige motoren.
- Brug aldrig brændstof til rengøring af elementerne. Brændstof kan beskadige dem.

KONTROL AF TÆNDRØRET

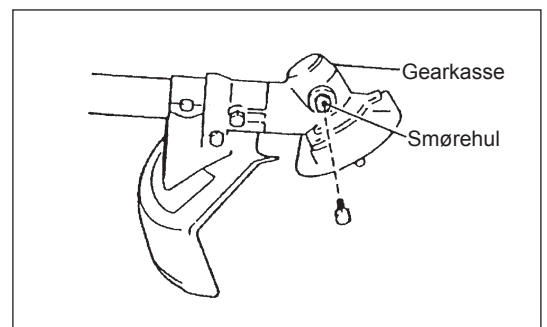
- Anvend kun den medfølgende skiftesnøgle til at afmontere og montere tændrøret med.
- Afstanden mellem tændrørets to elektroder bør være på 0,7 - 0,8 mm (0,028" - 0,032"). Hvis afstanden er for stor eller for lille, skal du justere den. Hvis tændrøret er sodet til eller beskidt, skal du rense det ordentligt og eller udskifte det.

FORSIGTIG: Rør aldrig ved tændrørshætten, mens motoren kører (der er risiko for elektrisk stød med høj spænding).



TILFØRING AF SMØREMIDDEL TIL GEARKASSEN

- Tilføj smøremiddel (Shell Alvania 2 eller tilsvarende) til gearkassen gennem smørehullet hver 30. time. (Ægte MAKITA-smøremiddel kan anskaffes fra din MAKITA-forhandler.)



RENGØRING AF BRÆNDSTOFFILTER

ADVARSEL: BRÆNDBARE STOFFER ER STRENGT FORBUDT

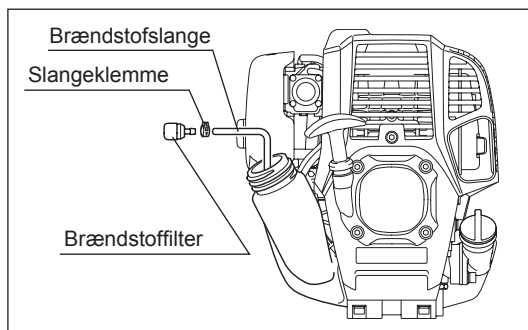
Interval for rengøring og eftersyn: Hver måned (hver 50. driftstime)

Sugehoved i brændstoftanken

Kontroller jævnligt brændstoffilteret. For at kontrollere brændstoffilteret skal du følge trinene nedenfor.

- (1) Tag tankdækslet af og tøm tanken for brændstof. Kontroller tanken indvendigt for fremmedlegemer. Fjern dem, hvis der er nogen.
- (2) Brug en trådkrog til at trække sugehovedet ud gennem tankåbningen.
- (3) Hvis brændstoffilteret er lettere tilstoppet, skal det rengøres. Rengør det ved at ryste det forsigtigt og banke det let i brændstof. For at undgå beskadigelse skal du ikke klemme eller gnide det. Det brændstof, der anvendes til rengøring, skal bortskaffes i henhold til den metode, som er anført i bestemmelserne for dit land.
Hvis brændstoffilteret bliver hårdt eller meget tilstoppet, skal det udskiftes.
- (4) Efter kontrol, rengøring eller udskiftning skal du trykke brændstoffilteret helt ned i bunden af brændstoftanken.

Et tilstoppet eller beskadiget brændstoffilter kan medføre utilstrækkelig brændstofforsyning og reducere motorkraften. Udskift brændstoffilteret mindst én gang i kvartalet for at sikre tilfredsstillende brændstofforførelse til karburatoren.



UDSKIFTNING AF BRÆNDSTOFSLANGE

FORSIGTIG: BRÆNDBARE STOFFER ER STRENGT FORBUDT

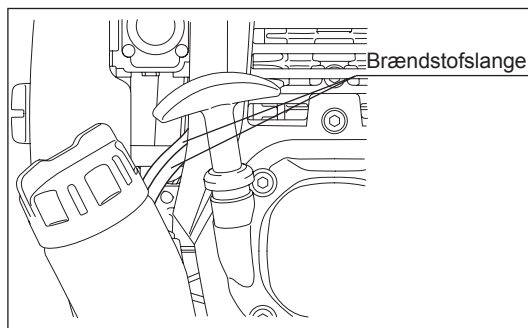
Interval for rengøring og eftersyn: Dagligt (hver 10. driftstime)

Udskiftning: Årligt (hver 200. driftstime)

Udskift brændstofslangen hvert år uanset antallet af driftstimer.

Brændstoflækage kan føre til brand.

Hvis der opdages utætheder under inspektion, skal brændstofslangen straks udskiftes.



EFTERSYN AF BOLTE, MØTRIKKER OG SKRUER

- Efterspænd løse bolte, møtrikker osv.
- Kontroller for brændstof- og olielækage.
- Udskift beskadigede dele med nye for sikker betjening.

RENGØRING AF DELE

- Hold altid motoren ren.
- Hold altid cylinderribberne fri for støv og snavs. Støv eller snavs der sidder fast på ribberne kan forårsage stempelstop.

UDSKIFTNING AF TÆTNINGER OG PAKNINGER

Når maskinen samles igen efter at have været adskilt, skal du sørge for at udskifte tætningerne og pakningerne med nye.

Alt vedligeholdelses- eller justeringsarbejde, der ikke er inkluderet og beskrevet i denne brugsanvisning, må kun udføres af autoriserede serviceagenter.

Udskiftning af nylonsnor

(For ultra auto 4)

Stop først motoren.

Tryk husets klemmekonstruktioner ind for at løfte dækslet af, og tag derefter spolen af.

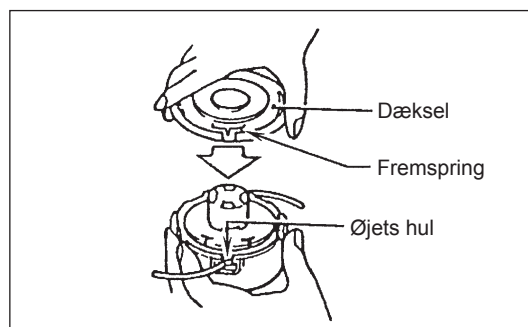
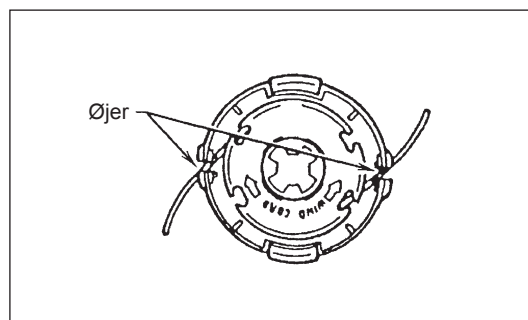
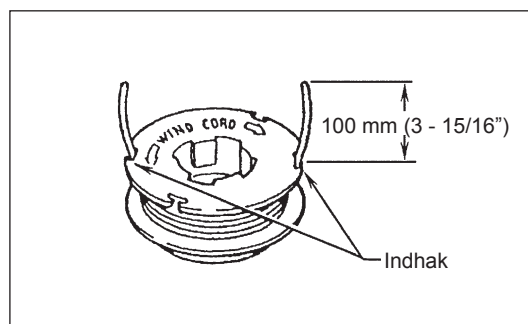
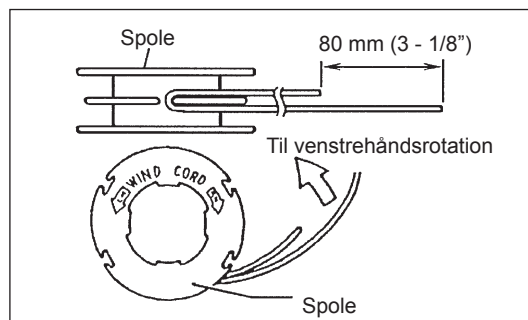
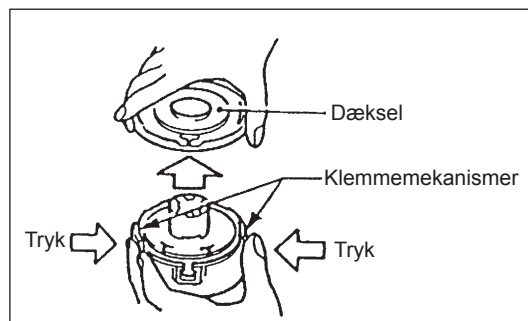
Hægt midten af den nye nylonsnor ind i indhaket på midten af spolen med den ene snor cirka 80 mm (3 - 1/8") længere end den anden.

Rul derefter begge ender stramt omkring spolen i hovedrotationens retning (venstrehåndsretning angivet med LH og højrehåndsretning angivet med RH på spolens side).

Rul snorene helt op på nær cirka 100 mm (3 - 15/16"), og lad midlertidigt enderne være hæftet gennem indhaket på siden af spolen.

Monter spolen i huset, sådan at rillerne og fremspringene på spolen matcher dem i huset. Sørg for, at siden på spolen med bogstaver er synlig ovenfra. Hægt derefter enderne på snoren af fra deres midlertidige placering og før snorene gennem øjerne, sådan at de kommer ud af huset.

Juster fremspringet på undersiden af dækslet med hullerne i øjerne.
Tryk derefter dækslet ordentligt ind på huset, sådan at det sidder fast.

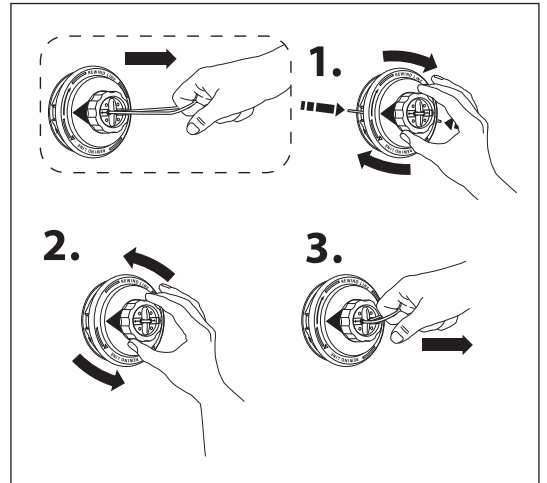


(For Proulx)

Stop først motoren.

Hold huset fast og drej spolen med uret indtil den resterende nylon snor trækkes ind i huset, og drej frem og tilbage for at mindske snorspændingen.

Grib fat i løkken oven på spolen og træk den fra spolen.



Klargør en nylon snor med de følgende specifikationer.

4,5 m længde

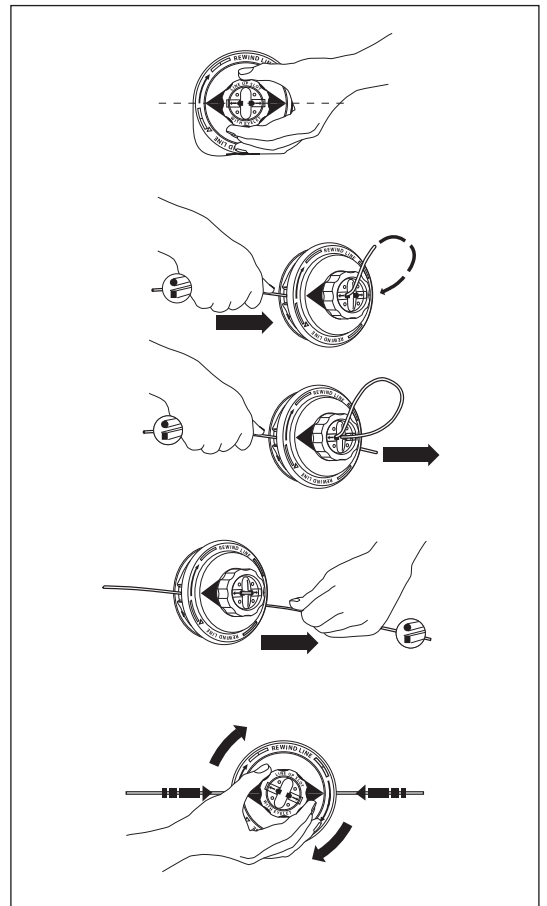
2,4 mm diameter rund snor eller 2,0 mm diagonal firkantet snor.

Ret pilene på spolen ind med øjerne på huset.

Sæt den ene ende af nylon snoren ind i øjet på siden af huset, før den gennem hullet oven på spolen, og sæt den derefter ind i det andet hul oven på spolen igen. Tryk nylon snoren ind i hullerne, indtil snoren er ført gennem øjerne på siden af huset.

Tryk nylon snoren ind i hullerne, så den føres gennem øjerne på siden af huset, indtil der opnås samme længde på begge sider.

Hold huset fast og drej spolen med uret for at vinkle nylon snoren ind spolen.



(For B&F4 / Z5)

ADVARSEL: Sørg for, at nylontrimmerhovedets dæksel er ordentligt fastgjort til huset som beskrevet nedenfor. Fastgøres dækslet ikke ordentligt, kan det medføre, at nylontrimmerhovedet flyver af med alvorlige personskader til følge.

Tryk ind på låsemekanismerne på huset og løft op for at fjerne dækslet.
Smid den resterende nylon snor ud.

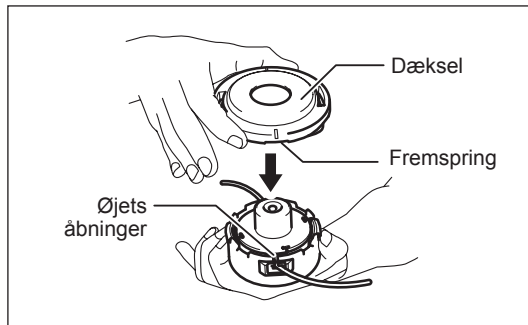
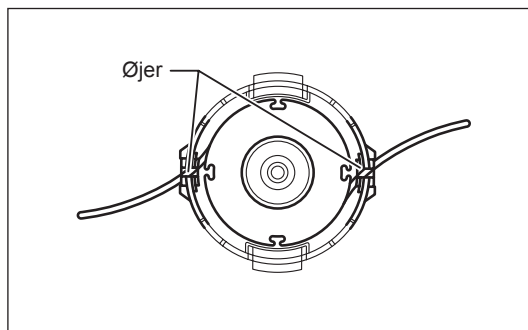
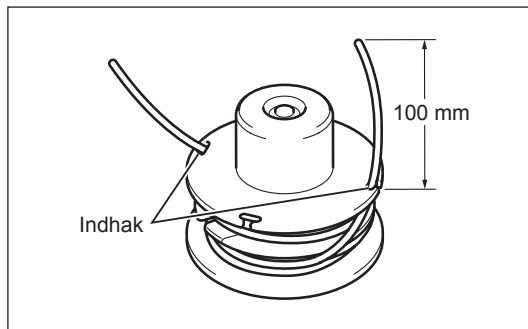
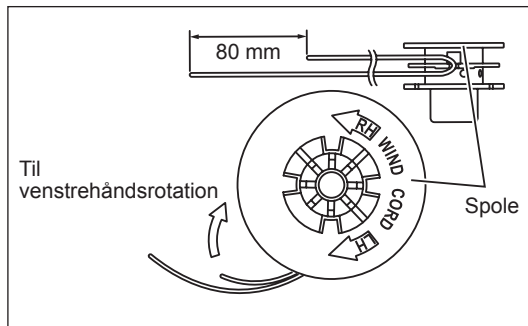
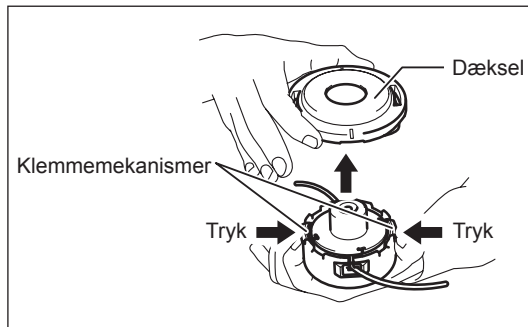
Hægt midten af den nye nylon snor på indhakkene i midten af spolen mellem de 2 kanaler til nylon snoren. Den ene side af snoren bør være cirka 80 mm længere end den anden side.

Vikl begge ender tæt omkring spolen i den retning på hovedet som er markeret for venstrehåndsrotation, angivet med LH.

Vikl snorene helt op på nær cirka 100 mm, og lad midlertidigt enderne være hæftet gennem indhakkene på siden af spolen.

Monter spolen i huset sådan at rillerne og fremspringene på spolen matcher dem i huset. Sørg for, at siden på spolen med bogstaver er synlig ovenfra. Hægt derefter enderne på snoren af fra deres midlertidige placering og før snorene gennem øjerne, sådan at de kommer ud af huset.

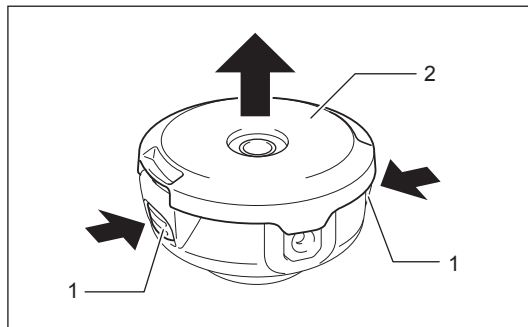
Ret fremspringet på undersiden af dækslet ind med øjernes åbninger. Tryk derefter dækslet ordentligt ind på huset, sådan at det sidder fast. Sørg for, at klemmemekanismerne hæfter dækslet ordentligt fast.



(For bank-fremføringstypen)

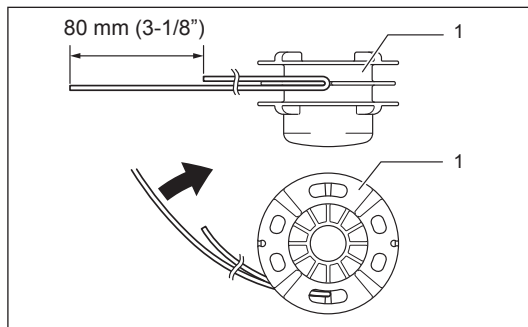
Stop først motoren.

Tryk husets klemmemekanismer (1) ind for at løfte dækslet (2) af, og tag derefter spolen af.

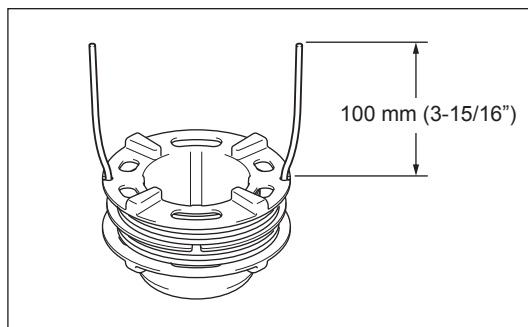


Hægt midten af den nye nylonstrøm fast i indhakkene på midten af spolen (1), med den ene strøm cirka 80 mm længere end den anden.

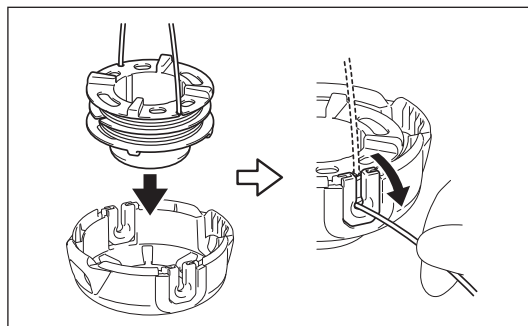
Rul derefter begge ender stramt omkring spolen i hovedrotationens retning (venstrehåndsretning angivet med LH på spolens side).



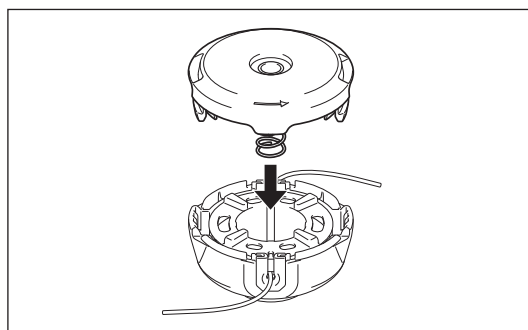
Rul snorene helt op på nær cirka 100 mm, og lad midlertidigt enderne være hæftet gennem indhakkene på siden af spolen.



Monter spolen i huset sådan at rillerne og fremspringene på spolen matcher med dem i huset. Sørg for, at siden på spolen med bogstaver er synlig ovenfra. Hægt derefter enderne på snoren af fra deres midlertidige placering og før snorene gennem øjerne, sådan at de kommer ud af huset.



Ret fremspringet på undersiden af dækslet ind med øjernes åbninger. Tryk derefter dækslet ordentligt ind på huset, sådan at det sidder fast.



OPBEVARING

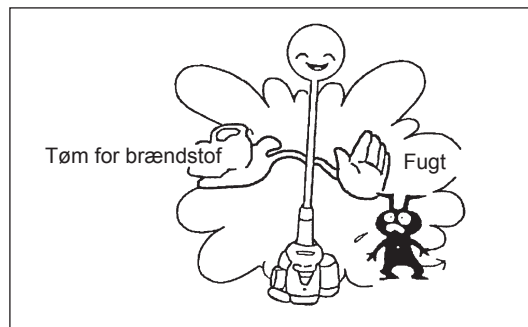


ADVARSEL: Når maskinen skal tømmes for brændstof, skal du sørge for at stoppe motoren og bekræfte, at motoren er kølet af.
Når motoren lige er stoppet, er den stadig varm, og der er risiko for forbrændinger, letantændelighed og brand.



BEMÆRK: Når maskinen ikke skal anvendes i længere tid, skal du tømme al brændstoffet ud af tanken og karburatoren, og opbevare den på et tørt og rent sted.

- Tøm brændstoftanken og karburatoren for brændstof i henhold til den følgende procedure:
 - 1) Tag tankdækslet af og tøm alt brændstoffet ud.
Hvis der er fremmedlegemer/snavs tilbage i brændstoftanken, skal det fjernes fuldstændigt.
 - 2) Træk brændstoffilteret ud gennem påfyldningsåbningen med en metaltråd.
 - 3) Tryk på tipperen indtil brændstoffet er tømt ud fra den, og udtøm derefter det brændstof der kom ind brændstoftanken.
 - 4) Placer filteret tilbage i brændstoftanken og stram tankdækslet ordentligt til.
 - 5) Lad derefter motoren køre indtil den stopper.
- Fjern tændrøret og dryp adskillige dråber motorolie ned gennem tændrørshullet.
- Træk forsigtigt i starterhåndtaget sådan at motorolien spredes ud i motoren, og sæt tændrøret på.
- Sæt afskærmningen på klingen.
- Maskinen bør generelt opbevares i vandret position, og hvis det ikke er muligt, så skal maskinen placeres, så motoren er under skæreværktøjet. Ellers kan der lække motorolie indefra. Vær meget opmærksom på opbevaringen af maskinen så den ikke vælter. Ellers kan det muligvis medføre personskader.
- Opbevar det udtømte brændstof i særlig beholder på et sted i skygge med god ventilation.



Bemærk efter lang tids opbevaring

- Inden start efter lang tids opbevaring skal du sørge for at udskifte olien (se S 215). Olien nedbrydes, mens maskinen ikke anvendes.

Lokalisering af fejl

Fejl	System	Observation	Årsag
Motoren starter ikke, eller har svært ved det	Tænding	Tændgnist OK	Fejl i brændstofføforslen eller kompressionssystemet, mekanisk fejl
		Ingen tændgnist	Betjening af STOP-kontakten, fejl i ledningsnettet eller kortslutning, tændrør eller tændrørshætte defekt, fejl i tændmodul
	Brændstofføforsel	Brændstoftank fuld	Forkert chokerposition, karburator defekt, brændstofslange bøjet eller blokeret, brændstof beskidt
Problemer ved varmstart	Kompression	Ingen kompression ved træk	Cylinderbundpakning defekt, beskadigede krumtapakselpakninger, cylinder eller stempelringe beskadigede eller tændrørspakning ikke tæt
	Mekanisk fejl	Starter griber ikke fat	Starterfjederen er i stykker, dele inde i motoren er i stykker
Motor starter, men dør	Brændstofføforsel	Fuld tank, med tændgnist	Snavset karburator, få den rensat
Manglende ydeevne		Brændstof i tanken	Forkert tomgangsjustering, karburator snavset Tankudluftningsventil defekt, brændstofslangen afbrudt, kabel eller STOP-kontakt defekt
	Der er muligvis flere systemer berørt samtidigt	Dårlig motortomgang	Luftfilter snavset, karburator snavset, lyddæmper tilstoppet, udstødningskanal i cylinderen tilstoppet

Del \ Driftstid		Inden brug	Efter smøring	Dagligt (10 t)	30 t	50 t	200 t	Sluk/pause	Se side
Motorolie	Efterse	○							210
	Udskift					○*1			215
Fastgørende dele (bolte, møtrikker)	Efterse	○							218
Brændstoftank	Rengør/ efterse	○							—
	Tøm for brændstof							○*3	223
Gashåndtag	Kontroller funktion		○						—
Stop-kontakt	Kontroller funktion		○						214
Klinge	Efterse	○		○					207
Omdrejninger ved lav hastighed	Efterse/juster			○					214
Luftfilter	Rengør			○					217
Tændrør	Efterse			○					217
Luftafkølingskanal	Rengør/ efterse			○					218
Brændstofslange	Efterse			○					218
	Udskift						◎*2		—
Gearkasseolie	Påfyld				○				217
Brændstoffilter	Rengør/udskift					○			218
Afstand mellem luftindtagsventilen og luftudledningsventilen	Juster						◎*2		—
Motoreftersyn							◎*2		—
Karburator	Tøm for brændstof							○*3	223

*1 Foretag første udskiftning efter 20 timers brug.

*2 Ved 200 driftstimers eftersyn, henvend dig til en godkendt serviceagent eller en maskinforretning.

*3 Efter tømning af brændstoftanken, fortsæt med at lade motoren køre og tøm karburatoren for brændstof.

FEJLFINDING

Kontroller selv for fejl, inden du anmoder om reparation. Hvis du finder noget unormalt, skal du kontrollere maskinen i henhold til beskrivelsen i denne brugsanvisning. Undlad at pille ved eller afmontere dele i strid med beskrivelsen. Kontakt en godkendt serviceagent eller lokal forhandler.

Problem	Sandsynlig årsag (funktionsfejl)	Afhjælpning
Motoren starter ikke	Tipperen er ikke blevet anvendt	Tryk 7 til 10 gange
	Langsom træk hastighed ved træk i startersnoren	Træk hårdt til
	Mangel på brændstof	Påfyld brændstof
	Tilstoppet brændstoffilter	Rengør
	Bøjet brændstofslange	Ret brændstofslangen ud
	Gammelt brændstof	Gammelt brændstof gør det svært at starte. Udskift med nyt. (Anbefalet udskiftning: 1 måned)
	For stort brændstofindtag	Sæt gashåndtaget fra medium hastighed til høj hastighed, og træk i starterhåndtaget, indtil motoren starter. Klingen begynder at rotere, så snart motoren starter. Vær meget opmærksom på klingen. Hvis motoren stadig ikke starter, fjern tændrørshætten, tør elektroden af, og saml dem igen. Start derefter som anvist.
	Aftaget tændrørshætte	Sæt den ordentligt på
	Snavset tændrør	Rengør
	Unormal tændrørsafstand	Juster afstanden
	Andre problemer med tændrør	Udskift
	Unormal karburator	Anmod om eftersyn og vedligeholdelse.
	Startersnor kan ikke trækkes ud	Anmod om eftersyn og vedligeholdelse.
	Unormalt drivsystem	Anmod om eftersyn og vedligeholdelse.
Motoren stopper hurtigt Motorhastigheden stiger ikke	Utilstrækkelig opvarmning	Foretag opvarmning
	Chokerhåndtaget er sat på "LUKKET"-positionen, selvom motoren er varmet op.	Sæt den til "ÅBEN"
	Tilstoppet brændstoffilter	Rengør eller udskift
	Snavset og tilstoppet luftfilter	Rengør
	Unormal karburator	Anmod om eftersyn og vedligeholdelse.
	Unormalt drivsystem	Anmod om eftersyn og vedligeholdelse.
Klingen roterer ikke ↓ Stop straks motoren	Klingens tilspændingsmøtrik er løsnet	Stram ordentligt til
	Der er fanget kviste i klingen eller skærmen.	Fjern fremmedlegemer
	Unormalt drivsystem	Anmod om eftersyn og vedligeholdelse.
Maskinen vibrerer unormalt ↓ Stop straks motoren	Brækket, bøjet eller udslidt klinge	Udskift klingen
	Klingens tilspændingsmøtrik er løsnet	Stram ordentligt til
	Konveks del af klinge og klingebeslag flyttet.	Sæt den ordentligt på
	Unormalt drivsystem	Anmod om eftersyn og vedligeholdelse.
Klingen stopper ikke med det samme ↓ Stop straks motoren	Høj tomgangsrotation	Juster
	Afbrudt gashåndtagsledning	Sæt den ordentligt på
	Unormalt drivsystem	Anmod om eftersyn og vedligeholdelse.
Motoren stopper ikke ↓ Kør motoren i tomgang og sæt chokerhåndtaget til CLOSE	Løsrevet kontakt	Sæt den ordentligt på
	Unormalt el-system	Anmod om eftersyn og vedligeholdelse.

Når motoren ikke starter efter foretagelse af opvarmning:

Hvis der ikke er fundet noget unormalt blandt de kontrollerede punkter, skal du åbne gashåndtaget cirka 1/3 og starte motoren.

Σας ευχαριστούμε πολύ που αγοράσατε αυτό το Βενζινοκίνητο Θαμνοκοπτικό της MAKITA. Βρισκόμαστε στην ευχάριστη θέση να σας συστήσουμε το Βενζινοκίνητο Θαμνοκοπτικό της MAKITA, το οποίο είναι το αποτέλεσμα ενός μακρού προγράμματος ανάπτυξης και πολλών χρόνων γνώσεων και εμπειρίας. Παρακαλώ διαβάστε αυτό το φυλλάδιο το οποίο αναφέρεται λεπτομερώς στα διάφορα σημεία που θα επιδείξουν την εξαιρετική του απόδοση. Αυτό θα σας βοηθήσει να αποκτήσετε τα καλύτερα δυνατά αποτελέσματα από το Βενζινοκίνητο Θαμνοκοπτικό της MAKITA.



Πίνακας περιεχομένων

Σελίδα

Συμβολα	226
Οδηγίες ασφαλείας	227
Τεχνικά δεδομένα	231
Καθορισμός εξαρτημάτων	233
Στερέωση του χερουλιού	234
Στερέωση του προφυλακτῆρα	235
Στερέωση της λαμᾶς κοπῆς ἢ της ναιλον κεφαλῆς κοπῆς	236
Πριν ἀπο το ξεκίνημα τῆς λειτουργίας	238
Σωστός χειρισμὸς τοῦ μηχανήματος	240
Σημειώσεις για τὸ χειρισμὸ και πὼς να γίνει τὸ σταματημὰ	241
Οδηγίες σερβίς	243
Αποθηκευση	251

ΣΥΜΒΟΛΑ

Χρειάζεται να προσέξετε τα παρακάτω σύμβολα όταν διαβάζετε το εγχειρίδιο οδηγιών.

	Διαβάστε το εγχειρίδιο οδηγιών και ακολουθήστε τις προειδοποιήσεις και τα μέτρα ασφαλείας!		Κρατήστε μακριά από την περιοχή εργασίας όλα τα άτομα και τα ζώα!
	Δώστε ιδιαίτερη φροντίδα και προσοχή!		Φοράτε κράνος και προστατευτικά για τα μάτια και τα αφτιά!
	Απαγορεύεται!		Ανώτερη επιτρεπτή ταχύτητα του εργαλείου
	Διατηρήστε μια απόσταση!		Καύσιμο (Βενζίνη)
	Κίνδυνος εκτίναξης αντικειμένων!		Κινητήρας-χειροκίνητη εκκίνηση
	Απαγορεύεται το κάπνισμα!		Στάση έκτακτης ανάγκης
	Όχι γυμνές φλόγες!		Πρώτες Βοήθειες
	Πρέπει να φοριούνται προστατευτικά γάντια!		ΕΝΕΡΓΟΠΟΙΗΣΗ/ΕΚΚΙΝΗΣΗ
	Φοράτε ανθεκτικές μπότες με αντιολισθητικές σόλες. Συνιστάνται μπότες ασφαλείας με ενίσχυση στα άκρα των δακτύλων!		ΑΠΕΝΕΡΓΟΠΟΙΗΣΗ/ΣΤΑΜΑΤΗΜΑ
	Οπισθολάκτισμα!		

Γενικές οδηγίες

- Διαβάστε αυτό το εγχειρίδιο οδηγιών για να εξοικειωθείτε με τον χειρισμό της συσκευής. Οι χρήστες οι οποίοι δεν διαθέτουν επαρκή ενημέρωση θα θέσουν σε κίνδυνο τους εαυτούς τους και τους άλλους λόγω του ακατάλληλου χειρισμού.
- Συνιστάται να δανείζετε τη συσκευή μόνο στα άτομα που έχουν αποδεδειγμένη εμπειρία στο χειρισμό της. Πάντοτε να παραδίδετε το εγχειρίδιο οδηγιών.
- Οι χρήστες που το χρησιμοποιούν για πρώτη φορά θα πρέπει να ζητούν από τον μεταπωλητή τις βασικές οδηγίες για να εξοικειωθούν με το χειρισμό θαμνοκοπτικών.
- Στα παιδιά και στα νεαρά άτομα κάτω των 18 ετών δεν θα πρέπει να τους επιτρέπεται η χρήση της συσκευής. Τα άτομα με ηλικία πάνω από 16 ετών θα μπορούσαν να χρησιμοποιήσουν την συσκευή για εκπαιδευτικούς σκοπούς, κάτω από την επίβλεψη ενός έμπειρου εκπαιδευτή.
- Χρησιμοποιήστε με τη μεγαλύτερη δυνατή φροντίδα και προσοχή.
- Χειριστείτε μόνο όταν βρίσκεστε σε καλή φυσική κατάσταση. Εκτελέστε όλες τις εργασίες με ηρεμία και προσοχή. Ο χρήστης θεωρείται υπεύθυνος για τους άλλους.
- Ποτέ να μην χρησιμοποιήσετε αυτή τη συσκευή μετά από την κατανάλωση αλκοόλ ή φαρμάκων, ή εάν αισθάνεστε κουρασμένοι ή είστε ασθενείς.
- Η εθνική νομοθεσία μπορεί να περιορίζει τη χρήση του μηχανήματος.

Προοριζόμενη χρήση του μηχανήματος

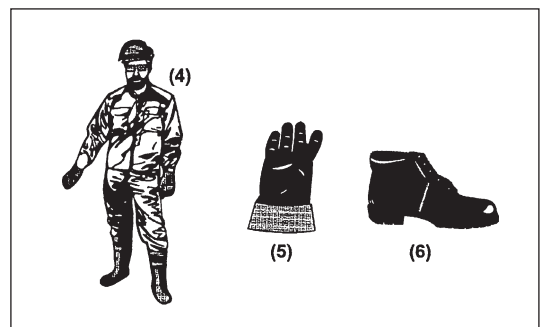
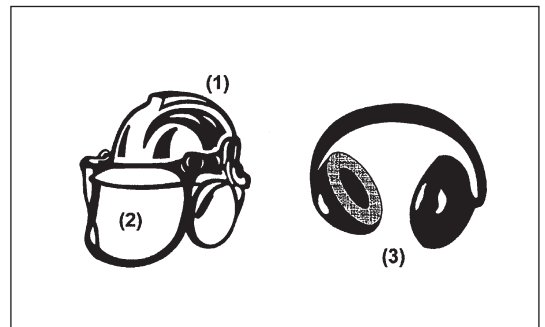
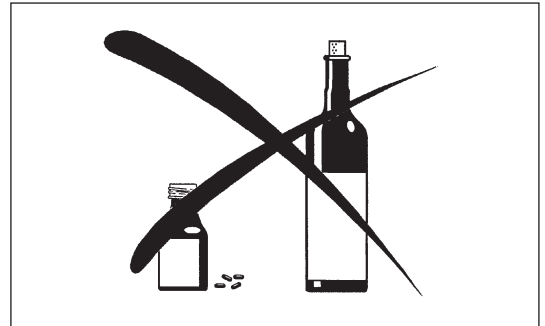
- Η συσκευή αυτή προορίζεται μόνο για την κοπή γρασιδιού, χόρτων, θάμνων και ελαφριάς βλάστησης. Δεν πρέπει να χρησιμοποιηθεί για άλλους σκοπούς όπως κοπή άκρων ή φρακτών επειδή μπορεί να προκαλέσει τραυματισμό.

Προσωπικός προστατευτικός εξοπλισμός

- Ο ρουχισμός που φοράτε θα πρέπει να είναι λειτουργικός και κατάλληλος, δηλαδή να είναι εφαρμοστός αλλά να μην σας παρεμποδίζει. Μην φοράτε κοσμήματα ή ρούχα τα οποία μπορούν να μπλεχτούν μέσα στους θάμνους ή στους βάλτους.
- Για την προστασία του τραυματισμού της κεφαλής, των ματιών ή των ποδιών καθώς επίσης και την προστασία της ακοής κατά την λειτουργία, θα πρέπει να χρησιμοποιηθεί ο παρακάτω προστατευτικός εξοπλισμός και ο προστατευτικός ρουχισμός κατά τον χειρισμό της συσκευής.
- Πάντοτε να φοράτε κράνος όπου υπάρχει ο κίνδυνος της πτώσης αντικειμένων. Το κράνος (1) θα πρέπει να ελέγχεται για την ύπαρξη ζημιών κατά τακτικά χρονικά διαστήματα και θα πρέπει να αντικατασταθεί τουλάχιστον μετά από 5 χρόνια. Χρησιμοποιείτε μόνο εγκεκριμένα προστατευτικά κράνη.
- Η προσωπίδα (2) του κράνου (ή εναλλακτικά προστατευτικά γυαλιά) προστατεύει το πρόσωπο από τα θραύσματα και τις πέτρες που ίπτανται. Κατά τον χειρισμό, πάντοτε να φοράτε προστατευτικά γυαλιά ή προσωπίδα για την αποφυγή του τραυματισμού των ματιών.
- Φοράτε τον απαραίτητο εξοπλισμό προστασίας έναντι στο θόρυβο για την αποφυγή πρόκλησης βλάβης στην ακοή (προστατευτικά επικαλύμματα αυτιών (3), ωτοασπίδες κτλ.).
- Η φόρμα εργασίας (4) προστατεύει από τις πέτρες και τα θραύσματα που ίπτανται. Σας συστήνουμε ανεπιφύλακτα την χρήση της φόρμας εργασίας από το χρήστη.
- Τα γάντια (5) αποτελούν μέρος του συνιστώμενου εξοπλισμού και πρέπει πάντοτε να φοριούνται κατά το χειρισμό.
- Κατά τη χρήση της συσκευής, πάντοτε να φοράτε ανθεκτικά παπούτσια (6) με αντιολισθητικές σόλες. Αυτά προστατεύουν έναντι των τραυματισμών και διασφαλίζουν το καλό πάτημα.

Εκκίνηση του θαμνοκοπτικού

- Φροντίστε ώστε να μην υπάρχουν παιδιά ή άλλα άτομα μέσα σε μια απόσταση εργασίας 15 μέτρων (50 ποδιών), επίσης δώστε προσοχή στα οποιαδήποτε ζώα μέσα στην περιοχή εργασίας.
- Πριν από τη χρήση ελέγχετε πάντοτε ότι η συσκευή είναι ασφαλής για εργασία: Ελέγξτε την ασφάλεια του κοπτικού εργαλείου, το μοχλό του γκαζιού για την ευκολία δράσης και ελέγξτε την κατάλληλη λειτουργικότητα της ασφάλειας του μοχλού του γκαζιού.
- Το κοπτικό εργαλείο δεν πρέπει να περιστρέφεται στο ρελαντί. Εάν έχετε αμφιβολία απευθυνθείτε στον μεταπωλητή σας για τη ρύθμιση. Ελέγξτε τα χερούλια ώστε να είναι καθαρά και ξηρά και δοκιμάστε τη λειτουργία του διακόπτη εκκίνησης/σταματήματος.

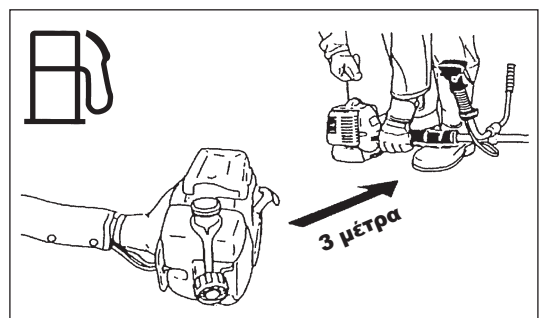
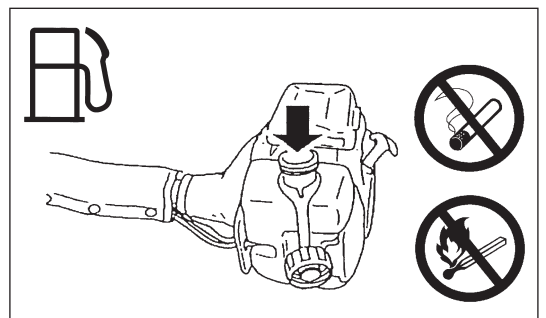
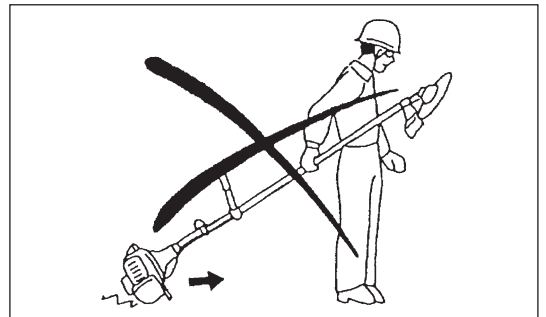
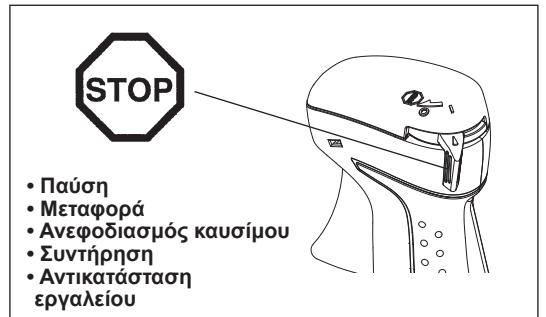
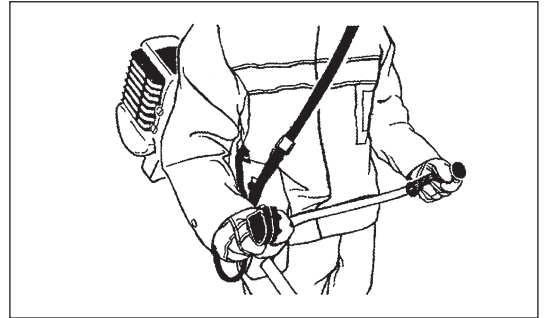
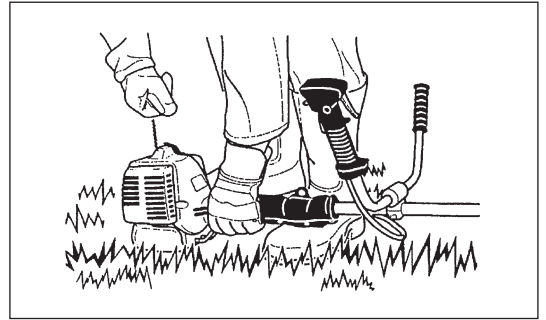


Ξεκινήστε το θαμνοκοπτικό μόνο σύμφωνα με τις οδηγίες.

- Μην χρησιμοποιήσετε οποιοσδήποτε άλλες μεθόδους για να ξεκινήσετε τον κινητήρα!
- Χρησιμοποιήστε το θαμνοκοπτικό και τα εργαλεία μόνο για τις καθορισμένες εφαρμογές.
- Ξεκινήστε τον κινητήρα μόνο αφότου ολοκληρωθεί πλήρως η συναρμολόγηση. Η λειτουργία της συσκευής επιτρέπεται μόνο αφότου συνδεθούν όλα τα κατάλληλα εξαρτήματα!
- Πριν το ξεκίνημα, βεβαιωθείτε ότι το κοπτικό εργαλείο δεν βρίσκεται σε επαφή με σκληρά αντικείμενα όπως κλαδιά, πέτρες κτλ επειδή το κοπτικό εργαλείο θα περιστραφεί κατά την εκκίνηση.
- Ο κινητήρας σβήνει αμέσως στην περίπτωση που συμβούν μηχανικά προβλήματα.
- Εάν το κοπτικό εργαλείο χτυπήσει πέτρες ή άλλα σκληρά αντικείμενα, αμέσως κλείστε τον κινητήρα και επιθεωρήστε το κοπτικό εργαλείο.
- Επιθεωρείτε το κοπτικό εργαλείο για ζημιά ανά τακτά και σύντομα διαστήματα (διάγνωση λεπτών ρωγμών χρησιμοποιώντας το τεστ ήχου που παράγεται από την κρούση).
- Εάν η συσκευή χτυπήσει δυνατά κατά την πτώση, ελέγξτε την κατάσταση πριν συνεχίσετε την εργασία. Ελέγξτε το σύστημα καυσίμου για ύπαρξη διαρροής καυσίμου αλλά και τα χειριστήρια και τις διατάξεις ασφαλείας για ύπαρξη δυσλειτουργίας. Εάν υπάρχει οποιαδήποτε ζημιά ή αν έχετε αμφιβολίες, επικοινωνήστε με το δικό μας εξουσιοδοτημένο κέντρο εξυπηρέτησης για επιθεώρηση και επισκευή.
- Να χειρίζεστε τη συσκευή μόνο έχοντας συνδεδεμένο τον ιμάντα ώμου, ο οποίος θα πρέπει να προσαρμόζεται κατάλληλα πριν θέσετε σε λειτουργία το θαμνοκοπτικό. Είναι σημαντικό να προσαρμόσετε τον ιμάντα ώμου ανάλογα με το σωματικό μέγεθος του χρήστη για να μην είναι κουραστική η χρήση. Ποτέ να μην κρατάτε τον κόφτη με το ένα χέρι κατά την χρήση.
- Κατά την χρήση, πάντοτε να κρατάτε το θαμνοκοπτικό με τα δυο σας χέρια. Πάντοτε να έχετε ένα ασφαλές πάτημα.
- Να χειρίζεστε τη συσκευή με τέτοιο τρόπο ώστε να αποφεύγετε την εισπνοή των καυσαερίων. Ποτέ να μην λειτουργήσετε τον κινητήρα σε κλειστά δωμάτια (υπάρχει κίνδυνος δηλητηρίασης από αέρια). Το μονοξείδιο του άνθρακα είναι ένα άσπρο αέριο.
- Σβήνετε τον κινητήρα όταν σταματάτε κατά την ανάπαυση και όταν παραμένει η συσκευή χωρίς επίβλεψη, και τοποθετήστε τη σε ένα ασφαλές χώρο για την αποφυγή πρόκλησης κινδύνου σε άλλους ή ζημιάς στο μηχανήμα.
- Ποτέ να μην τοποθετείτε το θαμνοκοπτικό όταν είναι ζεστό πάνω σε ξερά χόρτα ή πάνω σε άλλα εύφλεκτα υλικά.
- Πάντοτε να εγκαθιστάτε τον εγκεκριμένο προφυλακτήρα του κοπτικού εργαλείου πάνω στη συσκευή πριν την εκκίνηση του κινητήρα. Διαφορετικά η επαφή με το κοπτικό εργαλείο μπορεί να προκαλέσει σοβαρό τραυματισμό.
- Όλα τα προστατευτικά συγκροτήματα και προφυλακτήρες που παρέχονται με το μηχανήμα πρέπει να χρησιμοποιούνται κατά τη λειτουργία.
- Ποτέ να μην χειρίζεστε τον κινητήρα με ένα σιγαστήρα της εξάτμισης που έχει πάθει ζημιά.
- Κλείστε τον κινητήρα κατά την μεταφορά.
- Κατά την μεταφορά της συσκευής, πάντοτε να τοποθετείτε το κάλυμμα στη κοπτική λάμα.
- Διασφαλίστε την ασφαλή τοποθέτηση της συσκευής κατά την μεταφορά με αυτοκίνητο για την αποφυγή της διαρροής καυσίμου.
- Κατά την μεταφορά, διασφαλίστε ότι το ρεζερβουάρ καυσίμου είναι εντελώς άδειο.
- Κατά την εκφόρτιση της συσκευής από την καρότσα, ποτέ να μην ρίξετε κάτω τον κινητήρα στο έδαφος επειδή αν το κάνετε αυτό μπορεί να προκληθεί σοβαρή βλάβη στο ρεζερβουάρ καυσίμου.
- Εκτός από την περίπτωση της έκτακτης ανάγκης, ποτέ να μην ρίξετε ή να πετάξετε τη συσκευή στο έδαφος επειδή αν το κάνετε αυτό μπορεί να προκληθεί σοβαρή ζημιά στη συσκευή.
- Θυμηθείτε να σηκώνετε ολόκληρο τον κινητήρα από το έδαφος όταν μετακινείτε τη συσκευή. Το σύστημα του ρεζερβουάρ καυσίμου είναι πολύ επικίνδυνο και θα προκαλέσει ζημιά και διαρροή καυσίμου, προκαλώντας πιθανόν την πυρκαγιά.

Ανεφοδιασμός

- Κατά τον ανεφοδιασμό καυσίμου σβήστε τον κινητήρα, να είστε μακριά από τις γυμνές φλόγες και να μην καπνίζετε.
- Αποφύγετε την επαφή του δέρματος με προϊόντα ορυκτών λαδιών. Μην εισπνέετε τον ατμό του καυσίμου. Πάντοτε να φοράτε προστατευτικά γάντια κατά τον ανεφοδιασμό καυσίμου. Αλλάζετε και καθαρίζετε τον προστατευτικό ρουχισμό σε τακτικά διαστήματα.
- Δώστε προσοχή ώστε να μην ρίξετε κάτω καύσιμο ή λάδια για την αποφυγή της ρύπανσης του εδάφους (προστασία του περιβάλλοντος). Καθαρίστε το θαμνοκοπτικό αμέσως αν πέσει πάνω του καύσιμο.
- Αποφύγετε την οποιαδήποτε επαφή του καυσίμου με τα ρούχα σας. Αλλάξτε το ρουχισμό σας αμέσως μετά την πτώση του καυσίμου επάνω του (για την αποφυγή της πρόκλησης φωτιάς στα ρούχα σας).
- Επιθεωρείστε την τάπα του καυσίμου ανά τακτά διαστήματα για να διασφαλίσετε ότι μπορεί να στερεωθεί σταθερά και ότι δεν παρουσιάζει διαρροή.
- Προσεκτικά σφίξτε την τάπα του ρεζερβουάρ καυσίμου. Αλλάξτε θέση για την εκκίνηση του κινητήρα (τουλάχιστον 3 μέτρα μακριά από τον χώρο του ανεφοδιασμού).
- Ποτέ να μην ανεφοδιάζετε σε κλειστά δωμάτια. Οι ατμοί του καυσίμου συσσωρεύονται στο επίπεδο του εδάφους (κίνδυνος εκρήξεων).
- Να μεταφέρετε και να αποθηκεύετε το καύσιμο σε κατάλληλα δοχεία. Φροντίστε ώστε το αποθηκευμένο καύσιμο να μην είναι προσβάσιμο στα παιδιά.



Μέθοδος Λειτουργίας

- Χρησιμοποιήστε μόνο κάτω από καλό φωτισμό και ορατότητα. Κατά τη διάρκεια της εποχής του χειμώνα δώστε προσοχή στις περιοχές που είναι υγρές και γλιστρούν, στον πάγο και στο χιόνι (κίνδυνος ολισθηρότητας). Πάντοτε να έχετε ένα ασφαλές πάτημα.
- Ποτέ μην κόβετε επάνω από το ύψος της μέσης σας.
- Ποτέ να μην στέκεστε πάνω σε μια σκάλα.
- Ποτέ να μην σκαρφαλώνετε σε δέντρα για να εκτελέσετε εργασίες κοπής.
- Ποτέ να μην εργάζεστε πάνω σε ασταθείς επιφάνειες.
- Αφαιρέστε την άμμο, τις πέτρες, τα καρφιά κτλ που βρίσκονται μέσα στο εύρος της περιοχής εργασίας. Τα ξένα στοιχεία μπορεί να προκαλέσουν ζημιά στο κοπτικό εργαλείο και να δημιουργήσουν επικίνδυνα οπισθολακτίσματα.
- Πριν το ξεκίνημα της κοπής, το κοπτικό εργαλείο θα πρέπει να έχει αποκτήσει την πλήρη ταχύτητα λειτουργίας.
- Κατά τη χρήση μεταλλικών λαμών, ταλαντεύστε ομοιόμορφα το εργαλείο κάνοντας μισό κύκλο από δεξιά προς τα αριστερά, σαν να χρησιμοποιείτε ένα δρεπάνι. Αν γρασιδί ή κλαδιά μπλεχτούν μεταξύ του κοπτικού εργαλείου και του προφυλακτήρα, να σταματάτε πάντοτε τον κινητήρα πριν από τον καθαρισμό. Διαφορετικά η ακούσια περιστροφή της λάμας μπορεί να προκαλέσει σοβαρό τραυματισμό.
- Ξεκουραστείτε για να μην χάσετε τον έλεγχο λόγω κόυρασης. Σας συνιστούμε να κάνετε 10 έως 20 λεπτά διάλειμμα κάθε ώρα.

Κοπτικά εργαλεία

- Χρησιμοποιήστε ένα κατάλληλο κοπτικό εργαλείο για την εργασία που πρόκειται να κάνετε. Οι νάιλον κοπτικές κεφαλές (κεφαλές κοπής μεσινέζας) είναι κατάλληλες για το κόψιμο γρασιδιού. Οι μεταλλικές λάμες είναι κατάλληλες για την κοπή χόρτων, υψηλού γρασιδιού, θάμνων, δενδρολλιών, χαμηλής βλάστησης, συστάδων φυτών, και των παρομοίων. Ποτέ να μην χρησιμοποιήσετε άλλες λάμες συμπεριλαμβανομένων των μεταλλικών περιστροφικών αλυσίδων πολλαπλών τμημάτων και των αλωνιστικών λαμών. Διαφορετικά μπορεί να προκληθεί σοβαρός τραυματισμός.
- Κατά τη χρήση μεταλλικών λεπίδων, αποφύγετε το "οπισθολακτίσμα" και να είστε πάντοτε προετοιμασμένοι για ένα αναπάντεχο οπισθολακτίσμα. Δείτε την ενότητα "Οπισθολακτίσμα" και "Αποφυγή οπισθολακτίσματος."

Οπισθολακτίσμα (κλώτσημα λάμας)

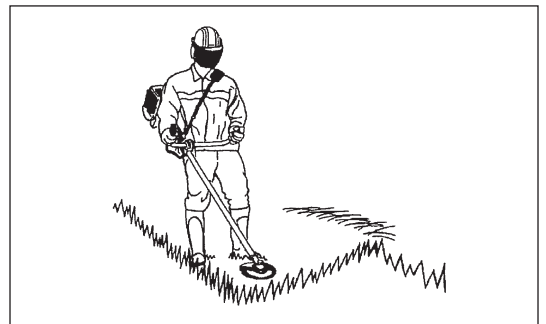
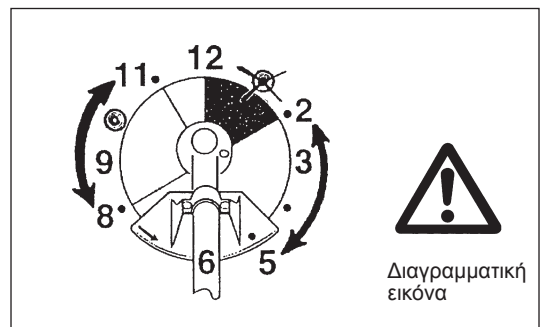
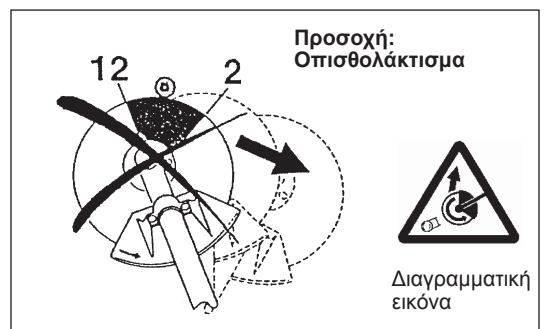
- Το οπισθολακτίσμα (κλώτσημα λάμας) είναι μια απότομη αντίδραση σε μια σφιγμένη ή κολλημένη κοπτική λάμα. Μόλις συμβεί αυτό, η συσκευή ρίχνεται στα πλάγια ή προς τον χειριστή σε μεγάλη δύναμη και μπορεί να προκαλέσει σοβαρό τραυματισμό.
- Το οπισθολακτίσμα εμφανίζεται ιδιαίτερα κατά την χρήση του τμήματος της λάμας των 12 και 2 "ωρών" πάνω σε στερεά, θάμνους και δέντρα με διάμετρο 3 cm ή μεγαλύτερη.
- Για την αποφυγή οπισθολακτίσματος:
 - Χρησιμοποιήστε το τμήμα μεταξύ των 8 και 11 "ωρών".
 - Ποτέ μην χρησιμοποιήσετε το τμήμα μεταξύ των 12 και 2 "ωρών".
 - Ποτέ μην χρησιμοποιείται το τμήμα μεταξύ των 11 και 12 "ωρών" και το τμήμα μεταξύ των 2 και 5 "ωρών", εκτός και αν ο χειριστής είναι καλά εκπαιδευμένος και έμπειρος και το κάνει με δική του ευθύνη.
 - Ποτέ να μην χρησιμοποιήσετε κοπτικές λάμες κοντά σε συμπαγή αντικείμενα όπως φράχτες, τοίχους, κορμούς δέντρων και πέτρες.
 - Ποτέ να μην χρησιμοποιείτε τις κοπτικές λάμες κάθετα, για εργασίες όπως το κλάδεμα και την κοπή των άκρων των φρακτών.

Δόνηση

- Τα άτομα με κακό κυκλοφορικό σύστημα τα οποία εκτίθενται σε υπερβολικούς κραδασμούς μπορεί να παρουσιάσουν βλάβη στα αιμοφόρα αγγεία ή στο νευρικό σύστημα. Οι κραδασμοί ενδέχεται να προκαλέσουν τα ακόλουθα συμπτώματα στα δάχτυλα, τα χέρια ή τους καρπούς: "Κοίμισμα" (μούδιασμα), μυρμηγκιασμα, πόνο, σουβλιές, αλλαγή χρώματος ή υφής του δέρματος. Εάν έχετε οποιαδήποτε από αυτά τα συμπτώματα, επισκεφτείτε ένα γιατρό!
- Για την ελάττωση του κινδύνου της "ασθένειας των άσπρων δακτύλων", διατηρήστε τα χέρια σας ζεστά κατά την λειτουργία και διατηρήστε σε καλή κατάσταση τη συσκευή και τα εξαρτήματα.

Οδηγίες συντήρησης

- Επισκευάζετε τη συσκευή σας στο δικό μας εξουσιοδοτημένο κέντρο σέρβις, χρησιμοποιώντας πάντοτε αυθεντικά ανταλλακτικά. Η λανθασμένη επισκευή και η φτωχή συντήρηση μπορεί να μειώσει την διάρκεια της ωφέλιμης ζωής της συσκευής και να αυξήσει τον κίνδυνο ατυχημάτων.
- Η κατάσταση του κόφτη, ιδιαίτερα του κοπτικού εργαλείου, των προστατευτικών συσκευών και επίσης του ιμάντα του ώμου θα πρέπει να ελέγχεται πριν από την έναρξη της εργασίας. Ιδιαίτερη προσοχή πρέπει επίσης να δίνεται στις κοπτικές λάμες οι οποίες πρέπει να είναι σωστά ακονισμένες.
- Κλείστε τον κινητήρα και αφαιρέστε το σύνδεσμο του μπουζί κατά την αντικατάσταση ή το ακόνισμα των κοπτικών εργαλείων και επίσης κατά τον καθαρισμό του κόφτη ή του κοπτικού εργαλείου.



Ποτέ να μην ισιώνετε ή να συγκολλάτε κατεστραμμένα κοπτικά εργαλεία.

- Δώστε προσοχή στο περιβάλλον. Αποφύγετε την άσκοπη λειτουργία του γκαζιού για λιγότερη ρύπανση και εκπομπές θορύβου. Ρυθμίστε το καρμπουράτέρ σωστά.
- Καθαρίζετε τη συσκευή ανά τακτά διαστήματα και ελέγχετε ότι όλες οι βίδες και τα παξιμάδια είναι καλά σφιγμένα.
- Ποτέ να μην κάνετε τη συντήρηση ή την αποθήκευση της συσκευής κοντά σε γυμνές φλόγες.
- Πάντοτε να αποθηκεύετε τη συσκευή σε κλειδωμένα δωμάτια με άδειο το ρεζερβουάρ καυσίμου.
- Κατά την μεταφορά, τη συντήρηση και την αποθήκευση της συσκευής, πάντοτε να τοποθετείτε το κάλυμμα στην κοπτική λάμα.



Τηρήστε τις σχετικές οδηγίες αποτροπής ατυχήματος που εκδίδονται από τις σχετικές εμπορικές ενώσεις και από τις ασφαλιστικές εταιρίες. Μην εκτελέσετε καμιά τροποποίηση στη συσκευή επειδή αυτό θα θέσει σε κίνδυνο την ασφάλειά σας.

Η εκτέλεση των εργασιών συντήρησης και επισκευής από το χρήστη περιορίζονται στις δραστηριότητες που περιγράφονται στο εγχειρίδιο οδηγιών. Όλες οι άλλες εργασίες πρέπει να γίνονται από ένα εξουσιοδοτημένο αντιπρόσωπο του σέρβις. Χρησιμοποιήστε μόνο τα αυθεντικά ανταλλακτικά και αξεσουάρ που διατίθενται και παρέχονται από τη MAKITA.

Η χρήση μη εγκεκριμένων εξαρτημάτων και εργαλείων συνεπάγεται τον αυξημένο κίνδυνο ατυχημάτων.

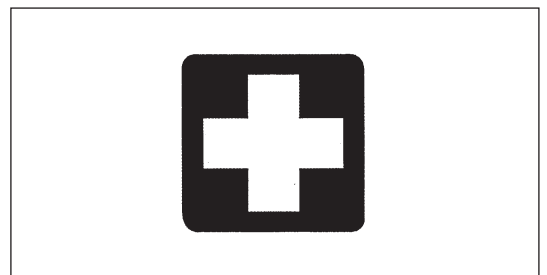
Η MAKITA δεν θα δεχθεί την οποιαδήποτε ευθύνη για ατυχήματα ή φθορά που προκλήθηκε από τη χρήση μη εγκεκριμένων κοπτικών εργαλείων και συσκευών στερέωσης των κοπτικών εργαλείων ή αξεσουάρ.

Πρώτες βοήθειες

Για την περίπτωση ατυχήματος, φροντίστε να υπάρχει διαθέσιμο ένα κουτί πρώτων βοηθειών στην περιοχή όπου εκτελούνται οι εργασίες κοπής. Αντικαταστήστε αμέσως το οποιοδήποτε αντικείμενο που πάρθηκε από το κουτί των πρώτων βοηθειών.

Όταν ζητάτε βοήθεια, παρακαλώ παράσχετε τις ακόλουθες πληροφορίες:

- Τόπος του ατυχήματος
- Τι συνέβη
- Αριθμός τραυματισμένων ατόμων
- Είδος των τραυμάτων
- Το όνομά σας



Για τις ευρωπαϊκές χώρες μόνο

EK – Δήλωση συμμόρφωσης

Η δήλωση συμμόρφωσης EK περιλαμβάνεται ως παράρτημα Α σε αυτό το εγχειρίδιο οδηγιών.

ΤΕΧΝΙΚΑ ΔΕΔΟΜΕΝΑ

Μοντέλο		EM2650UH	EM2650UHN	EM2650LH	EM2650LHN	
Τύπος χερουλιού		Χερούλι ποδηλάτου		Λαβή σε σχήμα βρόγχου		
Διαστάσεις: μήκος x πλάτος x ύψος (χωρίς το εργαλείο κοπής)		χιλ 1.765 x 620 x 474		1.765 x 330 x 264		
Βάρος (χωρίς το πλαστικό προφυλακτήρα και το εργαλείο κοπής)		κιλά 5,6		5,3		
Όγκος (ρεζερβουάρ καυσίμου)		Λίτρα 0,6				
Όγκος (ρεζερβουάρ λαδιού)		Λίτρα 0,08				
Εκτόπισμα κινητήρα		εκ. ³ 25,4				
Μέγιστη απόδοση κινητήρα		kw 0,77 στις 7.000 min ⁻¹				
Ταχύτητα κινητήρα στη συνιστώμενη μέγιστη ταχύτητα του άξονα		λεπτό ⁻¹ 10.000				
Μέγιστη ταχύτητα άξονα (αντίστοιχη)		λεπτό ⁻¹ 7.400				
Ταχύτητα ρελαντί		λεπτό ⁻¹ 3.000				
Ταχύτητα εμπλοκής συμπλέκτη		λεπτό ⁻¹ 3.900				
Καρμπιρατέρ		Τύπου διαφράγματος				
Σύστημα ανάφλεξης		Χωρίς επαφή, μαγνητικού τύπου				
Μπουζί		τύπος NGK CMR4A				
Απόσταση των άκρων των ηλεκτροδίων		χιλ 0,7 - 0,8				
Δόνηση σύμφωνα με το ISO 22867	Δεξιό χερούλι (Πίσω λαβή)	$a_{inv\ eq}$	m/s ² 3,4	—	6,5	5,0
		Αβεβαιότητα K	m/s ² 0,6	—	2,3	1,3
	Αριστερό χερούλι (Μπροστινή λαβή)	$a_{inv\ eq}$	m/s ² 4,5	—	6,7	6,4
		Αβεβαιότητα K	m/s ² 0,6	—	1,9	1,4
Στάθμη ηχητικής πίεσης αντιπροσωπευτική του ISO 22868	$L_{PA\ eq}$	dBA 96,6	—	96,6	91,6	
	Αβεβαιότητα K	dBA 0,9	—	0,9	3,1	
Στάθμη ηχητικής ισχύος αντιπροσωπευτική του ISO 22868	$L_{WA\ eq}$	dBA 105,5	—	105,5	101,6	
	Αβεβαιότητα K	dBA 1,3	—	1,3	2,0	
Καύσιμο		Βενζίνη αυτοκινήτου				
Λάδι Κινητήρα		Λάδι κατηγορίας API κλάσης SF ή υψηλότερης ή λάδι 10W-30 του SAE (λάδι 4-χρονου κινητήρα για αυτοκίνητα)				
Εργαλεία κοπής (διάμετρος λάμας κοπής)		χιλ 230				
Σχέση μετάδοσης		14/19				

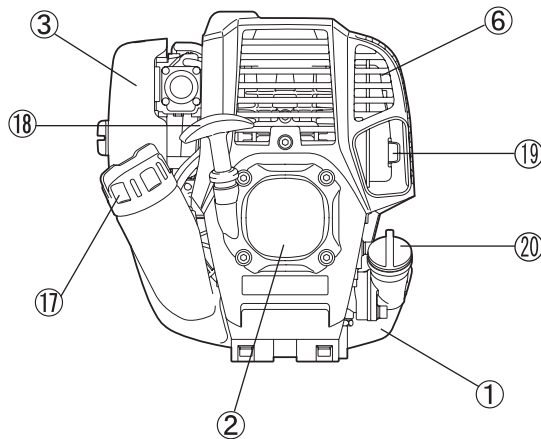
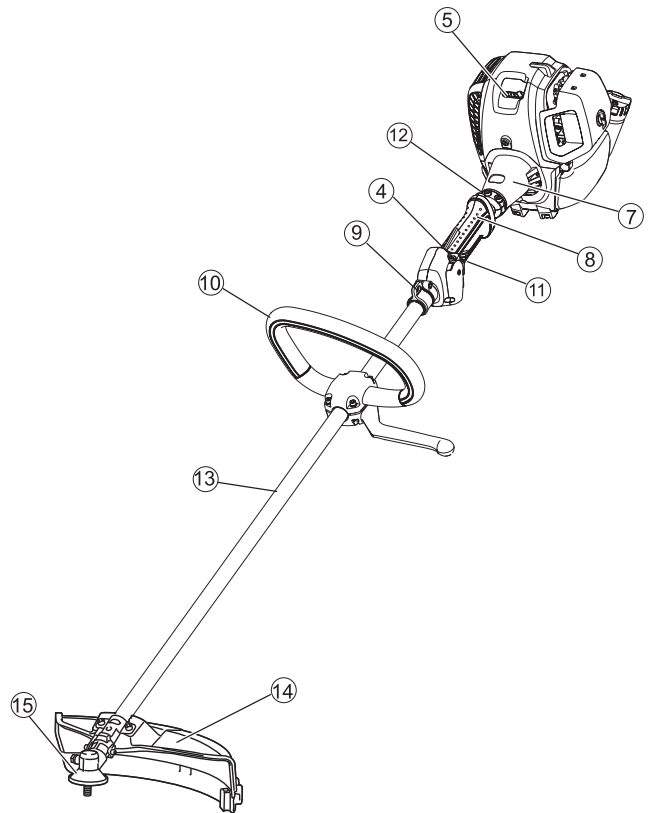
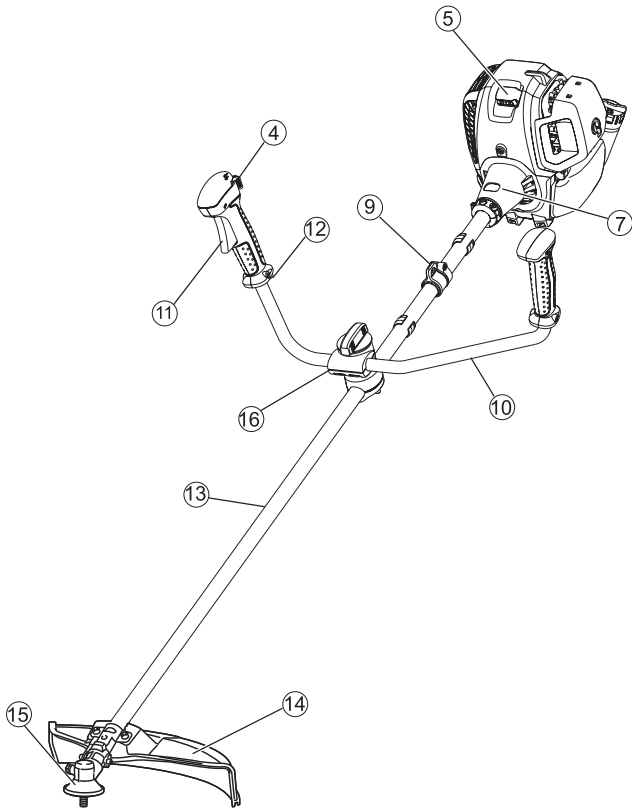
ΤΕΧΝΙΚΑ ΔΕΔΟΜΕΝΑ

Μοντέλο		EM2651UH	EM2651LH		
Τύπος χερουλιού		Χερούλι ποδηλάτου	Λαβή σε σχήμα βρόγχου		
Διαστάσεις: μήκος x πλάτος x ύψος (χωρίς το εργαλείο κοπής)		χιλ	1.765 x 620 x 474		
Βάρος (χωρίς το πλαστικό προφυλακτήρα και το εργαλείο κοπής)		κιλά	5,8		
Όγκος (ρεζερβουάρ καυσίμου)		Λίτρα	0,6		
Όγκος (ρεζερβουάρ λαδιού)		Λίτρα	0,08		
Εκτόπισμα κινητήρα		εκ. ³	25,4		
Μέγιστη απόδοση κινητήρα		kw	0,77 στις 7.000 min ⁻¹		
Ταχύτητα κινητήρα στη συνιστώμενη μέγιστη ταχύτητα του άξονα		λεπτό ⁻¹	10.000		
Μέγιστη ταχύτητα άξονα (αντίστοιχη)		λεπτό ⁻¹	7.400		
Ταχύτητα ρελαντί		λεπτό ⁻¹	3.000		
Ταχύτητα εμπλοκής συμπλέκτη		λεπτό ⁻¹	3.900		
Καρμπρατέρ		Τύπου διαφράγματος			
Σύστημα ανάφλεξης		Χωρίς επαφή, μαγνητικού τύπου			
Μπουζί		τύπος	NGK CMR4A		
Απόσταση των άκρων των ηλεκτροδίων		χιλ	0,7 - 0,8		
Δόνηση σύμφωνα με το ISO 22867	Δεξιό χερούλι (Πίσω λαβή)	$a_{inv\ eq}$	m/s ²	3,3	5,7
		Αβεβαιότητα K	m/s ²	0,8	1,2
	Αριστερό χερούλι (Μπροστινή λαβή)	$a_{inv\ eq}$	m/s ²	4,3	6,0
		Αβεβαιότητα K	m/s ²	1,6	1,8
Στάθμη ηχητικής πίεσης αντιπροσωπευτική του ISO 22868	$L_{PA\ eq}$	dBA	96,6		
	Αβεβαιότητα K	dBA	0,9		
Στάθμη ηχητικής ισχύος αντιπροσωπευτική του ISO 22868	$L_{WA\ eq}$	dBA	105,5		
	Αβεβαιότητα K	dBA	1,3		
Καύσιμο		Βενζίνη αυτοκινήτου			
Λάδι Κινητήρα		Λάδι κατηγορίας API κλάσης SF ή υψηλότερης ή λάδι 10W-30 του SAE (λάδι 4-χρονου κινητήρα για αυτοκίνητα)			
Εργαλεία κοπής (διάμετρος λάμας κοπής)		χιλ	230		
Σχέση μετάδοσης		14/19			

ΚΑΘΟΡΙΣΜΟΣ ΕΞΑΡΤΗΜΑΤΩΝ

**EM2650UH
EM2650UHN
EM2651UH**

**EM2650LH
EM2650LHN
EM2651LH**



GR	ΚΑΘΟΡΙΣΜΟΣ ΕΞΑΡΤΗΜΑΤΩΝ
1	Ρεζερβουάρ καυσίμου
2	Εκκινητήρας ανατύλιξης
3	Φίλτρο αέρα
4	I-O διακόπτης (ανοικτός/κλειστός)
5	Μπουζί
6	Σιγαστήρας εξάτμισης
7	Θήκη συμπλέκτη
8	Πίσω λαβή
9	Αναρτήρας
10	Χερούλι
11	Μοχλός χειρισμού
12	Καλώδιο χειρισμού
13	Αξονας
14	Προφυλακτήρας (Προφυλακτήρας κοπτικού εργαλείου)
15	Κιβώτιο ταχυτήτων/Κιβώτιο κεφαλής
16	Στήριγμα χερούλιού
17	Τάπα πληρωτή καυσίμου
18	Κουπί μίζας
19	Σωλήνας εξάτμισης
20	Δείκτης λαδιού

ΣΤΕΡΕΩΣΗ ΤΟΥ ΧΕΡΟΥΛΙΟΥ

ΠΡΟΣΟΧΗ: Πριν κάνετε την οποιαδήποτε εργασία πάνω στο Βενζινοκίνητο Θαμνοκοπτικό, πάντοτε να σταματάτε τον κινητήρα και να αποσυνδέετε το σύνδεσμο του μπουζιού από το μπουζί. Πάντοτε να φοράτε προστατευτικά γάντια!

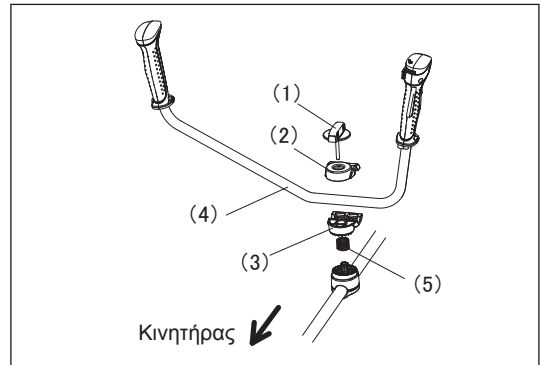
ΠΡΟΣΟΧΗ: Να ξεκινάτε το Βενζινοκίνητο Θαμνοκοπτικό μόνο αφότου το έχετε συναρμολογήσει εντελώς.



Για τα μηχανήματα με μοντέλα χερουλιών ποδηλάτων

- Ξεσφίξτε το κουμπί (1).
- Τοποθετήστε το χερούλι (4) μεταξύ του σφικτήρα του χερουλιού (2) και του στηρίγματος του χερουλιού (3).
- Προσαρμόστε το χερούλι (4) κατά μια γωνία που παρέχει μια βολική θέση εργασίας και στη συνέχεια στερεώστε το καλά σφίγγοντας με το χέρι το κουμπί (1).

ΠΡΟΣΟΧΗ: Μην ξεχάσετε να στερεώσετε το ελατήριο (5).

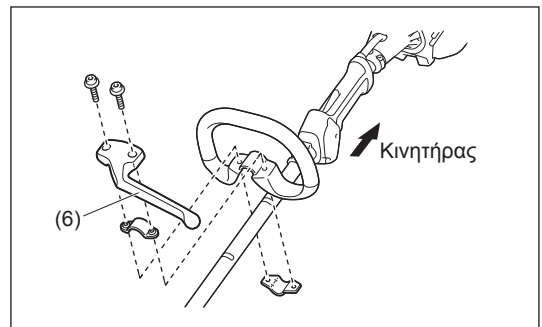
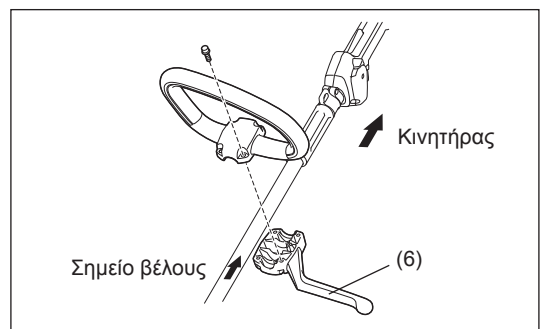


Για μηχανήματα με χερούλι σε σχήμα βρόγχου

- Στερεώστε ένα φράγμα (6) στην αριστερή πλευρά του μηχανήματος μαζί με το χερούλι για την προστασία του χειριστή.
- Εξασφαλίστε ότι το συγκρότημα λαβής/φραγμού βρίσκεται τοποθετημένο μεταξύ του διαχωριστικού και του σημείου του βέλους.

ΠΡΟΕΙΔΟΠΟΙΗΣΗ: Μην αφαιρέσετε ή συρρικνώσετε το διαχωριστικό. Το διαχωριστικό διατηρεί μια συγκεκριμένη απόσταση μεταξύ των δυο χεριών. Η τοποθέτηση του συγκροτήματος λαβής/φραγμού κοντά στην άλλη λαβή πέρα από το μήκος του διαχωριστικού μπορεί να προκαλέσει την απώλεια του ελέγχου και το σοβαρό προσωπικό τραυματισμό.

Σημείωση: Σε ορισμένες χώρες, το χερούλι μπορεί να είναι του τύπου που δεν διαθέτει φράγμα.



ΣΤΕΡΕΩΣΗ ΤΟΥ ΠΡΟΦΥΛΑΚΤΗΡΑ

ΠΡΟΕΙΔΟΠΟΙΗΣΗ:


Πάντα να χρησιμοποιείτε το εργαλείο με τον εγκεκριμένο συνδυασμό των εξοπλισμών ασφαλείας. Διαφορετικά η επαφή με το κοπτικό εργαλείο μπορεί να προκαλέσει σοβαρό τραυματισμό.

ΠΡΟΣΟΧΗ:

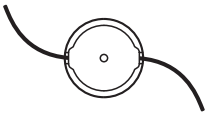
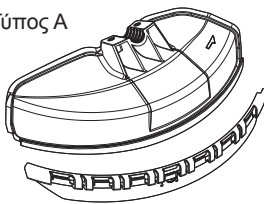

Σφίξτε τα μπουλόνια δεξιά και αριστερά ομοιόμορφα έτσι ώστε το διάκενο μεταξύ του σφιγκτήρα και του προστατευτικού να είναι σταθερό. Διαφορετικά, το προστατευτικό μπορεί να μην λειτουργήσει όπως αναμένεται.

Για εναρμόνιση με τις διατάξεις ασφαλείας, πρέπει να χρησιμοποιηθούν μόνο οι συνδυασμοί εργαλείου/προστατευτικού που αναφέρονται στον πίνακα.

Χρήση της μεταλλικής λάμας

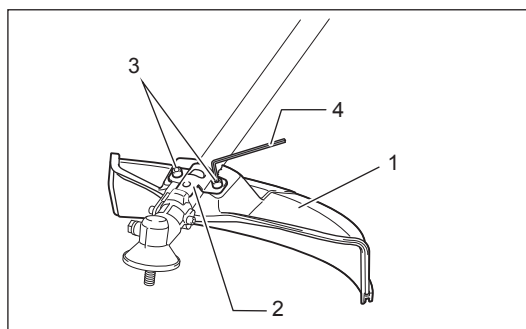
Μεταλλική λάμα	Είναι απαραίτητα η ροδέλα σύσφιξης, το καπάκι, και το παξιμάδι	Προστατευτικό
		Τύπος A 

Χρήση της νάιλον κοπτικής κεφαλής

Νάιλον κοπτική κεφαλή	Προστατευτικό
	Τύπος A  Τύπος B 

Για τη μεταλλική λάμα

Στερεώστε το προστατευτικό τύπου A (1) στο σφιγκτήρα (2) με τα δυο μπουλόνια M6 x 25 (3) με το εξαγωνο κλειδί 5 (4).



Για την νάιλον κοπτική κεφαλή (για το προστατευτικό τύπου A)

ΠΡΟΣΟΧΗ:

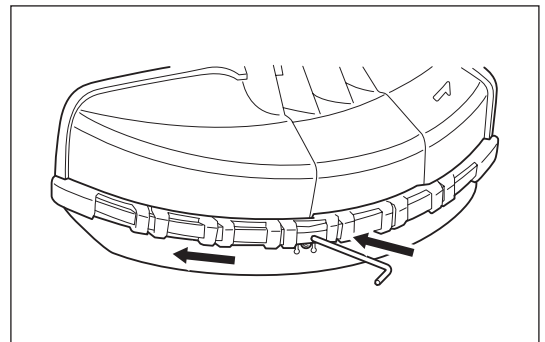
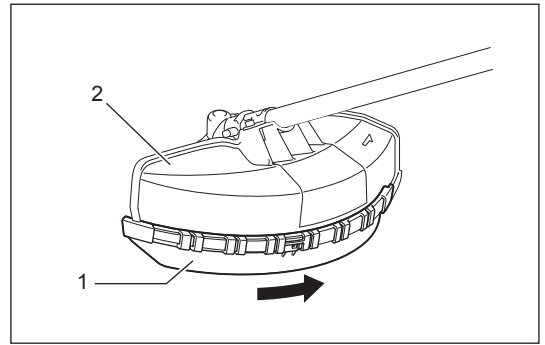
Βεβαιωθείτε να σπρώξετε προς τα μέσα την προέκταση του προστατευτικού (1) έως ότου εισχωρήσει πλήρως.

Διαφορετικά η προέκταση του προστατευτικού μπορεί να πέσει κάτω και να προκαλέσει προσωπικό τραυματισμό.

ΠΡΟΣΟΧΗ:

Φροντίστε να μην τραυματιστείτε πάνω στον κόφτη κόβοντας τη νάιλον μεσηνέζα.

1. Στερεώστε στο προστατευτικό τον σφιγκτήρα με τα δυο μπουλόνια M6 x 25.
2. Στερεώστε την προέκταση του προστατευτικού (1) σπρώχντάς τη στη θέση της από την πλευρά του προστατευτικού της μεταλλικής λάμας (2).
3. Αφαιρέστε την ταινία που είναι κολλημένη στον κόφτη, η οποία κόβει τη νάιλον μεσηνέζα, στην προέκταση του προστατευτικού.
4. Για να αφαιρέσετε την προέκταση του προστατευτικού, τοποθετήστε ένα εξάγωνο κλειδί 4 μέσα στην εγκοπή στο προστατευτικό, σπρώξτε το μέσα καθώς σύρετε την προέκταση του προστατευτικού.

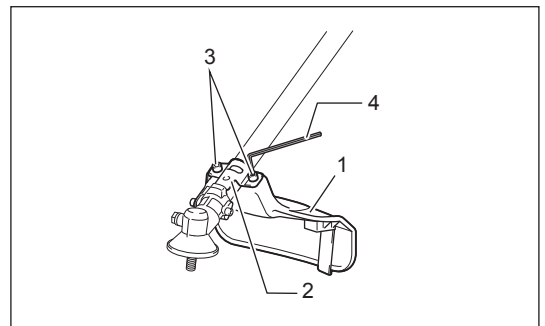


Για την νάιλον κοπτική κεφαλή (για το προστατευτικό τύπου B)

ΠΡΟΣΟΧΗ:

Φροντίστε να μην τραυματιστείτε πάνω στον κόφτη κόβοντας τη νάιλον μεσηνέζα.

Στερεώστε το προστατευτικό τύπου (1) στον σφιγκτήρα (2) με τα δυο μπουλόνια M6 x 25 (3) με το εξάγωνο κλειδί 5 (4).



ΣΤΕΡΕΩΣΗ ΤΗΣ ΛΑΜΑΣ ΚΟΠΗΣ Ή ΤΗΣ ΝΑΙΛΟΝ ΚΕΦΑΛΗΣ ΚΟΠΗΣ

ΠΡΟΣΟΧΗ:

Φροντίστε να χρησιμοποιείτε τις αυθεντικές κοπτικές λάμες ή τη νάιλον κοπτική κεφαλή της MAKITA.

- Η κοπτική λάμα πρέπει πάντοτε να είναι γυαλισμένη και χωρίς ρωγμές ή σπασίματα. Εάν η λάμα κοπής χτυπήσει μια πέτρα κατά τη λειτουργία, σταματήστε τον κινητήρα και ελέγξτε αμέσως τη λάμα.
- Γυαλίστε ή αντικαταστήστε τη λάμα κοπής κάθε τρεις ώρες λειτουργίας.
- Εάν η νάιλον κεφαλή κοπής χτυπήσει μια πέτρα κατά τη λειτουργία, σταματήστε τον κινητήρα και ελέγξτε αμέσως την κεφαλή κοπής.

ΠΡΟΣΟΧΗ:

Η εξωτερική διάμετρος της κοπτικής λάμας πρέπει να είναι 230 mm (9 - 1/16"). Ποτέ να μην χρησιμοποιήσετε λάμες που υπερβαίνουν τα 230 mm (9 - 1/16") σε εξωτερική διάμετρο.

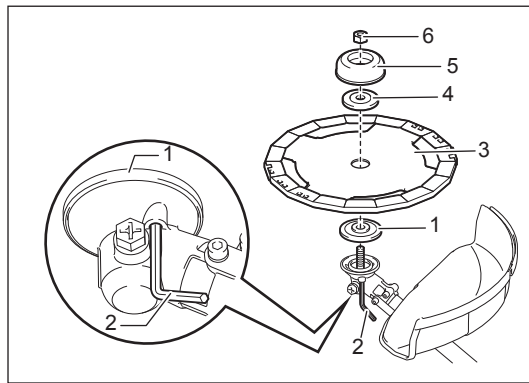
Στρέψτε το μηχάνημα ανάποδα, και τότε εύκολα μπορείτε να αντικαταστήσετε την λάμα κοπής ή τη νάιλον κεφαλή κοπής.

Τοποθέτηση της μεταλλικής λάμας

ΠΡΟΣΟΧΗ:

Πάντα να φοράτε γάντια και να τοποθετείτε το κάλυμμα της λάμας πάνω στη μεταλλική λάμα όταν χειρίζεστε τη λάμα του κόφτη.

1. Τοποθετήστε τη ροδέλα υποδοχής (1) πάνω στον άξονα.
2. Βάλτε το εξάγωνο κλειδί (2) μέσα στην τρύπα στο κιβώτιο των ταχυτήτων και περιστρέψτε τη ροδέλα υποδοχής (1) έως ότου κλειδώσει με το εξάγωνο κλειδί.
3. Στερεώστε τη μεταλλική λάμα (3) πάνω στον άξονα έτσι ώστε ο οδηγός της ροδέλας υποδοχής (1) να ταιριάζει στην τρύπα του άξονα της μεταλλικής λάμας.
4. Εγκαταστήστε τη ροδέλα σύσφιξης (4), το καπάκι (5) και στερεώστε τη λάμα κοπής περιστρέφοντας το παξιμάδι (6) αριστερόστροφα. [Ροπή σφίξης: 13 - 23 N-m]
5. Μετά την εγκατάσταση της μεταλλικής λάμας, αφαιρέστε το εξάγωνο κλειδί.

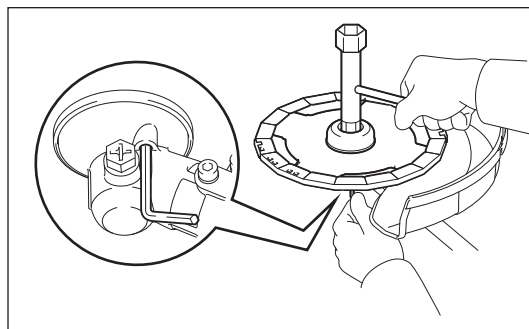


Για να αφαιρέσετε τη μεταλλική λάμα, εκτελέστε τα ακόλουθα:

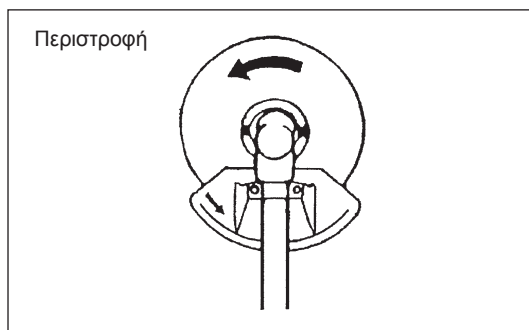
1. Βάλτε το εξάγωνο κλειδί μέσα στην τρύπα στο κιβώτιο των ταχυτήτων και περιστρέψτε τη ροδέλα υποδοχής έως ότου κλειδώσει με το εξάγωνο κλειδί.
2. Ξεσφίξτε το παξιμάδι δεξιόστροφα με το σωληνωτό κλειδί και αφαιρέστε το παξιμάδι, το καπάκι, τη ροδέλα σύσφιξης και το εξάγωνο κλειδί.

ΣΗΜΕΙΩΣΗ:

Το παξιμάδι στερέωσης της κοπτικής λάμας (με ελατηριωτή ροδέλα) φθείρεται με το πέρασμα του χρόνου. Εάν εμφανιστεί η οποιαδήποτε φθορά ή παραμόρφωση στην ελατηριωτή ροδέλα, αντικαταστήστε το παξιμάδι.

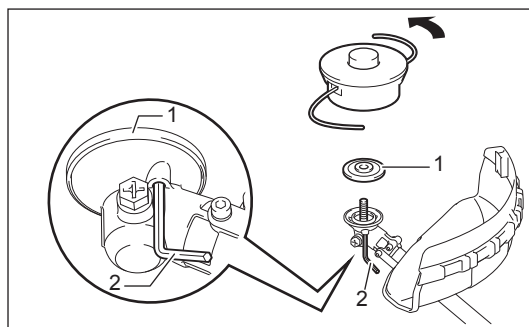


Φροντίστε ώστε η λάμα να έχει την αριστερή πλευρά προς τα πάνω.



Εγκατάσταση της νάιλον κοπτικής κεφαλής

1. Τοποθετήστε τη ροδέλα υποδοχής (1) πάνω στον άξονα.
2. Βάλτε το εξάγωνο κλειδί (2) μέσα στην τρύπα στο κιβώτιο των ταχυτήτων και περιστρέψτε τη ροδέλα υποδοχής (1) έως ότου κλειδώσει με το εξάγωνο κλειδί.
3. Βιδώστε τη νάιλον κοπτική κεφαλή πάνω στον άξονα περιστρέφοντας την αριστερόστροφα.
4. Μετά την εγκατάσταση της νάιλον κοπτικής κεφαλής, αφαιρέστε το εξάγωνο κλειδί.



ΠΡΙΝ ΑΠΟ ΤΟ ΞΕΚΙΝΗΜΑ ΤΗΣ ΛΕΙΤΟΥΡΓΙΑΣ

Έλεγχος και αναπλήρωση του λαδιού του κινητήρα

- Εκτελέστε την παρακάτω διαδικασία, με κρύο τον κινητήρα.
- Ορίστε το επίπεδο του κινητήρα, αφαιρέστε την τάπα λαδιού (Εικ. 1) και στη συνέχεια, ελέγξτε για να δείτε το εύρος μεταξύ των σημάνσεων του ανώτερου και του κατώτερου ορίου του σωλήνα λαδιού (Εικ. 2).
- Γεμίστε το λάδι έως το ανώτερο σημάδι ορίου εάν το λάδι δεν είναι επαρκές (η στάθμη του λαδιού βρίσκεται κοντά στο κατώτερο όριο) (Εικ. 3).
- Η περιοχή που περιβάλλει τις εξωτερικές σημάνσεις είναι διαφανής, έτσι ώστε η ποσότητα του λαδιού στο εσωτερικό μπορεί να ελεγχθεί χωρίς να χρειάζεται να αφαιρέσετε την τάπα λαδιού. Όμως εάν ο σωλήνας λαδιού γίνει πάρα πολύ βρώμικος, η ορατότητα μπορεί να χαθεί και τότε η στάθμη του λαδιού θα πρέπει να ελεγχθεί έναντι του κλιμακωτού τμήματος στο εσωτερικό της σωλήνας λαδιού.
- Για αναφορά, ο χρόνος αναπλήρωσης του λαδιού είναι 10 ώρες (10 φορές ή 10 δοχεία αναπληρωμένου λαδιού).
Εάν αλλάξει το χρώμα του λαδιού ή αναμειχθεί με βρωμιά, αντικαταστήστε το με καινούργιο. (Για το διάστημα και την μέθοδο αντικατάστασης, ανατρέξτε στη Σ 243)

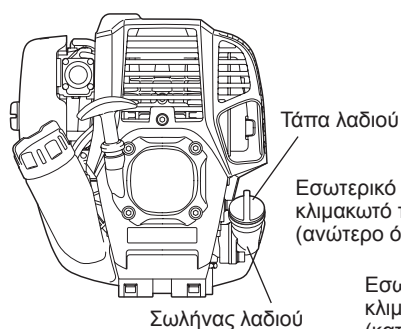
Συνιστώμενο λάδι: SAE 10W-30 λάδι Κατηγορίας API, Κλάση SF ή υψηλότερη (4-χρονος κινητήρας για αυτοκίνητα)

Όγκος λαδιού: Περίπου 0,08L

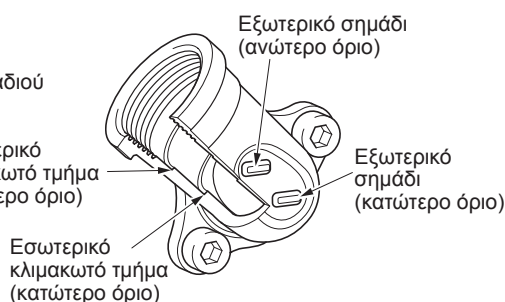
Σημείωση: Εάν ο κινητήρας δεν κρατηθεί όρθιος, το λάδι μπορεί να μπει γύρω από τον κινητήρα και να γεμίσει υπερβολικά. Εάν το λάδι γεμίσει πάνω από το όριο, το λάδι μπορεί να ρυπανθεί ή να πιάσει φωτιά με άσπρο καπνό.

1η παρατήρηση στην Αντικατάσταση του λαδιού: “Δείκτης λαδιού”

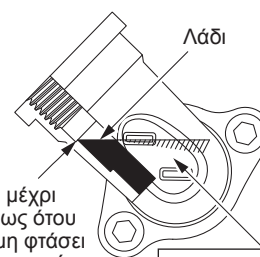
- Αφαιρέστε τη σκόνη ή την βρωμιά κοντά στην τρύπα ανεφοδιασμού του λαδιού, και αποσυνδέστε τον δείκτη λαδιού.
- Διατηρήστε τον δείκτη λαδιού που έχετε βγάλει καθαρό από άμμο και σκόνη. Διαφορετικά, η οποιαδήποτε άμμος ή σκόνη κολλήσει στον δείκτη του λαδιού μπορεί να προκαλέσει την μη φυσιολογική κυκλοφορία του λαδιού ή την φθορά των τμημάτων του κινητήρα, το οποίο θα προκαλέσει προβλήματα.



Εικ. 1



Εικ. 2 Σωλήνας λαδιού

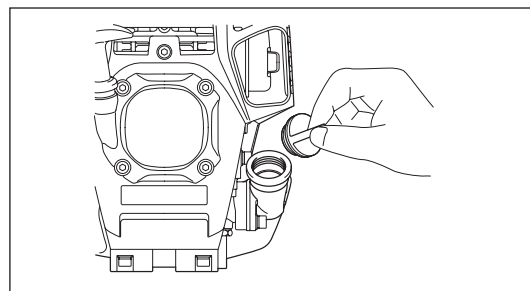


Γεμίστε μέχρι πάνω έως όπου η στάθμη φτάσει στο εσωτερικό κλιμακωτό τμήμα (ανώτερο όριο).

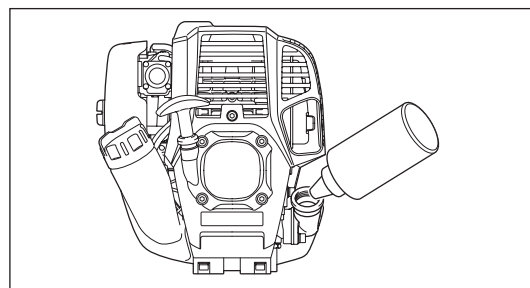
Η περιοχή μεταξύ του εξωτερικού πάνω και κάτω ορίου είναι διαφανής, έτσι η στάθμη του λαδιού μπορεί να ελεγχεται μεταξύ αυτών των δυο σημάνσεων.

Εικ. 3

(1) Κρατήστε τον κινητήρα επίπεδο και αποσυνδέστε την τάπα λαδιού.



(2) Γεμίστε με λάδι έως την ένδειξη του ανώτερου ορίου. (Δείτε Εικ. 3) Χρησιμοποιήστε το μπουκάλι λαδιού κατά το γέμισμα.



(3) Σφίξτε καλά την τάπα λαδιού. Το ανεπαρκές σφίξιμο μπορεί να προκαλέσει την διαρροή λαδιού.

Σημείωση

- Μην αντικαταστήσετε το λάδι έχοντας τον κινητήρα υπό κλίση.
- Το γέμισμα του λαδιού με τον κινητήρα υπό κλίση προσθέτει μια ποσότητα λαδιού μεγαλύτερη από την κανονική που προκαλεί την ρύπανση του λαδιού και/ή τον άσπρο καπνό.

2η παρατήρηση στην Αντικατάσταση του λαδιού: “Εάν το λάδι χυθεί έξω”

- Εάν το λάδι χυθεί έξω μεταξύ του ρεζερβουάρ καυσίμου και της κύριας μονάδας του κινητήρα, το λάδι απορροφάται μέσα στη θύρα εισαγωγής του ψυκτικού αέρα, και θα προκληθεί ρύπανση του κινητήρα. Φροντίστε να σκουπίσετε το λάδι που έχει χυθεί πριν την έναρξη της λειτουργίας.

ΑΝΕΦΟΔΙΑΣΜΟΣ

Χειρισμός καυσίμου

Είναι απαραίτητο να χειρίζεστε το καύσιμο με τη μεγαλύτερη δυνατή προσοχή. Το καύσιμο μπορεί να περιέχει ουσίες όμοιες με τους διαλύτες. Ο ανεφοδιασμός πρέπει να γίνεται σε ένα επαρκώς αεριζόμενο δωμάτιο ή σε ένα ανοικτό χώρο. Ποτέ να μην εισπνέετε τους ατμούς του καυσίμου και κρατήστε μακριά σας το καύσιμο. Εάν αγγίξετε το καύσιμο επαναλαμβανόμενα για μακρό χρονικό διάστημα το δέρμα γίνεται ξηρό, και μπορεί να προκαλέσει ασθένεια του δέρματος ή αλλεργία. Εάν το καύσιμο μπει στο μάτι καθαρίστε το με καθαρό νερό. Εάν το μάτι σας παραμείνει ερεθισμένο, συμβουλευτείτε το γιατρό σας.

Χρονική περίοδος αποθήκευσης του καυσίμου

Το καύσιμο πρέπει να χρησιμοποιείται μέσα σε μια περίοδο 4 εβδομάδων, ακόμη και αν είναι φυλαγμένο σε ειδικό δοχείο σε μια καλά αεριζόμενη σκιερή περιοχή.

Εάν δεν χρησιμοποιηθεί ειδικό δοχείο ή εάν το δοχείο μείνει ακάλυπτο, το καύσιμο μπορεί να αλλοιωθεί σε μια μέρα.

ΑΠΟΘΗΚΕΥΣΗ ΤΟΥ ΜΗΧΑΝΗΜΑΤΟΣ ΚΑΙ ΤΟΥ ΔΟΧΕΙΟΥ ΑΝΕΦΟΔΙΑΣΜΟΥ

- Φυλάξτε το μηχάνημα και το δοχείο σε ένα ψυχρό χώρο μακριά από το απευθείας ηλιακό φως.
- Ποτέ να μην φυλάσσετε το καύσιμο στην καμπίνα ή το πορτμπακάζ.

Καύσιμο

Ο κινητήρας είναι ένας τετράχρονος κινητήρας. Βεβαιωθείτε να χρησιμοποιήσετε μια βενζίνη αυτοκινήτου (κανονική βενζίνη ή βενζίνη υψηλής ποιότητας).

Σημειώσεις για το καύσιμο

- Ποτέ να μην χρησιμοποιήσετε ένα μείγμα βενζίνης που περιέχει λάδι μηχανής. Διαφορετικά, θα προκληθεί υπερβολική συσσώρευση άνθρακα ή μηχανικά προβλήματα.
- Η χρήση αλλοιωμένου λαδιού θα προκαλέσει τη μη φυσιολογική εκκίνηση.

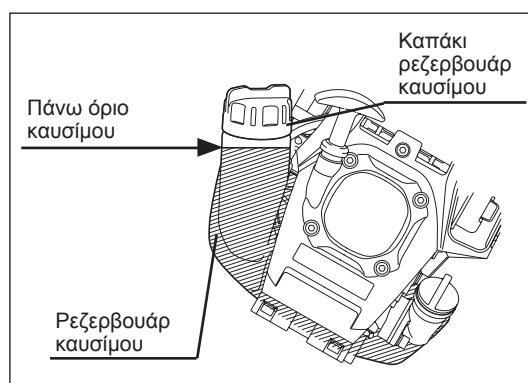
Ανεφοδιασμός

ΠΡΟΕΙΔΟΠΟΙΗΣΗ: ΟΙ ΕΥΦΛΕΚΤΕΣ ΟΥΣΙΕΣ ΑΠΑΓΟΡΕΥΟΝΤΑΙ ΑΥΣΤΗΡΑ

Χρησιμοποιούμενη βενζίνη: Βενζίνη αυτοκινήτου (αμόλυβδη βενζίνη)

- Ξεσφίξτε λίγο το καπάκι του ρεζερβουάρ έτσι ώστε να μην υπάρχει διαφορά στην ατμοσφαιρική πίεση.
- Αποσπάστε το καπάκι του ρεζερβουάρ, και ανεφοδιάστε, εκτονώνοντας τον αέρα γέρνοντας το ρεζερβουάρ καυσίμου έτσι ώστε η τρύπα ανεφοδιασμού να βλέπει προς τα πάνω. (Ποτέ να μην γεμίζετε το καύσιμο πλήρως έως της τρύπα ανεφοδιασμού του λαδιού.)
- Σκουπίστε καλά την περιφέρεια του καπακιού του ρεζερβουάρ για να αποτρέψετε στα ξένα σώματα να μπουν μέσα στο ρεζερβουάρ καυσίμου.
- Μετά τον ανεφοδιασμό, σφίξτε καλά το καπάκι του ρεζερβουάρ.

- Εάν υπάρχει κάποια ανωμαλία ή ζημιά στο καπάκι του ρεζερβουάρ, αντικαταστήστε το.
- Το καπάκι του ρεζερβουάρ είναι αναλώσιμο και επομένως θα πρέπει να αντικαθίσταται κάθε δυο με τρία χρόνια.



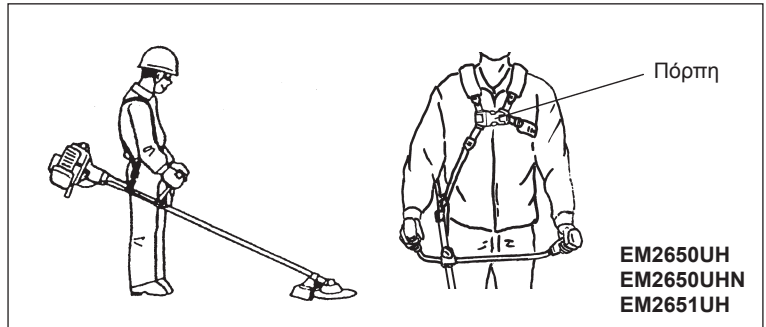
ΣΩΣΤΟΣ ΧΕΙΡΙΣΜΟΣ ΤΟΥ ΜΗΧΑΝΗΜΑΤΟΣ

Τοποθέτηση του ιμάντα του ώμου

- Προσαρμόστε το μήκος του ιμάντα έτσι ώστε η λάμα κοπής να είναι παράλληλη με το έδαφος.

Για EM2650UH, EM2650UHN, EM2651UH

ΣΗΜΕΙΩΣΗ: Προσέξτε να μην παγιδεύσετε μέσα στην πόρπη κάποιο ιματισμό κτλ.

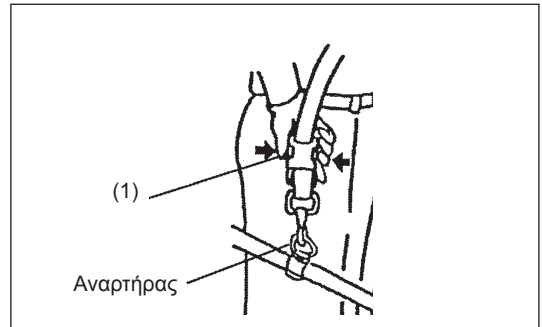


Αποσύνδεση

Για EM2650LH, EM2651LH

- Σε κατάσταση έκτακτης ανάγκης, σπρώξτε τις εγκοπές (1) προς τις δυο πλευρές, και με τον τρόπο αυτό αποσυνδέεται το μηχάνημα από εσάς. Τη στιγμή αυτή δώστε μεγάλη προσοχή για να διατηρήσετε τον έλεγχο του μηχανήματος. Μην επιτρέψετε στο μηχάνημα να εκτραπεί προς τα εσάς ή προς τον οποιονδήποτε στην περιοχή εργασίας.

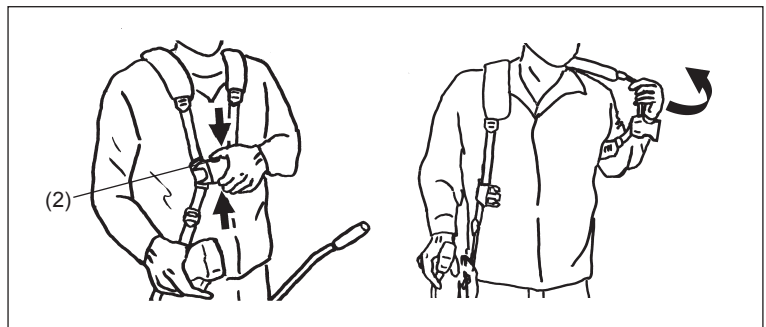
ΠΡΟΕΙΔΟΠΟΙΗΣΗ: Αν δεν διατηρήσετε τον πλήρη έλεγχο του μηχανήματος μπορεί να προκληθεί σοβαρός σωματικός τραυματισμός ή ΘΑΝΑΤΟΣ.



Για EM2650UH, EM2650UHN, EM2651UH

- Σε κατάσταση έκτακτης ανάγκης, σπρώξτε τις εγκοπές (2) προς τις δυο πλευρές, και με τον τρόπο αυτό αποσυνδέεται το μηχάνημα από εσάς. Τη στιγμή αυτή δώστε μεγάλη προσοχή για να διατηρήσετε τον έλεγχο του μηχανήματος. Μην επιτρέψετε στο μηχάνημα να εκτραπεί προς τα εσάς ή προς τον οποιονδήποτε στην περιοχή εργασίας.

ΠΡΟΕΙΔΟΠΟΙΗΣΗ: Αν δεν διατηρήσετε τον πλήρη έλεγχο του μηχανήματος μπορεί να προκληθεί σοβαρός σωματικός τραυματισμός ή ΘΑΝΑΤΟΣ.

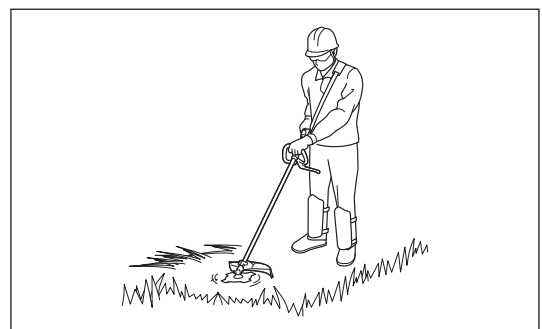


ΠΡΟΕΙΔΟΠΟΙΗΣΗ:

Τοποθετείτε πάντα το εργαλείο στη δεξιά σας πλευρά. Η σωστή τοποθέτηση του εργαλείου σας παρέχει τον πλήρη έλεγχο και θα ελαττώσει τον κίνδυνο σοβαρού προσωπικού τραυματισμού που προκαλείται από το κλώσσημα.

ΠΡΟΕΙΔΟΠΟΙΗΣΗ:

Δώστε μεγάλη προσοχή για να διατηρήσετε πάντοτε τον έλεγχο του εργαλείου. Μην επιτρέψετε στο εργαλείο να εκτραπεί προς τα εσάς ή προς τον οποιονδήποτε στην περιοχή εργασίας. Αν δεν το κάνετε αυτό, το εργαλείο μπορεί να προκαλέσει σοβαρό τραυματισμό στους παρευρισκόμενους και στον χειριστή.



Λειτουργία νάιλον κοπτικής κεφαλής

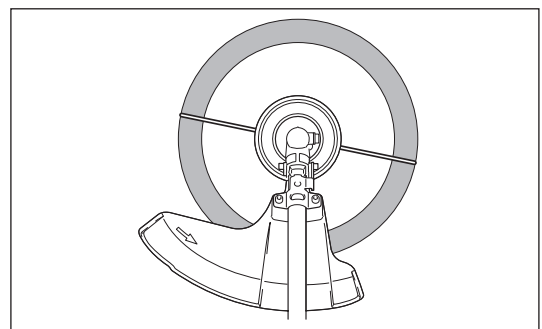
Η νάιλον κοπτική κεφαλή είναι μια κοπτική κεφαλή διπλής μεσηνέζας με ένα μηχανισμό πρόσκρουσης & τροφοδοσίας.

Για να προκληθεί η τροφοδοσία της νάιλον μεσηνέζας, η κοπτική κεφαλή πρέπει να κτυπηθεί έναντι του εδάφους όταν περιστρέφεται.

Η πιο αποτελεσματική περιοχή κοπής δείχνεται από την σκιασμένη περιοχή.

ΣΗΜΕΙΩΣΗ:

Εάν η νάιλον μεσηνέζα δεν τροφοδοτείται με το χτύπημα της κεφαλής, επαναυλίξτε/αντικαταστήστε τη νάιλον μεσηνέζα ακολουθώντας τις διαδικασίες που περιγράφονται στην ενότητα "ΟΔΗΓΙΕΣ ΣΕΡΒΙΣ".



ΣΗΜΕΙΩΣΕΙΣ ΓΙΑ ΤΟ ΧΕΙΡΙΣΜΟ ΚΑΙ ΠΩΣ ΝΑ ΓΙΝΕΙ ΤΟ ΣΤΑΜΑΤΗΜΑ

Να τηρείτε τους ισχύοντες κανονισμούς πρόληψης ατυχημάτων!

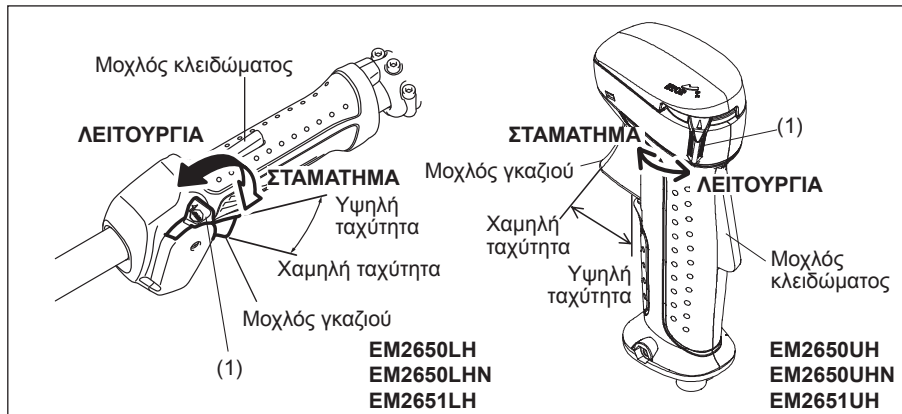


ΞΕΚΙΝΗΜΑ

Μετακινηθείτε τουλάχιστον 3 μέτρα από το σημείο ανεφοδιασμού με καύσιμο. Τοποθετήστε το Βενζινοκίνητο Θαμνοκοπτικό σε μια καθαρή περιοχή στο έδαφος δίνοντας προσοχή ώστε το εργαλείο κοπής να μην βρίσκεται σε επαφή με το έδαφος ή με άλλα αντικείμενα.

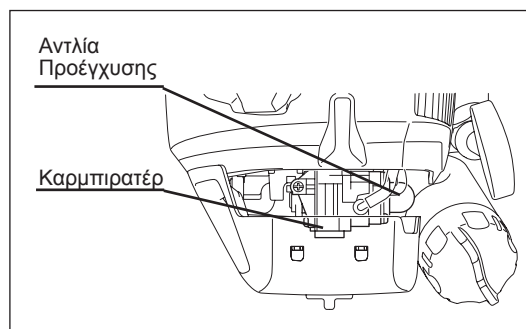
A: Εκκίνηση εν ψυχρώ

- 1) Τοποθετήστε αυτό το μηχανήμα σε μια επίπεδη επιφάνεια.
- 2) Τοποθετήστε το διακόπτη I-O (1) στη θέση ΛΕΙΤΟΥΡΓΙΑ.



- 3) Αντλία προέγχυσης

Συνεχίστε να σπρώχνεται την αντλία προέγχυσης έως ότου το καύσιμο να εισέλθει μέσα στην αντλία προέγχυσης. (Γενικά, το καύσιμο εισέρχεται μέσα στην αντλία προέγχυσης με 7 έως 10 σπρωξίματα.)
Εάν η αντλία προέγχυσης σπρωχτεί υπερβολικά, η περίσσεια ποσότητα βενζίνης επιστρέφει στο ρεζερβουάρ καυσίμου.



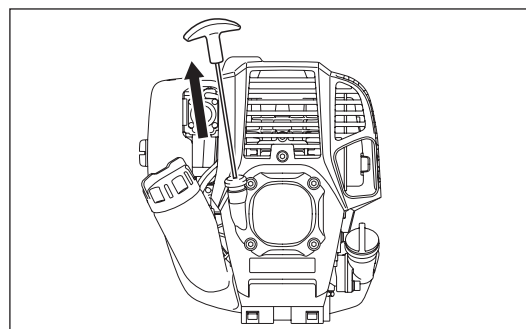
- 4) Εκκινητήρας ανατύλιξης

Τραβήξτε τη λαβή του εκκινητήρα ελαφρά έως ότου καταστεί δύσκολο το τράβηγμα (σημείο συμπίεσης). Στην συνέχεια επιστρέψτε τη λαβή εκκίνησης, και τραβήξτε την δυνατά.

Ποτέ να μην τραβήξετε το σχοινί μέχρι τέρμα. Όταν τραβηχτεί η λαβή του εκκινητήρα, ποτέ να μην ελευθερώσετε το χέρι σας αμέσως. Κρατήστε τη λαβή του εκκινητήρα έως ότου να επιστρέψει στο αρχικό της σημείο.

- 5) Λειτουργία προθέρμανσης

Συνεχίστε τη λειτουργία προθέρμανσης για 2 έως 3 λεπτά.



Σημείωση: Εάν εισέλθει υπερβολική ποσότητα καυσίμου, αφαιρέστε το μπουζί και τραβήξτε το χερούλι του εκκινητήρα αργά για να αφαιρέσετε το υπερβολικό καύσιμο. Επίσης, στεγνώστε το τμήμα του ηλεκτροδίου του μπουζιού.

Προσοχή κατά τη λειτουργία:

Εάν ο μοχλός του γκαζιού ανοίξει πλήρως κατά τη λειτουργία χωρίς φορτίο, οι περιστροφές του κινητήρα θα αυξηθούν στις 10.000 λεπτό⁻¹ ή περισσότερο. Ποτέ να μην λειτουργείτε τον κινητήρα σε υψηλότερες ταχύτητες από ό,τι απαιτείται, και διατηρήστε τις περιστροφές σε μια ταχύτητα περίπου 6.000 - 8.000 min⁻¹.

B: Εκκίνηση μετά την λειτουργία προθέρμανσης

- 1) Σπρώξτε επαναλαμβανόμενα την αντλία προέγχυσης.
- 2) Κρατήστε τον μοχλό του γκαζιού στη θέση του ρελαντί.
- 3) Τραβήξτε γερά τον εκκινητήρα ανατύλιξης.
- 4) Εάν είναι δύσκολη η εκκίνηση του κινητήρα, ανοίξτε το γκάζι στο 1/3 περίπου. Δώστε προσοχή στην λεπίδα κοπής η οποία μπορεί να περιστραφεί.

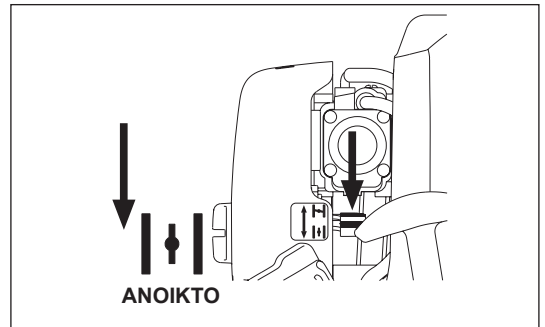
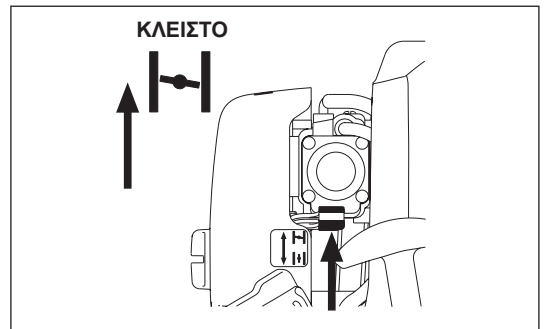
Σε κάποιες φορές, όπως το χειμώνα, που η εκκίνηση του κινητήρα είναι δύσκολη

Λειτουργήστε το μοχλό του τσοκ με την ακόλουθη διαδικασία κατά την εκκίνηση του κινητήρα.

- Αφού εκτελέσετε τα βήματα της εκκίνησης 1) έως 3), τοποθετήστε το μοχλό του τσοκ στην ΚΛΕΙΣΤΗ θέση.
- Εκτελέστε το βήμα εκκίνησης 4) και ξεκινήστε τον κινητήρα.
- Όταν ξεκινήσει ο κινητήρας, τοποθετήστε τον μοχλό του τσοκ στην ΑΝΟΙΚΤΗ θέση.
- Εκτελέστε το βήμα εκκίνησης 5) και ολοκληρώστε το ζέσταμα.

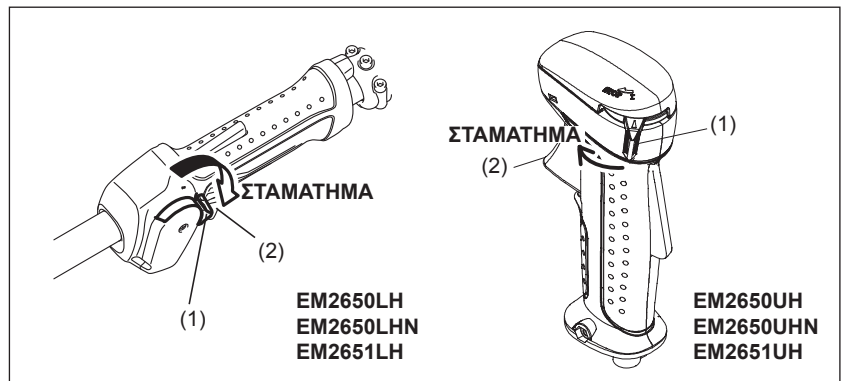
ΠΡΟΣΟΧΗ: Αν ακουστεί ένα μπαγκ (εκρηκτικός θόρυβος) και σταματήσει ο κινητήρας, ή αν σταματήσει ο κινητήρας πριν από το χειρισμό του μοχλού του τσοκ, επιστρέψτε τον μοχλό του τσοκ στην ΑΝΟΙΚΤΗ θέση και στη συνέχεια, τραβήξτε τη λαβή του εκκινητήρα μερικές φορές για να ξεκινήσει ο κινητήρας.

ΠΡΟΣΟΧΗ: Αν ο μοχλός του τσοκ παραμείνει στην ΚΛΕΙΣΤΗ θέση, και η λαβή εκκινητήρα απλά τραβηχτεί επαναλαμβανόμενα, θα εισέλθει παραπάνω ποσότητα καυσίμου και ο κινητήρας θα είναι δύσκολο να ξεκινήσει.



ΣΤΑΜΑΤΗΜΑ

- 1) Αφήστε εντελώς το μοχλό του γκαζιού (2), και μετά όταν οι στροφές του κινητήρα χαμηλώσουν, ρυθμίστε το διακόπτη I-O στη θέση ΣΤΑΣΗΣ και ο κινητήρας τώρα θα σταματήσει.
- 2) Έχετε υπόψη ότι η κεφαλή κοπής μπορεί να μην σταματήσει αμέσως και αφήστε την να σταματήσει εντελώς.



ΡΥΘΜΙΣΗ ΤΗΣ ΠΕΡΙΣΤΡΟΦΗΣ ΧΑΜΗΛΗΣ ΤΑΧΥΤΗΤΑΣ (ΡΕΛΑΝΤΙ)

Όταν είναι απαραίτητο να ρυθμίσετε την περιστροφή χαμηλής ταχύτητας (ρελαντί), εκτελέστε την από την βίδα ρύθμισης του ρελαντί.

ΕΛΕΓΧΟΣ ΤΗΣ ΠΕΡΙΣΤΡΟΦΗΣ ΧΑΜΗΛΗΣ ΤΑΧΥΤΗΤΑΣ

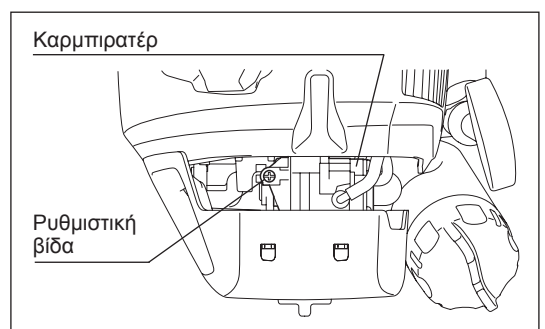
ΠΡΟΣΟΧΗ:

Το εξάρτημα κοπής μπορεί να περιστρέφεται κατά τη διάρκεια των ρυθμίσεων του καρμπιρατέρ. Φοράτε τον προστατευτικό εξοπλισμό και τηρήστε όλες τις οδηγίες ασφαλείας. Βεβαιωθείτε ότι το κοπτικό προσάρτημα σταματά την περιστροφή του όταν ο κινητήρας βρίσκεται στο ρελαντί.

ΠΡΟΣΟΧΗ

Όταν η συσκευή είναι κλειστή, σιγουρευτείτε ότι το κοπτικό εξάρτημα είναι σταματημένο πριν τοποθετηθεί κάτω η συσκευή.

- Ρυθμίστε την περιστροφή χαμηλής ταχύτητας στις 3.000 λεπτό⁻¹. Εάν είναι απαραίτητο να αλλάξει η ταχύτητα περιστροφής, προσαρμόστε την ρυθμιστική βίδα (που δείχνεται στα αριστερά), με ένα σταυρωτό κατσαβίδι.
- Στρέψτε την ρυθμιστική βίδα προς τα δεξιά, και η περιστροφή του κινητήρα θα αυξηθεί. Στρέψτε την ρυθμιστική βίδα προς τα αριστερά, και η περιστροφή του κινητήρα θα μειωθεί.
- Το καρμπιρατέρ είναι γενικά ρυθμισμένο πριν την αποστολή. Εάν είναι απαραίτητη η επαναρύθμιση, παρακαλώ ελάτε σε επαφή με τον Εξουσιοδοτημένο Αντιπρόσωπο του Σέρβις.



ΟΔΗΓΙΕΣ ΣΕΡΒΙΣ

ΠΡΟΣΟΧΗ: Πριν κάνετε την οποιαδήποτε εργασία πάνω στο Βενζινοκίνητο Θαμνοκοπτικό, πάντοτε να σταματάτε τον κινητήρα και να αποσυνδέετε το καπάκι του μπουζιού από το μπουζί (δείτε την ενότητα “έλεγχος του μπουζιού”). Πάντοτε να φοράτε προστατευτικά γάντια!

Για την διασφάλιση της μεγάλης διάρκειας ζωής και της αποφυγής της ζημιάς στη συσκευή, εκτελείτε κατά τακτά διαστήματα τις παρακάτω εργασίες συντήρησης.

Καθημερινός έλεγχος και συντήρηση

- Πριν την λειτουργία, ελέγξτε την συσκευή για ξεσφιγμένες βίδες ή εξαρτήματα που λείπουν. Δώστε ιδιαίτερη προσοχή στο σφίξιμο της λάμας κοπής ή στην νάιλον κεφαλή κοπής.
- Πριν από την λειτουργία, πάντοτε να ελέγχετε για την ύπαρξη βουλώματος στους αεραγωγούς ψύξης και στα πτερύγια του κυλίνδρου. Καθαρίστε τα εάν είναι απαραίτητο.
- Εκτελέστε τις παρακάτω εργασίες συντήρησης καθημερινά μετά την χρήση:
 - Καθαρίστε εξωτερικά το Βενζινοκίνητο Θαμνοκοπτικό και επιθεωρήστε το για την ύπαρξη ζημιάς.
 - Καθαρίστε το φίλτρο αέρα. Κατά την εργασία υπό συνθήκες με πολύ σκόνη, καθαρίστε το φίλτρο αρκετές φορές την μέρα.
 - Ελέγξτε τη λάμα ή την νάιλον κεφαλή κοπής για ζημιά και βεβαιωθείτε ότι είναι καλά στερεωμένη.
 - Ελέγξτε για να διαπιστώσετε ότι υπάρχει επαρκής διαφορά μεταξύ των ταχυτήτων του ρελαντί και της λειτουργίας και να διασφαλίσετε ότι το εργαλείο κοπής είναι σταματημένο όταν ο κινητήρας βρίσκεται στο ρελαντί (εάν είναι απαραίτητο, ελαττώστε την ταχύτητα του ρελαντί). Εάν στο ρελαντί το εργαλείο συνεχίσει να λειτουργεί, συμβουλευτείτε τον Εξουσιοδοτημένο Αντιπρόσωπο του Σέρβις.
- Ελέγξτε για να διαπιστώσετε ότι ο διακόπτης I-O, ο μοχλός απεμπλοκής, ο μοχλός χειρισμού, και το κουμπί ασφάλισης λειτουργούν σωστά.

Ακόνισμα μεταλλικής λάμας

ΠΡΟΣΟΧΗ:

Οι μεταλλικές λάμες πρέπει να ακονίζονται μόνο σε ένα εξουσιοδοτημένο κατάστημα. Το ακόνισμα με το χέρι μπορεί να προκαλέσει ανισοροπίες στο κοπτικό εργαλείο που προκαλούν Δονήσεις και βλάβη στον εξοπλισμό.

ΣΗΜΕΙΩΣΗ: Για να αυξηθεί η διάρκεια ζωής της κοπτικής λάμας μπορεί να αναποδογυριστεί μια φορά, έως ότου να αμβλύνουν και τα δυο κοπτικά άκρα.

ΑΝΤΙΚΑΤΑΣΤΑΣΗ ΤΟΥ ΛΑΔΙΟΥ ΤΟΥ ΚΙΝΗΤΗΡΑ

Το αλλοιωμένο λάδι του κινητήρα θα μικρύνει την διάρκεια ζωής των εξαρτημάτων που ολισθαίνουν και περιστρέφονται κατά μεγάλο βαθμό. Φροντίστε να ελέγχετε την περίοδο και την ποσότητα της αντικατάστασης.



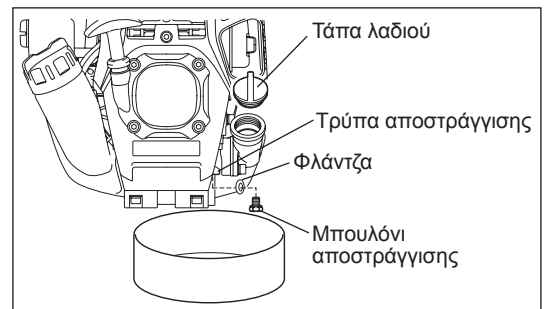
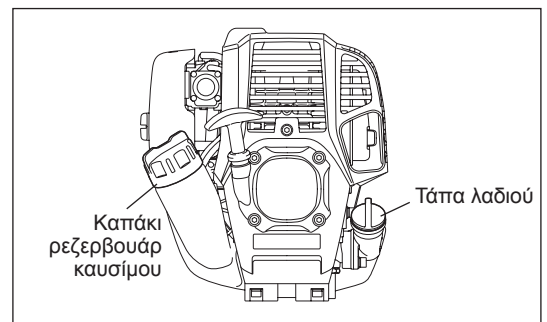
ΠΡΟΣΟΧΗ: Γενικά, η κύρια μονάδα του κινητήρα και το λάδι του κινητήρα παραμένουν ακόμη ζεστά αμέσως μετά το σταμάτημα του κινητήρα. Κατά την αντικατάσταση του λαδιού, επιβεβαιώστε ότι η κύρια μονάδα του κινητήρα και το λάδι του κινητήρα έχουν επαρκώς κρυώσει. Διαφορετικά υπάρχει ο κίνδυνος εγκαύματος.

Σημείωση: Εάν το λάδι γεμίσει πάνω από το όριο, το λάδι μπορεί να ρυπανθεί ή να πιάσει φωτιά με άσπρο καπνό.

Περίοδοι αντικατάστασης: Αρχικά, κάθε 20 ώρες λειτουργίας, και στη συνέχεια κάθε 50 ώρες λειτουργίας
Συνιστώμενο λάδι: SAE 10W-30 λάδι Κατηγορίας API Κλάση SF ή υψηλότερη (4-χρονος κινητήρας για αυτοκίνητα)

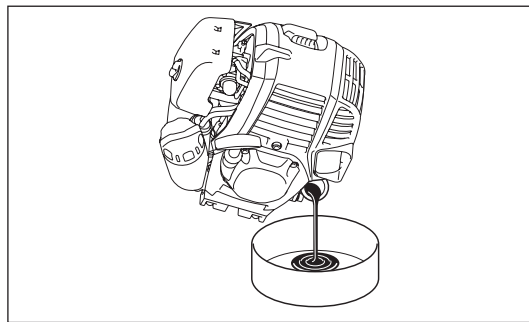
Κατά την αντικατάσταση εκτελέστε την παρακάτω διαδικασία.

- 1) Επιβεβαιώστε ότι το καπάκι του ρεζερβουάρ καυσίμου είναι καλά σφιγμένο.
- 2) Τοποθετήστε ένα μεγάλο δοχείο (λεκάνη, κτλ) κάτω από την τρύπα αποστράγγισης.
- 3) Αφαιρέστε το μπουλόνι αποστράγγισης και στη συνέχεια αφαιρέστε την τάπα του λαδιού για να αποστραγγιστεί το λάδι από την τρύπα αποστράγγισης.
Τη στιγμή αυτή, φροντίστε ώστε να μην χάσετε τη φλάντζα του μπουλονιού αποστράγγισης ή να μην κολλήσει βρωμιά πάνω στα εξαρτήματα που έχουν αφαιρεθεί.
- 4) Όταν αποστραγγιστεί όλο το λάδι, ενώστε τη φλάντζα με το μπουλόνι αποστράγγισης και στερεώστε καλά το μπουλόνι αποστράγγισης έτσι ώστε να μην μπορεί να χαλαρώσει και να προκαλέσει διαρροές.
* Χρησιμοποιώντας ένα ύφασμα σκουπίστε το λάδι που τυχόν υπάρχει πάνω στο μπουλόνι ή στη συσκευή.

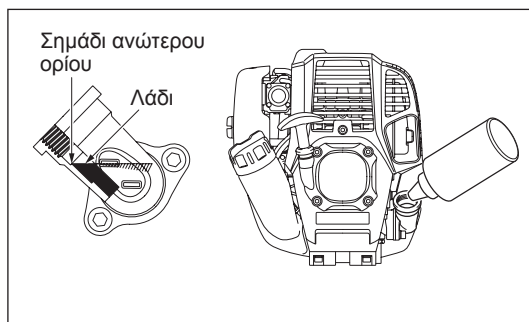
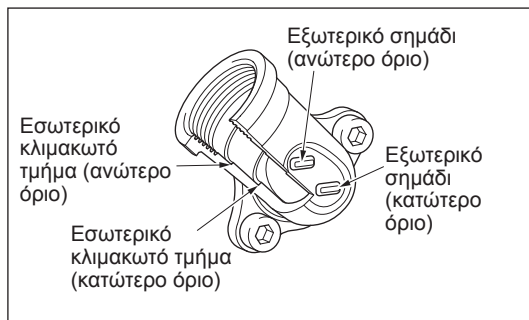


Εναλλακτική μέθοδος αποστράγγισης

Αφαιρέστε την τάπα του λαδιού, δώστε κλίση στο Βενζινοκίνητο Θαμνοκοπτικό προς το μέρος της τρύπας του πληρωτή λαδιού και στη συνέχεια, αποστραγγίστε προς τα έξω το λάδι. Συλλέξτε το λάδι στο δοχείο.



- 5) Τοποθετήστε επίπεδα τον κινητήρα και στη συνέχεια, γεμίστε βαθμιαία έως τη σήμανση του ανώτερου ορίου με καινούργιο λάδι.
- 6) Μετά το γέμισμα, σφίξτε καλά την τάπα του λαδιού έτσι ώστε να μην ξεσφίξει και προκαλέσει διαρροές. Εάν η τάπα του λαδιού δεν στερεωθεί καλά μπορεί να προκληθεί διαρροή.



ΣΗΜΕΙΩΣΕΙΣ ΓΙΑ ΤΟ ΛΑΔΙ

- Ποτέ να μην πετάξετε το παλιό λάδι στα σκουπίδια, στο έδαφος ή στην αποχέτευση. Η απόρριψη του λαδιού υπόκειται στην νομοθεσία. Κατά την απόρριψη, πάντοτε να ακολουθείτε τους σχετικούς νόμους και κανονισμούς. Εάν δεν γνωρίζετε κάποια στοιχεία, επικοινωνήστε με τον Εξουσιοδοτημένο Αντιπρόσωπο του Σέρβις.
- Το λάδι θα αλλοιωθεί ακόμη και αν το φυλάξετε αχρησιμοποίητο. Εκτελέστε τον έλεγχο και την αντικατάσταση σε τακτά διαστήματα (αντικαταστήστε με καινούργιο λάδι κάθε 6 μήνες).

ΚΑΘΑΡΙΣΜΟΣ ΦΙΛΤΡΟΥ ΑΕΡΑ



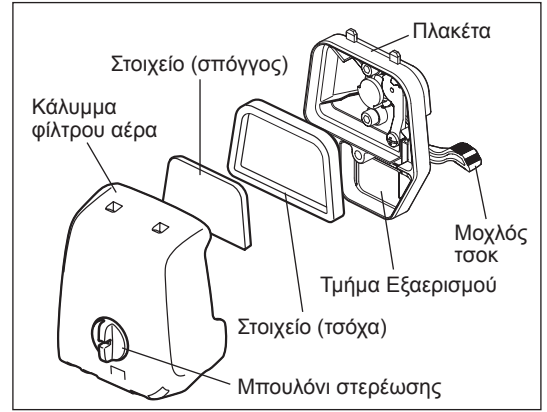
ΚΙΝΔΥΝΟΣ: ΟΙ ΕΥΦΛΕΚΤΕΣ ΟΥΣΙΕΣ ΑΠΑΓΟΡΕΥΟΝΤΑΙ ΑΥΣΤΗΡΑ

Χρονικό διάστημα καθαρισμού και επιθεώρησης: Καθημερινά (κάθε 10 ώρες λειτουργίας)

- Στρέψτε το μοχλό του τσοκ στην πλήρως κλειστή πλευρά και κρατήστε το καρμπιρατέρ καθαρό από βρωμιά ή σκόνη.
- Ξεσφίξτε το μπουλόνι στερέωσης.
- Αφαιρέστε το κάλυμμα του φίλτρου αέρα τραβώντας την πίσω πλευρά του.
- Αφαιρέστε τα στοιχεία και χτυπήστε τα ελαφρά για να αφαιρέσετε τις βρωμιές.
- Εάν τα στοιχεία είναι πάρα πολύ ρυπαρά:
Αφαιρέστε τα στοιχεία, βυθίστε τα σε ζεστό νερό ή σε νερό με διαλυμένο ουδέτερο απορρυπαντικό, και στεγνώστε τα εντελώς. Μην τα πιέζετε και μην τα τρίβετε κατά το πλύσιμο.
- Πριν συνδέσετε τα στοιχεία, φροντίστε να τα στεγνώστε αμέσως. Το ανεπαρκές στέγνωμα των στοιχείων μπορεί να οδηγήσει στη δυσκολία στην εκκίνηση.
- Σκουπίστε με ένα άχρηστο πανί το λάδι που είναι κολλημένο γύρω από το κάλυμμα του φίλτρου αέρα και το τμήμα του τμήματος αερισμού.
- Τοποθετήστε το στοιχείο (σπόγγος) μέσα στο στοιχείο (τσόχα).
Τοποθετήστε τα στοιχεία μέσα στην πλακέτα έτσι ώστε ο σπόγγος να βλέπει προς το κάλυμμα του φίλτρου αέρα.
- Αμέσως συνδέστε το κάλυμμα του φίλτρου και σφίξτε το με τα μπουλόνια στερέωσης. (Κατά την επανατοποθέτηση, πρώτα τοποθετήστε την πάνω προεξοχή, και στη συνέχεια την κάτω προεξοχή.)

ΣΗΜΕΙΩΣΕΙΣ:

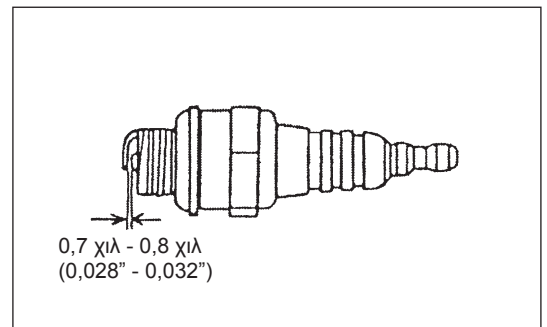
- Καθαρίστε τα στοιχεία αρκετές φορές την ημέρα, εάν κολλάει πάνω τους υπερβολική σκόνη. Τα βρώμικα στοιχεία μειώνουν την ισχύ του κινητήρα και δυσχεραίνουν την εκκίνηση του κινητήρα.
- Αφαιρέστε το λάδι από τα στοιχεία. Εάν συνεχιστεί η λειτουργία με τα στοιχεία να παραμένουν βρώμικα από λάδι, το λάδι από το φίλτρο αέρα μπορεί να πέσει έξω, ρυπαίνοντας έτσι το περιβάλλον.
- Μην τοποθετείτε τα στοιχεία στο έδαφος ή σε βρώμικο σημείο.
Διαφορετικά, μαζεύουν σκόνη ή θραύσματα και μπορεί να προκληθεί βλάβη στον κινητήρα.
- Ποτέ να μην χρησιμοποιείτε καύσιμα για τον καθαρισμό των στοιχείων. Τα καύσιμα μπορεί να προκαλέσουν βλάβη σε αυτά.



ΕΛΕΓΧΟΣ ΤΟΥ ΜΠΟΥΖΙΟΥ

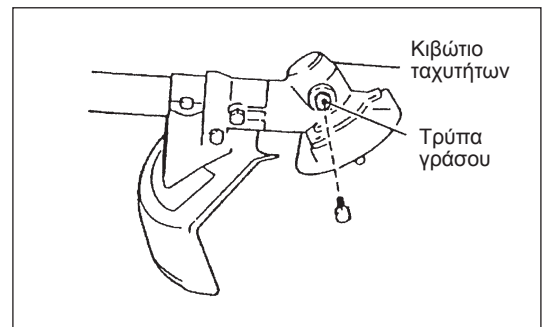
- Χρησιμοποιήστε μόνο το παρεχόμενο κλειδί γενικής χρήσης για την αφαίρεση ή την τοποθέτηση του μπουζιού.
- Το διάκενο μεταξύ των δυο ηλεκτροδίων του μπουζιού πρέπει να είναι 0,7 - 0,8 χιλ (0,028" - 0,032"). Διορθώστε το διάκενο εάν είναι πολύ μεγάλο ή μικρό. Εάν το μπουζί είναι βουλωμένο ή ρυπαρό, καθαρίστε το καλά ή αντικαταστήστε το.

ΠΡΟΣΟΧΗ: Ποτέ να μην αγγίζετε το σύνδεσμο του μπουζιού καθώς λειτουργεί ο κινητήρας (υπάρχει κίνδυνος ηλεκτροπληξίας από την υψηλή τάση).



ΓΡΑΣΑΡΙΣΜΑ ΤΟΥ ΚΙΒΩΤΙΟΥ ΤΑΧΥΤΗΤΩΝ

- Βάλτε γράσο (Shell Alvania 2 ή ισοδύναμο) στο κιβώτιο ταχυτήτων μέσα από την τρύπα του γράσου κάθε 30 ώρες. (Αυθεντικό γράσο MAKITA μπορεί να αγοραστεί από τον αντιπρόσωπο της MAKITA.)



ΚΑΘΑΡΙΣΜΑ ΦΙΛΤΡΟΥ ΚΑΥΣΙΜΟΥ

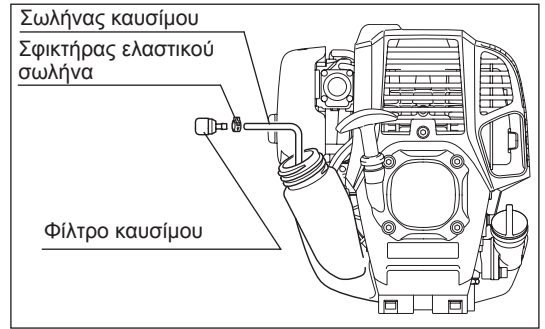
ΠΡΟΕΙΔΟΠΟΙΗΣΗ: ΟΙ ΕΥΦΛΕΚΤΕΣ ΟΥΣΙΕΣ ΑΠΑΓΟΡΕΥΟΝΤΑΙ ΑΥΣΤΗΡΑ

Χρονικό διάστημα καθαρισμού και επιθεώρησης: Μηνιαία (κάθε 50 ώρες λειτουργίας)

Κεφαλή αναρρόφησης στο ρεζερβουάρ καυσίμου

Ελέγξτε περιοδικά το φίλτρο καυσίμου. Για να ελέγξετε το φίλτρο καυσίμου, ακολουθήστε τα παρακάτω βήματα.

- (1) Αφαιρέστε το καπάκι του ρεζερβουάρ καυσίμου, και αποστραγγίστε το καύσιμο για να αδειάσετε το ρεζερβουάρ. Ελέγξτε το εσωτερικό του ρεζερβουάρ για τυχόν ξένα υλικά. Εάν υπάρχουν, αφαιρέστε τα.
- (2) Χρησιμοποιήστε ένα συρματένιο άγκιστρο και τραβήξτε έξω την κεφαλή αναρρόφησης μέσα από το άνοιγμα του ρεζερβουάρ.
- (3) Εάν το φίλτρο καυσίμου έχει βουλώσει ελαφρώς, καθαρίστε το. Για να το καθαρίσετε, ανακινήστε το μαλακά και χτυπήστε το ελαφρά στο καύσιμο. Για την αποφυγή ζημιάς, μην το πιέσετε ή το τρίψετε. Το καύσιμο που χρησιμοποιείται για τον καθαρισμό πρέπει να απορρίπτεται σύμφωνα με τη μέθοδο που καθορίζεται από τους κανονισμούς της χώρας σας. Εάν το φίλτρο καυσίμου έχει σκληρύνει ή βουλώσει πολύ, αντικαταστήστε το.
- (4) Μετά τον έλεγχο, τον καθαρισμό ή την αντικατάσταση, πιέστε το φίλτρο καυσίμου μέχρι τέρμα στο κάτω μέρος του ρεζερβουάρ καυσίμου. Το βουλωμένο ή φθαρμένο φίλτρο καυσίμου μπορεί να προκαλέσει ανεπαρκή τροφοδοσία καυσίμου και να μειώσει την ισχύ του κινητήρα. Αντικαταστήστε το φίλτρο καυσίμου τουλάχιστον κάθε τρεις μήνες για να εξασφαλίσετε την ικανοποιητική τροφοδοσία καυσίμου στο καρμπιρατέρ.



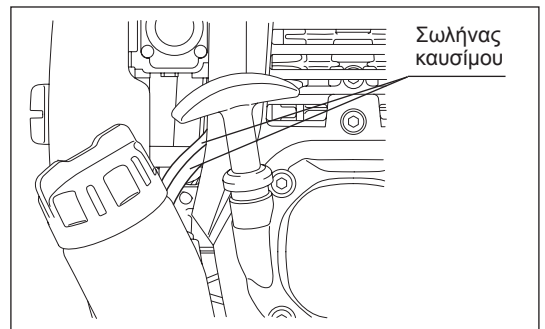
ΑΝΤΙΚΑΤΑΣΤΑΣΗ ΤΗΣ ΣΩΛΗΝΑΣ ΚΑΥΣΙΜΟΥ

ΠΡΟΣΟΧΗ: ΟΙ ΕΥΦΛΕΚΤΕΣ ΟΥΣΙΕΣ ΑΠΑΓΟΡΕΥΟΝΤΑΙ ΑΥΣΤΗΡΑ

Χρονικό διάστημα καθαρισμού και επιθεώρησης: Καθημερινά (κάθε 10 ώρες λειτουργίας)

Αντικατάσταση: Ετήσια (κάθε 200 ώρες λειτουργίας)

Αντικαταστήστε την σωλήνα καυσίμου κάθε χρόνο, ανεξάρτητα από την συχνότητα χρήσης. Η διαρροή καυσίμου μπορεί να οδηγήσει στην πυρκαγιά. Εάν ανιχνευτεί η οποιαδήποτε διαρροή κατά την επιθεώρηση, αντικαταστήστε αμέσως την σωλήνα λαδιού.



ΕΠΙΘΕΩΡΗΣΗ ΜΠΟΥΛΟΝΙΩΝ, ΠΑΞΙΜΑΔΙΩΝ ΚΑΙ ΒΙΔΩΝ

- Σφίξτε ξανά τα χαλαρά μπουλόνια, παξιμάδια κτλ.
- Ελέγξτε για την περίπτωση διαρροής καυσίμου και λαδιού.
- Αντικαταστήστε τα φθαρμένα εξαρτήματα με καινούργια για μια ασφαλή λειτουργία.

ΚΑΘΑΡΙΣΜΟΣ ΕΞΑΡΤΗΜΑΤΩΝ

- Διατηρήστε τον κινητήρα πάντοτε καθαρό.
- Καθαρίστε τα πτερύγια του κυλίνδρου καθαρά από σκόνη ή βρωμιά. Η κολλημένη σκόνη ή βρωμιά στα πτερύγια θα προκαλέσει το σφήνωμα του πιστονιού.

ΑΝΤΙΚΑΤΑΣΤΑΣΗ ΦΛΑΝΤΖΩΝ ΚΑΙ ΣΤΟΙΧΕΙΩΝ ΣΥΝΑΡΜΟΛΟΓΗΣΗΣ

Κατά την επανασυναρμολόγηση του κινητήρα μετά από την αποσυναρμολόγησή του, φροντίστε να αντικαταστήσετε όλες τις φλάντζες και τα στοιχεία συναρμολόγησης με καινούργια.

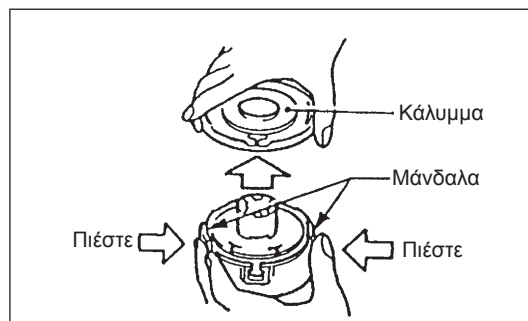
Η οποιαδήποτε εργασία συντήρησης ή ρύθμισης που δεν συμπεριλαμβάνεται και δεν περιγράφεται σε αυτό το εγχειρίδιο θα πρέπει να εκτελείται μόνο από τους Εξουσιοδοτημένους Αντιπροσώπους του Σέρβις.

Αντικατάσταση του νάιλον νήματος

(Για το υπεραυτόματο 4)

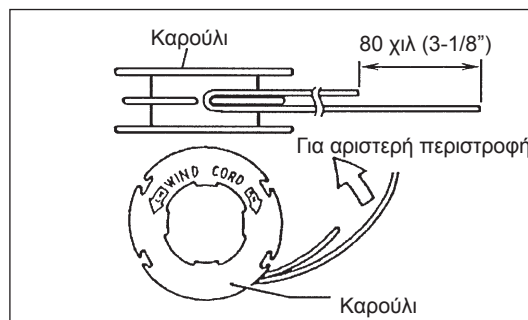
Σταματήστε τον κινητήρα.

Πιέστε τις εγκοπές στη θήκη προς τα μέσα για να ανυψώσετε το κάλυμμα και στη συνέχεια αφαιρέστε τον κύλινδρο.

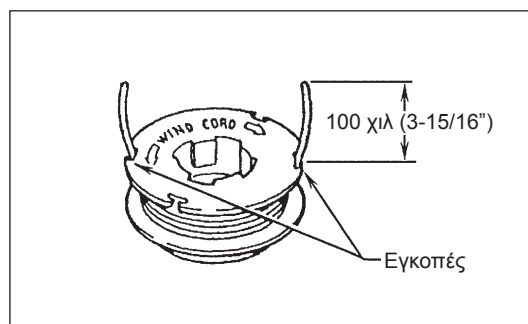


Αγκιστρώστε το κέντρο του καινούργιου νάιλον νήματος στην εγκοπή, με το ένα άκρο του νήματος να προεξέχει περίπου 80 χιλ (3-1/8") περισσότερο από το άλλο.

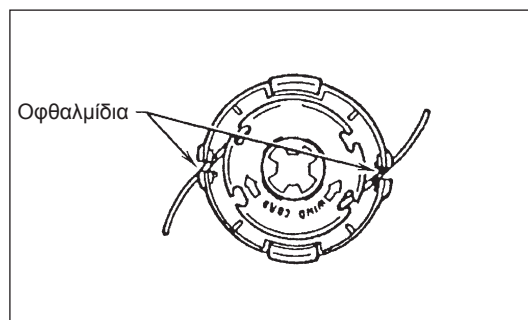
Στη συνέχεια τυλίξτε και τα δυο άκρα γύρω από τον κύλινδρο προς την διεύθυνση περιστροφής της κεφαλής (η αριστερή κατεύθυνση δείχνεται από το LH και η δεξιά κατεύθυνση από το RH στον κύλινδρο).



Τυλίξτε γύρω όλο το νήμα εκτός από ένα μήκος 100 χιλ (3-15/16"), αφήνοντας προσωρινά τα αγκιστρωμένα άκρα μέσα στις εγκοπές στο πλάι του κυλίνδρου.

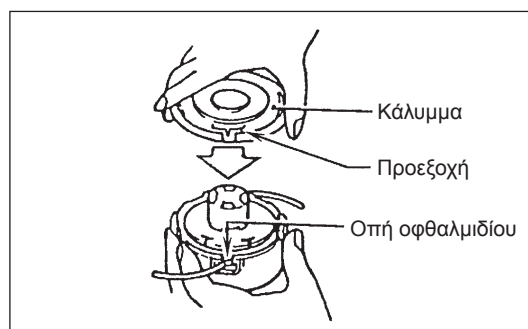


Στερεώστε τον κύλινδρο μέσα στη θήκη έτσι ώστε οι αυλακώσεις και οι προεξοχές του κυλίνδρου να ταιριάζουν με αυτές της θήκης. Να έχετε στην κορυφή την πλευρά με τα γράμματα στον κύλινδρο. Τώρα, απαγκιστρώστε τα άκρα του νήματος από την προσωρινή τους θέση και περάστε τα νήματα μέσα στα οφθαλμίδια για να βγουν έξω από την θήκη.



Ευθυγραμμίστε την προεξοχή στο κάτω μέρος του καλύμματος με τις υποδοχές των οφθαλμιδίων.

Στη συνέχεια σπρώξτε το κάλυμμα καλά πάνω στην θήκη για το ασφαλίσετε.

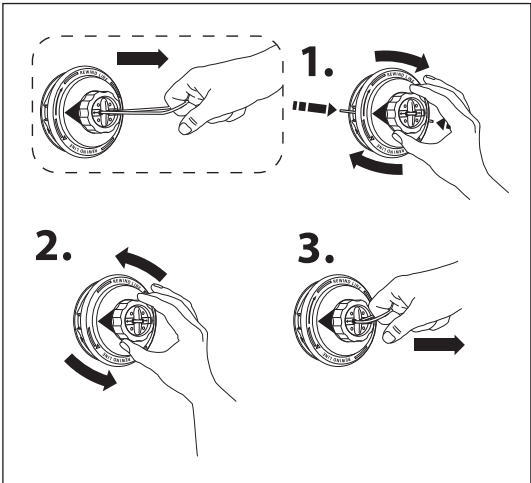


(Για το Proulx)

Πρώτα, σταματήστε τον κινητήρα.

Κρατήστε το κάλυμμα με ασφάλεια και περιστρέψτε το καρούλι δεξιόστροφα μέχρι η υπολειπόμενη νάιλον μεσηνέζα να οπισθοχωρήσει μέσα στο κάλυμμα, και περιστρέψτε προς τα πίσω και προς τα εμπρός για να εκτονωθεί η πίεση στη μεσηνέζα.

Πιάστε το βρόχο στην κορυφή του καρουλιού και τραβήξτε τον από το καρούλι.

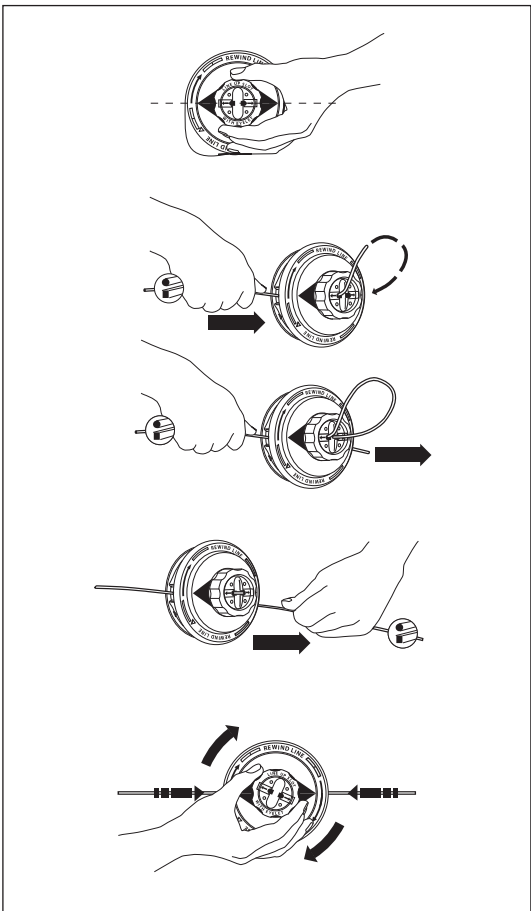


Προετοιμάστε μια νάιλον μεσηνέζα με τις ακόλουθες προδιαγραφές.
Μήκος 4,5 m (15 πόδια)
Στρογγυλή μεσηνέζα 2,4 mm (0,095") ή τετράγωνη μεσηνέζα με διαγώνιο 2,0 mm (0,08").
Ευθυγραμμίστε το βέλος στο καρούλι με τα οφθαλμίδια στο κάλυμμα.

Εισαγάγετε το ένα άκρο της νάιλον μεσηνέζας μέσα στο οφθαλμίδιο στην πλευρά του καλύμματος, τροφοδοτήστε μέσα από την τρύπα στην κορυφή του καρουλιού και στη συνέχεια εκ νέου εισαγάγετε μέσα στη δεύτερη τρύπα στην κορυφή του καρουλιού. Σπρώξτε τη νάιλον μεσηνέζα μέσα στις τρύπες μέχρι η μεσηνέζα να περάσει μέσα από τα οφθαλμίδια στο πλάι του καλύμματος.

Σπρώξτε τη νάιλον μεσηνέζα μέσα στις τρύπες περνώντας μέσα από τα οφθαλμίδια στο πλάι του καλύμματος, μέχρι να επιτευχθεί ίσο μήκος και στις δύο πλευρές.

Κρατήστε το κάλυμμα με ασφάλεια και περιστρέψτε το καρούλι προς τα δεξιά για να τυλίξετε τη νάιλον μεσηνέζα πάνω στο καρούλι.



(Για το B&F4 / Z5)

ΠΡΟΕΙΔΟΠΟΙΗΣΗ: Φροντίστε ώστε το κάλυμμα της νάιλον κοπτικής κεφαλής να είναι στερεωμένο κατάλληλα στη θήκη όπως περιγράφεται παρακάτω. Αν δεν ασφαλίσετε κατάλληλα το κάλυμμα, μπορεί να προκληθεί η εκτόξευση της νάιλον κοπτικής κεφαλής προκαλώντας το σοβαρό προσωπικό τραυματισμό.

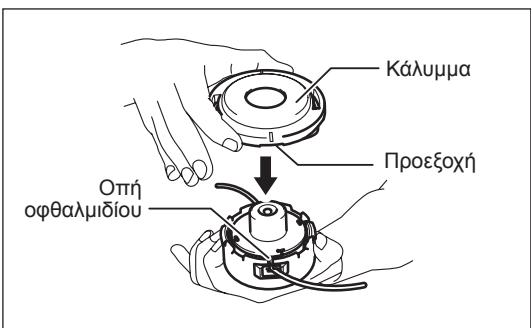
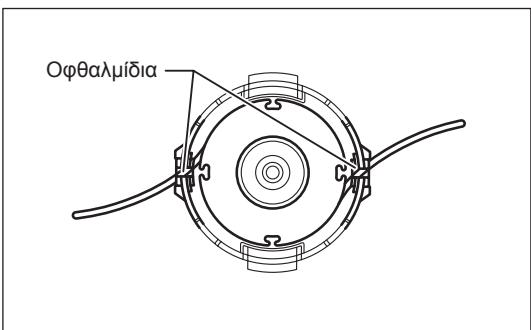
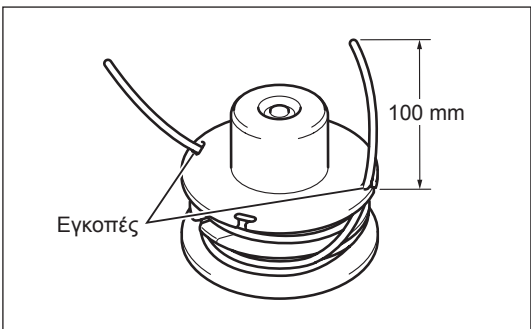
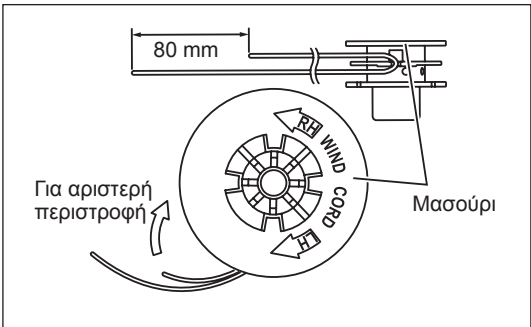
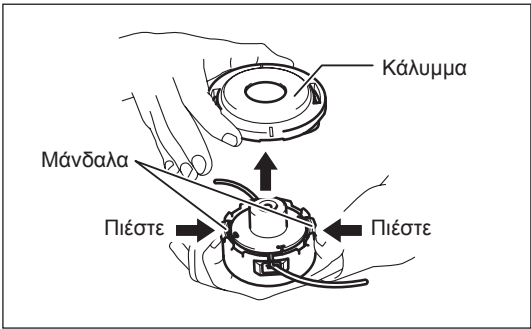
Πιέστε τις εγκοπές στη θήκη προς τα μέσα και ανυψώστε για να αφαιρέσετε το κάλυμμα.
Απορρίψτε την οποιαδήποτε νάιλον μεσηνέζα που έχει απομείνει.

Αγκιστρώστε το κέντρο του καινούργιου νάιλον νήματος στην εγκοπή στο κέντρο του μασουριού ανάμεσα στα 2 κανάλια που παρέχονται για το νάιλον νήμα. Η μια πλευρά του νήματος πρέπει να είναι 80 mm μακρύτερη από την άλλη πλευρά.
Τυλίξτε και τα δυο άκρα καλά γύρω από το μασούρι προς την διεύθυνση που δείχνεται πάνω στην κεφαλή για αριστερόστροφη κατεύθυνση που υποδεικνύεται από το LH.

Τυλίξτε γύρω όλο το νήμα εκτός από ένα μήκος 100 mm, αφήνοντας προσωρινά τα αγκιστρωμένα άκρα μέσα στην εγκοπή στο πλαίσιο του μασουριού.

Στερεώστε το μασούρι μέσα στη θήκη έτσι ώστε οι αυλακώσεις και οι προεξοχές του μασουριού να ταιριάζουν με αυτές της θήκης. Να έχετε στην κορυφή την πλευρά με τα γράμματα στο μασούρι. Τώρα, απαγκιστρώστε τα άκρα του νήματος από την προσωρινή τους θέση και περάστε τα νήματα μέσα στα οφθαλμίδια για να βγουν έξω από την θήκη.

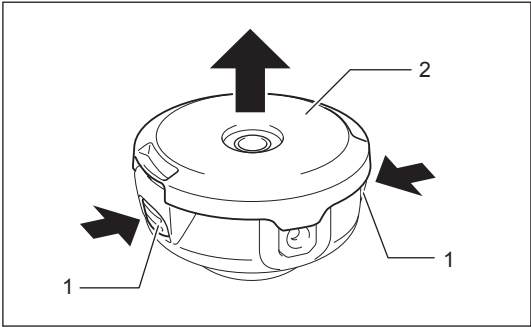
Ταιριάστε την προεξοχή στην κάτω πλευρά του καλύμματος με τις οπές οφθαλμιδίων οφθαλμιδίων.
Στη συνέχεια σπρώξτε το κάλυμμα καλά πάνω στην θήκη για να το ασφαλίσετε. Φροντίστε ώστε τα μάνταλα να εκτίνονται πλήρως πάνω στο κάλυμμα.



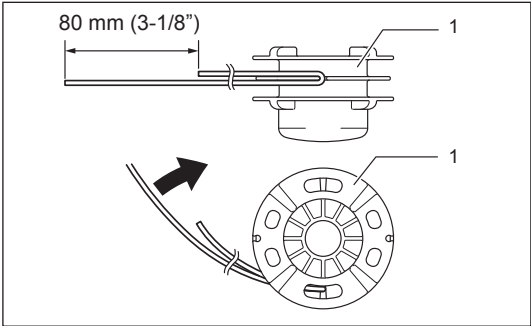
(Για τον τύπο πρόσκρουσης & τροφοδοσίας)

Πρώτα, σταματήστε τον κινητήρα.

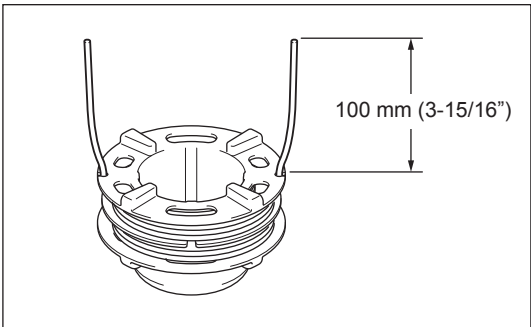
Πιέστε τις εγκοπές στη θήκη (1) προς τα μέσα για να ανυψώσετε το κάλυμμα (2) και στη συνέχεια αφαιρέστε το καρούλι.



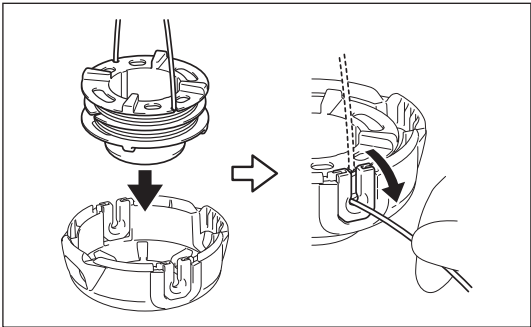
Αγκιστρώστε το κέντρο του καινούργιου νάιλον κοπτικού νήματος στην εγκοπή στο κέντρο του καρουλιού (1), με το ένα άκρο της μεσηνέζας να προεκτείνεται περίπου 80 mm (3 - 1/8") περισσότερο από το άλλο. Στη συνέχεια τυλίξτε και τα δυο άκρα γύρω από το καρούλι προς την διεύθυνση περιστροφής της κεφαλής (η αριστερή κατεύθυνση δείχνεται από το LH στο καρούλι).



Τυλίξτε γύρω όλο το νήμα εκτός από ένα μήκος 100 mm (3 - 15/16"), αφήνοντας προσωρινά τα αγκιστρωμένα άκρα μέσα στις εγκοπές στο πλάι του καρουλιού.

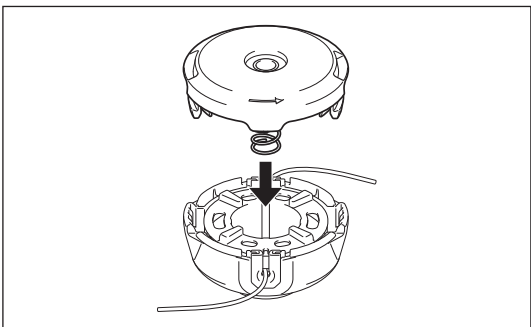


Στερεώστε το καρούλι μέσα στη θήκη έτσι ώστε οι αυλακώσεις και οι προεξοχές στο καρούλι να ταιριάζουν με αυτές στη θήκη. Να έχετε στην κορυφή την πλευρά με τα γράμματα στο καρούλι. Τώρα, απαγκιστρώστε τα άκρα της μεσηνέζας από την προσωρινή τους θέση και περάστε τις μεσηνέζες μέσα στα οφθαλμίδια για να βγουν έξω από την θήκη.



Ταιριάστε την προεξοχή στην κάτω πλευρά του καλύμματος με τις εγκοπές των οφθαλμιδίων.

Στη συνέχεια σπρώξτε το κάλυμμα σταθερά πάνω στο περιβλήμα για να το ασφαλίσετε.



ΑΠΟΘΗΚΕΥΣΗ

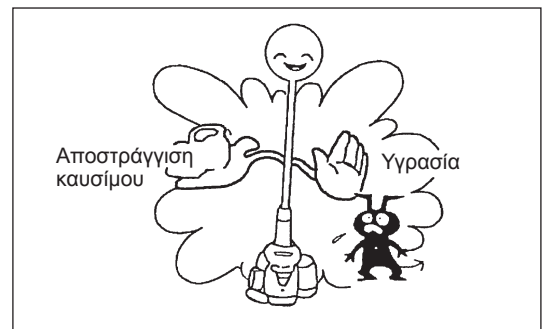


ΠΡΟΕΙΔΟΠΟΙΗΣΗ: Κατά την αποστράγγιση του καυσίμου, φροντίστε να σταματήσετε τον κινητήρα και επιβεβαιώσετε ότι ο κινητήρας έχει κρυώσει. Μετά το σταμάτημα, ο κινητήρας μπορεί να είναι ακόμη ζεστός με την πιθανότητα πρόκλησης εγκαύματος, αναφλεξιμότητας και πυρκαγιάς.



ΠΡΟΣΟΧΗ: Όταν το μηχάνημα πρόκειται να μείνει εκτός λειτουργία για μεγάλο χρονικό διάστημα, αποστραγγίστε όλο το καύσιμο από το ρεζερβουάρ καυσίμου και το καρμπιρατέρ, και στην συνέχεια φυλάξτε το σε ένα ξηρό και καθαρό μέρος.

- Αποστραγγίστε το καύσιμο από το ρεζερβουάρ καυσίμου και το καρμπιρατέρ σύμφωνα με την παρακάτω διαδικασία:
 - 1) Αφαιρέστε το καπάκι του ρεζερβουάρ καυσίμου, και αποστραγγίστε εντελώς το καύσιμο. Εάν υπάρχει το οποιοδήποτε ξένο σώμα μέσα στο ρεζερβουάρ καυσίμου, αφαιρέστε το εντελώς.
 - 2) Τραβήξτε έξω το φίλτρο καυσίμου από την τρύπα ανεφοδιασμού χρησιμοποιώντας ένα σύρμα.
 - 3) Σπρώξτε την αντλία προέγχυσης έως ότου αποστραγγιστεί το καύσιμο από εκεί, και το αποστραγγισμένο καύσιμο να μπει μέσα στο ρεζερβουάρ καυσίμου.
 - 4) Επανατοποθετήστε το φίλτρο στο ρεζερβουάρ καυσίμου, και σφίξτε καλά το καπάκι του ρεζερβουάρ καυσίμου.
 - 5) Στη συνέχεια συνεχίστε να λειτουργείτε τον κινητήρα έως ότου σταματήσει.
- Αφαιρέστε το μπουζί και ρίξτε αρκετές σταγόνες λαδιού κινητήρα μέσα στην τρύπα του μπουζιού.
- Τραβήξτε με προσοχή το χερούλι του εκκινητήρα έτσι ώστε το λάδι του κινητήρα να απλωθεί πάνω από τον κινητήρα και συνδέστε το μπουζί.
- Τοποθετήστε το κάλυμμα στην λεπίδα κοπής.
- Σε γενικές γραμμές, αποθηκεύστε το μηχάνημα σε οριζόντια θέση ή αν αυτό δεν είναι δυνατό, τοποθετήστε το μηχάνημα, έτσι ώστε ο κινητήρας να βρίσκεται κάτω από το εργαλείο κοπής. Σε διαφορετική περίπτωση το λάδι του κινητήρα μπορεί να διαρρέυσει από το εσωτερικό. Δώστε μεγάλη προσοχή στο πως αποθηκεύετε το μηχάνημα για να αποτραπεί η πτώση του μηχανήματος. Διαφορετικά, μπορεί να προκληθεί προσωπικός τραυματισμός.
- Διατηρήστε το αποστραγγισμένο καύσιμο μέσα σε ένα ειδικό δοχείο σε ένα καλά αεριζόμενο χώρο υπό σκιά.



Προσοχή μετά από μια παρατεταμένη αποθήκευση

- Πριν την εκκίνηση μετά από ένα παρατεταμένο διάστημα διακοπής, φροντίστε να αντικαταστήσετε το λάδι (ανατρέξτε στη Σ 243). Το λάδι θα αλλοιωθεί κατά το διάστημα στο οποίο το μηχάνημα δεν βρίσκεται σε λειτουργία.

Εντοπισμός σφάλματος

Σφάλμα	Σύστημα	Παρατήρηση	Αιτία
Ο κινητήρας δεν ξεκινά ή ξεκινά με δυσκολία	Σύστημα ανάφλεξης	Σπινθήρας ανάφλεξης ΕΝΤΑΞΕΙ Δεν υπάρχει σπινθήρας ανάφλεξης	Σφάλμα στην παροχή καυσίμου ή στο σύστημα συμπίεσης, μηχανική βλάβη
	Παροχή καυσίμου	Γεμάτο ρεζερβουάρ	Ο διακόπτης ΣΤΑΣΗΣ είναι ενεργοποιημένος, σφάλμα καλωδίωσης ή βραχυκύκλωμα, ελαττωματικό μπουζί ή σύνδεσμος, βλάβη στο σύστημα ανάφλεξης
	Συμπίεση	Καμιά συμπίεση κατά το τράβηγμα	Λανθασμένη θέση του τσοκ, ελαττωματικό καρμπιρατέρ, σωλήνας παροχής καυσίμου λυγισμένος ή μπλοκαρισμένος, βρώμικο καύσιμο
	Μηχανική βλάβη	Ο εκκινητήρας δεν λειτουργεί	Ελαττωματική η κάτω στεγανοποιητική φλάντζα του κυλίνδρου, φθαρμένα στεγανοποιητικά του στροφαλοφόρου, ελαττωματικοί δακτύλιοι του κυλίνδρου ή του πιστονιού ή ακατάλληλη στεγανοποίηση του μπουζιού
Προβλήματα θερμής εκκίνησης		Γεμάτο το ρεζερβουάρ ύπαρξη σπίθας ανάφλεξης	Σπασμένο ελατήριο του εκκινητήρα, σπασμένα εξαρτήματα μέσα στον κινητήρα
Ο κινητήρας ξεκινά αλλά σβήνει	Παροχή καυσίμου	Ρεζερβουάρ γεμάτο	Ρυπαρό καρμπιρατέρ, καθαρίστε το
			Λανθασμένη ρύθμιση του καρμπιρατέρ, βρώμικο καρμπιρατέρ
			Ελαττωματικό άνοιγμα του ρεζερβουάρ, διακοπή στο σωλήνα παροχής καυσίμου, ελαττωματικό καλώδιο ή διακόπτης ΣΤΑΣΗΣ
Ανεπαρκής απόδοση	Πολλά συστήματα μπορεί να είναι ταυτόχρονα ελαττωματικά	Ανεπαρκές ρελαντί του κινητήρα	Βρώμικο φίλτρο αέρα, βρώμικο καρμπιρατέρ, σιγαστήρας βουλωμένος, αγωγός εξάτμισης βουλωμένος

Στοιχείο	Χρόνος λειτουργίας								Αντίστοιχη Σ
		Πριν τη λειτουργία	Μετά τη λειτουργία	Καθημερινά (10 ώρες)	30 ώρες	50 ώρες	200 ώρες	Σβήσιμο/ διακοπή	
Λάδι κινητήρα	Επιθεώρηση	○							238
	Αντικατάσταση					○*1			243
Σφίξιμο εξαρτημάτων (μπουλόني, παξιμάδι)	Επιθεώρηση	○							246
Ρεζερβουάρ καυσίμου	Καθάρισμα/ επιθεώρηση	○							—
	Αποστράγγιση καυσίμου							○*3	251
Μοχλός γκαζιού	Έλεγχος λειτουργίας		○						—
Διακόπτης διακοπής	Έλεγχος λειτουργίας		○						242
Λάμα κοπής	Επιθεώρηση	○		○					235
Περιστροφή χαμηλής ταχύτητας	Έλεγχος/ ρύθμιση			○					242
Φίλτρο αέρα	Καθαρισμός			○					245
Μπουζί	Επιθεώρηση			○					245
Ψυκτικός αεραγωγός	Καθάρισμα/ επιθεώρηση			○					246
Σωλήνα καυσίμου	Επιθεώρηση			○					246
	Αντικατάσταση						◎*2		—
Γράσο κιβωτίου ταχυτήτων	Ανεφοδιασμός				○				245
Φίλτρο καυσίμου	Καθαρισμός/ αντικατάσταση					○			246
Διάκενο μεταξύ της βαλβίδας εισαγωγής και της βαλβίδας εκκένωσης	Ρύθμιση						◎*2		—
Λεπτομερής επιθεώρηση κινητήρα							◎*2		—
Καρμπιρατέρ	Αποστράγγιση καυσίμου							○*3	251

*1 Εκτελέστε την αρχική αντικατάσταση μετά από 20 ώρες λειτουργίας.

*2 Για την επιθεώρηση των 200 ωρών, απευθυνθείτε σε ένα Εξουσιοδοτημένο Αντιπρόσωπο του Σέρβις ή σε ένα συνεργείο.

*3 Μετά το άδειασμα του ρεζερβουάρ καυσίμου, συνεχίστε τη λειτουργία του κινητήρα για την αποστράγγιση του καυσίμου στο καρμπιρατέρ.

ΕΠΙΛΥΣΗ ΠΡΟΒΛΗΜΑΤΩΝ

Πριν ζητήσετε βοήθεια για επισκευές, ελέγξτε το πρόβλημα μόνοι σας. Εάν βρεθεί κάποια ανωμαλία, χειριστείτε το μηχανήμα σας σύμφωνα με τα όσα περιγράφονται σε αυτό το εγχειρίδιο. Ποτέ μην προσπαθήσετε να αποσυναρμολογήσετε το οποιοδήποτε εξάρτημα ενάντια σε όσα περιγράφονται. Για επισκευές, ελάτε σε επαφή με τον Εξουσιοδοτημένο Αντιπρόσωπο του Σέρβις ή την τοπική αντιπροσωπεία.

Κατάσταση προβλήματος	Πιθανή αιτία (δυσλειτουργία)	Αποκατάσταση
Ο κινητήρας δεν ξεκινά	Αστοχία λειτουργίας της αντλίας προέγχυσης	Σπρώξτε 7 με 10 φορές
	Χαμηλή ταχύτητα τραβήγματος του κορδονιού του εκκινήτηρα	Τραβήξτε πιο δυνατά
	Έλλειψη καυσίμου	Προσθέστε καύσιμο
	Βουλωμένο φίλτρο καυσίμου	Καθαρίστε
	Λυγισμένος σωλήνας καυσίμου	Ισιώστε το σωλήνα καυσίμου
	Αλλοιωμένο καύσιμο	Το αλλοιωμένο καύσιμο καθιστά την εκκίνηση πιο δύσκολη. Αντικαταστήστε με ένα καινούργιο. (Συνιστώμενη αντικατάσταση: 1 μήνα)
	Υπερβολική αναρρόφηση καυσίμου	Τοποθετήστε το μοχλό του γκαζιού από την ενδιάμεση ταχύτητα στην υψηλή ταχύτητα και τραβήξτε τον χερούλι του εκκινήτηρα έως ότου να ξεκινήσει ο κινητήρας. Όταν ξεκινήσει ο κινητήρας, η λάμα κοπής αρχίζει να περιστρέφεται. Δώστε μεγάλη προσοχή στην λεπίδα κοπής. Εάν ο κινητήρας δεν ξεκινά ακόμη, αφαιρέστε το μπουζί, στεγνώστε το ηλεκτρόδιο, και επανατοποθετήστε τα στην αρχική τους θέση. Στη συνέχεια, ξεκινήστε όπως έχει καθοριστεί προηγουμένως.
	Αποσυνδεδεμένο καπάκι μπουζιού	Συνδέστε το καλά
	Ρυπαρό μπουζί	Καθαρίστε
	Μη φυσιολογικό διάκενο του μπουζιού	Ρυθμίστε το διάκενο
	Άλλη ανωμαλία του μπουζιού	Αντικαταστήστε
	Μη φυσιολογικό καρμπιρατέρ	Ζητήστε την επιθεώρηση και την συντήρηση.
	Το κορδόνι του εκκινήτηρα δεν μπορεί να τραβηχτεί	Ζητήστε την επιθεώρηση και την συντήρηση.
Μη φυσιολογικό σύστημα μετάδοσης	Ζητήστε την επιθεώρηση και την συντήρηση.	
Ο κινητήρας σταματά γρήγορα Η ταχύτητα του κινητήρα δεν αυξάνεται	Ανεπαρκές ζέσταμα	Εκτελέστε την λειτουργία προθέρμανσης
	Ο μοχλός του τσοκ είναι τοποθετημένος στο "ΚΛΕΙΣΤΟ" παρότι έχει ζεσταθεί ο κινητήρας.	Τοποθετήστε στο "ΑΝΟΙΚΤΟ"
	Βουλωμένο φίλτρο καυσίμου	Καθαρισμός ή αντικατάσταση
	Ρυπαρό ή βουλωμένο φίλτρο αέρα	Καθαρίστε
	Μη φυσιολογικό καρμπιρατέρ	Ζητήστε την επιθεώρηση και την συντήρηση.
	Μη φυσιολογικό σύστημα μετάδοσης	Ζητήστε την επιθεώρηση και την συντήρηση.
Η λάμα κοπής δεν περιστρέφεται	Ξεσφιγμένη λάμα κοπής-παξιμάδι σύσφιξης	Σφίξτε καλά
↓		
Σταματήστε τον κινητήρα αμέσως	Κλαδάκια πιάστηκαν από την λάμα κοπής ή το κάλυμμα αποτροπής διασποράς.	Αφαιρέστε τα ξένα σώματα
	Μη φυσιολογικό σύστημα μετάδοσης	Ζητήστε την επιθεώρηση και την συντήρηση.
Η κύρια μονάδα υφίσταται ανώμαλη δόνηση	Σπασμένη, λυγισμένη ή φθαρμένη λάμα κοπής	Αντικαταστήστε την λάμα κοπής
↓		
Σταματήστε τον κινητήρα αμέσως	Ξεσφιγμένη λάμα κοπής-παξιμάδι σύσφιξης	Σφίξτε καλά
	Μετατόπιση του κυρτού τμήματος της λάμας κοπής και του υποστηρικτικού εξαρτήματος της λάμας κοπής.	Συνδέστε το καλά
	Μη φυσιολογικό σύστημα μετάδοσης	Ζητήστε την επιθεώρηση και την συντήρηση.
Η λάμα κοπής δεν σταματά αμέσως	Υψηλή περιστροφή του ρελαντί	Ρυθμίστε
↓		
Σταματήστε τον κινητήρα αμέσως	Αποσυνδεδεμένο καλώδιο γκαζιού	Συνδέστε το καλά
	Μη φυσιολογικό σύστημα μετάδοσης	Ζητήστε την επιθεώρηση και την συντήρηση.
Ο κινητήρας δεν σταματά	Αποκολλημένος συνδετήρας	Συνδέστε τον καλά
↓		
Λειτουργήστε τον κινητήρα στο ρελαντί και τοποθετήστε τον μοχλό του τσοκ στο ΚΛΕΙΣΤΟ	Μη φυσιολογικό ηλεκτρικό σύστημα	Ζητήστε την επιθεώρηση και την συντήρηση.

Όταν ο κινητήρας δεν ξεκινά μετά την λειτουργία προθέρμανσης:

Εάν δεν υπάρχει καμιά ανωμαλία στα σημεία ελέγχου, ανοίξτε το γκάζι περίπου στο 1/3 και ξεκινήστε τον κινητήρα.

Makita Europe N.V. Jan-Baptist Vinkstraat 2,
3070 Kortenberg, Belgium

Makita Corporation 3-11-8, Sumiyoshi-cho,
Anjo, Aichi 446-8502 Japan