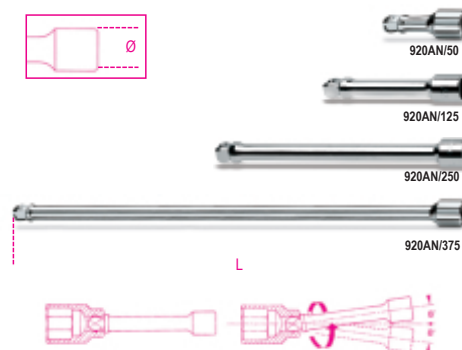


920AN
prolunghe con attacchi quadri maschio e femmina 1/2" angolari, cromate
1/2"


art.	art.	L mm	Ø mm	□	■	g
009200833	920AN/50	50	22	1/2	1/2	87
009200834	920AN/125	125	22	1/2	1/2	160
009200835	920AN/250	250	22	1/2	1/2	300
009200836	920AN/375	375	22	1/2	1/2	437,4