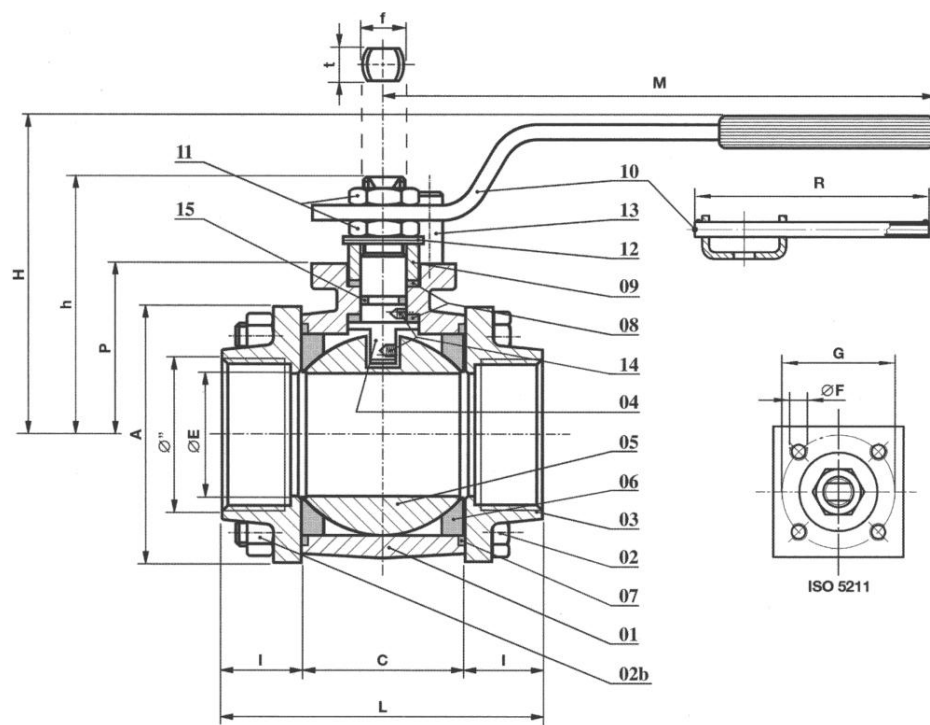




3 Pieces Alfa 24K

3 PIECES ALFA 24K

ALFA 24K PN40-64 FULL BORE



SCARTAMENTO DIN 3202 M3
FACE TO FACE ACCORDING TO DIN 3202 M3
ENGOMBREMENT SELON DIN 3202 M3
BAUANGE DIN 3202 M3

ACCOPPIAMENTO VALVOLA / ATTUATORE.
COUPLING VALVE / ACTUATOR.
ACCOMPLÈMENT VANNE / ACTIONNEUR.
ANTRIEB / KUGELHAHN KUPPLUNG.

Log In

DIMENSIONS

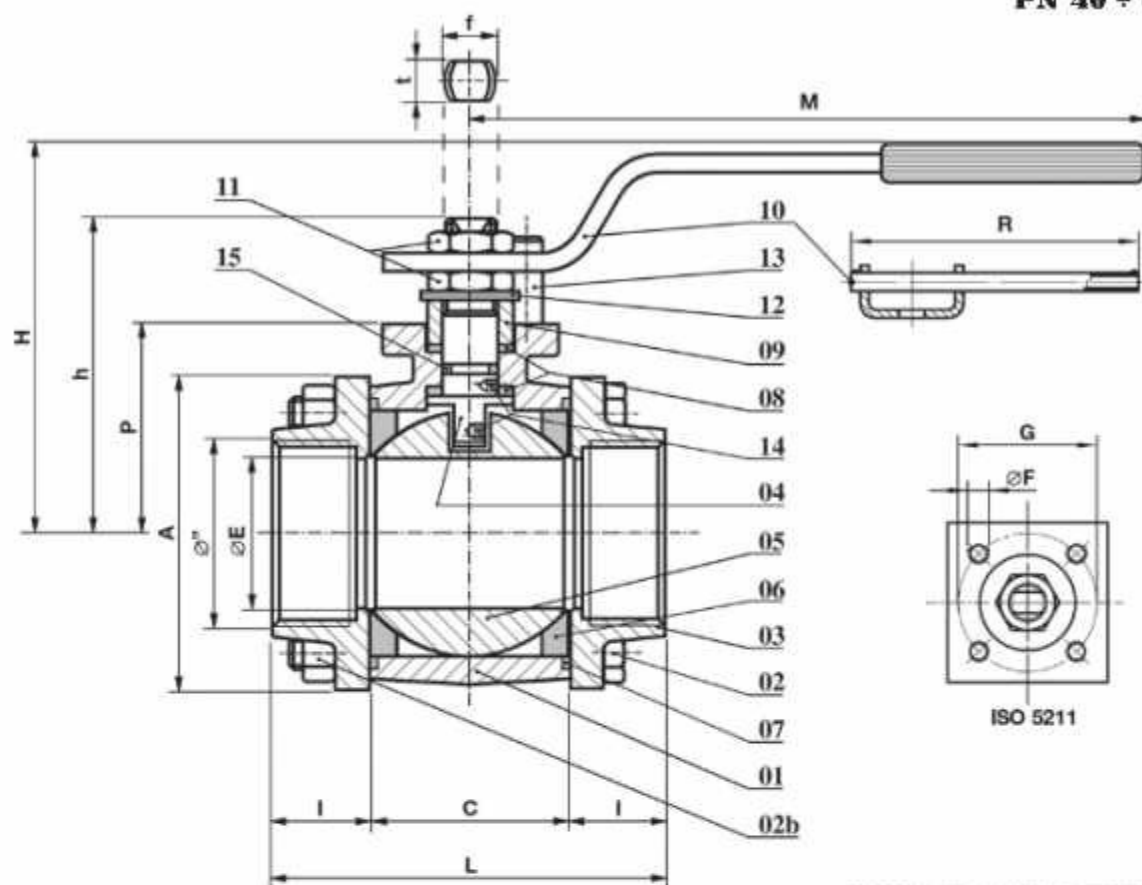
DN	06	10	15	20	25	32	40	50	65	80	100
Ø"	¼"	3/8"	½"	¾"	1"	1 ¼"	1.½"	2"	2 ½"	3"	4"
ØE	10	10	14	19	24	29	38	48	64	76	95

L (GAS/NPT)	50	60	75	80	90	110	120	140	185	205	240
L (B.W./S.W.)											
M I R	145/-	145/-	150/-	150/-	185/-	185/-	275/-	275/-	380/-	380/-	440/500
H	53	53	84	87	95	99	118	125	143	149	185

BALL VALVES
FULL BORE

ALFA 24K

PN 40 + 63



ACCOPPIAMENTO VALVOLA / ATTUATORE.
COUPLING VALVE / ACTUATOR.
ACCOMPLEMENT VANNE / ACTIONNEUR.
ANTRIEB / KUGELHAHN KUPPLUNG.

SCARTAMENTO DIN 3202 M3
FACE TO FACE ACCORDING TO DIN 3202 M3
ENG OMBREMENT SELON DIN 3202 M3
BALLANGE DIN 3202 M3

DIMENSIONI - DIMENSIONS - DIMENSIONS - ABMESSUNGEN

DN	06	10	15	20	25	32	40	50	65	80	100
\varnothing	1/4"	3/8"	1/2"	3/4"	1"	1.1/4"	1.1/2"	2"	2.1/2"	3"	4"
$\varnothing E$	10	10	14	19	24	29	38	48	64	76	96
L (GAS/NP)	50	60	75	80	90	110	120	140	185	205	240
L (R.W.S.W)	50	60	75	80	90	110	120	140	185	205	240
M/R	145 / -	145 / -	150 / -	150 / -	185 / -	185 / -	275 / -	275 / -	380 / -	380 / -	440 / 500
H	53	53	84	87	96	99	118	125	143	149	185
h	40.5	40.5	62	54	69	72	95	101	122	127	151
P	25	25	33	36	43	48	63	67	82	88.5	105
A	38	38	47	53.5	61	67.5	82	96	120	184	216
C	20	20	26	31	36	42	52	64	90	100	125
I	15	20	24.5	24.5	27.5	34	34	38	47.5	52.5	67.5
i/A	8/5.7	8/5.7	10/6	10/6	12/8	12/8	16/10	16/10	22/14	22/14	30/18
02/02b	4M5X40	4M5X40	4M5X50	4M5X55	4M5X65	4M5X75	4M10X90	4M10X105	4M12X135	4M14X150	4M14X180
Kg.	0.42	0.45	0.76	0.98	1.43	2.00	3.50	5.30	11.30	15.00	25.00
PN	64	64	64	64	64	64	64	40	40	40	40
ISO 5211	F03	F03	F03	F03	F03	F03	F05	F05	F07	F07	F10
$\varnothing F$	M5	M5	M5	M5	M5	M5	M6	M6	M8	M8	M10
G	36	36	36	36	36	36	50	50	70	70	102