

# Electrical Position Indicator

with inductive proximity switches

## Construction

The GEMÜ 1214 electrical position indicator can be used for pneumatically operated linear actuators. GEMÜ 1214 has a corrosion resistant plastic housing and is designed for actuator strokes up to 70 mm. It has one or two inductive proximity switches with integrated LED indication. The position indicator spindle has a positive direct connection with the valve actuator without axial play. The electrical connection is via PG 13.5 cable gland.

## Features

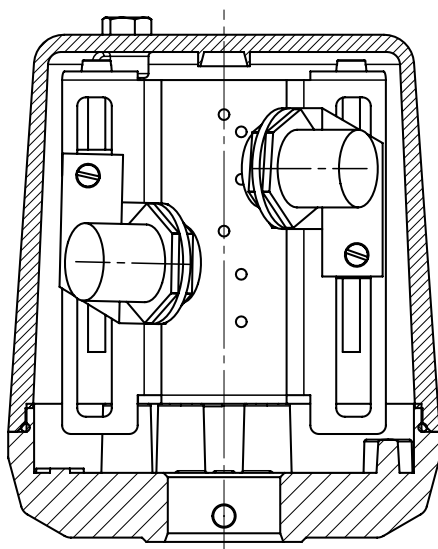
- Inductive proximity switch with LED indication (depended on version)
- Both proximity switches can be continuously and precisely adjusted, independently of each other, via threaded spindles
- Indicator can be rotated through 360°
- Customer-specified connectors available as an option

## Advantages

- Simple mounting and retrofitting to GEMÜ valves by means of a threaded rod
- Compact design in a stable housing
- The switches are not subject to wear, contactless detection
- Protection class IP 65 to EN 60529



Sectional drawing



## Technical data

### Operating conditions

Setting range of limit switch	2 - 70 mm continuous
Ambient temperature	-20° ... +60°C
Protection class	IP 65 EN 60529

### Materials

Housing cover, Polysulfone	PSU
Housing base, Polyamide, 25% glass fiber	PA 6.6
Guide piece	1.4305
Operating spindle	1.4104
Damping piece	1.4104

### Electrical connection

PG 13.5 cable gland	1 x available 1 x prepared
Cable diameter	6.5 to 12 mm
Recommended cross section of wire	0.75 mm <sup>2</sup>

### Switch 2-wire NAMUR (code 203)

Switch type	Inductive proximity switch
Rated switching interval	5 mm ± 10%
Rated voltage	8 V Namur
Rated current, undamped	≥ 3 mA
Rated current, damped	< 1 mA
Max. switching frequency	500 Hz

### Switch PNP 3-wire (code 304)

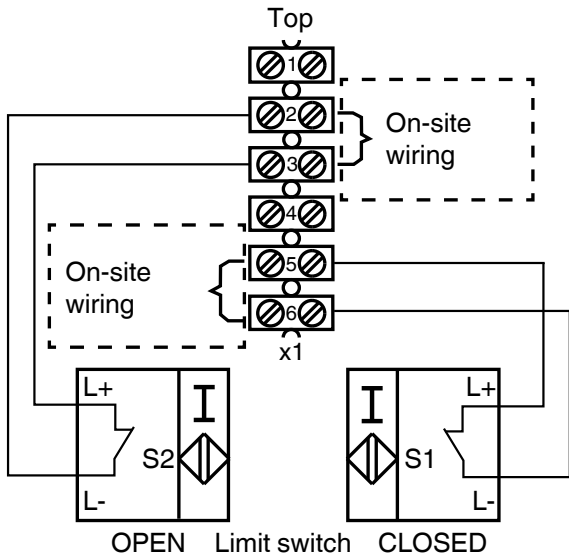
Operating voltage	10 - 30 V DC including residual ripple
Rated switching interval	5 mm ± 10%
No-load current	< 8 mA
Residual current	0.1 mA
Voltage drop under resistive load	< 2.5 V
Hysteresis	≤ 10%
Output capability of switching current	< 200 mA
Category	DC 13
Overload	short circuit-proof

## Availability table

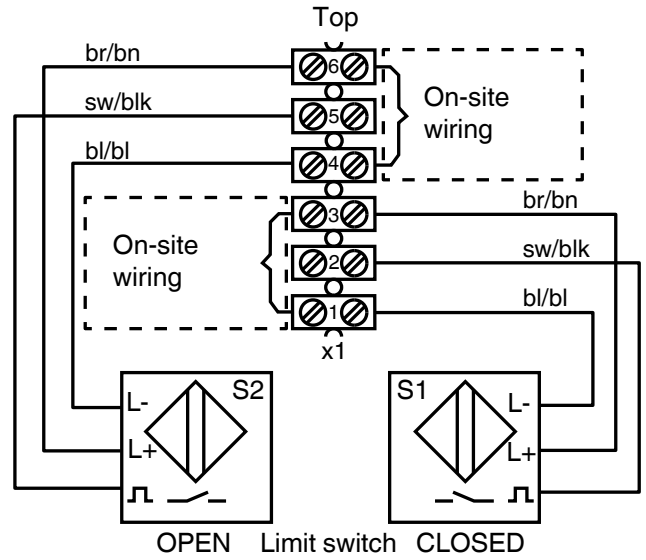
	Function	Switch	Electrical connection	Connection diagram
NAMUR	OPEN/CLOSED (Code A00) OPEN (Code A01) CLOSED (Code A02)	2-wire NAMUR (Code 203)	PG 13.5 cable gland (Code 3001)	Code 201
			Skintop cable gland (Code 3003)	
Standard	OPEN/CLOSED, PNP (Code A30) OPEN (Code A31) CLOSED (Code A32)	PNP 3-wire (Code 304)	PG 13.5 cable gland (Code 3001)	Code 301
			Skintop cable gland (Code 3003)	
			M12 plug, 4-pin (Code 3011)	Code 309

## Connection diagrams

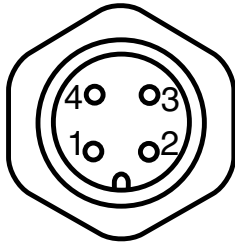
### Terminal block, NAMUR (code 201)



### Terminal block, PNP (code 301)

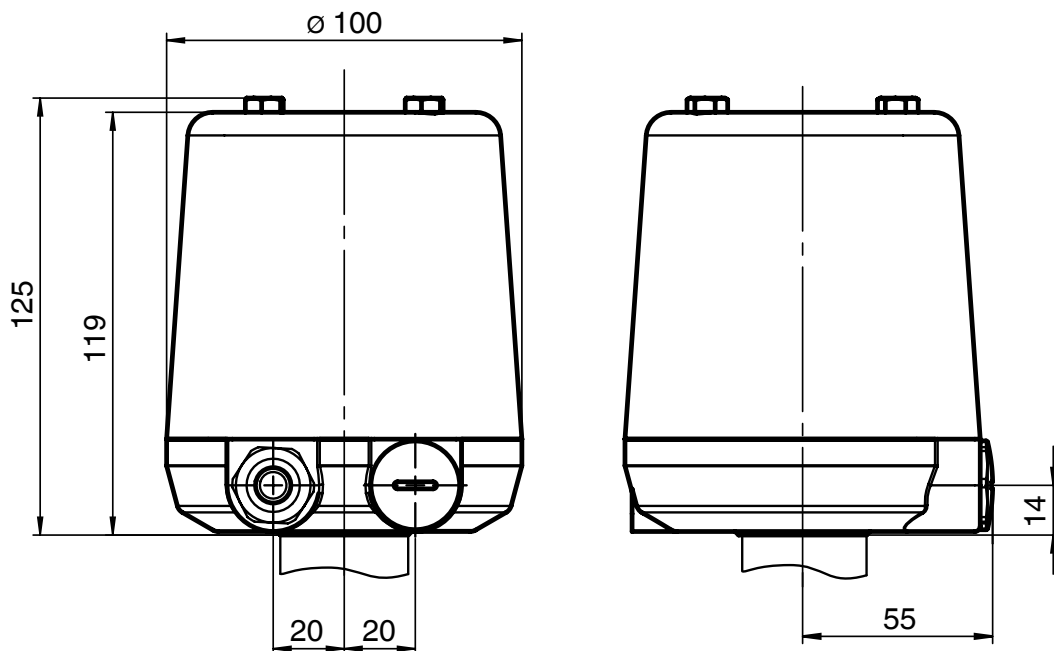


### M12 plug, 4-pin (code 309)



PIN	Standard
1	L1/L+, supply voltage
2	Us, signal end position CLOSED
3	N/L-, supply voltage
4	Us, signal end position OPEN

### Dimensions [mm]



## Order data

Field bus	Code
Without	000

Function	Code
OPEN/CLOSED NAMUR	A00
OPEN NAMUR	A01
CLOSED NAMUR	A02
OPEN/CLOSED PNP	A30
OPEN PNP	A31
CLOSED PNP	A32

Switches	Code
2-wire NAMUR	203
PNP 3-wire	304

Electrical connection	Code
PG 13.5 cable gland	3001
Skintop cable gland	3003
M12 plug, 4-pin	3011
Further connections on request	

Connection diagram	Code
Terminal block, NAMUR	201
Terminal block, PNP	301
M12 plug, 4-pin	309

Order example	1214	000	Z	A30	304	3001	301
Type	1214						
Field bus (code)		000					
Accessories			Z				
Function (code)				A30			
Switch (code)					304		
Electrical connection (code)						3001	
Connection diagram (code)							301

**Please order mounting kit 1214S01Z... separately with reference to the particular valve type!**

When ordering please specify the complete valve type key, e. g. Type 1214 000 Z A30 304 3001 301 for mounting to GEMÜ valve 690/20 D 0114-1  
 For possible combinations see table of availability in the section Technical data.