

**CORPO LEVA**

Lega di zinco pressofusa, rivestimento resina epossidica, colore arancio, rosso, grigio, nero, finitura mat.

**ESECUZIONI STANDARD**

- **ERM-A:** elemento di serraggio con foro filettato e vite di ritegno in acciaio brunito. Molla di richiamo in acciaio.
- **ERM-SST:** elemento di serraggio con foro filettato e vite di ritegno in acciaio INOX AISI 303. Molla di richiamo in acciaio INOX AISI 301.
- **ERM-p:** elemento di serraggio con vite filettata e vite di ritegno in acciaio brunito. Molla di richiamo in acciaio.
- **ERM-SST-p:** elemento di serraggio con vite filettata e vite di ritegno in acciaio INOX AISI 303. Molla di richiamo in acciaio INOX AISI 301. Vite di ritegno con cava esalobata per utensile TORX®\*

**CARATTERISTICHE E APPLICAZIONI**

Particolarmente indicate quando l'angolo di manovra è limitato per motivi di ingombro.

**ESECUZIONI SPECIALI A RICHIESTA**

- Corpo leva in colori diversi.
- Leva cromata.
- Elemento di serraggio con foro liscio.

**ISTRUZIONI D'USO**

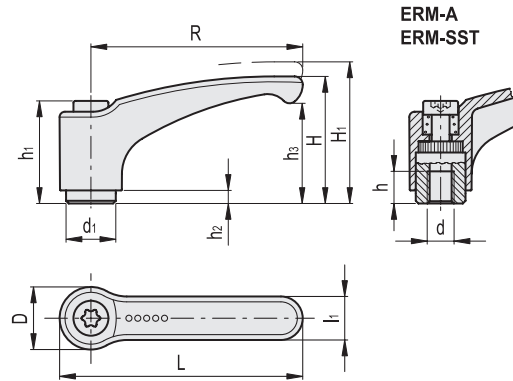
Per la ripresa durante il serraggio sollevare la leva per disimpegnare la dentatura dell'elemento di serraggio e riportarla nella posizione di partenza. Rilasciando la leva, la molla di richiamo rimette automaticamente in presa la dentatura.

Quando non sia possibile una rotazione della leva di 360°, l'elemento di serraggio può essere facilmente avvitato (dopo aver disinserito la leva), operando sulla vite di testa con cava esalobata.

\* Marchio registrato della TEXTRON INC



ERGOSTYLE® ELESA Original design



\* Completare con l'indice del colore della leva es.: 240002-C2 ERM.44 A-M4-C2

- C2** RAL2004
- C6** RAL3000
- C8** RAL9006
- C9** RAL9005

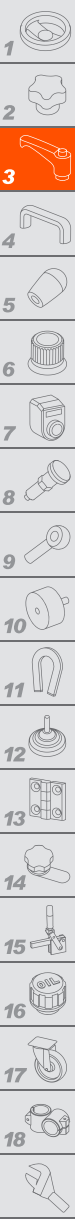
**ERM-A**

Codice	Descrizione	R	d	L	D	H	H1	h	h1	h2	h3	d1	l1	N. denti	⚖
240002-*	ERM.44 A-M4-*	44	M4	52	14.5	30	33	8	24.5	3.5	20.5	10	11	18	16
240003-*	ERM.44 A-M5-*	44	M5	52	14.5	30	33	8	24.5	3.5	20.5	10	11	18	16
240004-*	ERM.44 A-M6-*	44	M6	52	14.5	30	33	8	24.5	3.5	20.5	10	11	18	15
240014-*	ERM.63 A-M6-*	63	M6	73.5	18	38	41	10	31	3.5	27	13.5	13.5	24	36
240015-*	ERM.63 A-M8-*	63	M8	73.5	18	38	41	10	31	3.5	27	13.5	13.5	24	34
240025-*	ERM.78 A-M8-*	78	M8	90.5	21.5	46	50	14	36	3.5	34.5	16	16	26	61
240026-*	ERM.78 A-M10-*	78	M10	90.5	21.5	46	50	14	36	3.5	34.5	16	16	26	55
240036-*	ERM.95 A-M10-*	95	M10	109	25	56	61	17	43	5	42	19.5	18	28	93
240037-*	ERM.95 A-M12-*	95	M12	109	25	56	61	17	43	5	42	19.5	18	28	86

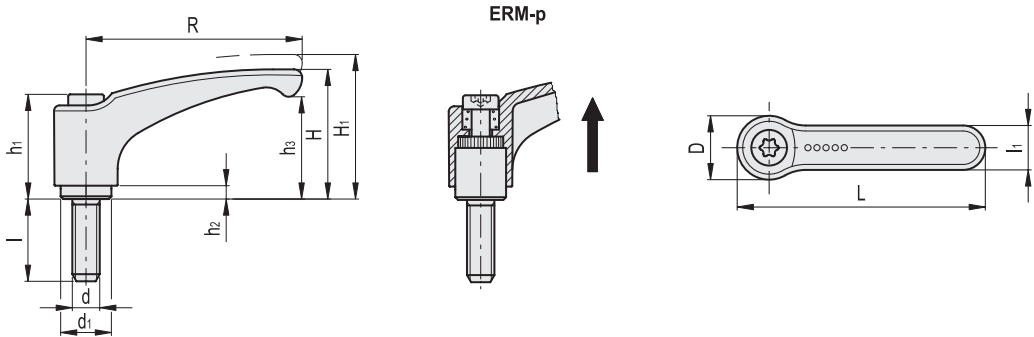
**ERM-SST**

INOX STAINLESS STEEL

Codice	Descrizione	R	d	L	D	H	H1	h	h1	h2	h3	d1	l1	N. denti	⚖
241002-*	ERM.44 SST-A-M4-*	44	M4	52	14.5	30	33	8	24.5	3.5	20.5	10	11	18	16
241003-*	ERM.44 SST-A-M5-*	44	M5	52	14.5	30	33	8	24.5	3.5	20.5	10	11	18	15
241014-*	ERM.63 SST-A-M6-*	63	M6	73.5	18	38	41	10	31	3.5	27	13.5	13.5	24	36
241015-*	ERM.63 SST-A-M8-*	63	M8	73.5	18	38	41	10	31	3.5	27	13.5	13.5	24	34
241025-*	ERM.78 SST-A-M8-*	78	M8	90.5	21.5	46	50	14	36	3.5	34.5	16	16	26	61
241026-*	ERM.78 SST-A-M10-*	78	M10	90.5	21.5	46	50	14	36	3.5	34.5	16	16	26	55
241036-*	ERM.95 SST-A-M10-*	95	M10	109	25	56	61	17	43	5	42	19.5	18	28	93
241037-*	ERM.95 SST-A-M12-*	95	M12	109	25	56	61	17	43	5	42	19.5	18	28	86



Maniglie di serraggio



\* Completare con l'indice del colore della leva es.: 240103-C2 ERM.44 p-M4x12-C2

**C2**  
 RAL2004

**C6**  
 RAL3000

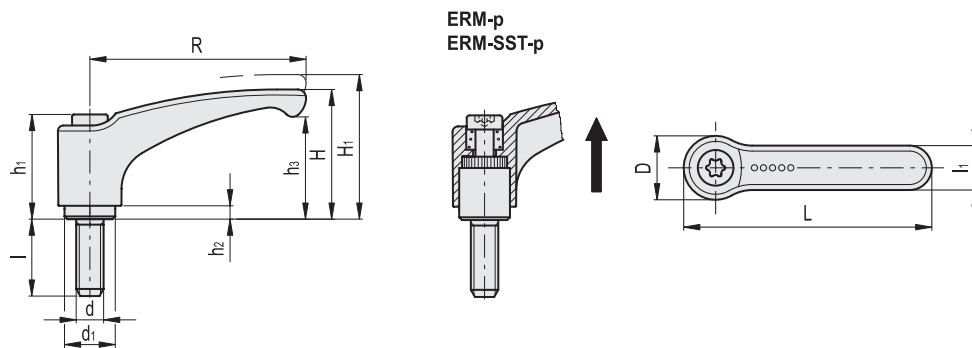
**C8**  
 RAL9006

**C9**  
 RAL9005

ERM-p

Codice	Descrizione	R	d	L	D	H	H1	h1	h2	h3	d1	l	l1	N. denti	⚖
240103.*	ERM.44 p-M4x12-*	44	M4	52	14.5	30	33	24.5	3.5	20.5	10	12	11	18	15
240105.*	ERM.44 p-M4x16-*	44	M4	52	14.5	30	33	24.5	3.5	20.5	10	16	11	18	16
240107.*	ERM.44 p-M4x20-*	44	M4	52	14.5	30	33	24.5	3.5	20.5	10	20	11	18	17
240109.*	ERM.44 p-M4x25-*	44	M4	52	14.5	30	33	24.5	3.5	20.5	10	25	11	18	18
240111.*	ERM.44 p-M4x32-*	44	M4	52	14.5	30	33	24.5	3.5	20.5	10	32	11	18	19
240133.*	ERM.44 p-M5x12-*	44	M5	52	14.5	30	33	24.5	3.5	20.5	10	12	11	18	17
240135.*	ERM.44 p-M5x16-*	44	M5	52	14.5	30	33	24.5	3.5	20.5	10	16	11	18	18
240137.*	ERM.44 p-M5x20-*	44	M5	52	14.5	30	33	24.5	3.5	20.5	10	20	11	18	19
240139.*	ERM.44 p-M5x25-*	44	M5	52	14.5	30	33	24.5	3.5	20.5	10	25	11	18	20
240141.*	ERM.44 p-M5x32-*	44	M5	52	14.5	30	33	24.5	3.5	20.5	10	32	11	18	21
240143.*	ERM.44 p-M5x40-*	44	M5	52	14.5	30	33	24.5	3.5	20.5	10	40	11	18	22
240145.*	ERM.44 p-M5x50-*	44	M5	52	14.5	30	33	24.5	3.5	20.5	10	50	11	18	23
240153.*	ERM.44 p-M6x12-*	44	M6	52	14.5	30	33	24.5	3.5	20.5	10	12	11	18	19
240155.*	ERM.44 p-M6x16-*	44	M6	52	14.5	30	33	24.5	3.5	20.5	10	16	11	18	20
240157.*	ERM.44 p-M6x20-*	44	M6	52	14.5	30	33	24.5	3.5	20.5	10	20	11	18	21
240159.*	ERM.44 p-M6x25-*	44	M6	52	14.5	30	33	24.5	3.5	20.5	10	25	11	18	22
240161.*	ERM.44 p-M6x32-*	44	M6	52	14.5	30	33	24.5	3.5	20.5	10	32	11	18	23
240163.*	ERM.44 p-M6x40-*	44	M6	52	14.5	30	33	24.5	3.5	20.5	10	40	11	18	24
240165.*	ERM.44 p-M6x50-*	44	M6	52	14.5	30	33	24.5	3.5	20.5	10	50	11	18	25
240233.*	ERM.63 p-M6x12-*	63	M6	73.5	18	38	41	31	3.5	27	13.5	12	13.5	24	47
240235.*	ERM.63 p-M6x16-*	63	M6	73.5	18	38	41	31	3.5	27	13.5	16	13.5	24	49
240237.*	ERM.63 p-M6x20-*	63	M6	73.5	18	38	41	31	3.5	27	13.5	20	13.5	24	55
240239.*	ERM.63 p-M6x25-*	63	M6	73.5	18	38	41	31	3.5	27	13.5	25	13.5	24	57
240241.*	ERM.63 p-M6x32-*	63	M6	73.5	18	38	41	31	3.5	27	13.5	32	13.5	24	61
240243.*	ERM.63 p-M6x40-*	63	M6	73.5	18	38	41	31	3.5	27	13.5	40	13.5	24	68
240245.*	ERM.63 p-M6x50-*	63	M6	73.5	18	38	41	31	3.5	27	13.5	50	13.5	24	77
240247.*	ERM.63 p-M6x63-*	63	M6	73.5	18	38	41	31	3.5	27	13.5	63	13.5	24	79
240251.*	ERM.63 p-M8x12-*	63	M8	73.5	18	38	41	31	3.5	27	13.5	12	13.5	24	40
240253.*	ERM.63 p-M8x16-*	63	M8	73.5	18	38	41	31	3.5	27	13.5	16	13.5	24	41
240255.*	ERM.63 p-M8x20-*	63	M8	73.5	18	38	41	31	3.5	27	13.5	20	13.5	24	42
240257.*	ERM.63 p-M8x25-*	63	M8	73.5	18	38	41	31	3.5	27	13.5	25	13.5	24	43
240259.*	ERM.63 p-M8x32-*	63	M8	73.5	18	38	41	31	3.5	27	13.5	32	13.5	24	44
240261.*	ERM.63 p-M8x40-*	63	M8	73.5	18	38	41	31	3.5	27	13.5	40	13.5	24	46
240263.*	ERM.63 p-M8x50-*	63	M8	73.5	18	38	41	31	3.5	27	13.5	50	13.5	24	48
240265.*	ERM.63 p-M8x63-*	63	M8	73.5	18	38	41	31	3.5	27	13.5	63	13.5	24	51
240273.*	ERM.63 p-M10x20-*	63	M10	73.5	18	38	41	31	3.5	27	13.5	20	13.5	24	42
240275.*	ERM.63 p-M10x25-*	63	M10	73.5	18	38	41	31	3.5	27	13.5	25	13.5	24	43
240277.*	ERM.63 p-M10x32-*	63	M10	73.5	18	38	41	31	3.5	27	13.5	32	13.5	24	45
240279.*	ERM.63 p-M10x40-*	63	M10	73.5	18	38	41	31	3.5	27	13.5	40	13.5	24	47
240281.*	ERM.63 p-M10x50-*	63	M10	73.5	18	38	41	31	3.5	27	13.5	50	13.5	24	52
240283.*	ERM.63 p-M10x63-*	63	M10	73.5	18	38	41	31	3.5	27	13.5	63	13.5	24	53
240285.*	ERM.63 p-M10x80-*	63	M10	73.5	18	38	41	31	3.5	27	13.5	80	13.5	24	57

Maniglie di serraggio

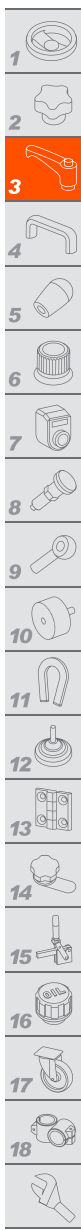


\* Completare con l'indice del colore della leva es.: 240103-C2 ERM.44 p-M4x12-C2

**C2** RAL2004      **C6** RAL3000      **C8** RAL9006      **C9** RAL9005

**ERM-p**

Codice	Descrizione	R	d	L	D	H	H1	h1	h2	h3	d1	l	l1	N. denti	⚖
240333*	ERM.78 p-M8x16*	78	M8	90.5	21.5	46	50	36	3.5	34.5	16	16	16	26	70
240335*	ERM.78 p-M8x20*	78	M8	90.5	21.5	46	50	36	3.5	34.5	16	20	16	26	73
240337*	ERM.78 p-M8x25*	78	M8	90.5	21.5	46	50	36	3.5	34.5	16	25	16	26	76
240339*	ERM.78 p-M8x32*	78	M8	90.5	21.5	46	50	36	3.5	34.5	16	32	16	26	81
240341*	ERM.78 p-M8x40*	78	M8	90.5	21.5	46	50	36	3.5	34.5	16	40	16	26	86
240343*	ERM.78 p-M8x50*	78	M8	90.5	21.5	46	50	36	3.5	34.5	16	50	16	26	88
240345*	ERM.78 p-M8x63*	78	M8	90.5	21.5	46	50	36	3.5	34.5	16	63	16	26	94
240347*	ERM.78 p-M8x80*	78	M8	90.5	21.5	46	50	36	3.5	34.5	16	80	16	26	97
240351*	ERM.78 p-M10x16*	78	M10	90.5	21.5	46	50	36	3.5	34.5	16	16	16	26	82
240353*	ERM.78 p-M10x20*	78	M10	90.5	21.5	46	50	36	3.5	34.5	16	20	16	26	85
240355*	ERM.78 p-M10x25*	78	M10	90.5	21.5	46	50	36	3.5	34.5	16	25	16	26	91
240357*	ERM.78 p-M10x32*	78	M10	90.5	21.5	46	50	36	3.5	34.5	16	32	16	26	98
240359*	ERM.78 p-M10x40*	78	M10	90.5	21.5	46	50	36	3.5	34.5	16	40	16	26	108
240361*	ERM.78 p-M10x50*	78	M10	90.5	21.5	46	50	36	3.5	34.5	16	50	16	26	120
240363*	ERM.78 p-M10x63*	78	M10	90.5	21.5	46	50	36	3.5	34.5	16	63	16	26	124
240365*	ERM.78 p-M10x80*	78	M10	90.5	21.5	46	50	36	3.5	34.5	16	80	16	26	127
240373*	ERM.78 p-M12x25*	78	M12	90.5	21.5	46	50	36	3.5	34.5	16	25	16	26	109
240375*	ERM.78 p-M12x32*	78	M12	90.5	21.5	46	50	36	3.5	34.5	16	32	16	26	118
240377*	ERM.78 p-M12x40*	78	M12	90.5	21.5	46	50	36	3.5	34.5	16	40	16	26	130
240379*	ERM.78 p-M12x50*	78	M12	90.5	21.5	46	50	36	3.5	34.5	16	50	16	26	144
240381*	ERM.78 p-M12x63*	78	M12	90.5	21.5	46	50	36	3.5	34.5	16	63	16	26	149
240383*	ERM.78 p-M12x80*	78	M12	90.5	21.5	46	50	36	3.5	34.5	16	80	16	26	152
240423*	ERM.95 p-M10x16*	95	M10	109	25	56	61	43	5	42	19	16	18	28	111
240425*	ERM.95 p-M10x20*	95	M10	109	25	56	61	43	5	42	19	20	18	28	113
240427*	ERM.95 p-M10x25*	95	M10	109	25	56	61	43	5	42	19	25	18	28	115
240429*	ERM.95 p-M10x32*	95	M10	109	25	56	61	43	5	42	19	32	18	28	118
240431*	ERM.95 p-M10x40*	95	M10	109	25	56	61	43	5	42	19	40	18	28	121
240433*	ERM.95 p-M10x50*	95	M10	109	25	56	61	43	5	42	19	50	18	28	128
240435*	ERM.95 p-M10x63*	95	M10	109	25	56	61	43	5	42	19	63	18	28	133
240437*	ERM.95 p-M10x80*	95	M10	109	25	56	61	43	5	42	19	80	18	28	141
240447*	ERM.95 p-M12x16*	95	M12	109	25	56	61	43	5	42	19	16	18	28	113
240449*	ERM.95 p-M12x20*	95	M12	109	25	56	61	43	5	42	19	20	18	28	117
240451*	ERM.95 p-M12x25*	95	M12	109	25	56	61	43	5	42	19	25	18	28	122
240453*	ERM.95 p-M12x32*	95	M12	109	25	56	61	43	5	42	19	32	18	28	125
240455*	ERM.95 p-M12x40*	95	M12	109	25	56	61	43	5	42	19	40	18	28	132
240457*	ERM.95 p-M12x50*	95	M12	109	25	56	61	43	5	42	19	50	18	28	141
240459*	ERM.95 p-M12x63*	95	M12	109	25	56	61	43	5	42	19	63	18	28	151
240461*	ERM.95 p-M12x80*	95	M12	109	25	56	61	43	5	42	19	80	18	28	160
240473*	ERM.95 p-M16x25*	95	M16	109	25	56	61	43	5	42	19	25	18	28	139
240475*	ERM.95 p-M16x32*	95	M16	109	25	56	61	43	5	42	19	32	18	28	146
240477*	ERM.95 p-M16x40*	95	M16	109	25	56	61	43	5	42	19	40	18	28	154
240479*	ERM.95 p-M16x50*	95	M16	109	25	56	61	43	5	42	19	50	18	28	171
240481*	ERM.95 p-M16x63*	95	M16	109	25	56	61	43	5	42	19	63	18	28	184
240483*	ERM.95 p-M16x80*	95	M16	109	25	56	61	43	5	42	19	80	18	28	199



Maniglie di serraggio




\* Completare con l'indice del colore della leva es.: 241133-C2 ERM.44 SST-p-M5x12-C2

 C2  C6  C8  C9  
RAL2004 RAL3000 RAL9006 RAL9005

**INOX** STAINLESS STEEL

### ERM-SST-p

Codice	Descrizione	R	d	L	D	H	H1	h1	h2	h3	d1	l	l1	N. denti	
241133-*	ERM.44 SST-p-M5x12-*	44	M5	52	14.5	30	33	24.5	3.5	20.5	10	12	11	18	17
241135-*	ERM.44 SST-p-M5x16-*	44	M5	52	14.5	30	33	24.5	3.5	20.5	10	16	11	18	18
241137-*	ERM.44 SST-p-M5x20-*	44	M5	52	14.5	30	33	24.5	3.5	20.5	10	20	11	18	19
241139-*	ERM.44 SST-p-M5x25-*	44	M5	52	14.5	30	33	24.5	3.5	20.5	10	25	11	18	20
241141-*	ERM.44 SST-p-M5x32-*	44	M5	52	14.5	30	33	24.5	3.5	20.5	10	32	11	18	21
241143-*	ERM.44 SST-p-M5x40-*	44	M5	52	14.5	30	33	24.5	3.5	20.5	10	40	11	18	22
241145-*	ERM.44 SST-p-M5x50-*	44	M5	52	14.5	30	33	24.5	3.5	20.5	10	50	11	18	23
241153-*	ERM.44 SST-p-M6x12-*	44	M6	52	14.5	30	33	24.5	3.5	20.5	10	12	11	18	19
241155-*	ERM.44 SST-p-M6x16-*	44	M6	52	14.5	30	33	24.5	3.5	20.5	10	16	11	18	20
241157-*	ERM.44 SST-p-M6x20-*	44	M6	52	14.5	30	33	24.5	3.5	20.5	10	20	11	18	21
241159-*	ERM.44 SST-p-M6x25-*	44	M6	52	14.5	30	33	24.5	3.5	20.5	10	25	11	18	22
241161-*	ERM.44 SST-p-M6x32-*	44	M6	52	14.5	30	33	24.5	3.5	20.5	10	32	11	18	23
241163-*	ERM.44 SST-p-M6x40-*	44	M6	52	14.5	30	33	24.5	3.5	20.5	10	40	11	18	24
241165-*	ERM.44 SST-p-M6x50-*	44	M6	52	14.5	30	33	24.5	3.5	20.5	10	50	11	18	25
241235-*	ERM.63 SST-p-M6x16-*	63	M6	73.5	18	38	41	31	3.5	27	13.5	16	13.5	24	49
241237-*	ERM.63 SST-p-M6x20-*	63	M6	73.5	18	38	41	31	3.5	27	13.5	20	13.5	24	55
241239-*	ERM.63 SST-p-M6x25-*	63	M6	73.5	18	38	41	31	3.5	27	13.5	25	13.5	24	57
241241-*	ERM.63 SST-p-M6x32-*	63	M6	73.5	18	38	41	31	3.5	27	13.5	32	13.5	24	61
241243-*	ERM.63 SST-p-M6x40-*	63	M6	73.5	18	38	41	31	3.5	27	13.5	40	13.5	24	68
241245-*	ERM.63 SST-p-M6x50-*	63	M6	73.5	18	38	41	31	3.5	27	13.5	50	13.5	24	77
241247-*	ERM.63 SST-p-M6x63-*	63	M6	73.5	18	38	41	31	3.5	27	13.5	63	13.5	24	79
241253-*	ERM.63 SST-p-M8x16-*	63	M8	73.5	18	38	41	31	3.5	27	13.5	16	13.5	24	59
241255-*	ERM.63 SST-p-M8x20-*	63	M8	73.5	18	38	41	31	3.5	27	13.5	20	13.5	24	66
241257-*	ERM.63 SST-p-M8x25-*	63	M8	73.5	18	38	41	31	3.5	27	13.5	25	13.5	24	69
241259-*	ERM.63 SST-p-M8x32-*	63	M8	73.5	18	38	41	31	3.5	27	13.5	32	13.5	24	73
241261-*	ERM.63 SST-p-M8x40-*	63	M8	73.5	18	38	41	31	3.5	27	13.5	40	13.5	24	82
241263-*	ERM.63 SST-p-M8x50-*	63	M8	73.5	18	38	41	31	3.5	27	13.5	50	13.5	24	92
241265-*	ERM.63 SST-p-M8x63-*	63	M8	73.5	18	38	41	31	3.5	27	13.5	63	13.5	24	95
241335-*	ERM.78 SST-p-M8x20-*	78	M8	90.5	21.5	46	50	36	3.5	34.5	16	20	16	26	69
241337-*	ERM.78 SST-p-M8x25-*	78	M8	90.5	21.5	46	50	36	3.5	34.5	16	25	16	26	75
241339-*	ERM.78 SST-p-M8x32-*	78	M8	90.5	21.5	46	50	36	3.5	34.5	16	32	16	26	80
241341-*	ERM.78 SST-p-M8x40-*	78	M8	90.5	21.5	46	50	36	3.5	34.5	16	40	16	26	88
241343-*	ERM.78 SST-p-M8x50-*	78	M8	90.5	21.5	46	50	36	3.5	34.5	16	50	16	26	98
241345-*	ERM.78 SST-p-M8x63-*	78	M8	90.5	21.5	46	50	36	3.5	34.5	16	63	16	26	101
241347-*	ERM.78 SST-p-M8x80-*	78	M8	90.5	21.5	46	50	36	3.5	34.5	16	80	16	26	104
241353-*	ERM.78 SST-p-M10x20-*	78	M10	90.5	21.5	46	50	36	3.5	34.5	16	20	16	26	85
241355-*	ERM.78 SST-p-M10x25-*	78	M10	90.5	21.5	46	50	36	3.5	34.5	16	25	16	26	91
241357-*	ERM.78 SST-p-M10x32-*	78	M10	90.5	21.5	46	50	36	3.5	34.5	16	32	16	26	98
241359-*	ERM.78 SST-p-M10x40-*	78	M10	90.5	21.5	46	50	36	3.5	34.5	16	40	16	26	108
241361-*	ERM.78 SST-p-M10x50-*	78	M10	90.5	21.5	46	50	36	3.5	34.5	16	50	16	26	120
241363-*	ERM.78 SST-p-M10x63-*	78	M10	90.5	21.5	46	50	36	3.5	34.5	16	63	16	26	124
241365-*	ERM.78 SST-p-M10x80-*	78	M10	90.5	21.5	46	50	36	3.5	34.5	16	80	16	26	127
241425-*	ERM.95 SST-p-M10x20-*	95	M10	109	25	56	61	43	5	42	19	20	18	28	113
241427-*	ERM.95 SST-p-M10x25-*	95	M10	109	25	56	61	43	5	42	19	25	18	28	115
241429-*	ERM.95 SST-p-M10x32-*	95	M10	109	25	56	61	43	5	42	19	32	18	28	118
241431-*	ERM.95 SST-p-M10x40-*	95	M10	109	25	56	61	43	5	42	19	40	18	28	121
241433-*	ERM.95 SST-p-M10x50-*	95	M10	109	25	56	61	43	5	42	19	50	18	28	128
241435-*	ERM.95 SST-p-M10x63-*	95	M10	109	25	56	61	43	5	42	19	63	18	28	133
241437-*	ERM.95 SST-p-M10x80-*	95	M10	109	25	56	61	43	5	42	19	80	18	28	141
241449-*	ERM.95 SST-p-M12x20-*	95	M12	109	25	56	61	43	5	42	19	20	18	28	117
241451-*	ERM.95 SST-p-M12x25-*	95	M12	109	25	56	61	43	5	42	19	25	18	28	122
241453-*	ERM.95 SST-p-M12x32-*	95	M12	109	25	56	61	43	5	42	19	32	18	28	125
241455-*	ERM.95 SST-p-M12x40-*	95	M12	109	25	56	61	43	5	42	19	40	18	28	132
241457-*	ERM.95 SST-p-M12x50-*	95	M12	109	25	56	61	43	5	42	19	50	18	28	141
241459-*	ERM.95 SST-p-M12x63-*	95	M12	109	25	56	61	43	5	42	19	63	18	28	151
241461-*	ERM.95 SST-p-M12x80-*	95	M12	109	25	56	61	43	5	42	19	80	18	28	160